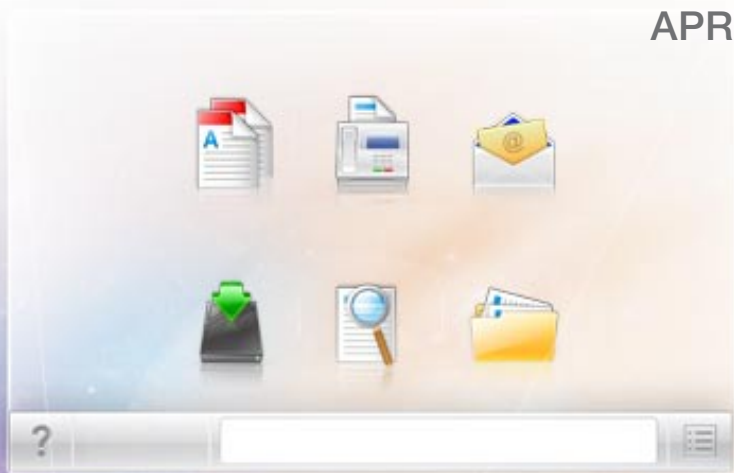


Lexmark @productguide

APRIL 2013



LEXMARK[™]

Table of contents

PRODUCT OVERVIEW

| | |
|------------|----|
| Monochrome | 4 |
| Color | 12 |

MONOCHROME LASER

| | |
|------------------|----|
| Lexmark MS310d | 16 |
| Lexmark MS310dn | 18 |
| Lexmark MS410d | 20 |
| Lexmark MS410dn | 22 |
| Lexmark MS510dn | 24 |
| Lexmark MS610dn | 26 |
| Lexmark MS610dtn | 28 |
| Lexmark MS610de | 30 |
| Lexmark MS610dte | 32 |
| Lexmark MS710dn | 34 |
| Lexmark MS711dn | 36 |
| Lexmark MS810n | 38 |
| Lexmark MS810dn | 40 |
| Lexmark MS810dtn | 42 |
| Lexmark MS810de | 44 |
| Lexmark MS811n | 46 |
| Lexmark MS811dn | 48 |
| Lexmark MS811dtn | 50 |
| Lexmark MS812dn | 52 |
| Lexmark MS812dtn | 54 |
| Lexmark MS812de | 56 |
| Lexmark W850n | 58 |
| Lexmark W850dn | 60 |

COLOR LASER

| | |
|------------------|-----|
| Lexmark CS310n | 62 |
| Lexmark CS310dn | 64 |
| Lexmark CS410n | 66 |
| Lexmark CS410dn | 68 |
| Lexmark CS410dtn | 70 |
| Lexmark CS510de | 72 |
| Lexmark CS510dte | 74 |
| Lexmark C746n | 76 |
| Lexmark C746dn | 78 |
| Lexmark C746dtn | 80 |
| Lexmark C748e | 82 |
| Lexmark C748de | 84 |
| Lexmark C748dte | 86 |
| Lexmark C792e | 88 |
| Lexmark C792de | 90 |
| Lexmark C792dte | 92 |
| Lexmark C792dhe | 94 |
| Lexmark C925de | 96 |
| Lexmark C925dte | 98 |
| Lexmark C950de | 100 |

MULTIFUNCTION MONOCHROME LASER

| | |
|-------------------|-----|
| Lexmark MX310dn | 102 |
| Lexmark MX410de | 104 |
| Lexmark MX510de | 106 |
| Lexmark MX511de | 108 |
| Lexmark MX511dhe | 110 |
| Lexmark MX511dte | 112 |
| Lexmark MX610de | 114 |
| Lexmark MX611de | 116 |
| Lexmark MX611dte | 118 |
| Lexmark MX611dhe | 120 |
| Lexmark MX710de | 122 |
| Lexmark MX710dhe | 124 |
| Lexmark MX711de | 126 |
| Lexmark MX711dhe | 128 |
| Lexmark MX711dthe | 130 |
| Lexmark MX810de | 132 |
| Lexmark MX810dte | 134 |
| Lexmark MX810dfe | 136 |
| Lexmark MX810dme | 138 |
| Lexmark MX810dtfe | 140 |
| Lexmark MX810dtme | 142 |
| Lexmark MX810dxe | 144 |
| Lexmark MX810dxfe | 146 |
| Lexmark MX810dxme | 148 |
| Lexmark MX811de | 150 |
| Lexmark MX811dte | 152 |

| | |
|---|-----|
| Lexmark MX811dfe | 154 |
| Lexmark MX811dtfe | 156 |
| Lexmark MX811dme | 158 |
| Lexmark MX811dtme | 160 |
| Lexmark MX811dxe | 162 |
| Lexmark MX811dxfe | 164 |
| Lexmark MX811dxme | 166 |
| Lexmark MX812de | 168 |
| Lexmark MX812dte | 170 |
| Lexmark MX812dfe | 172 |
| Lexmark MX812dtfe | 174 |
| Lexmark MX812dme | 176 |
| Lexmark MX812dtme | 178 |
| Lexmark MX812dxe | 180 |
| Lexmark MX812dxfe | 182 |
| Lexmark MX812dxme | 184 |
| Lexmark X860de 3 | 186 |
| Lexmark X860de 4 | 188 |
| Lexmark X862dte 3 | 190 |
| Lexmark X862dte 4 | 192 |
| Lexmark X864dne 3 | 194 |
| Lexmark X864dne 4 | 196 |
| MULTIFUNCTION COLOR LASER | |
| Lexmark CX310n | 198 |
| Lexmark CX310dn | 200 |
| Lexmark CX410e | 202 |
| Lexmark CX410de | 204 |
| Lexmark CX410dte | 206 |
| Lexmark CX510de | 208 |
| Lexmark CX510dfe | 210 |
| Lexmark CX510dtfe | 212 |
| Lexmark X746de | 214 |
| Lexmark X748de | 216 |
| Lexmark X748dte | 218 |
| Lexmark X792de | 220 |
| Lexmark X792dte | 222 |
| Lexmark X792dtfe | 224 |
| Lexmark X792dtme | 226 |
| Lexmark X792dtpe | 228 |
| Lexmark X792dtse | 230 |
| Lexmark X925de | 232 |
| Lexmark X950dfe | 234 |
| Lexmark X952dte | 236 |
| Lexmark X954dhe | 238 |
| DOT MATRIX | |
| Lexmark Forms Printer 2580+ | 240 |
| Lexmark Forms Printer 2580n+ | 242 |
| Lexmark Forms Printer 2581+ | 244 |
| Lexmark Forms Printer 2581n+ | 246 |
| Lexmark Forms Printer 2590+ | 248 |
| Lexmark Forms Printer 2590n+ | 250 |
| Lexmark Forms Printer 2591+ | 252 |
| Lexmark Forms Printer 2591n+ | 254 |
| CONNECTIVITY - APPLICATION SOLUTIONS | |
| Forms and Bar Code Card | 256 |
| PrintCrypton™ Application Solution | 258 |
| IPDS and SCS / TNe Application Solution | 260 |
| Lexmark Print Servers | 261 |
| MarkVision Professional | 266 |
| COMPATIBILITY | |
| Lexmark Compatibility Table and Options | 268 |
| SUPPLIES | |
| Lexmark Supplies Compatibility Table | 284 |
| SERVICES | |
| Lexmark Standard Service Offerings | 294 |
| Lexmark Maintenance Kit | 296 |

Monochrome



MONOCHROME LASER



Lexmark MS310d

■ ■ ■ Up to 35 ppm



Lexmark MS310dn

■ ■ ■ Up to 35 ppm



Lexmark MS410d

■ ■ ■ Up to 40 ppm



Lexmark MS410dn

■ ■ ■ Up to 40 ppm



Lexmark MS510dn

■ ■ ■ Up to 45 ppm



Lexmark MS711dn

■ ■ ■ Up to 55 ppm



Lexmark MS810n

■ ■ ■ Up to 55 ppm



Lexmark MS810dn

■ ■ ■ Up to 55 ppm



Lexmark MS810dtn

■ ■ ■ Up to 55 ppm



Lexmark MS810de

■ ■ ■ Up to 55 ppm



Lexmark MS812de

■ ■ ■ Up to 70 ppm



11x17

Lexmark W850n

■ ■ ■ Up to 50 ppm



11x17

Lexmark W850dn

■ ■ ■ Up to 50 ppm





Lexmark MS610dn
 ■■■ Up to 50 ppm



Lexmark MS610dtn
 ■■■ Up to 50 ppm



Lexmark MS610de
 ■■■ Up to 50 ppm



Lexmark MS610dte
 ■■■ Up to 50 ppm



Lexmark MS710dn
 ■■■ Up to 50 ppm



Lexmark MS811n
 ■■■ Up to 63 ppm



Lexmark MS811dn
 ■■■ Up to 63 ppm



Lexmark MS811dtn
 ■■■ Up to 63 ppm



Lexmark MS812dn
 ■■■ Up to 70 ppm



Lexmark MS812dtn
 ■■■ Up to 70 ppm

Monochrome



MULTIFUNCTION LASER



Lexmark MX310dn

■ ■ ■ Up to 35 ppm



Lexmark MX410de

■ ■ ■ Up to 40 ppm



Lexmark MX510de

■ ■ ■ Up to 45 ppm



Lexmark MX511de

■ ■ ■ Up to 45 ppm



Lexmark MX511dhe

■ ■ ■ Up to 45 ppm



Lexmark MX710de

■ ■ ■ Up to 63 ppm



Lexmark MX710dhe

■ ■ ■ Up to 63 ppm



Lexmark MX711de

■ ■ ■ Up to 70 ppm



Lexmark MX711dhe

■ ■ ■ Up to 70 ppm



Lexmark MX711dthe

■ ■ ■ Up to 70 ppm



Lexmark MX810dtme

■ ■ ■ Up to 55 ppm



Lexmark MX810dxe

■ ■ ■ Up to 55 ppm



Lexmark MX810dxfe

■ ■ ■ Up to 55 ppm



Lexmark MX810dxme

■ ■ ■ Up to 55 ppm



Lexmark MX811de

■ ■ ■ Up to 63 ppm



Lexmark MX511dte

■ ■ ■ Up to 45 ppm



Lexmark MX610de

■ ■ ■ Up to 50 ppm



Lexmark MX611de

■ ■ ■ Up to 50 ppm



Lexmark MX611dte

■ ■ ■ Up to 50 ppm



Lexmark MX611dhe

■ ■ ■ Up to 50 ppm



Lexmark MX810de

■ ■ ■ Up to 55 ppm



Lexmark MX810dte

■ ■ ■ Up to 55 ppm



Lexmark MX810dfe

■ ■ ■ Up to 55 ppm



Lexmark MX810dme

■ ■ ■ Up to 55 ppm



Lexmark MX810dtfe

■ ■ ■ Up to 55 ppm



Lexmark MX811dte

■ ■ ■ Up to 63 ppm



Lexmark MX811dfe

■ ■ ■ Up to 63 ppm



Lexmark MX811dtfe

■ ■ ■ Up to 63 ppm



Lexmark MX811dme

■ ■ ■ Up to 63 ppm



Lexmark MX811dtme

■ ■ ■ Up to 63 ppm

Monochrome



MULTIFUNCTION LASER



Lexmark MX811dxe

■ ■ ■ Up to 63 ppm



Lexmark MX811dxfe

■ ■ ■ Up to 63 ppm



Lexmark MX811dxme

■ ■ ■ Up to 63 ppm



Lexmark MX812de

■ ■ ■ Up to 70 ppm



Lexmark MX812dte

■ ■ ■ Up to 70 ppm



Lexmark MX812dxfe

■ ■ ■ Up to 70 ppm



Lexmark MX812dxme

■ ■ ■ Up to 70 ppm



11x17

Lexmark X860de 3

■ ■ ■ Up to 35 ppm



11x17

Lexmark X860de 4

■ ■ ■ Up to 35 ppm



11x17

Lexmark X862dte 3

■ ■ ■ Up to 45 ppm



Lexmark MX812dfe

■ ■ ■ Up to 70 ppm



Lexmark MX812dtfe

■ ■ ■ Up to 70 ppm



Lexmark MX812dme

■ ■ ■ Up to 70 ppm



Lexmark MX812dtme

■ ■ ■ Up to 70 ppm



Lexmark MX812dxe

■ ■ ■ Up to 70 ppm



Lexmark X862dte 4

■ ■ ■ Up to 45 ppm



Lexmark X864dhe 3

■ ■ ■ Up to 55 ppm



Lexmark X864dhe 4

■ ■ ■ Up to 55 ppm

Monochrome



DOT MATRIX



Lexmark Forms Printer 2580+

■ 9-Pin Dot Matrix

Lexmark Forms Printer 2580n+

■ 9-Pin Dot Matrix

Lexmark Forms Printer 2581+

■ 9-Pin Dot Matrix

Lexmark Forms Printer 2581n+

■ 9-Pin Dot Matrix

Lexmark Forms Printer 2590+

■ 24-Pin Dot Matrix



Lexmark Forms Printer
2590n+

■ 24-Pin Dot Matrix

Lexmark Forms Printer
2591+

■ 24-Pin Dot Matrix

Lexmark Forms Printer
2591n+

■ 24-Pin Dot Matrix



COLOR LASER



Lexmark CS310n

■ ■ ■ Up to 25 ppm

■ ■ ■ Up to 25 ppm



Lexmark CS310dn

■ ■ ■ Up to 25 ppm

■ ■ ■ Up to 25 ppm



Lexmark CS410n

■ ■ ■ Up to 32 ppm

■ ■ ■ Up to 32 ppm



Lexmark CS410dn

■ ■ ■ Up to 32 ppm

■ ■ ■ Up to 32 ppm



Lexmark CS410dtn

■ ■ ■ Up to 32 ppm

■ ■ ■ Up to 32 ppm



Lexmark C748e

■ ■ ■ Up to 35 ppm

■ ■ ■ Up to 35 ppm



Lexmark C748de

■ ■ ■ Up to 35 ppm

■ ■ ■ Up to 35 ppm



Lexmark C748dte

■ ■ ■ Up to 35 ppm

■ ■ ■ Up to 35 ppm



Lexmark C792e

■ ■ ■ Up to 50 ppm

■ ■ ■ Up to 50 ppm



Lexmark C792de

■ ■ ■ Up to 50 ppm

■ ■ ■ Up to 50 ppm



Lexmark CS510de

■ ■ ■ Up to 32 ppm

■ ■ ■ Up to 32 ppm



Lexmark CS510dte

■ ■ ■ Up to 32 ppm

■ ■ ■ Up to 32 ppm



Lexmark C746n

■ ■ ■ Up to 35 ppm

■ ■ ■ Up to 35 ppm



Lexmark C746dn

■ ■ ■ Up to 35 ppm

■ ■ ■ Up to 35 ppm



Lexmark C746dtn

■ ■ ■ Up to 35 ppm

■ ■ ■ Up to 35 ppm



Lexmark C792dte

■ ■ ■ Up to 50 ppm

■ ■ ■ Up to 50 ppm



Lexmark C792dhe

■ ■ ■ Up to 50 ppm

■ ■ ■ Up to 50 ppm



Lexmark C925de

■ ■ ■ Up to 30 ppm

■ ■ ■ Up to 30 ppm



Lexmark C925dte

■ ■ ■ Up to 30 ppm

■ ■ ■ Up to 30 ppm



Lexmark C950de

■ ■ ■ Up to 50 ppm

■ ■ ■ Up to 45 ppm



MULTIFUNCTION LASER



Lexmark CX310n

■ ■ ■ Up to 25 ppm

■ ■ ■ Up to 25 ppm



Lexmark CX310dn

■ ■ ■ Up to 25 ppm

■ ■ ■ Up to 25 ppm



Lexmark CX410e

■ ■ ■ Up to 32 ppm

■ ■ ■ Up to 32 ppm



Lexmark CX410de

■ ■ ■ Up to 32 ppm

■ ■ ■ Up to 32 ppm



Lexmark CX410dte

■ ■ ■ Up to 32 ppm

■ ■ ■ Up to 32 ppm



Lexmark X748dte

■ ■ ■ Up to 35 ppm

■ ■ ■ Up to 35 ppm



Lexmark X792de

■ ■ ■ Up to 50 ppm

■ ■ ■ Up to 50 ppm



Lexmark X792dte

■ ■ ■ Up to 50 ppm

■ ■ ■ Up to 50 ppm



Lexmark X792dtfe

■ ■ ■ Up to 50 ppm

■ ■ ■ Up to 50 ppm



Lexmark X792dtme

■ ■ ■ Up to 50 ppm

■ ■ ■ Up to 50 ppm



11x17

Lexmark X954dte

■ ■ ■ Up to 55 ppm

■ ■ ■ Up to 50 ppm



Lexmark CX510de
 ■■■ Up to 32 ppm
 ■■■ Up to 32 ppm
 ■■■ Up to 32 ppm



Lexmark CX510dhe
 ■■■ Up to 32 ppm
 ■■■ Up to 32 ppm
 ■■■ Up to 32 ppm



Lexmark CX510dthe
 ■■■ Up to 32 ppm
 ■■■ Up to 32 ppm
 ■■■ Up to 32 ppm



Lexmark X746de
 ■■■ Up to 35 ppm
 ■■■ Up to 35 ppm
 ■■■ Up to 35 ppm



Lexmark X748de
 ■■■ Up to 35 ppm
 ■■■ Up to 35 ppm
 ■■■ Up to 35 ppm



Lexmark X792dtpe
 ■■■ Up to 50 ppm
 ■■■ Up to 50 ppm
 ■■■ Up to 50 ppm



Lexmark X792dtse
 ■■■ Up to 50 ppm
 ■■■ Up to 50 ppm
 ■■■ Up to 50 ppm



Lexmark X925de
 ■■■ Up to 30 ppm
 ■■■ Up to 30 ppm
 ■■■ Up to 30 ppm



Lexmark X950de
 ■■■ Up to 45 ppm
 ■■■ Up to 45 ppm
 ■■■ Up to 40 ppm



Lexmark X952de
 ■■■ Up to 50 ppm
 ■■■ Up to 50 ppm
 ■■■ Up to 45 ppm

Lexmark MS310d



Don't let the size fool you. The Lexmark MS310d gives you speed, reliability and convenience—plus 2-sided printing—all in a space-saving design.

Print Technology

Monochrome Laser

Print Speed (Letter, Black)

Up to 35 ppm

Print Speed (Letter, Black) Duplex

Up to 16 spm

Time to First Page (Black)

As fast as 6.5 seconds

Print Resolution, Black

600 x 600 dpi, 2400 Image Quality, 1200 Image Quality, 1200 x 1200 dpi

Processor

Dual Core, 800 MHz

Memory, Standard

128 MB

Memory, Maximum

128 MB

Hard Disk

Not Available

Expandable Memory Options

No

Apple Macintosh Operating Systems Supported

Mac OS X (10.5, 10.6, 10.7, 10.8)

Linux Operating Systems Supported

Fedora 14, 15, 16, 17, Mint 9, 10, 11, 12, PCLinuxOS 2011.9, Ubuntu 11.04, 11.10, 12.04, Debian GNU/Linux 5.0, 6.0, SUSE Linux Enterprise Server 10, 11, SUSE Linux Enterprise Desktop 10, 11, Red Flag Linux Desktop 6.0, Linpus Linux Desktop 9.6, Red Hat Enterprise Linux WS 4.0, 5.0, 6.0, openSUSE 11.3, 11.4, 12.1

Microsoft Windows Operating Systems Supported

Server 2012, 8 x64, 8, Windows 7, Server 2008 running Terminal Services, Server 2008, Vista, Server 2003 x64, XP, Server 2003, XP x64, Server 2003 running Terminal Services, Server 2003 x64 running Terminal Services, Vista x64, Server 2008 x64, Server 2008 x64 running Terminal Services, Windows 7 x64, Server 2008 R2, Server 2008 R2 running Terminal Services

Included Paper Handling

Integrated Duplex, 150-Sheet Output Bin, 250-Sheet Input, 50-Sheet Multipurpose Feeder

Optional Paper Handling

550-Sheet Tray, 250-Sheet Tray

Paper Input Capacity, Standard: Up to

300 pages 20 lb or 75 gsm bond

Paper Input Capacity, Maximum: Up to

850 pages 20 lb or 75 gsm bond

Paper Output Capacity, Standard: Up to

150 pages 20 lb or 75 gsm bond

Paper Output Capacity, Maximum: Up to

150 pages 20 lb or 75 gsm bond

Finishing Option

No

Number of Paper Inputs, Standard

2

Number of Paper Inputs, Maximum

3

Media Types Supported

Refer to the Card Stock & Label Guide, Plain Paper, Envelopes, Card Stock, Paper Labels, Transparencies

Media Sizes Supported

A6, Office, Universal, Statement, Folio, DL Envelope, A4, 7 3/4 Envelope, 10 Envelope, 9 Envelope, A5, Executive, JIS-B5, Legal, Letter

Standard Ports

USB 2.0 Specification Hi-Speed Certified (Type B), Centronics IEEE 1284 Bidirectional Parallel

Optional Network Ports

External MarkNet™ N7002e Fast Ethernet (parallel), External MarkNet™ N7000e Fast Ethernet (USB), External MarkNet™ N7020e Gigabit Ethernet

Printer Languages (Standard)

Microsoft XPS (XML Paper Specification), PostScript 3 Emulation, PCL 5e Emulation, PCL 6 Emulation

Laser Cartridge Yields

5,000*-page Black High Yield Cartridge, 1,500*-page Cartridge

Cartridge(s) Shipping with Product

1,500*-page Return Program Toner Cartridge

Replacement Cartridges:

Product functions only with replacement cartridges designed for use in a specific geographical region. See www.lexmark.com/regions for more details.

Packaged Size (mm - H x W x D)

380 x 432 x 472 mm

Size (mm - H x W x D)

263 x 399 x 382 mm

Packaged Size (in. - H x W x D)

15.0 x 17.0 x 18.6 in.

Size (in. - H x W x D)

10.3 x 15.7 x 15.0 in.

Weight (kg)

14.0 kg

Weight (lb.)

30.9 lb.

Noise Level, Idle

15 dB(A)

Print Noise Level, Operating

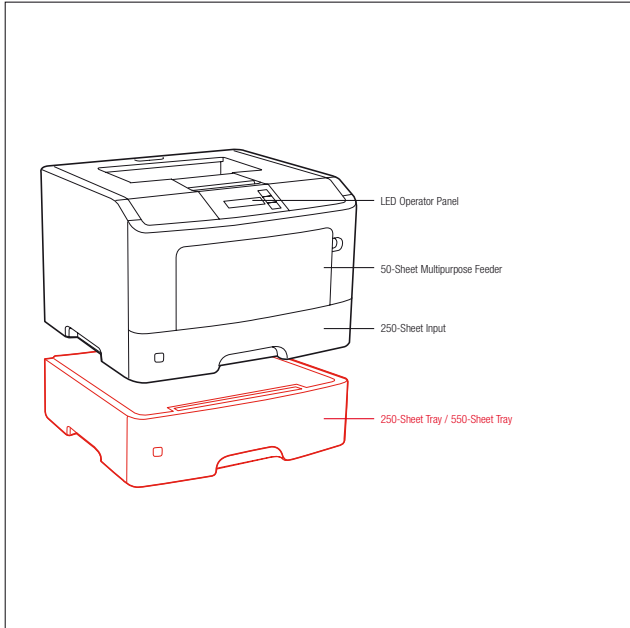
53 dB(A)

Product Warranty

1-Year Exchange Service, Next Business Day

Product Certifications

Energy Star V1.2, Blue Angel (RAL-UZ-122), CAN/CSA-C22.2 60950-1, CSA E60825-1, ICES-003 Class B, BSMI Class B, CNS 13438, VCCI Class B, US FDA, FCC Class B, UL 60950-1, IEC 320-1, EN/IEC 60320-1, CE Class B, CB IEC 60950-1, EN 62311, EN 60950-1, EN/IEC 61000-3, EN 55022 Class B, EN 55024, EN/IEC 60825-1, GS (TÜV), SEMKO, UL AR, CS, TÜV Rh, SMA C-tick mark Class B, CCC Class B, CISPIR 22 Class B, EK Mark, N Mark, ECMA-370, TED



Standard
 Optional

| Part # | Model |
|---------|---|
| 35S0050 | Lexmark MS310d |
| Part # | Laser Toner/Print Cartridge |
| 50F1H00 | 501H High Yield Return Program Toner Cartridge |
| 50F1000 | 501 Return Program Toner Cartridge |
| 50FOZ00 | 500Z Black Return Program Imaging Unit |
| 50FOHA0 | 500HA High Yield Toner Cartridge |
| 50FOZA0 | 500ZA Black Imaging Unit |
| Part # | Paper Handling |
| 35S0567 | 550-Sheet Tray |
| 35S0267 | 250-Sheet Tray |
| Part # | Memory Options |
| 57X9101 | 256MB Flash Memory Card |
| 57X9115 | Japanese Font Card |
| 57X9114 | Korean Font Card |
| 57X9112 | Simplified Chinese Font Card |
| 57X9110 | Traditional Chinese Font Card |
| Part # | Connectivity |
| 1021294 | USB Cable (2-meter) |
| 14T0230 | MarkNet™ N7000e Fast Ethernet Print Server - USB |
| 14T0240 | MarkNet™ N7002e Fast Ethernet Print Server - Parallel |
| 14T0220 | MarkNet™ N7020e Gigabit Ethernet Print Server |
| Part # | Extended Warranties |
| 2355640 | MS310 2-Years Total (1+1) Exchange Service |
| 2355641 | MS310 3-Years Total (1+2) Exchange Service |
| 2355642 | MS310 4-Years Total (1+3) Exchange Service |
| 2355643 | MS310 5-Years Total (1+4) Exchange Service |
| 2355644 | MS310 1-Year Exchange Service Renewal |
| 2355647 | MS310 Upgrade to Onsite Service |
| 2355648 | MS310 2-Years Total (1+1) Onsite Service |
| 2355649 | MS310 3-Years Total (1+2) Onsite Service |
| 2355650 | MS310 4-Years Total (1+3) Onsite Service |
| 2355651 | MS310 5-Years Total (1+4) Onsite Service |
| 2355652 | MS310 1-Year Onsite Service Renewal |

Lexmark MS310dn



Don't let the size fool you. The Lexmark MS310dn gives you speed, reliability and convenience—plus 2-sided printing and networking—all in a space-saving design.

Print Technology

Monochrome Laser

Print Speed (Letter, Black)

Up to 35 ppm

Print Speed (Letter, Black) Duplex

Up to 16 spm

Time to First Page (Black)

As fast as 6.5 seconds

Print Resolution, Black

600 x 600 dpi, 2400 Image Quality, 1200 Image Quality, 1200 x 1200 dpi

Processor

Dual Core, 800 MHz

Memory, Standard

128 MB

Memory, Maximum

128 MB

Hard Disk

Not Available

Expandable Memory Options

No

Apple Macintosh Operating Systems Supported

Mac OS X (10.5, 10.6, 10.7, 10.8)

Linux Operating Systems Supported

Fedora 14, 15, 16, 17, Linpus Linux Desktop 9.6, SUSE Linux Enterprise Server 10, 11, SUSE Linux Enterprise Desktop 10, 11, Red Flag Linux Desktop 6.0, Debian GNU/Linux 5.0, 6.0, Mint 9, 10, 11, 12, openSUSE 11.3, 11.4, 12.1, Ubuntu 11.04, 11.10, 12.04, Red Hat Enterprise Linux WS 4.0, 5.0, 6.0, PCLinuxOS 2011.9

Microsoft Windows Operating Systems Supported

Server 2012, 8 x64, 8, Windows 7, Server 2008 running Terminal Services, Server 2008, Vista, Server 2003 x64, XP, Server 2003, XP x64, Server 2003 running Terminal Services, Server 2003 x64 running Terminal Services, Vista x64, Server 2008 x64, Server 2008 x64 running Terminal Services, Windows 7 x64, Server 2008 R2, Server 2008 R2 running Terminal Services

Novell Operating Systems Supported

Open Enterprise Server on SUSE Linux Enterprise Server, NetWare 5.1(SP 6+), 6.0(SP 3+) with Novell Distributed Print Services (NDPS), NetWare 6.5 Open Enterprise Server

UNIX Operating Systems Supported

IBM AIX 5.3, 6.1, 7.1, HP-UX 11.11, 11.23, 11.31, Sun Solaris SPARC 9, 10, Sun Solaris x86 10, 11

Included Paper Handling

Integrated Duplex, 50-Sheet Multipurpose Feeder, 250-Sheet Input, 150-Sheet Output Bin

Optional Paper Handling

550-Sheet Tray, 250-Sheet Tray

Paper Input Capacity, Standard: Up to

300 pages 20 lb or 75 gsm bond

Paper Input Capacity, Maximum: Up to

850 pages 20 lb or 75 gsm bond

Paper Output Capacity, Standard: Up to

150 pages 20 lb or 75 gsm bond

Paper Output Capacity, Maximum: Up to

150 pages 20 lb or 75 gsm bond

Finishing Option

No

Number of Paper Inputs, Standard

2

Number of Paper Inputs, Maximum

3

Media Types Supported

Refer to the Card Stock & Label Guide, Plain Paper, Envelopes, Card Stock, Paper Labels, Transparencies

Media Sizes Supported

A6, Oficio, Universal, Statement, Folio, DL Envelope, A4, 7 3/4 Envelope, 10 Envelope, 9 Envelope, A5, Executive, JIS-B5, Legal, Letter

Standard Ports

Ethernet 10/100BaseTX (RJ-45), also works with 1000Base-T, Centronics IEEE 1284 Bidirectional Parallel, USB 2.0 Specification Hi-Speed Certified (Type B)

Optional Network Ports

MarkNet NB352 802.11b/g/n Wireless, External MarkNet™ N7020e Gigabit Ethernet

Network Printing Methods

IPP 1.0, 1.1, 2.0 (Internet Printing Protocol), Enhanced IP (Port 9400), LPR/LPD, Direct IP (Port 9100), FTP, TFTP, ThinPrint, print integration

Network Protocol Support

UDP, TCP/IP IPv6, AppleTalk™, TCP, TCP/IP IPv4

Network Security

802.1x Authentication: MD5, MSCHAPv2, LEAP, PEAP, TLS, TTLS, SNMPv3

Printer Languages (Standard)

Microsoft XPS (XML Paper Specification), PostScript 3 Emulation, PCL 6 Emulation, PCL 5e Emulation

Laser Cartridge Yields

5,000* page-Black High Yield Cartridge, 1,500*-page Cartridge

Cartridge(s) Shipping with Product

1,500*-page Return Program Toner Cartridge

Replacement Cartridges:

Product functions only with replacement cartridges designed for use in a specific geographical region. See www.lexmark.com/regions for more details.

Packaged Size (mm - H x W x D)

380 x 432 x 472 mm

Size (mm - H x W x D)

263 x 399 x 382 mm

Packaged Size (in. - H x W x D)

15.0 x 17.0 x 18.6 in.

Size (in. - H x W x D)

10.3 x 15.7 x 15.0 in.

Weight (kg)

14.0 kg

Weight (lb.)

30.9 lb.

Noise Level, Idle

15 dBA

Print Noise Level, Operating

53 dBA

Product Warranty

1-Year Exchange Service, Next Business Day

Product Certifications

Energy Star V1.2, Blue Angel (RAL-UZ-122), CAN/CSA-C22.2 60950-1, CSA E60825-1, ICES-003 Class B, BSMI Class B, CNS 13438, VCCI Class B, US FDA, FCC Class B, UL 60950-1, IEC 320-1, EN/IEC 60320-1, CE Class B, CB IEC 60950-1, EN 62311, EN 60950-1, EN/IEC 61000-3, EN 55022 Class B, EN 55024, EN/IEC 60825-1, GS (TÜV), SEMKO, UL AR, CS, TÜV Rh, SMA C-tick mark Class B, CCC Class B, CISPIR 22 Class B, EK Mark, N Mark, ECMA-370, TED

Maximum Monthly Duty Cycle

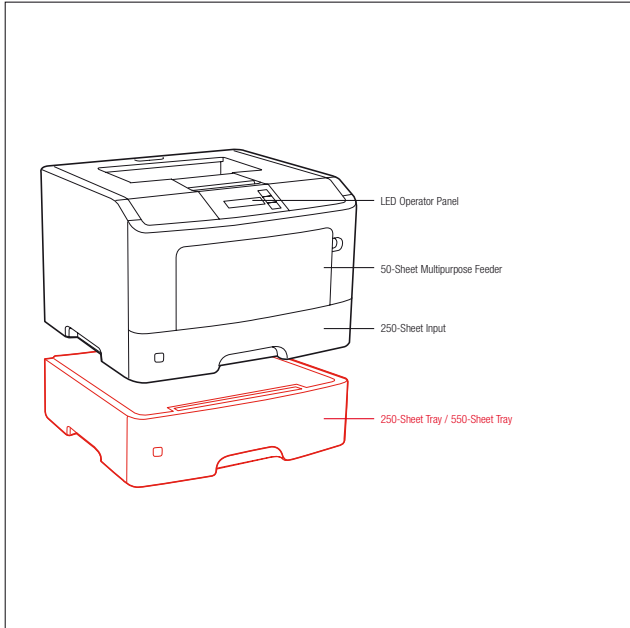
Up to 50000 pages per month

Recommended Monthly Page Volume

500 - 2500 pages

Specified Operating Environment

Altitude: 0 - 2896 Meters (9,500 Feet), Temperature: 16 to 32°C (60 to 90°F), Humidity: 8 to 80% Relative Humidity



Standard
 Optional

| Part # | Model |
|---------|--|
| 35S0100 | Lexmark MS310dn |
| Part # | Laser Toner/Print Cartridge |
| 50F1H00 | 501H High Yield Return Program Toner Cartridge |
| 50F1000 | 501 Return Program Toner Cartridge |
| 50F0Z00 | 500Z Black Return Program Imaging Unit |
| 50FOHA0 | 500HA High Yield Toner Cartridge |
| 50FOZA0 | 500ZA Black Imaging Unit |
| Part # | Paper Handling |
| 35S0567 | 550-Sheet Tray |
| 35S0267 | 250-Sheet Tray |
| Part # | Memory Options |
| 57X9101 | 256MB Flash Memory Card |
| 57X9115 | Japanese Font Card |
| 57X9114 | Korean Font Card |
| 57X9112 | Simplified Chinese Font Card |
| 57X9110 | Traditional Chinese Font Card |
| Part # | Connectivity |
| 1021294 | USB Cable (2-meter) |
| 27X0128 | Lexmark MarkNet 8352 802.11b/g/n Wireless |
| 14T0220 | MarkNet™ N7020e Gigabit Ethernet Print Server |
| Part # | Extended Warranties |
| 2355640 | MS310 2-Years Total (1+1) Exchange Service |
| 2355641 | MS310 3-Years Total (1+2) Exchange Service |
| 2355642 | MS310 4-Years Total (1+3) Exchange Service |
| 2355643 | MS310 5-Years Total (1+4) Exchange Service |
| 2355644 | MS310 1-Year Exchange Service Renewal |
| 2355647 | MS310 Upgrade to Onsite Service |
| 2355648 | MS310 2-Years Total (1+1) Onsite Service |
| 2355649 | MS310 3-Years Total (1+2) Onsite Service |
| 2355650 | MS310 4-Years Total (1+3) Onsite Service |
| 2355651 | MS310 5-Years Total (1+4) Onsite Service |
| 2355652 | MS310 1-Year Onsite Service Renewal |

Lexmark MS410d



The Lexmark MS410d provides more enterprise-worthy speed, reliability and convenience. Enhance productivity and save time with 2-sided printing, too.

Print Technology

Monochrome Laser

Display

2-line All Points Addressable (APA) monochrome LCD display

Print Speed (Letter, Black)

Up to 40 ppm

Print Speed (Letter, Black) Duplex

Up to 18 spm

Time to First Page (Black)

As fast as 6.5 seconds

Print Resolution, Black

600 x 600 dpi, 2400 Image Quality, 1200 Image Quality, 1200 x 1200 dpi

Processor

Dual Core, 800 MHz

Memory, Standard

128 MB

Memory, Maximum

128 MB

Hard Disk

Not Available

Expandable Memory Options

No

Apple Macintosh Operating Systems Supported

Mac OS X (10.5, 10.6, 10.7, 10.8)

Linux Operating Systems Supported

Fedora 14, 15, 16, 17, Mint 9, 10, 11, 12, PCLinuxOS 2011.9, Ubuntu 11.04, 11.10, 12.04, Debian GNU/Linux 5.0, 6.0, SUSE Linux Enterprise Server 10, 11, SUSE Linux Enterprise Desktop 10, 11, Red Hat Linux Desktop 6.0, Linpus Linux Desktop 9.6, Red Hat Enterprise Linux WS 4.0, 5.0, 6.0, openSUSE 11.3, 11.4, 12.1

Microsoft Windows Operating Systems Supported

Server 2012, 8 x64, 8, Windows 7, Server 2008 running Terminal Services, Server 2008, Vista, Server 2003 x64, XP, Server 2003, XP x64, Server 2003 running Terminal Services, Server 2003 x64 running Terminal Services, Vista x64, Server 2008 x64, Server 2008 x64 running Terminal Services, Windows 7 x64, Server 2008 R2, Server 2008 R2 running Terminal Services

Included Paper Handling

Integrated Duplex, 250-Sheet Input, 150-Sheet Output Bin, 50-Sheet Multipurpose Feeder

Optional Paper Handling

550-Sheet Tray, 250-Sheet Tray

Paper Input Capacity, Standard: Up to

300 pages 20 lb or 75 gsm bond

Paper Input Capacity, Maximum: Up to

850 pages 20 lb or 75 gsm bond

Paper Output Capacity, Standard: Up to

150 pages 20 lb or 75 gsm bond

Paper Output Capacity, Maximum: Up to

150 pages 20 lb or 75 gsm bond

Finishing Option

No

Number of Paper Inputs, Standard

2

Number of Paper Inputs, Maximum

3

Media Types Supported

Refer to the Card Stock & Label Guide, Plain Paper, Envelopes, Card Stock, Paper Labels, Transparencies

Media Sizes Supported

A6, Oficio, Universal, Statement, Folio, DL Envelope, A4, 7/34 Envelope, 10 Envelope, 9 Envelope, A5, Executive, JIS-B5, Legal, Letter

Standard Ports

USB 2.0 Specification Hi-Speed Certified (Type B)

Optional Network Ports

External MarkNet™ N7000e Fast Ethernet (USB), External MarkNet™ N7020e Gigabit Ethernet

Printer Languages (Standard)

Microsoft XPS (XML Paper Specification), PCL 6 Emulation, PCL 5e Emulation, PostScript 3 Emulation

Laser Cartridge Yields

10,000*-page Extra High Yield Cartridge, 5,000*-page Black High Yield Cartridge, 1,500*-page Cartridge

Cartridge(s) Shipping with Product

2,500*-page Starter Return Program Toner Cartridge

Replacement Cartridges:

Product functions only with replacement cartridges designed for use in a specific geographical region. See www.lexmark.com/regions for more details.

Packaged Size (mm - H x W x D)

380 x 432 x 472 mm

Size (mm - H x W x D)

263 x 399 x 382 mm

Packaged Size (in. - H x W x D)

15.0 x 17.0 x 18.6 in.

Size (in. - H x W x D)

10.3 x 15.7 x 15.0 in.

Weight (kg)

14.1 kg

Weight (lb.)

31.1 lb.

Noise Level, Idle

15 dBA

Print Noise Level, Operating

54 dBA

Product Warranty

1-Year Exchange Service, Next Business Day

Product Certifications

Energy Star V1.2, Blue Angel (RAL-UZ-122), CAN/CSA-C22-2 60950-1, CSA E60825-1, ICES-003 Class B, BSMI Class B, CNS 13438, VCCI Class B, US FDA, FCC Class B, UL 60950-1, IEC 320-1, EN/IEC 60320-1, CE Class B, CB IEC 60950-1, EN 62311, EN 60950-1, EN/IEC 61000-3, EN 55022 Class B, EN 55024, EN/IEC 60825-1, GS (TÜV), SEMKO, UL AR, CS, TÜV Rh, SMA C-tick mark Class B, CCC Class B, CISPIR 22 Class B, EK Mark, N Mark,

ECMA-370, TED

Maximum Monthly Duty Cycle

Up to 80000 pages per month

Recommended Monthly Page Volume

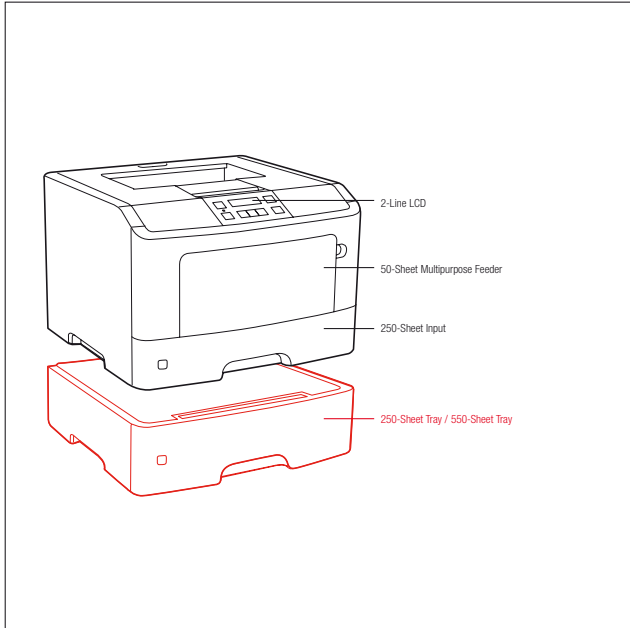
750 - 7200 pages

Specified Operating Environment

Altitude: 0 - 2896 Meters (9,500 Feet), Humidity: 8 to 80%

Relative Humidity, Temperature:

16 to 32°C (60 to 90°F)



Standard
 Optional

| Part # | Model |
|---------------|--|
| 3530150 | Lexmark MS410d |
| Part # | Laser Toner/Print Cartridge |
| 50F1X00 | 501X Extra High Yield Return Program Toner Cartridge |
| 50F1H00 | 501H High Yield Return Program Toner Cartridge |
| 50F1000 | 501 Return Program Toner Cartridge |
| 50F0Z00 | 500Z Black Return Program Imaging Unit |
| 50FOX00 | 500XA Extra High Yield Toner Cartridge |
| 50FOZ00 | 500ZA Black Imaging Unit |
| Part # | Paper Handling |
| 3530567 | 550-Sheet Tray |
| 3530267 | 250-Sheet Tray |
| Part # | Memory Options |
| 57X9101 | 256MB Flash Memory Card |
| 57X9115 | Japanese Font Card |
| 57X9114 | Korean Font Card |
| 57X9112 | Simplified Chinese Font Card |
| 57X9110 | Traditional Chinese Font Card |
| Part # | Connectivity |
| 1021294 | USB Cable (2-meter) |
| 14T0230 | MarkNet™ N7000e Fast Ethernet Print Server - USB |
| 14T0220 | MarkNet™ N7020e Gigabit Ethernet Print Server |
| Part # | Extended Warranties |
| 2355686 | MS410 2-Years Total (1+1) Exchange Service |
| 2355687 | MS410 3-Years Total (1+2) Exchange Service |
| 2355688 | MS410 4-Years Total (1+3) Exchange Service |
| 2355689 | MS410 5-Years Total (1+4) Exchange Service |
| 2355690 | MS410 1-Year Exchange Service Renewal |
| 2355693 | MS410 Upgrade to Onsite Service |
| 2355694 | MS410 2-Years Total (1+1) Onsite Service |
| 2355695 | MS410 3-Years Total (1+2) Onsite Service |
| 2355696 | MS410 4-Years Total (1+3) Onsite Service |
| 2355697 | MS410 5-Years Total (1+4) Onsite Service |
| 2355698 | MS410 1-Year Onsite Service Renewal |
| 2355693P | MS410 Upgrade to Onsite Service |

Lexmark MS410dn



The Lexmark MS410dn provides more enterprise-worthy speed, reliability and convenience. Enhance productivity and save time with 2-sided printing and networking, too.

Print Technology

Monochrome Laser

Display

2-line All Points Addressable (APA) monochrome LCD display

Print Speed (Letter, Black)

Up to 40 ppm

Print Speed (Letter, Black) Duplex

Up to 18 ppm

Time to First Page (Black)

As fast as 6.5 seconds

Print Resolution, Black

600 x 600 dpi, 2400 Image Quality, 1200 Image Quality, 1200 x 1200 dpi

Processor

Dual Core, 800 MHz

Memory, Standard

256 MB

Memory, Maximum

256 MB

Hard Disk

Not Available

Expandable Memory Options

No

Apple Macintosh Operating Systems Supported

Mac OS X (10.5, 10.6, 10.7, 10.8)

Linux Operating Systems Supported

Fedora 14, 15, 16, 17, Linpus Linux Desktop 9.6, SUSE Linux Enterprise Server 10, 11, SUSE Linux Enterprise Desktop 10, 11, Red Flag Linux Desktop 6.0, Debian GNU/Linux 5.0, 6.0, Mint 9, 10, 11, 12, openSUSE 11.3, 11.4, 12.1, Ubuntu 11.04, 11.10, 12.04, Red Hat Enterprise Linux WS 4.0, 5.0, 6.0, PCLinuxOS 2011.9

Microsoft Windows Operating Systems Supported

Server 2012, 8 x64, 8, Windows 7, Server 2008 running Terminal Services, Server 2008, Vista, Server 2003 x64, XP, Server 2003, XP x64, Server 2003 running Terminal Services, Server 2003 x64 running Terminal Services, Vista x64, Server 2008 x64, Server 2008 x64 running Terminal Services, Windows 7 x64, Server 2008 R2, Server 2008 R2 running Terminal Services

Novell Operating Systems Supported

Open Enterprise Server on SUSE Linux Enterprise Server, NetWare 5.1(SP 6+), 6.0(SP 3+) with Novell Distributed Print Services (NDPS), NetWare 6.5 Open Enterprise Server

UNIX Operating Systems Supported

IBM AIX 5.3, 6.1, 7.1, HP-UX 11.11, 11.23, 11.31, Sun Solaris SPARC 9, 10, Sun Solaris x86 10, 11

Included Paper Handling

Integrated Duplex, 250-Sheet Input, 50-Sheet Multipurpose Feeder, 150-Sheet Output Bin

Optional Paper Handling

550-Sheet Tray, 250-Sheet Tray

Paper Input Capacity, Standard: Up to

300 pages 20 lb or 75 gsm bond

Paper Input Capacity, Maximum: Up to

850 pages 20 lb or 75 gsm bond

Paper Output Capacity, Standard: Up to

150 pages 20 lb or 75 gsm bond

Paper Output Capacity, Maximum: Up to

150 pages 20 lb or 75 gsm bond

Finishing Option

No

Number of Paper Inputs, Standard

2

Number of Paper Inputs, Maximum

3

Media Types Supported

Refer to the Card Stock & Label Guide, Plain Paper, Envelopes, Card Stock, Paper Labels, Transparencies

Media Sizes Supported

A6, Oficio, Universal, Statement, Folio, DL Envelope, A4, 7 3/4 Envelope, 10 Envelope, 9 Envelope, A5, Executive, JIS-B5, Legal, Letter

Standard Ports

Gigabit Ethernet (10/100/1000), USB 2.0 Specification Hi-Speed Certified (Type B)

Optional Network Ports

MarkNet N8352 802.11b/g/n Wireless

Network Printing Methods

IPP 1.0, 1.1, 2.0 (Internet Printing Protocol), Enhanced IP (Port 9400), LPR/LPD, Direct IP (Port 9100), FTP, TFTP, ThinPrint, print integration

Network Protocol Support

UDP, TCP/IP IPv6, AppleTalk™, TCP, TCP/IP IPv4

Network Security

802.1x Authentication: MD5, MSCHAPv2, LEAP, PEAP, TLS, TTLS, SNMPv3

Printer Languages (Standard)

Microsoft XPS (XML Paper Specification), PCL 5e Emulation, PostScript 3 Emulation, PCL 6 Emulation

Laser Cartridge Yields

10,000*-page Extra High Yield Cartridge, 5,000*-page Black High Yield Cartridge, 1,500*-page Cartridge

Cartridge(s) Shipping with Product

2,500*-page Starter Return Program Toner Cartridge

Replacement Cartridges:

Product functions only with replacement cartridges designed for use in a specific geographical region. See www.lexmark.com/regions for more details.

Packaged Size (mm - H x W x D)

380 x 432 x 472 mm

Size (mm - H x W x D)

263 x 399 x 382 mm

Packaged Size (in. - H x W x D)

15.0 x 17.0 x 18.6 in.

Size (in. - H x W x D)

10.3 x 15.7 x 15.0 in.

Weight (kg)

14.1 kg

Weight (lb.)

31.1 lb.

Noise Level, Idle

15 dBA

Print Noise Level, Operating

54 dBA

Product Warranty

1-Year Exchange Service, Next Business Day

Product Certifications

Energy Star V1.2, Blue Angel (RAL-UZ-122), CAN/CSA-C22.2 60950-1, CSA E60825-1, ICES-003 Class B, BSMI Class B, CNS 13438, VCCI Class B, US FDA, FCC Class B, UL 60950-1, IEC 320-1, EN/IEC 60320-1, CE Class B, CB IEC 60950-1, EN 62311, EN 60950-1, EN/IEC 61000-3, EN 55022 Class B, EN 55024, EN/IEC 60825-1, GS (TÜV), SEMKO, UL AR, CS, TÜV Rh, SMA C-tick mark Class B, CCC Class B, CISPIR 22 Class B, EK Mark, N Mark, ECMA-370, TED

Maximum Monthly Duty Cycle

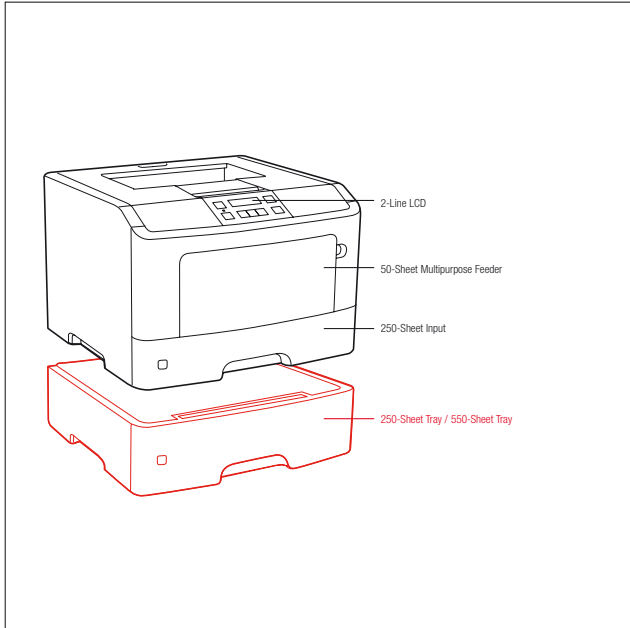
Up to 80000 pages per month

Recommended Monthly Page Volume

750 - 7200 pages

Specified Operating Environment

Altitude: 0 - 2896 Meters (9,500 Feet), Temperature: 16 to 32°C (60 to 90°F), Humidity: 8 to 80% Relative Humidity



Standard
 Optional

| Part # | Model |
|----------|--|
| 3530200 | Lexmark MS410dn |
| Part # | Laser Toner/Print Cartridge |
| 50F1X00 | 501X Extra High Yield Return Program Toner Cartridge |
| 50F1H00 | 501H High Yield Return Program Toner Cartridge |
| 50F1000 | 501 Return Program Toner Cartridge |
| 50F0Z00 | 500Z Black Return Program Imaging Unit |
| 50FOXAO | 500XA Extra High Yield Toner Cartridge |
| 50FOZAO | 500ZA Black Imaging Unit |
| Part # | Paper Handling |
| 3530567 | 550-Sheet Tray |
| 3530267 | 250-Sheet Tray |
| Part # | Memory Options |
| 57X9101 | 256MB Flash Memory Card |
| 57X9115 | Japanese Font Card |
| 57X9114 | Korean Font Card |
| 57X9112 | Simplified Chinese Font Card |
| 57X9110 | Traditional Chinese Font Card |
| Part # | Connectivity |
| 1021294 | USB Cable (2-meter) |
| 27X0128 | Lexmark MarkNet 8352 802.11b/g/n Wireless |
| Part # | Extended Warranties |
| 2355686 | MS410 2-Years Total (1+1) Exchange Service |
| 2355687 | MS410 3-Years Total (1+2) Exchange Service |
| 2355688 | MS410 4-Years Total (1+3) Exchange Service |
| 2355689 | MS410 5-Years Total (1+4) Exchange Service |
| 2355690 | MS410 1-Year Exchange Service Renewal |
| 2355693 | MS410 Upgrade to Onsite Service |
| 2355694 | MS410 2-Years Total (1+1) Onsite Service |
| 2355695 | MS410 3-Years Total (1+2) Onsite Service |
| 2355696 | MS410 4-Years Total (1+3) Onsite Service |
| 2355697 | MS410 5-Years Total (1+4) Onsite Service |
| 2355698 | MS410 1-Year Onsite Service Renewal |
| 2355693P | MS410 Upgrade to Onsite Service |

Lexmark MS510dn



The Lexmark MS510dn provides more enterprise-worthy speed, reliability and convenience. Plus, improve productivity and save time with 2-sided printing and Ethernet networking.

Print Technology

Monochrome Laser

Display

2.4-inch (6 cm) color LCD display

Print Speed (Letter, Black)

Up to 45 ppm

Print Speed (Letter, Black) Duplex

Up to 20 ppm

Time to First Page (Black)

As fast as 6.5 seconds

Print Resolution, Black

600 x 600 dpi, 2400 Image Quality, 1200 Image Quality,

1200 x 1200 dpi

Processor

Dual Core, 800 MHz

Memory, Standard

256 MB

Memory, Maximum

1280 MB

Hard Disk

Not Available

Expandable Memory Options

Yes

Apple Macintosh Operating Systems Supported

Mac OS X (10.5, 10.6, 10.7, 10.8)

Linux Operating Systems Supported

Fedora 14, 15, 16, 17, Linpus Linux Desktop 9.6, SUSE Linux Enterprise Server 10, 11, SUSE Linux Enterprise Desktop 10, 11, Red Flag Linux Desktop 6.0, Debian GNU/Linux 5.0, 6.0, Mint 9, 10, 11, 12, openSUSE 11.3, 11.4, 12.1, Ubuntu 11.04, 11.10, 12.04, Red Hat Enterprise Linux WS 4.0, 5.0, 6.0, PCLinuxOS 2011.9

Microsoft Windows Operating Systems Supported

Server 2012, 8 x64, 8, Windows 7, Server 2008 running Terminal Services, Server 2008, Vista, Server 2003 x64, XP, Server 2003, XP x64, Server 2003 running Terminal Services, Server 2003 x64 running Terminal Services, Vista x64, Server 2008 x64, Server 2008 x64 running Terminal Services, Windows 7 x64, Server 2008 R2, Server 2008 R2 running Terminal Services

Novell Operating Systems Supported

Open Enterprise Server on SUSE Linux Enterprise Server, NetWare 5.1 (SP 6+), 6.0 (SP 3+) with Novell Distributed Print Services (NDPS), NetWare 6.5 Open Enterprise Server

UNIX Operating Systems Supported

IBM AIX 5.3, 6.1, 7.1, HP-UX 11.11, 11.23, 11.31, Sun Solaris SPARC 9, 10, Sun Solaris x86 10, 11

Included Paper Handling

Integrated Duplex, 150-Sheet Output Bin, 250-Sheet Input, 100-Sheet Multipurpose Feeder

Optional Paper Handling

550-Sheet Tray, 250-Sheet Tray

Paper Input Capacity, Standard: Up to

350 pages 20 lb or 75 gsm bond

Paper Input Capacity, Maximum: Up to

2000 pages 20 lb or 75 gsm bond

Paper Output Capacity, Standard: Up to

150 pages 20 lb or 75 gsm bond

Paper Output Capacity, Maximum: Up to

150 pages 20 lb or 75 gsm bond

Finishing Option

No

Number of Paper Inputs, Standard

2

Number of Paper Inputs, Maximum

5

Media Types Supported

Refer to the Card Stock & Label Guide, Plain Paper, Envelopes, Card Stock, Paper Labels, Transparencies

Media Sizes Supported

A6, Oficio, Universal, Statement, Folio, DL Envelope, A4, 7 3/4 Envelope, 10 Envelope, 9 Envelope, A5, Executive, JIS-B5, Legal, Letter

Standard Ports

Gigabit Ethernet (10/100/1000), USB 2.0 Specification Hi-Speed Certified (Type B)

Optional Network Ports

MarkNet N8352 802.11b/g/n Wireless

Network Printing Methods

MarkNet N8352 802.11b/g/n Wireless
IPP 1.0, 1.1, 2.0 (Internet Printing Protocol), Enhanced IP (Port 9400), LPR/LPD, Direct IP (Port 9100), FTP, TFTP, ThinPrint, print integration

Network Protocol Support

UDP, TCP/IP IPv6, AppleTalk™, TCP, TCP/IP IPv4

Network Security

802.1x Authentication: MD5, MSCHAPv2, LEAP, PEAP, TLS, TTLS, SNMPv3

Printer Languages (Standard)

PDF 1.7 emulation, PostScript 3 Emulation, Microsoft XPS (XML Paper Specification), Direct Image, Personal Printer Data Stream (PPDS), PCL 5e Emulation, PCL 6 Emulation

Laser Cartridge Yields

20,000*-page Ultra High Yield Cartridge, 10,000*-page Extra High Yield Cartridge, 5,000*-page Black High Yield Cartridge, 1,500*-page Cartridge

Cartridge(s) Shipping with Product

6,000*-page Starter Return Program Toner Cartridge

Replacement Cartridges:

Product functions only with replacement cartridges designed for use in a specific geographical region. See www.lexmark.com/regions for more details.

Packaged Size (mm - H x W x D)

380 x 432 x 472 mm

Size (mm - H x W x D)

263 x 399 x 382 mm

Packaged Size (in. - H x W x D)

15.0 x 17.0 x 18.6 in.

Size (in. - H x W x D)

10.3 x 15.7 x 15.0 in.

Weight (kg)

15.0 kg

Weight (lb.)

33.1 lb.

Noise Level, Idle

15 dBA

Print Noise Level, Operating

55 dBA

Product Warranty

1-Year Exchange Service, Next Business Day

Product Certifications

Energy Star V1.2, Blue Angel (RAL-UZ-122), CAN/CSA-C22.2 60950-1, CSA E60825-1, ICES-003 Class B, BSMI Class B, CNS 13438, VCCI Class B, US FDA, FCC Class B, UL 60950-1, IEC 320-1, EN/IEC 60320-1, CE Class B, CB IEC 60950-1, EN 62311, EN 60950-1, EN/IEC 61000-3, EN 55022 Class B, EN 55024, EN/IEC 60825-1, GS (TÜV), SEMKO, UL AR, CS, TÜV Rh, SMA C-tick mark Class B, CCC Class B, CISPIR 22 Class B, EK Mark, N Mark, ECMA-370, TED

Maximum Monthly Duty Cycle

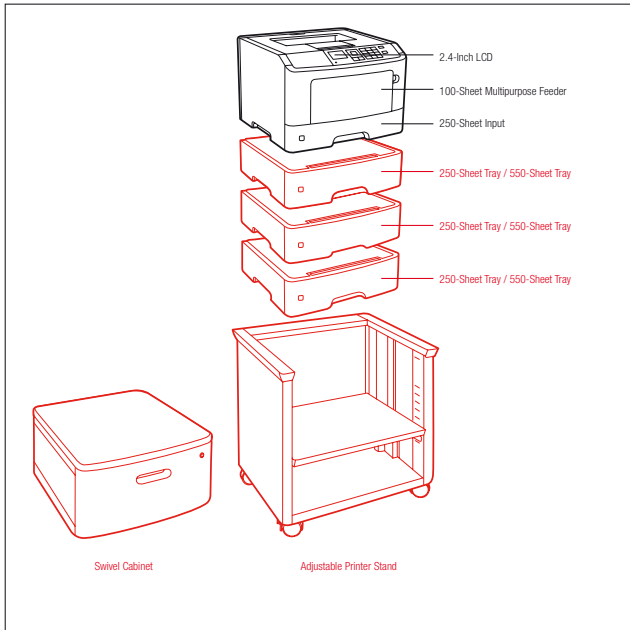
Up to 80000 pages per month

Recommended Monthly Page Volume

1500 - 14000 pages

Specified Operating Environment

Altitude: 0 - 2896 Meters (9,500 Feet), Temperature: 16 to 32°C (60 to 90°F), Humidity: 8 to 80% Relative Humidity



Standard
 Optional

| | |
|---------------|--|
| Part # | Model |
| 35S0300 | Lexmark MS510dn |
| Part # | Laser Toner/Print Cartridge |
| 50F1U00 | 501U Ultra High Yield Return Program Toner Cartridge |
| 50F1X00 | 501X Extra High Yield Return Program Toner Cartridge |
| 50F1H00 | 501H High Yield Return Program Toner Cartridge |
| 50F1000 | 501 Return Program Toner Cartridge |
| 50FOZ00 | 500Z Black Return Program Imaging Unit |
| 50FOJAO | 500UA Ultra High Yield Toner Cartridge |
| 50FOZAO | 500ZA Black Imaging Unit |
| Part # | Paper Handling |
| 35S0567 | 550-Sheet Tray |
| 35S0267 | 250-Sheet Tray |
| Part # | Furniture |
| 35S8502 | Adjustable Printer Stand |
| 3073173 | Swivel Cabinet |
| Part # | Memory Options |
| 57X9014 | 512MbX16 DDR3-DRAM |
| 57X9011 | 1024MbX16 DDR3-DRAM |
| 57X9101 | 256MB Flash Memory Card |
| 57X9115 | Japanese Font Card |
| 57X9114 | Korean Font Card |
| 57X9112 | Simplified Chinese Font Card |
| 57X9110 | Traditional Chinese Font Card |
| Part # | Application Solutions |
| 35S2993 | MS510dn, MS610dn Card for IPDS |
| 35S2992 | MS510dn, MS610dn Forms and Bar Code Card |
| 35S2994 | MS510dn, MS610dn Card for PRESCRIBE Emulation |
| Part # | Connectivity |
| 1021294 | USB Cable (2-meter) |
| 27X0128 | Lexmark MarkNet 8352 802.11b/g/n Wireless |
| Part # | Extended Warranties |
| 2355732 | MS510 2-Years Total (1+1) Exchange Service |
| 2355733 | MS510 3-Years Total (1+2) Exchange Service |
| 2355734 | MS510 4-Years Total (1+3) Exchange Service |
| 2355735 | MS510 5-Years Total (1+4) Exchange Service |
| 2355736 | MS510 1-Year Exchange Service Renewal |
| 2355739 | MS510 Upgrade to Onsite Service |
| 2355740 | MS510 2-Years Total (1+1) Onsite Service |
| 2355741 | MS510 3-Years Total (1+2) Onsite Service |
| 2355742 | MS510 4-Years Total (1+3) Onsite Service |
| 2355743 | MS510 5-Years Total (1+4) Onsite Service |
| 2355744 | MS510 1-Year Onsite Service Renewal |

| | |
|---------------|---------------------------------------|
| Part # | Service Parts |
| 40X8281 | MS510 Fuser Maintenance Kit, 110-120V |



Lexmark MS610dn

The Lexmark MS610dn delivers. With its speed and reliability—plus 2-sided printing and networking—your business can handle document tasks more quickly and easily.

Print Technology

Monochrome Laser

Display

2.4-inch (6 cm) color LCD display

Print Speed (Letter, Black)

Up to 50 ppm

Print Speed (Letter, Black) Duplex

Up to 22 spm

Time to First Page (Black)

As fast as 6.5 seconds

Print Resolution, Black

600 x 600 dpi, 2400 Image Quality, 1200 Image Quality,

1200 x 1200 dpi

Processor

Dual Core, 800 MHz

Memory, Standard

256 MB

Memory, Maximum

1280 MB

Hard Disk

Not Available

Expandable Memory Options

Yes

Apple Macintosh Operating Systems Supported

Mac OS X (10.5, 10.6, 10.7, 10.8)

Linux Operating Systems Supported

Fedora 14, 15, 16, 17, Linpus Linux Desktop 9.6, SUSE Linux Enterprise Server 10, 11, SUSE Linux Enterprise Desktop 10, 11, Red Flag Linux Desktop 6.0, Debian GNU/Linux 5.0, 6.0, Mint 9, 10, 11, 12, openSUSE 11.3, 11.4, 12.1, Ubuntu 11.04, 11.10, 12.04, Red Hat Enterprise Linux WS 4.0, 5.0, 6.0, PCLinuxOS 2011.9

Microsoft Windows Operating Systems Supported

Server 2012, 8 x64, 8, Windows 7, Server 2008 running Terminal Services, Server 2008, Vista, Server 2003 x64, XP, Server 2003, XP x64, Server 2003 running Terminal Services, Server 2003 x64 running Terminal Services, Vista x64, Server 2008 x64, Server 2008 x64 running Terminal Services, Windows 7 x64, Server 2008 R2, Server 2008 R2 running Terminal Services

Novell Operating Systems Supported

Open Enterprise Server on SUSE Linux Enterprise Server, NetWare 5.1 (SP 6+), 6.0 (SP 3+) with Novell Distributed Print Services (NDPS), NetWare 6.5 Open Enterprise Server

UNIX Operating Systems Supported

IBM AIX 5.3, 6.1, 7.1, HP-UX 11.11, 11.23, 11.31, Sun Solaris SPARC 9, 10, Sun Solaris x86 10, 11

Included Paper Handling

250-Sheet Output Bin, Integrated Duplex, 550-Sheet Input, 100-Sheet Multipurpose Feeder

Optional Paper Handling

550-Sheet Tray, 250-Sheet Tray

Paper Input Capacity, Standard: Up to

650 pages 20 lb or 75 gsm bond

Paper Input Capacity, Maximum: Up to

2300 pages 20 lb or 75 gsm bond

Paper Output Capacity, Standard: Up to

250 pages 20 lb or 75 gsm bond

Paper Output Capacity, Maximum: Up to

250 pages 20 lb or 75 gsm bond

Finishing Option

No

Number of Paper Inputs, Standard

2

Number of Paper Inputs, Maximum

5

Media Types Supported

Refer to the Card Stock & Label Guide, Plain Paper, Envelopes, Card Stock, Paper Labels, Transparencies

Media Sizes Supported

A6, Oficio, Universal, Statement, Folio, DL Envelope, A4, 7/34 Envelope, 10 Envelope, 9 Envelope, A5, Executive, JIS-B5, Legal, Letter

Standard Ports

Front USB 2.0 Specification Hi-Speed Certified Port (Type A), USB 2.0 Specification Hi-Speed Certified (Type B), Gigabit Ethernet (10/100/1000)

Optional Network Ports

MarkNet N8352 802.11b/g/n Wireless

Network Printing Methods

IPP 1.0, 1.1, 2.0 (Internet Printing Protocol), Enhanced IP (Port 9400), LPR/LPD, Direct IP (Port 9100), FTP, TFTP, ThinPrint, print integration

Network Protocol Support

UDP, TCP/IP IPv6, AppleTalk™, TCP, TCP/IP IPv4

Network Security

802.1x Authentication: MD5, MSCHAPv2, LEAP, PEAP, TLS, TTLS, SNMPv3

Printer Languages (Standard)

PDF 1.7 emulation, Microsoft XPS (XML Paper Specification), Direct Image, PostScript 3 Emulation, PCL 6 Emulation, PCL 5e Emulation, Personal Printer Data Stream (PPDS)

Laser Cartridge Yields

20,000*-page Ultra High Yield Cartridge, 10,000*-page Extra High Yield Cartridge, 5,000*-page Black High Yield Cartridge, 1,500*-page Cartridge

Cartridge(s) Shipping with Product

6,000*-page Starter Return Program Toner Cartridge

Replacement Cartridges:

Product functions only with replacement cartridges designed for use in a specific geographical region. See www.lexmark.com/regions for more details.

Packaged Size (mm - H x W x D)

422 x 432 x 472 mm

Size (mm - H x W x D)

306 x 399 x 382 mm

Packaged Size (in. - H x W x D)

16.6 x 17.0 x 18.6 in.

Size (in. - H x W x D)

12.1 x 15.7 x 15.0 in.

Weight (kg)

15.7 kg

Weight (lb.)

34.6 lb.

Noise Level, Idle

15 dBA

Print Noise Level, Operating

55 dBA

Product Warranty

1-Year Exchange Service, Next Business Day

Product Certifications

Energy Star V1.2, Blue Angel (RAL-UZ-122), CAN/CSA-C22.2 60950-1, CSA E60825-1, ICES-003 Class B, BSMI Class B, CNS 13438, VCCI Class B, US FDA, FCC Class B, UL 60950-1, IEC 320-1, EN/IEC 60320-1, CE Class B, CB IEC 60950-1, EN 62311, EN 60950-1, EN/IEC 61000-3, EN 55022 Class B, EN 55024, EN/IEC 60825-1, GS (TÜV), SEMKO, UL AR, CS, TÜV Rh, SMA C-tick mark Class B, CCC Class B, CISPIR 22 Class B, EK Mark, N Mark, ECMA-370, TED

Maximum Monthly Duty Cycle

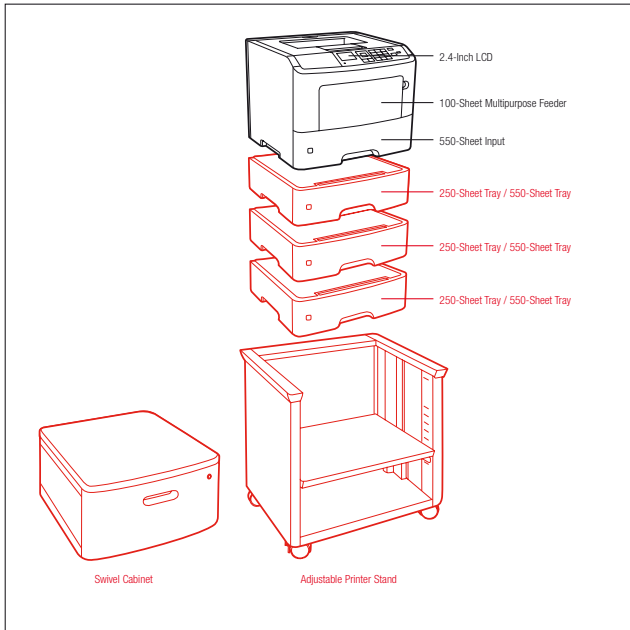
Up to 100000 pages per month

Recommended Monthly Page Volume

3000 - 16000 pages

Specified Operating Environment

Altitude: 0 - 2896 Meters (9,500 Feet), Temperature: 16 to 32°C (60 to 90°F), Humidity: 8 to 80% Relative Humidity



Standard
 Optional

| Part # | Model |
|---------------|--|
| 35S0400 | Lexmark MS610dn |
| Part # | Laser Toner/Print Cartridge |
| 50F1U00 | 501U Ultra High Yield Return Program Toner Cartridge |
| 50F1X00 | 501X Extra High Yield Return Program Toner Cartridge |
| 50F1H00 | 501H High Yield Return Program Toner Cartridge |
| 50F1000 | 501 Return Program Toner Cartridge |
| 50FOZ00 | 500Z Black Return Program Imaging Unit |
| 50FOJAO | 500UA Ultra High Yield Toner Cartridge |
| 50FOZAO | 500ZA Black Imaging Unit |
| Part # | Paper Handling |
| 35S0567 | 550-Sheet Tray |
| 35S0267 | 250-Sheet Tray |
| Part # | Furniture |
| 35S8502 | Adjustable Printer Stand |
| 3073173 | Swivel Cabinet |
| Part # | Memory Options |
| 57X9014 | 512MBx16 DDR3-DRAM |
| 57X9011 | 1024MBx16 DDR3-DRAM |
| 57X9101 | 256MB Flash Memory Card |
| 57X9115 | Japanese Font Card |
| 57X9114 | Korean Font Card |
| 57X9112 | Simplified Chinese Font Card |
| 57X9110 | Traditional Chinese Font Card |
| Part # | Application Solutions |
| 35S2993 | MS510dn, MS610dn Card for IPDS |
| 35S2992 | MS510dn, MS610dn Forms and Bar Code Card |
| 35S2994 | MS510dn, MS610dn Card for PRESCRIBE Emulation |
| Part # | Connectivity |
| 1021294 | USB Cable (2-meter) |
| 27X0128 | Lexmark MarkNet 8352 802.11b/g/n Wireless |
| Part # | Extended Warranties |
| 2355778 | MS610 2-Years Total (1+1) Exchange Service |
| 2355779 | MS610 3-Years Total (1+2) Exchange Service |
| 2355780 | MS610 4-Years Total (1+3) Exchange Service |
| 2355781 | MS610 5-Years Total (1+4) Exchange Service |
| 2355782 | MS610 1-Year Exchange Service Renewal |
| 2355785 | MS610 Upgrade to Onsite Service |
| 2355786 | MS610 2-Years Total (1+1) Onsite Service |
| 2355787 | MS610 3-Years Total (1+2) Onsite Service |
| 2355788 | MS610 4-Years Total (1+3) Onsite Service |
| 2355789 | MS610 5-Years Total (1+4) Onsite Service |
| 2355790 | MS610 1-Year Onsite Service Renewal |

| Part # | Service Parts |
|---------|---|
| 40X8433 | MS610dn Fuser Maintenance Kit, 110-120V |



Lexmark MS610dtn

The Lexmark MS610dtn delivers. With its speed and reliability—plus 2-sided printing and extra capacity—your business can handle document tasks more quickly and easily.

Print Technology

Monochrome Laser

Display

2.4-inch (6 cm) color LCD display

Print Speed (Letter, Black)

Up to 50 ppm

Print Speed (Letter, Black) Duplex

Up to 22 spm

Time to First Page (Black)

As fast as 6.5 seconds

Print Resolution, Black

600 x 600 dpi, 2400 Image Quality, 1200 Image Quality,

1200 x 1200 dpi

Processor

Dual Core, 800 MHz

Memory, Standard

256 MB

Memory, Maximum

1280 MB

Hard Disk

Not Available

Expandable Memory Options

Yes

Apple Macintosh Operating Systems Supported

Mac OS X (10.5, 10.6, 10.7, 10.8)

Linux Operating Systems Supported

Fedora 14, 15, 16, 17, Linpus Linux Desktop 9.6, SUSE Linux Enterprise Server 10, 11, SUSE Linux Enterprise Desktop 10, 11, Red Flag Linux Desktop 6.0, Debian GNU/Linux 5.0, 6.0, Mint 9, 10, 11, 12, openSUSE 11.3, 11.4, 12.1, Ubuntu 11.04, 11.10, 12.04, Red Hat Enterprise Linux WS 4.0, 5.0, 6.0, PCLinuxOS 2011.9

Microsoft Windows Operating Systems Supported

Server 2012, 8 x64, 8, Windows 7, Server 2008 running Terminal Services, Server 2008, Vista, Server 2003 x64, XP, Server 2003, XP x64, Server 2003 running Terminal Services, Server 2003 x64 running Terminal Services, Vista x64, Server 2008 x64, Server 2008 x64 running Terminal Services, Windows 7 x64, Server 2008 R2, Server 2008 R2 running Terminal Services

Novell Operating Systems Supported

Open Enterprise Server on SUSE Linux Enterprise Server, NetWare 5.1 (SP 6+), 6.0 (SP 3+) with Novell Distributed Print Services (NDPS), NetWare 6.5 Open Enterprise Server

UNIX Operating Systems Supported

IBM AIX 5.3, 6.1, 7.1, HP-UX 11.11, 11.23, 11.31, Sun Solaris SPARC 9, 10, Sun Solaris x86 10, 11

Included Paper Handling

550-Sheet Tray, 550-Sheet Input, 100-Sheet Multipurpose Feeder, Integrated Duplex, 250-Sheet Output Bin

Optional Paper Handling

550-Sheet Tray, 250-Sheet Tray

Paper Input Capacity, Standard: Up to

1200 pages 20 lb or 75 gsm bond

Paper Input Capacity, Maximum: Up to

2300 pages 20 lb or 75 gsm bond

Paper Output Capacity, Standard: Up to

250 pages 20 lb or 75 gsm bond

Paper Output Capacity, Maximum: Up to

250 pages 20 lb or 75 gsm bond

Finishing Option

No

Number of Paper Inputs, Standard

3

Number of Paper Inputs, Maximum

5

Media Types Supported

Refer to the Card Stock & Label Guide, Plain Paper, Envelopes, Card Stock, Paper Labels, Transparencies

Media Sizes Supported

A6, Oficio, Universal, Statement, Folio, DL Envelope, A4, 7/34 Envelope, 10 Envelope, 9 Envelope, A5, Executive, JIS-B5, Legal, Letter

Standard Ports

Front USB 2.0 Specification Hi-Speed Certified Port (Type A), USB 2.0 Specification Hi-Speed Certified (Type B), Gigabit Ethernet (10/100/1000)

Optional Network Ports

MarkNet N8352 802.11b/g/n Wireless

Network Printing Methods

IPP 1.0, 1.1, 2.0 (Internet Printing Protocol), Enhanced IP (Port 9400), LPR/LPD, Direct IP (Port 9100), FTP, TFTP, ThinPrint, print integration

Network Protocol Support

UDP, TCP/IP IPv6, AppleTalk™, TCP, TCP/IP IPv4

Network Security

802.1x Authentication: MD5, MSCHAPv2, LEAP, PEAP, TLS, TTLS, SNMPv3

Printer Languages (Standard)

PDF 1.7 emulation, Microsoft XPS (XML Paper Specification), Direct Image, PostScript 3 Emulation, PCL 6 Emulation, PCL 5e Emulation, Personal Printer Data Stream (PPDS)

Laser Cartridge Yields

20,000*-page Ultra High Yield Cartridge, 10,000*-page Extra High Yield Cartridge, 5,000*-page Black High Yield Cartridge, 1,500*-page Cartridge

Cartridge(s) Shipping with Product

6,000*-page Starter Return Program Toner Cartridge

Replacement Cartridges:

Product functions only with replacement cartridges designed for use in a specific geographical region. See www.lexmark.com/regions for more details.

Packaged Size (mm - H x W x D)

602 x 432 x 472 mm

Size (mm - H x W x D)

414 x 399 x 382 mm

Packaged Size (in. - H x W x D)

23.7 x 17.0 x 18.6 in.

Size (in. - H x W x D)

16.3 x 15.7 x 15.0 in.

Weight (kg)

20.4 kg

Weight (lb.)

45.0 lb.

Noise Level, Idle

15 dBA

Print Noise Level, Operating

55 dBA

Product Warranty

1-Year Exchange Service, Next Business Day

Product Certifications

Energy Star V1.2, Blue Angel (RAL-UZ-122), CAN/CSA-C22.2 60950-1, CSA E60825-1, ICES-003 Class B, BSMI Class B, CNS 13438, VCCI Class B, US FDA, FCC Class B, UL 60950-1, IEC 320-1, EN/IEC 60320-1, CE Class B, CB IEC 60950-1, EN 62311, EN 60950-1, EN/IEC 61000-3, EN 55022 Class B, EN 55024, EN/IEC 60825-1, GS (TÜV), SEMKO, UL AR, CS, TÜV Rh, SMA C-tick mark Class B, CCC Class B, CISPIR 22 Class B, EK Mark, N Mark, ECMA-370, TED

Maximum Monthly Duty Cycle

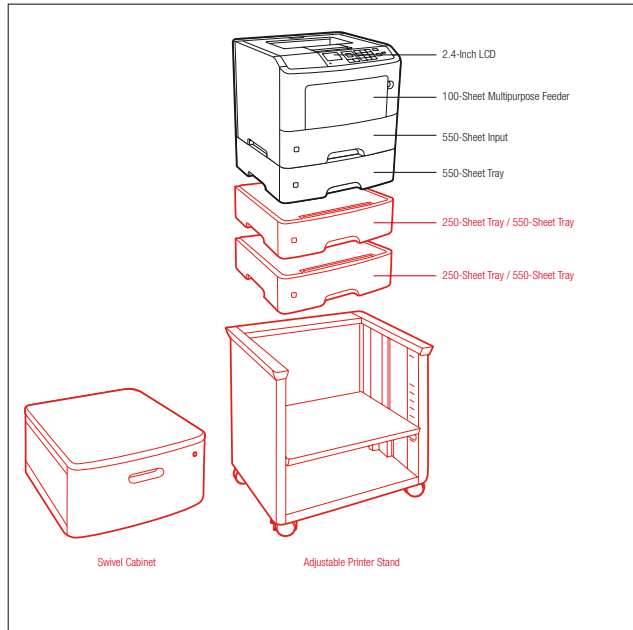
Up to 100000 pages per month

Recommended Monthly Page Volume

3000 - 16000 pages

Specified Operating Environment

Altitude: 0 - 2896 Meters (9,500 Feet), Temperature: 16 to 32°C (60 to 90°F), Humidity: 8 to 80% Relative Humidity



Standard
 Optional

| Part # | Model |
|---------|--|
| 35S0450 | Lexmark MS610dn |
| Part # | Laser Toner/Print Cartridge |
| 50F1U00 | 501U Ultra High Yield Return Program Toner Cartridge |
| 50F1X00 | 501X Extra High Yield Return Program Toner Cartridge |
| 50F1H00 | 501H High Yield Return Program Toner Cartridge |
| 50F1000 | 501 Return Program Toner Cartridge |
| 50FOZ00 | 500Z Black Return Program Imaging Unit |
| 50FOJAO | 500UA Ultra High Yield Toner Cartridge |
| 50FOZAO | 500ZA Black Imaging Unit |
| Part # | Paper Handling |
| 35S0567 | 550-Sheet Tray |
| 35S0267 | 250-Sheet Tray |
| Part # | Furniture |
| 35S8502 | Adjustable Printer Stand |
| 3073173 | Swivel Cabinet |
| Part # | Memory Options |
| 57X9014 | 512MbX16 DDR3-DRAM |
| 57X9011 | 1024MbX16 DDR3-DRAM |
| 57X9101 | 256MB Flash Memory Card |
| 57X9115 | Japanese Font Card |
| 57X9114 | Korean Font Card |
| 57X9112 | Simplified Chinese Font Card |
| 57X9110 | Traditional Chinese Font Card |
| Part # | Application Solutions |
| 35S2993 | MS510dn, MS610dn Card for IPDS |
| 35S2992 | MS510dn, MS610dn Forms and Bar Code Card |
| 35S2994 | MS510dn, MS610dn Card for PRESCRIBE Emulation |
| Part # | Connectivity |
| 1021294 | USB Cable (2-meter) |
| 27X0128 | Lexmark MarkNet 8352 802.11b/g/n Wireless |
| Part # | Extended Warranties |
| 2355778 | MS610 2-Years Total (1+1) Exchange Service |
| 2355779 | MS610 3-Years Total (1+2) Exchange Service |
| 2355780 | MS610 4-Years Total (1+3) Exchange Service |
| 2355781 | MS610 5-Years Total (1+4) Exchange Service |
| 2355782 | MS610 1-Year Exchange Service Renewal |
| 2355785 | MS610 Upgrade to Onsite Service |
| 2355786 | MS610 2-Years Total (1+1) Onsite Service |
| 2355787 | MS610 3-Years Total (1+2) Onsite Service |
| 2355788 | MS610 4-Years Total (1+3) Onsite Service |
| 2355789 | MS610 5-Years Total (1+4) Onsite Service |
| 2355790 | MS610 1-Year Onsite Service Renewal |

| Part # | Service Parts |
|---------|---|
| 40X8433 | MS610dn Fuser Maintenance Kit, 110-120V |



Lexmark MS610de

The Lexmark MS610de delivers. With its speed and reliability—plus innovative solutions and 2-sided printing—your business can handle document tasks more quickly and easily.

Print Technology

Monochrome Laser

Display

Lexmark e-Task 4.3-inch (10.9 cm) color touch screen

Print Speed (Letter, Black)

Up to 50 ppm

Print Speed (Letter, Black) Duplex

Up to 22 spm

Time to First Page (Black)

As fast as 6.5 seconds

Print Resolution, Black

600 x 600 dpi, 2400 Image Quality, 1200 Image Quality,

1200 x 1200 dpi

Processor

Dual Core, 800 MHz

Memory, Standard

512 MB

Memory, Maximum

2560 MB

Hard Disk

Option available

Expandable Memory Options

Yes

Apple Macintosh Operating Systems Supported

Mac OS X (10.5, 10.6, 10.7, 10.8)

Linux Operating Systems Supported

Fedora 14, 15, 16, 17, Linpus Linux Desktop 9.6, SUSE Linux Enterprise Server 10, 11, SUSE Linux Enterprise Desktop 10, 11, Red Hat Linux Desktop 6.0, Debian GNU/Linux 5.0, 6.0, Mint 9, 10, 11, 12, openSUSE 11.3, 11.4, 12.1, Ubuntu 11.04, 11.10, 12.04, Red Hat Enterprise Linux WS 4.0, 5.0, 6.0, PCLinuxOS 2011.9

Microsoft Windows Operating Systems Supported

Server 2012, 8 x64, 8, Windows 7, Server 2008 running Terminal Services, Server 2008, Vista, Server 2003 x64, XP, Server 2003, XP x64, Server 2003 running Terminal Services, Server 2003 x64 running Terminal Services, Vista x64, Server 2008 x64, Server 2008 x64 running Terminal Services, Windows 7 x64, Server 2008 R2, Server 2008 R2 running Terminal Services

Novell Operating Systems Supported

Open Enterprise Server on SUSE Linux Enterprise Server, NetWare 5.1 (SP 6+), 6.0 (SP 3+) with Novell Distributed Print Services (NDPS), NetWare 6.5 Open Enterprise Server

UNIX Operating Systems Supported

IBM AIX 5.3, 6.1, 7.1, HP-UX 11.11, 11.23, 11.31, Sun Solaris SPARC 9, 10, Sun Solaris x86 10, 11

Included Paper Handling

250-Sheet Output Bin, Integrated Duplex, 550-Sheet Input, 100-Sheet Multipurpose Feeder

Optional Paper Handling

550-Sheet Tray, 250-Sheet Tray

Paper Input Capacity, Standard: Up to

250 pages 20 lb or 75 gsm bond

Paper Input Capacity, Maximum: Up to

2300 pages 20 lb or 75 gsm bond

Paper Output Capacity, Standard: Up to

250 pages 20 lb or 75 gsm bond

Paper Output Capacity, Maximum: Up to

250 pages 20 lb or 75 gsm bond

Finishing Option

No

Number of Paper Inputs, Standard

2

Number of Paper Inputs, Maximum

5

Media Types Supported

Refer to the Card Stock & Label Guide, Plain Paper, Envelopes, Card Stock, Paper Labels, Transparencies

Media Sizes Supported

A6, Oficio, Universal, Statement, Folio, DL Envelope, A4, 7/34 Envelope, 10 Envelope, 9 Envelope, A5, Executive, JIS-B5, Legal, Letter

Standard Ports

Rear USB 2.0 Specification Hi-Speed Certified Port (Type A), One Internal Card Slot, USB 2.0 Specification Hi-Speed Certified (Type B), Gigabit Ethernet (10/100/1000), Front USB 2.0 Specification Hi-Speed Certified Port (Type A)

Optional Network Ports

MarkNet N8352 802.11b/g/n Wireless

Optional Local Ports

Internal 1284-B Bidirectional Parallel, Internal RS-232C serial

Network Printing Methods

IPP 1.0, 1.1, 2.0 (Internet Printing Protocol), Enhanced IP (Port 9400), LPR/LPD, Direct IP (Port 9100), FTP, TFTP, ThinPrint .print Integration

Network Protocol Support

UDP, TCP/IP IPv6, AppleTalk™, TCP, TCP/IP IPv4

Network Security

IPSec, SNMPv3, 802.1x Authentication: MD5, MSCHAPv2, LEAP, PEAP, TLS, TTLS

Printer Languages (Standard)

PDF 1.7 emulation, PCL 5e Emulation, PCL 6 Emulation, Personal Printer Data Stream (PPDS), PostScript 3 Emulation, Direct Image, Microsoft XPS (XML Paper Specification)

Laser Cartridge Yields

20,000*-page Ultra High Yield Cartridge, 10,000*-page Extra High Yield Cartridge, 5,000*-page Black High Yield Cartridge, 1,500*-page Cartridge

Cartridge(s) Shipping with Product

6,000*-page Starter Return Program Toner Cartridge

Replacement Cartridges:

Product functions only with replacement cartridges designed for use in a specific geographical region. See www.lexmark.com/regions for more details.

Packaged Size (mm - H x W x D)

431 x 477 x 489 mm

Size (mm - H x W x D)

306 x 399 x 396.5 mm

Packaged Size (in. - H x W x D)

17.0 x 18.8 x 19.3 in.

Size (in. - H x W x D)

12.1 x 15.7 x 15.6 in.

Weight (kg)

16.2 kg

Weight (lb.)

35.7 lb.

Noise Level, Idle

15 dBA

Print Noise Level, Operating

55 dBA

Product Warranty

1-Year Exchange Service, Next Business Day

Product Certifications

Energy Star V1.2, Blue Angel (RAL-UZ-122), CAN/CSA-C22.2 60950-1, CSA E60825-1, ICES-003 Class B, BSMI Class B, CNS 13438, VCCI Class B, US FDA, FCC Class B, UL 60950-1, IEC 320-1, EN/IEC 60320-1, CE Class B, CB IEC 60950-1, IEC 320-1, EN 62311, EN 60950-1, EN/IEC 61000-3, EN 55022 Class B, EN 55024, EN/IEC 60825-1, GS (TÜV), SEMKO, UL AR, CS, TÜV Rh, SMA C-tick mark Class B, CCC Class B, CISPIR 22 Class B, EK Mark, N Mark, ECMA-370, TED

Maximum Monthly Duty Cycle

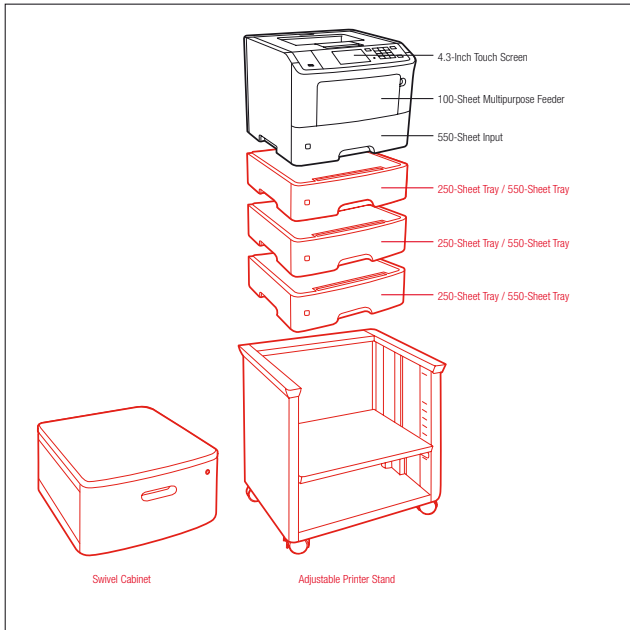
Up to 150,000 pages per month

Recommended Monthly Page Volume

3000 - 16000 pages

Specified Operating Environment

Altitude: 0 - 2896 Meters (9,500 Feet), Temperature: 16 to 32°C (60 to 90°F), Humidity: 8 to 80% Relative Humidity



Standard
 Optional

| Part # | Model |
|---------|-----------------|
| 35S0500 | Lexmark MS610de |

| Part # | Laser Toner/Print Cartridge |
|----------|--|
| 50F1U00 | 501U Ultra High Yield Return Program Toner Cartridge |
| 50F1X00 | 501X Extra High Yield Return Program Toner Cartridge |
| 50F1H00 | 501H High Yield Return Program Toner Cartridge |
| 50F1000 | 501 Return Program Toner Cartridge |
| 50FOZ00 | 500Z Black Return Program Imaging Unit |
| 50FOU0A0 | 500UA Ultra High Yield Toner Cartridge |
| 50FOZ0A0 | 500ZA Black Imaging Unit |

| Part # | Paper Handling |
|---------|----------------|
| 35S0567 | 550-Sheet Tray |
| 35S0267 | 250-Sheet Tray |

| Part # | Furniture |
|---------|--------------------------|
| 35S8502 | Adjustable Printer Stand |
| 3073173 | Swivel Cabinet |

| Part # | Memory Options |
|---------|-------------------------------|
| 57X9016 | 1024Mbx32 DDR3-DRAM |
| 57X9012 | 2048Mbx32 DDR3-DRAM |
| 57X9101 | 256MB Flash Memory Card |
| 27X0210 | 160+ GB Hard Disk |
| 57X9115 | Japanese Font Card |
| 57X9114 | Korean Font Card |
| 57X9112 | Simplified Chinese Font Card |
| 57X9110 | Traditional Chinese Font Card |

| Part # | Application Solutions |
|---------|--------------------------------------|
| 34S4501 | MS610de Card for IPDS |
| 34S4500 | MS610de Forms and Bar Code Card |
| 34S4502 | MS610de Card for PRESCRIBE Emulation |

| Part # | Connectivity |
|---------|---|
| 1021294 | USB Cable (2-meter) |
| 27X0128 | Lexmark Market 8352 802.11 b/g/n Wireless |
| 27X0901 | Parallel 1284-B Interface Card |
| 1021231 | Parallel Cable (10-foot) |
| 27X0900 | RS-232C Serial Interface Card |

| Part # | Extended Warranties |
|---------|--|
| 2355778 | MS610 2-Years Total (1+1) Exchange Service |
| 2355779 | MS610 3-Years Total (1+2) Exchange Service |
| 2355780 | MS610 4-Years Total (1+3) Exchange Service |
| 2355781 | MS610 5-Years Total (1+4) Exchange Service |
| 2355782 | MS610 1-Year Exchange Service Renewal |
| 2355785 | MS610 Upgrade to Onsite Service |
| 2355786 | MS610 2-Years Total (1+1) Onsite Service |

| | |
|---------|--|
| 2355787 | MS610 3-Years Total (1+2) Onsite Service |
| 2355788 | MS610 4-Years Total (1+3) Onsite Service |
| 2355789 | MS610 5-Years Total (1+4) Onsite Service |
| 2355790 | MS610 1-Year Onsite Service Renewal |

| Part # | Service Parts |
|---------|---|
| 40X8434 | MS610de Fuser Maintenance Kit, 110-120V |



Lexmark MS610dte

The Lexmark MS610dte delivers. With its speed and reliability—plus solutions, 2-sided printing and extra capacity—your business can handle document tasks more quickly and easily.

Print Technology

Monochrome Laser

Display

Lexmark e-Task 4.3-inch (10.9 cm) color touch screen

Print Speed (Letter, Black)

Up to 50 ppm

Print Speed (Letter, Black) Duplex

Up to 22 spm

Time to First Page (Black)

As fast as 6.5 seconds

Print Resolution, Black

600 x 600 dpi, 2400 Image Quality, 1200 Image Quality,

1200 x 1200 dpi

Processor

Dual Core, 800 MHz

Memory, Standard

512 MB

Memory, Maximum

2560 MB

Hard Disk

Option available

Expandable Memory Options

Yes

Apple Macintosh Operating Systems Supported

Mac OS X (10.5, 10.6, 10.7, 10.8)

Linux Operating Systems Supported

Fedora 14, 15, 16, 17, Linpus Linux Desktop 9.6, SUSE Linux Enterprise Server 10, 11, SUSE Linux Enterprise Desktop 10, 11, Red Hat Linux Desktop 6.0, Debian GNU/Linux 5.0, 6.0, Mint 9, 10, 11, 12, openSUSE 11.3, 11.4, 12.1, Ubuntu 11.04, 11.10, 12.04, Red Hat Enterprise Linux WS 4.0, 5.0, 6.0, PCLinuxOS 2011.9

Microsoft Windows Operating Systems Supported

Server 2012, 8 x64, 8, Windows 7, Server 2008 running Terminal Services, Server 2008, Vista, Server 2003 x64, XP, Server 2003, XP x64, Server 2003 running Terminal Services, Server 2003 x64 running Terminal Services, Vista x64, Server 2008 x64, Server 2008 x64 running Terminal Services, Windows 7 x64, Server 2008 R2, Server 2008 R2 running Terminal Services

Novell Operating Systems Supported

Open Enterprise Server on SUSE Linux Enterprise Server, NetWare 5.1 (SP 6+), 6.0 (SP 3+) with Novell Distributed Print Services (NDPS), NetWare 6.5 Open Enterprise Server

UNIX Operating Systems Supported

IBM AIX 5.3, 6.1, 7.1, HP-UX 11.11, 11.23, 11.31, Sun Solaris SPARC 9, 10, Sun Solaris x86 10, 11

Included Paper Handling

550-Sheet Tray, 550-Sheet Input, 100-Sheet Multipurpose Feeder, Integrated Duplex, 250-Sheet Output Bin

Optional Paper Handling

550-Sheet Tray, 250-Sheet Tray

Paper Input Capacity, Standard: Up to

1200 pages 20 lb or 75 gsm bond

Paper Input Capacity, Maximum: Up to

2300 pages 20 lb or 75 gsm bond

Paper Output Capacity, Standard: Up to

250 pages 20 lb or 75 gsm bond

Paper Output Capacity, Maximum: Up to

250 pages 20 lb or 75 gsm bond

Finishing Option

No

Number of Paper Inputs, Standard

3

Number of Paper Inputs, Maximum

5

Media Types Supported

Refer to the Card Stock & Label Guide, Plain Paper, Envelopes, Card Stock, Paper Labels, Transparencies

Media Sizes Supported

A6, Oficio, Universal, Statement, Folio, DL Envelope, A4, 7/34 Envelope, 10 Envelope, 9 Envelope, A5, Executive, JIS-B5, Legal, Letter

Standard Ports

Rear USB 2.0 Specification Hi-Speed Certified Port (Type A), One Internal Card Slot, USB 2.0 Specification Hi-Speed Certified (Type B), Gigabit Ethernet (10/100/1000), Front USB 2.0 Specification Hi-Speed Certified Port (Type A)

Optional Network Ports

MarkNet N8352 802.11b/g/n Wireless

Optional Local Ports

Internal 1284-B Bidirectional Parallel, Internal RS-232C serial

Network Printing Methods

IPP 1.0, 1.1, 2.0 (Internet Printing Protocol), Enhanced IP (Port 9400), LPR/LPD, Direct IP (Port 9100), FTP, TFTP, ThinPrint .print Integration

Network Protocol Support

UDP, TCP/IP IPv6, AppleTalk™, TCP, TCP/IP IPv4

Network Security

IPSec, SNMPv3, 802.1x Authentication: MD5, MSCHAPv2, LEAP, PEAP, TLS, TTLS

Printer Languages (Standard)

PDF 1.7 emulation, PCL 5e Emulation, PCL 6 Emulation, Personal Printer Data Stream (PPDS), PostScript 3 Emulation, Direct Image, Microsoft XPS (XML Paper Specification)

Laser Cartridge Yields

20,000*-page Ultra High Yield Cartridge, 10,000*-page Extra High Yield Cartridge, 5,000*-page Black High Yield Cartridge, 1,500*-page Cartridge

Cartridge(s) Shipping with Product

6,000*-page Starter Return Program Toner Cartridge

Replacement Cartridges:

Product functions only with replacement cartridges designed for use in a specific geographical region. See www.lexmark.com/regions for more details.

Packaged Size (mm - H x W x D)

611 x 477 x 489 mm

Size (mm - H x W x D)

414 x 399 x 396.5 mm

Packaged Size (in. - H x W x D)

24.1 x 18.8 x 19.3 in.

Size (in. - H x W x D)

16.3 x 15.7 x 15.6 in.

Weight (kg)

20.9 kg

Weight (lb.)

46.1 lb.

Noise Level, Idle

15 dBA

Print Noise Level, Operating

55 dBA

Product Warranty

1-Year Exchange Service, Next Business Day

Product Certifications

Energy Star V1.2, Blue Angel (RAL-UZ-122), CAN/CSA-C22.2 60950-1, CSA E60825-1, ICES-003 Class B, BSMI Class B, CNS 13438, VCCI Class B, US FDA, FCC Class B, UL 60950-1, IEC 320-1, EN/IEC 60320-1, CE Class B, CB IEC 60950-1, EN 62311, EN 60950-1, EN/IEC 61000-3, EN 55022 Class B, EN 55024, EN/IEC 60825-1, GS (TÜV), SEMKO, UL AR, CS, TÜV Rh, SMA C-tick mark Class B, CCC Class B, CISPR 22 Class B, EK Mark, N Mark, ECMA-370, TED

Maximum Monthly Duty Cycle

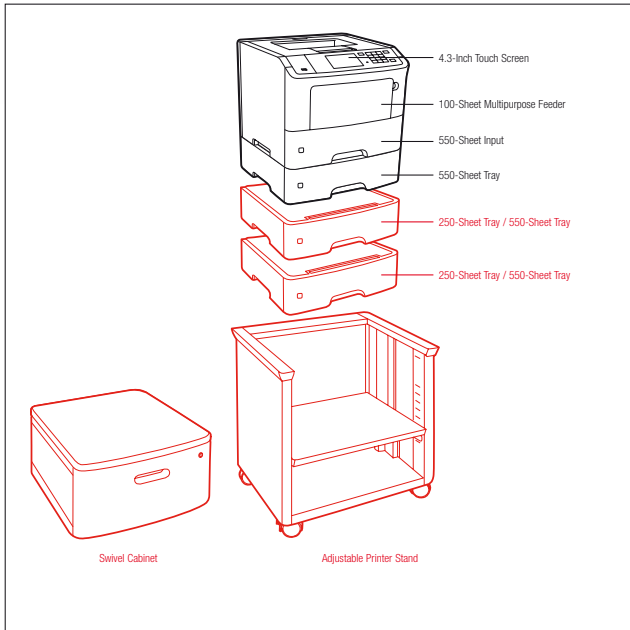
Up to 150000 pages per month

Recommended Monthly Page Volume

3000 - 16000 pages

Specified Operating Environment

Altitude: 0 - 2896 Meters (9,500 Feet), Temperature: 16 to 32°C (60 to 90°F), Humidity: 8 to 80% Relative Humidity



Standard
 Optional

| Part # | Model |
|---------|-----------------|
| 35S0550 | Lexmark MS610de |

| Part # | Laser Toner/Print Cartridge |
|---------|--|
| 50F1U00 | 501U Ultra High Yield Return Program Toner Cartridge |
| 50F1X00 | 501X Extra High Yield Return Program Toner Cartridge |
| 50F1H00 | 501H High Yield Return Program Toner Cartridge |
| 50F1000 | 501 Return Program Toner Cartridge |
| 50FOZ00 | 500Z Black Return Program Imaging Unit |
| 50FOU00 | 500UA Ultra High Yield Toner Cartridge |
| 50FOZ00 | 500ZA Black Imaging Unit |

| Part # | Paper Handling |
|---------|----------------|
| 35S0567 | 550-Sheet Tray |
| 35S0267 | 250-Sheet Tray |

| Part # | Furniture |
|---------|--------------------------|
| 35S8502 | Adjustable Printer Stand |
| 3073173 | Swivel Cabinet |

| Part # | Memory Options |
|---------|-------------------------------|
| 57X9016 | 1024MbX32 DDR3-DRAM |
| 57X9012 | 2048MbX32 DDR3-DRAM |
| 57X9101 | 256MB Flash Memory Card |
| 27X0210 | 160+ GB Hard Disk |
| 57X9115 | Japanese Font Card |
| 57X9114 | Korean Font Card |
| 57X9112 | Simplified Chinese Font Card |
| 57X9110 | Traditional Chinese Font Card |

| Part # | Application Solutions |
|---------|--------------------------------------|
| 34S4501 | MS610de Card for IPDS |
| 34S4500 | MS610de Forms and Bar Code Card |
| 34S4502 | MS610de Card for PRESCRIBE Emulation |

| Part # | Connectivity |
|---------|--|
| 1021294 | USB Cable (2-meter) |
| 27X0128 | Lexmark Market 8352 802.11b/g/n Wireless |
| 27X0901 | Parallel 1284-B Interface Card |
| 1021231 | Parallel Cable (10-foot) |
| 27X0900 | RS-232C Serial Interface Card |

| Part # | Extended Warranties |
|---------|--|
| 2355778 | MS610 2-Years Total (1+1) Exchange Service |
| 2355779 | MS610 3-Years Total (1+2) Exchange Service |
| 2355780 | MS610 4-Years Total (1+3) Exchange Service |
| 2355781 | MS610 5-Years Total (1+4) Exchange Service |
| 2355782 | MS610 1-Year Exchange Service Renewal |
| 2355785 | MS610 Upgrade to Onsite Service |
| 2355786 | MS610 2-Years Total (1+1) Onsite Service |

| | |
|---------|--|
| 2355787 | MS610 3-Years Total (1+2) Onsite Service |
| 2355788 | MS610 4-Years Total (1+3) Onsite Service |
| 2355789 | MS610 5-Years Total (1+4) Onsite Service |
| 2355790 | MS610 1-Year Onsite Service Renewal |

| Part # | Service Parts |
|---------|---|
| 40X8434 | MS610de Fuser Maintenance Kit, 110-120V |



Lexmark MS710dn

Talk about a top performer. With blazing print speeds, 2-sided printing, networking and multiple finishing styles, the Lexmark MS710dn satisfies the most demanding enterprise.

Print Technology

Monochrome Laser

Display

2.4-inch (6 cm) color LCD display

Print Speed (Letter, Black)

Up to 50 ppm

Print Speed (Letter, Black) Duplex

Up to 31 ppm

Time to First Page (Black)

As fast as 8 seconds

Print Resolution, Black

600 x 600 dpi, 2400 Image Quality, 1200 Image Quality

Processor

Dual Core, 800 MHz

Memory, Standard

512 MB

Memory, Maximum

2560 MB

Hard Disk

Option available

Expandable Memory Options

Yes

Apple Macintosh Operating Systems Supported

Mac OS X (10.5, 10.6, 10.7, 10.8)

Linux Operating Systems Supported

Fedora 14, 15, 16, 17, Linpus Linux Desktop 9.6, SUSE Linux Enterprise Server 10, 11, SUSE Linux Enterprise Desktop 10, 11, Red Flag Linux Desktop 6.0, Debian GNU/Linux 5.0, 6.0, Mint 9, 10, 11, 12, openSUSE 11.3, 11.4, 12.1, Ubuntu 11.04, 11.10, 12.04, Red Hat Enterprise Linux WS 4.0, 5.0, 6.0, PCLinuxOS 2011.9

Microsoft Windows Operating Systems Supported

Server 2012, 8 x64, 8, Windows 7, Server 2008 running Terminal Services, Server 2008, Vista, Server 2003 x64, XP, Server 2003, XP x64, Server 2003 running Terminal Services, Server 2003 x64 running Terminal Services, Vista x64, Server 2008 x64, Server 2008 x64 running Terminal Services, Windows 7 x64, Server 2008 R2, Server 2008 R2 running Terminal Services

Novell Operating Systems Supported

Open Enterprise Server on SUSE Linux Enterprise Server, NetWare 5.1 (SP 6+), 6.0 (SP 3+) with Novell Distributed Print Services (NDPS), NetWare 6.5 Open Enterprise Server

UNIX Operating Systems Supported

IBM AIX 5.3, 6.1, 7.1, HP-UX 11.11, 11.23, 11.31, Sun Solaris SPARC 9, 10, Sun Solaris x86 10, 11

Included Paper Handling

Integrated Duplex, 550-Sheet Input, 550-Sheet Output Bin, 100-Sheet Multipurpose Feeder

Optional Paper Handling

Output Expander, 4-Bin Mailbox, 250-Sheet Lockable Tray, 550-Sheet Tray, 250-Sheet Tray, 2100-Sheet Tray, 550-Sheet Lockable Tray, Staple Finisher, High Capacity Output Expander

Paper Input Capacity, Standard: Up to

350 pages 20 lb or 75 gsm bond

Paper Input Capacity, Maximum: Up to

4100 pages 20 lb or 75 gsm bond

Paper Output Capacity, Standard: Up to

550 pages 20 lb or 75 gsm bond

Paper Output Capacity, Maximum: Up to

2450 pages 20 lb or 75 gsm bond

Finishing Option

Yes

Number of Paper Inputs, Standard

2

Number of Paper Inputs, Maximum

6

Media Types Supported

Refer to the Card Stock & Label Guide. Plain Paper, Integrated Labels, Card Stock, Dual Web Labels, Paper Labels, Polyester Labels, Vinyl Labels, Transparencies

Media Sizes Supported

A6, Office, Universal, Statement, Folio, A5, A4, Executive, JIS-B5, Legal, Letter

Standard Ports

Front USB 2.0 Specification Hi-Speed Certified Port (Type A), One Internal Card Slot, USB 2.0 Specification Hi-Speed Certified (Type B), Gigabit Ethernet (10/100/1000)

Optional Network Ports

Internal MarkNet N8350 802.11b/g/n Wireless

Optional Local Ports

Internal 1284-B Bidirectional Parallel, Internal RS-232C serial

Network Printing Methods

IPP 1.0, 1.1, 2.0 (Internet Printing Protocol), FTP, TFTP, Direct IP (Port 9100), LPR/LPD, Enhanced IP (Port 9400), ThinPrint .print integration, Telnet

Network Protocol Support

UDP, TCP/IP IPv6, AppleTalk™, TCP, TCP/IP IPv4

Network Security

IPSec, SNMPv3, 802.1x Authentication: MD5, MSCHAPv2, LEAP, PEAP, TLS, TTLS

Printer Languages (Standard)

PDF 1.7 emulation, Direct Image, PCL 5e Emulation, PCL 6 Emulation, Personal Printer Data Stream (PPDS), PostScript 3 Emulation, Microsoft XPS (XML Paper Specification)

Laser Cartridge Yields

25,000*-page High Yield Cartridge, 6,000*-page Cartridge

Cartridge(s) Shipping with Product

10,000*-page Starter Return Program Toner Cartridge

Replacement Cartridges:

Product functions only with replacement cartridges designed for use in a specific geographical region. See www.lexmark.com/regions for more details.

Packaged Size (mm - H x W x D)

563 x 615 x 537 mm

Size (mm - H x W x D)

390 x 425 x 510 mm

Packaged Size (in. - H x W x D)

22.2 x 24.2 x 21.1 in.

Size (in. - H x W x D)

15.4 x 16.7 x 20.1 in.

Weight (kg)

23.13 kg

Weight (lb.)

51.0 lb.

Noise Level, Idle

32 dBA

Print Noise Level, Operating

55 dBA

Product Warranty

1-Year Exchange or Onsite Service, Next Business Day

Product Certifications

Energy Star V1.2, Blue Angel (RAL-UZ-122), CAN/CSA-C22.2 60950-1, CSA E60825-1, ICES-003 Class B, BSMI Class B, CNS 13438, VCCI Class B, US FDA, FCC Class B, UL 60950-1, IEC 320-1, EN/IEC 60320-1, CE Class B, CB IEC 60950-1, EN 62311, EN 60950-1, EN/IEC 61000-3, EN 55022 Class B, EN 55024, EN/IEC 60825-1, GS (TÜV), SEMKO, UL AR, CS, TÜV Rh, SMA C-tick mark Class B, CCC Class B, CISPIR 22 Class B, EK Mark, N Mark, ECMA-370, TED

Maximum Monthly Duty Cycle

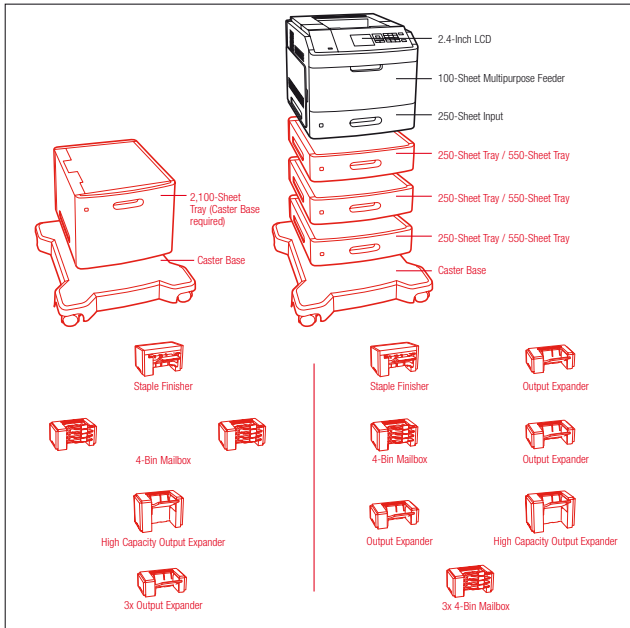
Up to 250,000 pages per month

Recommended Monthly Page Volume

3000 - 20,000 pages

Specified Operating Environment

Altitude: 0 - 2896 Meters (9,500 Feet), Humidity: 8 to 80% Relative Humidity, Temperature: 16 to 32°C (60 to 90°F)



■ Standard
■ Optional

| Part # | Model |
|---------|-----------------|
| 40G0510 | Lexmark MS710dn |

| Part # | Laser Toner/Print Cartridge |
|---------|--|
| 52D1H0L | 521HL High Yield Return Program Toner Cartridge for Labels |
| 52D0HA0 | 520HA High Yield Toner Cartridge |
| 52D0Z00 | 520Z Black Return Program Imaging Unit |
| 52D0ZA0 | 520ZA Black Imaging Unit |
| 25A0013 | Staple Cartridges (3 pack) |

| Part # | Paper Handling |
|---------|-------------------------------|
| 40G0804 | 2100-Sheet Tray |
| 40G0800 | 250-Sheet Tray |
| 40G0802 | 550-Sheet Tray |
| 40G0820 | 250-Sheet Lockable Tray |
| 40G0822 | 550-Sheet Lockable Tray |
| 40G0852 | 4-Bin Mailbox |
| 40G0851 | Output Expander |
| 40G0853 | High Capacity Output Expander |
| 40G0850 | Staple Finisher |
| 40G0854 | 4.3 in. (11 cm) Spacer |

| Part # | Furniture |
|---------|----------------|
| 40G0855 | Caster Base |
| 3073173 | Swivel Cabinet |

| Part # | Memory Options |
|---------|-------------------------------|
| 57X9016 | 1024MBx32 DDR3-DRAM |
| 57X9012 | 2048MBx32 DDR3-DRAM |
| 57X9101 | 256MB Flash Memory Card |
| 27X0200 | 160+ GB Hard Disk |
| 57X9115 | Japanese Font Card |
| 57X9114 | Korean Font Card |
| 57X9112 | Simplified Chinese Font Card |
| 57X9110 | Traditional Chinese Font Card |

| Part # | Application Solutions |
|---------|--|
| 40G0811 | MS71x, MS81xn, dn Card for IPDS |
| 40G0810 | MS71x, MS81xn, dn Forms and Bar Code Card |
| 40G0817 | MS71x, MS81xn, dn Card for PRESCRIBE Emulation |

| Part # | Connectivity |
|---------|---|
| 1021294 | USB Cable (2-meter) |
| 27X0225 | MarkNet N8350 802.11b/g/n Wireless Print Server |
| 14F0000 | Parallel 1284-B Interface Card |
| 1021231 | Parallel Cable (10-foot) |
| 14F0100 | RS-232C Serial Interface Card |

| Part # | Extended Warranties |
|---------|--|
| 2355962 | MS710 2-Years Total (1+1) Exchange Service |

| | |
|---------|--|
| 2355963 | MS710 3-Years Total (1+2) Exchange Service |
| 2355964 | MS710 4-Years Total (1+3) Exchange Service |
| 2355965 | MS710 5-Years Total (1+4) Exchange Service |
| 2355966 | MS710 1-Year Exchange Service Renewal |
| 2355969 | MS710 Upgrade to Onsite Service |
| 2355970 | MS710 2-Years Total (1+1) Onsite Service |
| 2355971 | MS710 3-Years Total (1+2) Onsite Service |
| 2355972 | MS710 4-Years Total (1+3) Onsite Service |
| 2355973 | MS710 5-Years Total (1+4) Onsite Service |
| 2355974 | MS710 1-Year Onsite Service Renewal |

| Part # | User Replaceable Parts |
|---------|---|
| 40X8530 | MS71x Return Program Fuser Maintenance kit, 110-120V, Type 11 |
| 40X8503 | MS71x Return Program Fuser, 110-120V, Type 11 |
| 40X8533 | MS71x Fuser Maintenance kit, 110-120V, Type 17 |
| 40X8506 | MS710, MS711 Fuser, 110-120V, Type 17 |
| 40X7582 | Transfer Roller |
| 40X7593 | Media Pick Roller |
| 40X7713 | Separation Roller |
| 40X8579 | Fuser Wiper |



Lexmark MS711dn

Talk about a top performer. With blazing print speeds, 2-sided printing, networking and multiple finishing styles, the Lexmark MS711dn satisfies the most demanding enterprise.

Print Technology

Monochrome Laser

Display

2.4-inch (6 cm) color LCD display

Print Speed (Letter, Black)

Up to 55 ppm

Print Speed (Letter, Black) Duplex

Up to 34 ppm

Time to First Page (Black)

As fast as 8 seconds

Print Resolution, Black

600 x 600 dpi, 2400 Image Quality, 1200 Image Quality

Processor

Dual Core, 800 MHz

Memory, Standard

512 MB

Memory, Maximum

2560 MB

Hard Disk

Option available

Expandable Memory Options

Yes

Apple Macintosh Operating Systems Supported

Mac OS X (10.5, 10.6, 10.7, 10.8)

Linux Operating Systems Supported

Fedora 14, 15, 16, 17, Linpus Linux Desktop 9.6, SUSE Linux Enterprise Server 10, 11, SUSE Linux Enterprise Desktop 10, 11, Red Hat Linux Desktop 6.0, Debian GNU/Linux 5.0, 6.0, Mint 9, 10, 11, 12, openSUSE 11.3, 11.4, 12.1, Ubuntu 11.04, 11.10, 12.04, Red Hat Enterprise Linux WS 4.0, 5.0, 6.0, PCLinuxOS 2011.9

Microsoft Windows Operating Systems Supported

Server 2012, 8 x64, 8, Windows 7, Server 2008 running Terminal Services, Server 2008, Vista, Server 2003 x64, XP, Server 2003, XP x64, Server 2003 running Terminal Services, Server 2003 x64 running Terminal Services, Vista x64, Server 2008 x64, Server 2008 x64 running Terminal Services, Windows 7 x64, Server 2008 R2, Server 2008 R2 running Terminal Services

Novell Operating Systems Supported

Open Enterprise Server on SUSE Linux Enterprise Server, NetWare 5.1 (SP 6+), 6.0 (SP 3+) with Novell Distributed Print Services (NDPS), NetWare 6.5 Open Enterprise Server

UNIX Operating Systems Supported

IBM AIX 5.3, 6.1, 7.1, HP-UX 11.11, 11.23, 11.31, Sun Solaris SPARC 9, 10, Sun Solaris x86 10, 11

Included Paper Handling

Integrated Duplex, 100-Sheet Multipurpose Feeder, 550-Sheet Input, 550-Sheet Output Bin

Optional Paper Handling

Output Expander, High Capacity Output Expander, 4-Bin Mailbox, 250-Sheet Lockable Tray, 550-Sheet Tray, 250-Sheet Tray, 2100-Sheet Tray, 550-Sheet Lockable Tray, Staple Finisher

Paper Input Capacity, Standard: Up to

650 pages 20 lb or 75 gsm bond

Paper Input Capacity, Maximum: Up to

4400 pages 20 lb or 75 gsm bond

Paper Output Capacity, Standard: Up to

550 pages 20 lb or 75 gsm bond

Paper Output Capacity, Maximum: Up to

2450 pages 20 lb or 75 gsm bond

Finishing Option

Yes

Number of Paper Inputs, Standard

2

Number of Paper Inputs, Maximum

6

Media Types Supported

Refer to the Card Stock & Label Guide, Plain Paper, Integrated Labels, Card Stock, Dual Web Labels, Paper Labels, Polyester Labels, Vinyl Labels, Transparencies

Media Sizes Supported

A6, Office, Universal, Statement, Folio, A5, A4, Executive, JIS-B5, Legal, Letter

Standard Ports

Front USB 2.0 Specification Hi-Speed Certified Port (Type A), One Internal Card Slot, USB 2.0 Specification Hi-Speed Certified (Type B), Gigabit Ethernet (10/100/1000)

Optional Network Ports

Internal MarkNet N8350 802.11b/g/n Wireless

Optional Local Ports

Internal 1284-B Bidirectional Parallel, Internal RS-232C serial

Network Printing Methods

IPP 1.0, 1.1, 2.0 (Internet Printing Protocol), FTP, TFTP, Direct IP (Port 9100), LPR/LPD, Enhanced IP (Port 9400), ThinPrint .print integration, Telnet

Network Protocol Support

UDP, TCP/IP IPv6, AppleTalk™, TCP, TCP/IP IPv4

Network Security

IPSec, SNMPv3, 802.1x Authentication: MD5, MSCHAPv2, LEAP, PEAP, TLS, TTLS

Printer Languages (Standard)

PDF 1.7 emulation, Direct Image, PCL 5e Emulation, PCL 6 Emulation, Personal Printer Data Stream (PPDS), PostScript 3 Emulation, Microsoft XPS (XML Paper Specification)

Laser Cartridge Yields

45,000*-page Extra High Yield Cartridge, 25,000*-page High Yield Cartridge, 6,000*-page Cartridge

Cartridge(s) Shipping with Product

10,000*-page Starter Return Program Toner Cartridge

Replacement Cartridges:

Product functions only with replacement cartridges designed for use in a specific geographical region. See www.lexmark.com/regions for more details.

Packaged Size (mm - H x W x D)

563 x 615 x 537 mm

Size (mm - H x W x D)

419 x 425 x 510 mm

Packaged Size (in. - H x W x D)

22.2 x 24.2 x 21.1 in.

Size (in. - H x W x D)

16.5 x 16.7 x 20.1 in.

Weight (kg)

23.77 kg

Weight (lb.)

52.4 lb.

Noise Level, Idle

33 dBA

Print Noise Level, Operating

56 dBA

Product Warranty

1-Year Exchange or Onsite Service, Next Business Day

Product Certifications

Energy Star V1.2, Blue Angel (RAL-UZ-122), CAN/CSA-C22.2 60950-1, CSA E60825-1, ICES-003 Class B, BSMI Class B, CNS 13438, VCCI Class B, US FDA, FCC Class B, UL 60950-1, IEC 320-1, EN/IEC 60320-1, CE Class B, CB IEC 60950-1, EN 62311, EN 60950-1, EN/IEC 61000-3, EN 55022 Class B, EN 55024, EN/IEC 60825-1, GS (TÜV), SEMKO, UL AR, CS, TÜV Rh, SMA C-tick mark Class B, CCC Class B, CISPIR 22 Class B, EK Mark, N Mark, ECMA-370, TED

Maximum Monthly Duty Cycle

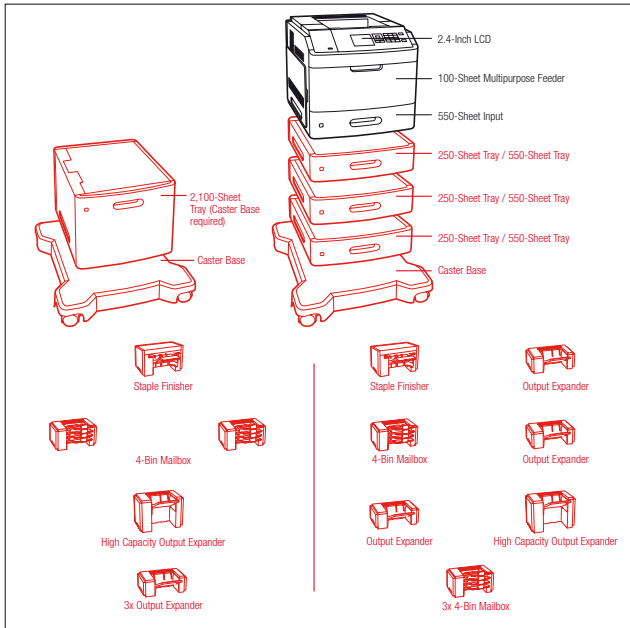
Up to 300,000 pages per month

Recommended Monthly Page Volume

5000 - 50,000 pages

Specified Operating Environment

Altitude: 0 - 2896 Meters (9,500 Feet), Humidity: 8 to 80% Relative Humidity, Temperature: 16 to 32°C (60 to 90°F)



Standard
 Optional

| Part # | Model |
|---------|-----------------|
| 40G0610 | Lexmark MS711dn |

| Part # | Laser Toner/Print Cartridge |
|---------|--|
| 52D1X0L | 521XL Extra High Yield Return Program Toner Cartridge for Labels |
| 52D1H0L | 521HL High Yield Return Program Toner Cartridge for Labels |
| 52D0XA0 | 520XA Extra High Yield Toner Cartridge |
| 52D0Z00 | 520Z Black Return Program Imaging Unit |
| 52D0ZA0 | 520ZA Black Imaging Unit |
| 25A0013 | Staple Cartridges (3 pack) |

| Part # | Paper Handling |
|---------|-------------------------------|
| 40G0804 | 2100-Sheet Tray |
| 40G0800 | 250-Sheet Tray |
| 40G0802 | 550-Sheet Tray |
| 40G0820 | 250-Sheet Lockable Tray |
| 40G0822 | 550-Sheet Lockable Tray |
| 40G0852 | 4-Bin Mailbox |
| 40G0851 | Output Expander |
| 40G0853 | High Capacity Output Expander |
| 40G0850 | Staple Finisher |
| 40G0854 | 4.3 in. (11 cm) Spacer |

| Part # | Furniture |
|---------|----------------|
| 40G0855 | Caster Base |
| 3073173 | Swivel Cabinet |

| Part # | Memory Options |
|---------|-------------------------------|
| 57X9016 | 1024MBx32 DDR3-DRAM |
| 57X9012 | 2048MBx32 DDR3-DRAM |
| 57X9101 | 256MB Flash Memory Card |
| 27X0200 | 160+ GB Hard Disk |
| 57X9115 | Japanese Font Card |
| 57X9114 | Korean Font Card |
| 57X9112 | Simplified Chinese Font Card |
| 57X9110 | Traditional Chinese Font Card |

| Part # | Application Solutions |
|---------|--|
| 40G0811 | MS71x, MS81xn, dn Card for IPDS |
| 40G0810 | MS71x, MS81xn, dn Forms and Bar Code Card |
| 40G0817 | MS71x, MS81xn, dn Card for PRESCRIBE Emulation |

| Part # | Connectivity |
|---------|---|
| 1021294 | USB Cable (2-meter) |
| 27X0225 | MarkNet N8350 802.11b/g/n Wireless Print Server |
| 14F0000 | Parallel 1284-B Interface Card |
| 1021231 | Parallel Cable (10-foot) |
| 14F0100 | RS-232C Serial Interface Card |

| Part # | Extended Warranties |
|---------|--|
| 2356008 | MS711 2-Years Total (1+1) Exchange Service |

| | |
|---------|--|
| 2356009 | MS711 3-Years Total (1+2) Exchange Service |
| 2356010 | MS711 4-Years Total (1+3) Exchange Service |
| 2356011 | MS711 5-Years Total (1+4) Exchange Service |
| 2356012 | MS711 1-Year Exchange Service Renewal |
| 2356015 | MS711 Upgrade to Onsite Service |
| 2356016 | MS711 2-Years Total (1+1) Onsite Service |
| 2356017 | MS711 2-Years Total (1+2) Onsite Service |
| 2356018 | MS711 4-Years Total (1+3) Onsite Service |
| 2356019 | MS711 5-Years Total (1+4) Onsite Service |
| 2356020 | MS711 1-Year Onsite Service Renewal |

| Part # | User Replaceable Parts |
|---------|---|
| 40X8530 | MS71x Return Program Fuser Maintenance Kit, 110-120V, Type 11 |
| 40X8503 | MS71x Return Program Fuser, 110-120V, Type 11 |
| 40X8533 | MS71x Fuser Maintenance Kit, 110-120V, Type 17 |
| 40X8506 | MS710, MS711 Fuser, 110-120V, Type 17 |
| 40X7582 | Transfer Roller |
| 40X7593 | Media Pick Roller |
| 40X7713 | Separation Roller |
| 40X8579 | Fuser Wiper |



Lexmark MS810n

Talk about a top performer. With blazing print speeds, networking and multiple finishing styles, the Lexmark MS810n satisfies the most demanding enterprise.

Print Technology

Monochrome Laser

Display

2.4-inch (6 cm) color LCD display

Print Speed (Letter, Black)

Up to 55 ppm

Time to First Page (Black)

As fast as 4.8 seconds

Print Resolution, Black

600 x 600 dpi, 2400 Image Quality, 1200 x 1200 dpi, 1200 Image Quality

Processor

Dual Core, 800 MHz

Memory, Standard

512 MB

Memory, Maximum

2560 MB

Hard Disk

Option available

Expandable Memory Options

Yes

Apple Macintosh Operating Systems Supported

Mac OS X (10.5, 10.6, 10.7, 10.8)

Linux Operating Systems Supported

Fedora 14, 15, 16, 17, Linpus Linux Desktop 9.6, SUSE Linux Enterprise Server 10, 11, SUSE Linux Enterprise Desktop 10, 11, Red Flag Linux Desktop 6.0, Debian GNU/Linux 5.0, 6.0, Mint 9, 10, 11, 12, openSUSE 11.3, 11.4, 12.1, Ubuntu 11.04, 11.10, 12.04, Red Hat Enterprise Linux WS 4.0, 5.0, 6.0, PCLinuxOS 2011.9

Microsoft Windows Operating Systems Supported

Server 2012, 8, 8 x64, Server 2008 R2 running Terminal Services, Windows 7 x64, Server 2008 x64 running Terminal Services, Server 2008 x64, Vista x64, XP, Server 2003, XP x64, Server 2003 running Terminal Services, Server 2003 x64, Server 2003 x64 running Terminal Services, Vista, Server 2008, Server 2008 running Terminal Services, Windows 7, Server 2008 R2

Novell Operating Systems Supported

Open Enterprise Server on SUSE Linux Enterprise Server, NetWare 6.5 Open Enterprise Server, NetWare 5.1 (SP 6+), 6.0 (SP 3+) with Novell Distributed Print Services (NDPS)

UNIX Operating Systems Supported

IBM AIX 5.3, 6.1, 7.1, Sun Solaris x86 10, 11, Sun Solaris SPARC 9, 10, HP-UX 11.11, 11.23, 11.31

Included Paper Handling

550-Sheet Output Bin, 100-Sheet Multipurpose Feeder, 550-Sheet Input

Optional Paper Handling

Output Expander, High Capacity Output Expander, Staple Finisher, 4-Bin Mailbox, 250-Sheet Lockable Tray, 550-Sheet Tray, 250-Sheet Tray, 2100-Sheet Tray, 550-Sheet Lockable Tray

Paper Input Capacity, Standard: Up to

650 pages 20 lb or 75 gsm bond

Paper Input Capacity, Maximum: Up to

4400 pages 20 lb or 75 gsm bond

Paper Output Capacity, Standard: Up to

550 pages 20 lb or 75 gsm bond

Paper Output Capacity, Maximum: Up to

2550 pages 20 lb or 75 gsm bond

Finishing Option

Yes

Number of Paper Inputs, Standard

2

Number of Paper Inputs, Maximum

6

Media Types Supported

Refer to the Card Stock & Label Guide, Paper Labels, Integrated Labels, Dual Web Labels, Card Stock, Envelopes, Transparencies, Plain Paper

Media Sizes Supported

A6, Oficio, Universal, Statement, Folio, DL Envelope, B5 Envelope, A4, 7 3/4 Envelope, 10 Envelope, 9 Envelope, A5, C5 Envelope, Executive, JIS-B5, Legal, Letter

Standard Ports

Front USB 2.0 Specification Hi-Speed Certified Port (Type A), One Internal Card Slot, USB 2.0 Specification Hi-Speed Certified (Type B), Gigabit Ethernet (10/100/1000)

Optional Network Ports

Internal MarkNet N8350 802.11b/g/n Wireless

Optional Local Ports

Internal 1284-B Bidirectional Parallel, Internal RS-232C serial

Network Printing Methods

IPP 1.0, 1.1, 2.0 (Internet Printing Protocol), Telnet, ThinPrint .print integration, Enhanced IP (Port 9400), LPR/LPD, Direct IP (Port 9100), FTP, TFTP

Network Protocol Support

UDP, TCP/IP IPv4, AppleTalk™, TCP/IP IPv6, TCP

Network Security

IPSec, 802.1x Authentication: MD5, MSCHAPv2, LEAP, PEAP, TLS, TTLS, SNMPv3

Printer Languages (Standard)

PDF 1.7 emulation, Direct Image, PCL 5e Emulation, PCL 6 Emulation, Personal Printer Data Stream (PPDS), PostScript 3 Emulation, Microsoft XPS (XML Paper Specification)

Laser Cartridge Yields

25,000*-page High Yield Cartridge, 6,000*-page Cartridge

Cartridge(s) Shipping with Product

10,000*-page Starter Return Program Toner Cartridge

Replacement Cartridges:

Product functions only with replacement cartridges designed for use in a specific geographical region. See www.lexmark.com/regions for more details.

Packaged Size (mm - H x W x D)

563 x 615 x 537 mm

Size (mm - H x W x D)

419 x 425 x 510 mm

Packaged Size (in. - H x W x D)

22.2 x 24.2 x 21.1 in.

Size (in. - H x W x D)

16.5 x 16.7 x 20.1 in.

Weight (kg)

23.66 kg

Weight (lb.)

52.2 lb.

Noise Level, Idle

32 dBA

Print Noise Level, Operating

56 dBA

Product Warranty

1-Year Exchange Service, Next Business Day

Product Certifications

Energy Star V1.2, Blue Angel (RAL-UZ-122), CAN/CSA-C22.2 60950-1, CSA E60825-1, ICES-003 Class B, BSMI Class B, CNS 13438, VCCI Class B, US FDA, FCC Class B, UL 60950-1, IEC 320-1, EN/IEC 60320-1, CE Class B, CB IEC 60950-1, EN 62311, EN 60950-1, EN/IEC 61000-3, EN 55022 Class B, EN 55024, EN/IEC 60825-1, GS (TÜV), SEMKO, UL AR, CS, TÜV Rh, SMA C-tick mark Class B, CCC Class B, CISPIR 22 Class B, EK Mark, N Mark, ECMA-370, TED

Maximum Monthly Duty Cycle

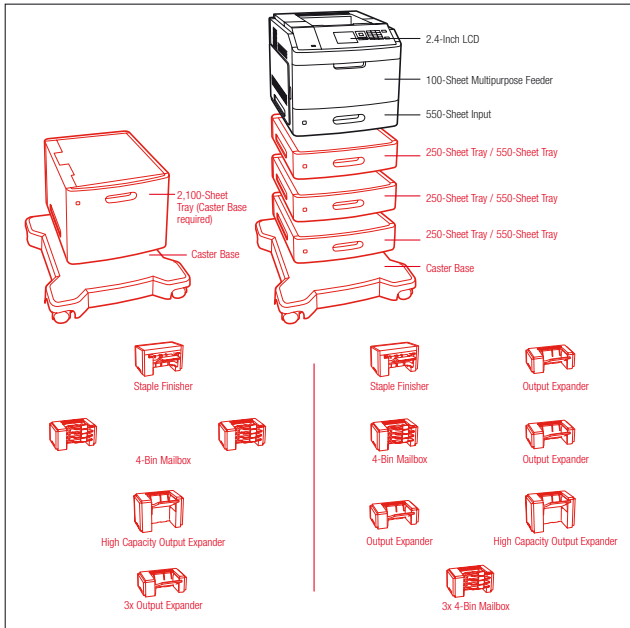
Up to 250,000 pages per month

Recommended Monthly Page Volume

3000 - 20,000 pages

Specified Operating Environment

Altitude: 0 - 2896 Meters (9,500 Feet), Humidity: 8 to 80% Relative Humidity, Temperature: 16 to 32°C (60 to 90°F)



Standard
 Optional

MONOCHROME LASER

| Part # | Model |
|---------|----------------|
| 40G0100 | Lexmark MS810n |

| Part # | Laser Toner/Print Cartridge |
|---------|--|
| 52D1H00 | 521H High Yield Return Program Toner Cartridge |
| 52D1000 | 521 Return Program Toner Cartridge |
| 52D0HA0 | 520HA High Yield Toner Cartridge |
| 52D0Z00 | 520Z Black Return Program Imaging Unit |
| 52D0ZA0 | 520ZA Black Imaging Unit |
| 25A0013 | Staple Cartridges (3 pack) |

| Part # | Paper Handling |
|---------|-------------------------------|
| 40G0804 | 2100-Sheet Tray |
| 40G0800 | 250-Sheet Tray |
| 40G0802 | 550-Sheet Tray |
| 40G0820 | 250-Sheet Lockable Tray |
| 40G0822 | 550-Sheet Lockable Tray |
| 40G0852 | 4-Bin Mailbox |
| 40G0851 | Output Expander |
| 40G0853 | High Capacity Output Expander |
| 40G0850 | Staple Finisher |
| 40G0854 | 4.3 in. (11 cm) Spacer |

| Part # | Furniture |
|---------|----------------|
| 40G0855 | Caster Base |
| 3073173 | Swivel Cabinet |

| Part # | Memory Options |
|---------|-------------------------------|
| 57X9016 | 1024MBx32 DDR3-DRAM |
| 57X9012 | 2048MBx32 DDR3-DRAM |
| 57X9101 | 256MB Flash Memory Card |
| 27X0200 | 160+ GB Hard Disk |
| 57X9115 | Japanese Font Card |
| 57X9114 | Korean Font Card |
| 57X9112 | Simplified Chinese Font Card |
| 57X9110 | Traditional Chinese Font Card |

| Part # | Application Solutions |
|---------|--|
| 40G0811 | MS71x, MS81xn, dn Card for IPDS |
| 40G0810 | MS71x, MS81xn, dn Forms and Bar Code Card |
| 40G0817 | MS71x, MS81xn, dn Card for PRESCRIBE Emulation |

| Part # | Connectivity |
|---------|---|
| 1021294 | USB Cable (2-meter) |
| 27X0225 | MarkNet N8350 802.11b/g/n Wireless Print Server |
| 14F0000 | Parallel 1284-B Interface Card |
| 1021231 | Parallel Cable (10-foot) |
| 14F0100 | RS-232C Serial Interface Card |

| Part # | Extended Warranties |
|---------|--|
| 2355824 | MS810 2-Years Total (1+1) Exchange Service |

| | |
|---------|--|
| 2355825 | MS810 3-Years Total (1+2) Exchange Service |
| 2355826 | MS810 4-Years Total (1+3) Exchange Service |
| 2355827 | MS810 5-Years Total (1+4) Exchange Service |
| 2355828 | MS810 1-Year Exchange Service Renewal |
| 2355831 | MS810 Upgrade to Onsite Service |
| 2355832 | MS810 2-Years Total (1+1) Onsite Service |
| 2355833 | MS810 3-Years Total (1+2) Onsite Service |
| 2355834 | MS810 4-Years Total (1+3) Onsite Service |
| 2355835 | MS810 5-Years Total (1+4) Onsite Service |
| 2355836 | MS810 1-Year Onsite Service Renewal |

| Part # | User Replaceable Parts |
|---------|--|
| 40X8420 | Return Program Fuser Maintenance kit, 110-120V Type 00, Letter |
| 40X7706 | Roller Maintenance Kit |
| 40X7743 | Return Program Fuser, 110-120V Type 00, Letter |
| 40X8425 | Fuser Maintenance kit, 110-120V, Type 05, Letter |
| 40X8016 | Fuser, 110-120V Type 05, Letter |



Lexmark MS810dn

Talk about a top performer. With blazing print speeds, 2-sided printing, networking and multiple finishing styles, the Lexmark MS810dn satisfies the most demanding enterprise.

Print Technology

Monochrome Laser

Display

2.4-inch (6 cm) color LCD display

Print Speed (Letter, Black)

Up to 55 ppm

Print Speed (Letter, Black) Duplex

Up to 33 ppm

Time to First Page (Black)

As fast as 4.8 seconds

Print Resolution, Black

600 x 600 dpi, 2400 Image Quality, 1200 Image Quality,

1200 x 1200 dpi

Processor

Dual Core, 800 MHz

Memory, Standard

512 MB

Memory, Maximum

2560 MB

Hard Disk

Option available

Expandable Memory Options

Yes

Apple Macintosh Operating Systems Supported

Mac OS X (10.5, 10.6, 10.7, 10.8)

Linux Operating Systems Supported

Fedora 14, 15, 16, 17, Linpus Linux Desktop 9.6, SUSE Linux Enterprise Server 10, 11, SUSE Linux Enterprise Desktop 10, 11, Red Flag Linux Desktop 6.0, Debian GNU/Linux 5.0, 6.0, Mint 9, 10, 11, 12, openSUSE 11.3, 11.4, 12.1, Ubuntu 11.04, 11.10, 12.04, Red Hat Enterprise Linux WS 4.0, 5.0, 6.0, PCLinuxOS 2011.9

Microsoft Windows Operating Systems Supported

Server 2012, 8 x64, 8, Windows 7, Server 2008 running Terminal Services, Server 2008, Vista, Server 2003 x64, XP, Server 2003, XP x64, Server 2003 running Terminal Services, Server 2003 x64 running Terminal Services, Vista x64, Server 2008 x64, Server 2008 x64 running Terminal Services, Windows 7 x64, Server 2008 R2, Server 2008 R2 running Terminal Services

Novell Operating Systems Supported

Open Enterprise Server on SUSE Linux Enterprise Server, NetWare 5.1 (SP 6+), 6.0 (SP 3+) with Novell Distributed Print Services (NDPS), NetWare 6.5 Open Enterprise Server

UNIX Operating Systems Supported

IBM AIX 5.3, 6.1, 7.1, HP-UX 11.11, 11.23, 11.31, Sun Solaris SPARC 9, 10, Sun Solaris x86 10, 11

Included Paper Handling

Integrated Duplex, 100-Sheet Multipurpose Feeder, 550-Sheet Input, 550-Sheet Output Bin

Optional Paper Handling

Output Expander, High Capacity Output Expander, 4-Bin Mailbox, 250-Sheet Lockable Tray, 550-Sheet Tray, 250-Sheet Tray, 2100-Sheet Tray, 550-Sheet Lockable Tray, Staple Finisher

Paper Input Capacity, Standard: Up to

650 pages 20 lb or 75 gsm bond

Paper Input Capacity, Maximum: Up to

4400 pages 20 lb or 75 gsm bond

Paper Output Capacity, Standard: Up to

550 pages 20 lb or 75 gsm bond

Paper Output Capacity, Maximum: Up to

2550 pages 20 lb or 75 gsm bond

Finishing Option

Yes

Number of Paper Inputs, Standard

2

Number of Paper Inputs, Maximum

6

Media Types Supported

Refer to the Card Stock & Label Guide, Paper Labels, Integrated Labels, Dual Web Labels, Card Stock, Envelopes, Transparencies, Plain Paper

Media Sizes Supported

A6, Office, Universal, Statement, Folio, DL Envelope, B5 Envelope, A4, 7 3/4 Envelope, 10 Envelope, 9 Envelope, A5, C5 Envelope, Executive, JIS-B5, Legal, Letter

Standard Ports

Front USB 2.0 Specification Hi-Speed Certified Port (Type A), One Internal Card Slot, USB 2.0 Specification Hi-Speed Certified (Type B), Gigabit Ethernet (10/100/1000)

Optional Network Ports

Internal MarkNet N8350 802.11b/g/n Wireless

Optional Local Ports

Internal 1284-B Bidirectional Parallel, Internal RS-232C serial

Network Printing Methods

IPP 1.0, 1.1, 2.0 (Internet Printing Protocol), FTP, TFTP, Direct IP (Port 9100), LPR/LPD, Enhanced IP (Port 9400), ThinPrint .print integration, Telnet

Network Protocol Support

UDP, TCP/IP IPv6, AppleTalk™, TCP, TCP/IP IPv4

Network Security

IPSec, SNMPv3, 802.1x Authentication: MD5, MSCHAPv2, LEAP, PEAP, TLS, TTLS

Printer Languages (Standard)

PDF 1.7 emulation, Direct Image, PCL 5e Emulation, PCL 6 Emulation, Personal Printer Data Stream (PPDS), PostScript 3 Emulation, Microsoft XPS (XML Paper Specification)

Laser Cartridge Yields

25,000*-page High Yield Cartridge, 6,000*-page Cartridge

Cartridge(s) Shipping with Product

10,000*-page Starter Return Program Toner Cartridge

Replacement Cartridges:

Product functions only with replacement cartridges designed for use in a specific geographical region. See www.lexmark.com/regions for more details.

Packaged Size (mm - H x W x D)

563 x 615 x 537 mm

Size (mm - H x W x D)

419 x 425 x 510 mm

Packaged Size (in. - H x W x D)

22.2 x 24.2 x 21.1 in.

Size (in. - H x W x D)

16.5 x 16.7 x 20.1 in.

Weight (kg)

23.66 kg

Weight (lb.)

52.2 lb.

Noise Level, Idle

32 dBA

Print Noise Level, Operating

56 dBA

Product Warranty

1-Year Exchange Service, Next Business Day

Product Certifications

Energy Star V1.2, Blue Angel (RAL-UZ-122), CAN/CSA-C22.2 60950-1, CSA E60825-1, ICES-003 Class B, BSMI Class B, CNS 13438, VCCI Class B, US FDA, FCC Class B, UL 60950-1, IEC 320-1, EN/IEC 60320-1, CE Class B, CB IEC 60950-1, EN 62311, EN 60950-1, EN/IEC 61000-3, EN 55022 Class B, EN 55024, EN/IEC 60825-1, GS (TÜV), SEMKO, UL AR, CS, TÜV Rh, SMA C-tick mark Class B, CCC Class B, CISPIR 22 Class B, EK Mark, N Mark, ECMA-370, TED

Maximum Monthly Duty Cycle

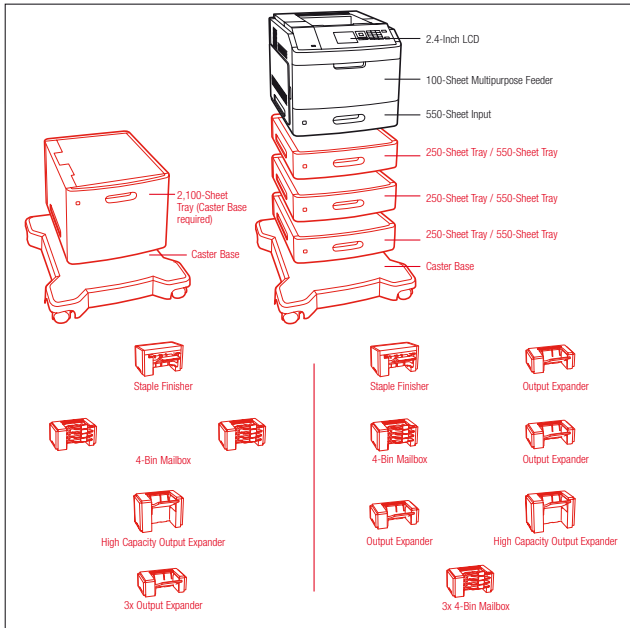
Up to 250,000 pages per month

Recommended Monthly Page Volume

3000 - 20,000 pages

Specified Operating Environment

Altitude: 0 - 2896 Meters (9,500 Feet), Humidity: 8 to 80% Relative Humidity, Temperature: 16 to 32°C (60 to 90°F)



MONOCHROME LASER

| Part # | Model |
|---------|-----------------|
| 40G0110 | Lexmark MS810dn |

| Part # | Laser Toner/Print Cartridge |
|---------|--|
| 52D1H00 | 521H High Yield Return Program Toner Cartridge |
| 52D1000 | 521 Return Program Toner Cartridge |
| 52D0HA0 | 520HA High Yield Toner Cartridge |
| 52D0Z00 | 520Z Black Return Program Imaging Unit |
| 52D0ZA0 | 520ZA Black Imaging Unit |
| 25A0013 | Staple Cartridges (3 pack) |

| Part # | Paper Handling |
|---------|-------------------------------|
| 40G0804 | 2100-Sheet Tray |
| 40G0800 | 250-Sheet Tray |
| 40G0802 | 550-Sheet Tray |
| 40G0820 | 250-Sheet Lockable Tray |
| 40G0822 | 550-Sheet Lockable Tray |
| 40G0852 | 4-Bin Mailbox |
| 40G0851 | Output Expander |
| 40G0853 | High Capacity Output Expander |
| 40G0850 | Staple Finisher |
| 40G0854 | 4.3 in. (11 cm) Spacer |

| Part # | Furniture |
|---------|----------------|
| 40G0855 | Caster Base |
| 3073173 | Swivel Cabinet |

| Part # | Memory Options |
|---------|-------------------------------|
| 57X9016 | 1024MBx32 DDR3-DRAM |
| 57X9012 | 2048MBx32 DDR3-DRAM |
| 57X9101 | 256MB Flash Memory Card |
| 27X0200 | 160+ GB Hard Disk |
| 57X9115 | Japanese Font Card |
| 57X9114 | Korean Font Card |
| 57X9112 | Simplified Chinese Font Card |
| 57X9110 | Traditional Chinese Font Card |

| Part # | Application Solutions |
|---------|--|
| 40G0811 | MS71x, MS81xn, dn Card for IPDS |
| 40G0810 | MS71x, MS81xn, dn Forms and Bar Code Card |
| 40G0817 | MS71x, MS81xn, dn Card for PRESCRIBE Emulation |

| Part # | Connectivity |
|---------|---|
| 1021294 | USB Cable (2-meter) |
| 27X0225 | MarkNet N8350 802.11b/g/n Wireless Print Server |
| 14F0000 | Parallel 1284-B Interface Card |
| 1021231 | Parallel Cable (10-foot) |
| 14F0100 | RS-232C Serial Interface Card |

| Part # | Extended Warranties |
|---------|--|
| 2355824 | MS810 2-Years Total (1+1) Exchange Service |

| | |
|---------|--|
| 2355825 | MS810 3-Years Total (1+2) Exchange Service |
| 2355826 | MS810 4-Years Total (1+3) Exchange Service |
| 2355827 | MS810 5-Years Total (1+4) Exchange Service |
| 2355828 | MS810 1-Year Exchange Service Renewal |
| 2355831 | MS810 Upgrade to Onsite Service |
| 2355832 | MS810 2-Years Total (1+1) Onsite Service |
| 2355833 | MS810 3-Years Total (1+2) Onsite Service |
| 2355834 | MS810 4-Years Total (1+3) Onsite Service |
| 2355835 | MS810 5-Years Total (1+4) Onsite Service |
| 2355836 | MS810 1-Year Onsite Service Renewal |

| Part # | User Replaceable Parts |
|---------|--|
| 40X8420 | Return Program Fuser Maintenance kit, 110-120V Type 00, Letter |
| 40X7706 | Roller Maintenance Kit |
| 40X7743 | Return Program Fuser, 110-120V Type 00, Letter |
| 40X8425 | Fuser Maintenance kit, 110-120V, Type 05, Letter |
| 40X8016 | Fuser, 110-120V Type 05, Letter |



Lexmark MS810dtn

Talk about a top performer. With blazing print speeds, more capacity, 2-sided printing, networking and multiple finishing styles, the Lexmark MS810dtn is sure to satisfy.

Print Technology

Monochrome Laser

Display

2.4-inch (6 cm) color LCD display

Print Speed (Letter, Black)

Up to 55 ppm

Print Speed (Letter, Black) Duplex

Up to 33 ppm

Time to First Page (Black)

As fast as 4.8 seconds

Print Resolution, Black

600 x 600 dpi, 2400 Image Quality, 1200 Image Quality,

1200 x 1200 dpi

Processor

Dual Core, 800 MHz

Memory, Standard

512 MB

Memory, Maximum

2560 MB

Hard Disk

Option available

Expandable Memory Options

Yes

Apple Macintosh Operating Systems Supported

Mac OS X (10.5, 10.6, 10.7, 10.8)

Linux Operating Systems Supported

Fedora 14, 15, 16, 17, Linpus Linux Desktop 9.6, SUSE Linux Enterprise Server 10, 11, SUSE Linux Enterprise Desktop 10, 11, Red Flag Linux Desktop 6.0, Debian GNU/Linux 5.0, 6.0, Mint 9, 10, 11, 12, openSUSE 11.3, 11.4, 12.1, Ubuntu 11.04, 11.10, 12.04, Red Hat Enterprise Linux WS 4.0, 5.0, 6.0, PCLinuxOS 2011.9

Microsoft Windows Operating Systems Supported

Server 2012, 8 x64, 8, Windows 7, Server 2008 running Terminal Services, Server 2008, Vista, Server 2003 x64, XP, Server 2003, XP x64, Server 2003 running Terminal Services, Server 2003 x64 running Terminal Services, Vista x64, Server 2008 x64, Server 2008 x64 running Terminal Services, Windows 7 x64, Server 2008 R2, Server 2008 R2 running Terminal Services

Novell Operating Systems Supported

Open Enterprise Server on SUSE Linux Enterprise Server, NetWare 5.1 (SP 6+), 6.0 (SP 3+) with Novell Distributed Print Services (NDPS), NetWare 6.5 Open Enterprise Server

UNIX Operating Systems Supported

IBM AIX 5.3, 6.1, 7.1, HP-UX 11.11, 11.23, 11.31, Sun Solaris SPARC 9, 10, Sun Solaris x86 10, 11

Included Paper Handling

550-Sheet Tray, 550-Sheet Input, 100-Sheet Multipurpose Feeder, Integrated Duplex, 550-Sheet Output Bin

Optional Paper Handling

Output Expander, 4-Bin Mailbox, 250-Sheet Lockable Tray, 550-Sheet Tray, 250-Sheet Tray, 2100-Sheet Tray, 550-Sheet Lockable Tray, Staple Finisher, High Capacity Output Expander

Paper Input Capacity, Standard: Up to

1200 pages 20 lb or 75 gsm bond

Paper Input Capacity, Maximum: Up to

4400 pages 20 lb or 75 gsm bond

Paper Output Capacity, Standard: Up to

550 pages 20 lb or 75 gsm bond

Paper Output Capacity, Maximum: Up to

2550 pages 20 lb or 75 gsm bond

Finishing Option

Yes

Number of Paper Inputs, Standard

3

Number of Paper Inputs, Maximum

6

Media Types Supported

Refer to the Card Stock & Label Guide, Paper Labels, Integrated Labels, Dual Web Labels, Card Stock, Envelopes, Transparencies, Plain Paper

Media Sizes Supported

A6, Office, Universal, Statement, Folio, DL Envelope, B5 Envelope, A4, 7 3/4 Envelope, 10 Envelope, 9 Envelope, A5, C5 Envelope, Executive, JIS-B5, Legal, Letter

Standard Ports

Front USB 2.0 Specification Hi-Speed Certified Port (Type A), One Internal Card Slot, USB 2.0 Specification Hi-Speed Certified (Type B), Gigabit Ethernet (10/100/1000)

Optional Network Ports

Internal MarkNet N8350 802.11b/g/n Wireless

Optional Local Ports

Internal 1284-B Bidirectional Parallel, Internal RS-232C serial

Network Printing Methods

IPP 1.0, 1.1, 2.0 (Internet Printing Protocol), FTP, TFTP, Direct IP (Port 9100), LPR/LPD, Enhanced IP (Port 9400), ThinPrint .print integration, Telnet

Network Protocol Support

UDP, TCP/IP IPv6, AppleTalk™, TCP, TCP/IP IPv4

Network Security

IPSec, SNMPv3, 802.1x Authentication: MD5, MSCHAPv2, LEAP, PEAP, TLS, TTLS

Printer Languages (Standard)

PDF 1.7 emulation, Direct Image, PCL 5e Emulation, PCL 6 Emulation, Personal Printer Data Stream (PPDS), PostScript 3 Emulation, Microsoft XPS (XML Paper Specification)

Laser Cartridge Yields

25,000*-page High Yield Cartridge, 6,000*-page Cartridge

Cartridge(s) Shipping with Product

10,000*-page Starter Return Program Toner Cartridge

Replacement Cartridges:

Product functions only with replacement cartridges designed for use in a specific geographical region. See www.lexmark.com/regions for more details.

Packaged Size (mm - H x W x D)

763 x 615 x 537 mm

Size (mm - H x W x D)

525 x 425 x 510 mm

Packaged Size (in. - H x W x D)

30.0 x 24.2 x 21.1 in.

Size (in. - H x W x D)

20.7 x 16.7 x 20.1 in.

Weight (kg)

29.47 kg

Weight (lb.)

65.0 lb.

Noise Level, Idle

32 dBA

Print Noise Level, Operating

56 dBA

Product Warranty

1-Year Exchange Service, Next Business Day

Product Certifications

Energy Star V1.2, Blue Angel (RAL-UZ-122), CAN/CSA-C22.2 60950-1, CSA E60825-1, ICES-003 Class B, BSMI Class B, CNS 13438, VCCI Class B, US FDA, FCC Class B, UL 60950-1, IEC 320-1, EN/IEC 60320-1, CE Class B, CB IEC 60950-1, EN 62311, EN 60950-1, EN/IEC 61000-3, EN 55022 Class B, EN 55024, EN/IEC 60825-1, GS (TÜV), SEMKO, UL AR, CS, TÜV Rh, SMA C-tick mark Class B, CCC Class B, CISPR 22 Class B, EK Mark, N Mark, ECMA-370, TED

Maximum Monthly Duty Cycle

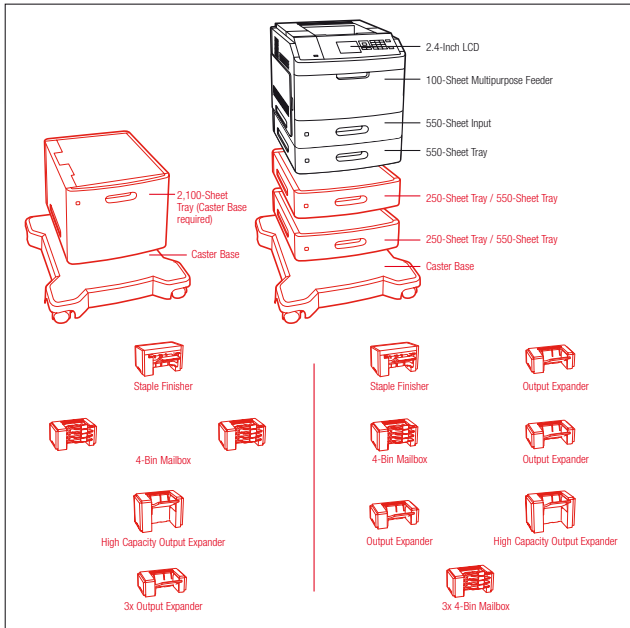
Up to 250,000 pages per month

Recommended Monthly Page Volume

3000 - 20,000 pages

Specified Operating Environment

Altitude: 0 - 2896 Meters (9,500 Feet), Humidity: 8 to 80% Relative Humidity, Temperature: 16 to 32°C (60 to 90°F)



Standard
 Optional

| Part # | Model |
|---------|-----------------|
| 40G0410 | Lexmark MS810dn |

| Part # | Laser Toner/Print Cartridge |
|---------|--|
| 52D1H00 | 521H High Yield Return Program Toner Cartridge |
| 52D1000 | 521 Return Program Toner Cartridge |
| 52D0HA0 | 520HA High Yield Toner Cartridge |
| 52D0Z00 | 520Z Black Return Program Imaging Unit |
| 52D0ZA0 | 520ZA Black Imaging Unit |
| 25A0013 | Staple Cartridges (3 pack) |

| Part # | Paper Handling |
|---------|-------------------------------|
| 40G0804 | 2100-Sheet Tray |
| 40G0800 | 250-Sheet Tray |
| 40G0802 | 550-Sheet Tray |
| 40G0820 | 250-Sheet Lockable Tray |
| 40G0822 | 550-Sheet Lockable Tray |
| 40G0852 | 4-Bin Mailbox |
| 40G0851 | Output Expander |
| 40G0853 | High Capacity Output Expander |
| 40G0850 | Staple Finisher |
| 40G0854 | 4.3 in. (11 cm) Spacer |

| Part # | Furniture |
|---------|----------------|
| 40G0855 | Caster Base |
| 3073173 | Swivel Cabinet |

| Part # | Memory Options |
|---------|-------------------------------|
| 57X9016 | 1024MBx32 DDR3-DRAM |
| 57X9012 | 2048MBx32 DDR3-DRAM |
| 57X9101 | 256MB Flash Memory Card |
| 27X0200 | 160+ GB Hard Disk |
| 57X9115 | Japanese Font Card |
| 57X9114 | Korean Font Card |
| 57X9112 | Simplified Chinese Font Card |
| 57X9110 | Traditional Chinese Font Card |

| Part # | Application Solutions |
|---------|--|
| 40G0811 | MS71x, MS81xn, dn Card for IPDS |
| 40G0810 | MS71x, MS81xn, dn Forms and Bar Code Card |
| 40G0817 | MS71x, MS81xn, dn Card for PRESCRIBE Emulation |

| Part # | Connectivity |
|---------|---|
| 1021294 | USB Cable (2-meter) |
| 27X0225 | MarkNet N8350 802.11b/g/n Wireless Print Server |
| 14F0000 | Parallel 1284-B Interface Card |
| 1021231 | Parallel Cable (10-foot) |
| 14F0100 | RS-232C Serial Interface Card |

| Part # | Extended Warranties |
|---------|--|
| 2355824 | MS810 2-Years Total (1+1) Exchange Service |

| | |
|---------|--|
| 2355825 | MS810 3-Years Total (1+2) Exchange Service |
| 2355826 | MS810 4-Years Total (1+3) Exchange Service |
| 2355827 | MS810 5-Years Total (1+4) Exchange Service |
| 2355828 | MS810 1-Year Exchange Service Renewal |
| 2355831 | MS810 Upgrade to Onsite Service |
| 2355832 | MS810 2-Years Total (1+1) Onsite Service |
| 2355833 | MS810 3-Years Total (1+2) Onsite Service |
| 2355834 | MS810 4-Years Total (1+3) Onsite Service |
| 2355835 | MS810 5-Years Total (1+4) Onsite Service |
| 2355836 | MS810 1-Year Onsite Service Renewal |

| Part # | User Replaceable Parts |
|---------|--|
| 40X8420 | Return Program Fuser Maintenance kit, 110-120V Type 00, Letter |
| 40X7706 | Roller Maintenance Kit |
| 40X7743 | Return Program Fuser, 110-120V Type 00, Letter |
| 40X8425 | Fuser Maintenance kit, 110-120V, Type 05, Letter |
| 40X8016 | Fuser, 110-120V Type 05, Letter |



Lexmark MS810de

Talk about a top performer. With blazing print speeds, workflow solutions, 2-sided printing and multiple finishing styles, the Lexmark MS810de is sure to satisfy.

Print Technology

Monochrome Laser

Display

Lexmark e-Task 4.3-inch (10.9 cm) color touch screen

Print Speed (Letter, Black)

Up to 55 ppm

Print Speed (Letter, Black) Duplex

Up to 33 ppm

Time to First Page (Black)

As fast as 4.8 seconds

Print Resolution, Black

600 x 600 dpi, 2400 Image Quality, 1200 Image Quality, 1200 x 1200 dpi

Processor

Dual Core, 800 MHz

Memory, Standard

512 MB

Memory, Maximum

2560 MB

Hard Disk

Option available

Expandable Memory Options

Yes

Apple Macintosh Operating Systems Supported

Mac OS X (10.5, 10.6, 10.7, 10.8)

Linux Operating Systems Supported

Fedora 14, 15, 16, 17, Linpus Linux Desktop 9.6, SUSE Linux Enterprise Server 10, 11, SUSE Linux Enterprise Desktop 10, 11, Red Hat Linux Desktop 6.0, Debian GNU/Linux 5.0, 6.0, Mint 9, 10, 11, 12, openSUSE 11.3, 11.4, 12.1, Ubuntu 11.04, 11.10, 12.04, Red Hat Enterprise Linux WS 4.0, 5.0, 6.0, PCLinuxOS 2011.9

Microsoft Windows Operating Systems Supported

Server 2012, 8 x64, 8, Windows 7, Server 2008 running Terminal Services, Server 2008, Vista, Server 2003 x64, XP, Server 2003, XP x64, Server 2003 running Terminal Services, Server 2003 x64 running Terminal Services, Vista x64, Server 2008 x64, Server 2008 x64 running Terminal Services, Windows 7 x64, Server 2008 R2, Server 2008 R2 running Terminal Services

Novell Operating Systems Supported

Open Enterprise Server on SUSE Linux Enterprise Server, NetWare 5.1 (SP 6+), 6.0 (SP 3+) with Novell Distributed Print Services (NDPS), NetWare 6.5 Open Enterprise Server

UNIX Operating Systems Supported

IBM AIX 5.3, 6.1, 7.1, HP-UX 11.11, 11.23, 11.31, Sun Solaris SPARC 9, 10, Sun Solaris x86 10, 11

Included Paper Handling

Integrated Duplex, 100-Sheet Multipurpose Feeder, 550-Sheet Input, 550-Sheet Output Bin

Optional Paper Handling

Output Expander, High Capacity Output Expander, 4-Bin Mailbox, 250-Sheet Lockable Tray, 550-Sheet Tray, 250-Sheet Tray, 2100-Sheet Tray, 550-Sheet Lockable Tray, Staple Finisher

Paper Input Capacity, Standard: Up to

650 pages 20 lb or 75 gsm bond

Paper Input Capacity, Maximum: Up to

4400 pages 20 lb or 75 gsm bond

Paper Output Capacity, Standard: Up to

550 pages 20 lb or 75 gsm bond

Paper Output Capacity, Maximum: Up to

2550 pages 20 lb or 75 gsm bond

Finishing Option

Yes

Number of Paper Inputs, Standard

2

Number of Paper Inputs, Maximum

6

Media Types Supported

Refer to the Card Stock & Label Guide, Paper Labels, Integrated Labels, Dual Web Labels, Card Stock, Envelopes, Transparencies, Plain Paper

Media Sizes Supported

A6, Office, Universal, Statement, Folio, DL Envelope, B5 Envelope, A4, 7 3/4 Envelope, 10 Envelope, 9 Envelope, A5, C5 Envelope, Executive, JIS-B5, Legal, Letter

Standard Ports

Rear USB 2.0 Specification Hi-Speed Certified Port (Type A), One Internal Card Slot, USB 2.0 Specification Hi-Speed Certified (Type B), Gigabit Ethernet (10/100/1000), Front USB 2.0 Specification Hi-Speed Certified Port (Type A)

Optional Network Ports

Internal MarkNet N8350 802.11b/g/n Wireless

Optional Local Ports

Internal 1284-B Bidirectional Parallel, Internal RS-232C serial

Network Printing Methods

IPP 1.0, 1.1, 2.0 (Internet Printing Protocol), FTP, TFTP, Direct IP (Port 9100), LPR/LPD, Enhanced IP (Port 9400), ThinPrint .print integration, Telnet

Network Protocol Support

UDP, TCP/IP IPv6, AppleTalk™, TCP, TCP/IP IPv4

Network Security

IPSec, SNMPv3, 802.1x Authentication: MD5, MSCHAPv2, LEAP, PEAP, TLS, TTLS

Printer Languages (Standard)

PDF 1.7 emulation, PCL 5e Emulation, PCL 6 Emulation, Personal Printer Data Stream (PPDS), PostScript 3 Emulation, Direct Image, Microsoft XPS (XML Paper Specification)

Laser Cartridge Yields

25,000*-page High Yield Cartridge, 6,000*-page Cartridge

Cartridge(s) Shipping with Product

10,000*-page Starter Return Program Toner Cartridge

Replacement Cartridges:

Product functions only with replacement cartridges designed for use in a specific geographical region. See www.lexmark.com/regions for more details.

Packaged Size (mm - H x W x D)

563 x 615 x 537 mm

Size (mm - H x W x D)

419 x 425 x 510 mm

Packaged Size (in. - H x W x D)

22.2 x 24.2 x 21.1 in.

Size (in. - H x W x D)

16.5 x 16.7 x 20.1 in.

Weight (kg)

23.71 kg

Weight (lb.)

52.3 lb.

Noise Level, Idle

32 dBA

Print Noise Level, Operating

56 dBA

Product Warranty

1-Year Exchange Service, Next Business Day

Product Certifications

Energy Star V1.2, Blue Angel (RAL-UZ-122), CAN/CSA-C22.2 60950-1, CSA E60825-1, ICES-003 Class B, BSMI Class B, CNS 13438, VCCI Class B, US FDA, FCC Class B, UL 60950-1, IEC 320-1, EN/IEC 60320-1, CE Class B, CB IEC 60950-1, EN 62311, EN 60950-1, EN/IEC 61000-3, EN 55022 Class B, EN 55024, EN/IEC 60825-1, GS (TÜV), SEMKO, UL AR, CS, TÜV Rh, SMA C-tick mark Class B, CCC Class B, CISPR 22 Class B, EK Mark, N Mark, ECMA-370, TED

Maximum Monthly Duty Cycle

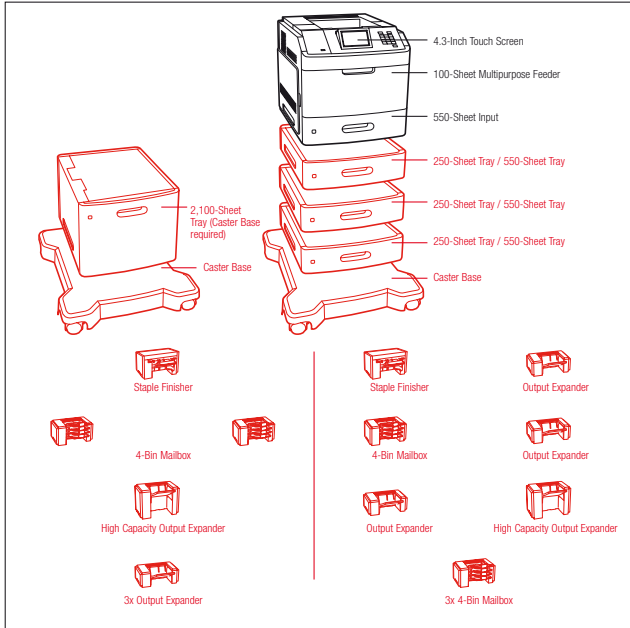
Up to 250,000 pages per month

Recommended Monthly Page Volume

3,000 - 20,000 pages

Specified Operating Environment

Altitude: 0 - 2896 Meters (9,500 Feet), Humidity: 8 to 80% Relative Humidity, Temperature: 16 to 32°C (60 to 90°F)



Standard
 Optional

| Part # | Model |
|---------|-----------------|
| 40G0150 | Lexmark MS810de |

| Part # | Laser Toner/Print Cartridge |
|---------|--|
| 52D1H00 | 521H High Yield Return Program Toner Cartridge |
| 52D1000 | 521 Return Program Toner Cartridge |
| 52D0HA0 | 520HA High Yield Toner Cartridge |
| 52D0Z00 | 520Z Black Return Program Imaging Unit |
| 52D0ZA0 | 520ZA Black Imaging Unit |
| 25A0013 | Staple Cartridges (3 pack) |

| Part # | Paper Handling |
|---------|-------------------------------|
| 40G0804 | 2100-Sheet Tray |
| 40G0800 | 250-Sheet Tray |
| 40G0802 | 550-Sheet Tray |
| 40G0820 | 250-Sheet Lockable Tray |
| 40G0822 | 550-Sheet Lockable Tray |
| 40G0852 | 4-Bin Mailbox |
| 40G0851 | Output Expander |
| 40G0853 | High Capacity Output Expander |
| 40G0850 | Staple Finisher |
| 40G0854 | 4.3 in. (11 cm) Spacer |

| Part # | Furniture |
|---------|----------------|
| 40G0855 | Caster Base |
| 3073173 | Swivel Cabinet |

| Part # | Memory Options |
|---------|-------------------------------|
| 57X9016 | 1024MBx32 DDR3-DRAM |
| 57X9012 | 2048MBx32 DDR3-DRAM |
| 57X9101 | 256MB Flash Memory Card |
| 27X0200 | 160+ GB Hard Disk |
| 57X9115 | Japanese Font Card |
| 57X9114 | Korean Font Card |
| 57X9112 | Simplified Chinese Font Card |
| 57X9110 | Traditional Chinese Font Card |

| Part # | Application Solutions |
|---------|--------------------------------------|
| 40G0831 | MS810de Card for IPDS |
| 40G0837 | MS810de Card for PRESCRIBE Emulation |
| 40G0830 | MS810de Forms and Bar Code Card |

| Part # | Connectivity |
|---------|---|
| 1021294 | USB Cable (2-meter) |
| 27X0225 | MarkNet N8350 802.11b/g/n Wireless Print Server |
| 14F0000 | Parallel 1284-B Interface Card |
| 1021231 | Parallel Cable (10-foot) |
| 14F0100 | RS-232C Serial Interface Card |

| Part # | Extended Warranties |
|---------|--|
| 2355824 | MS810 2-Years Total (1+1) Exchange Service |

| | |
|---------|--|
| 2355825 | MS810 3-Years Total (1+2) Exchange Service |
| 2355826 | MS810 4-Years Total (1+3) Exchange Service |
| 2355827 | MS810 5-Years Total (1+4) Exchange Service |
| 2355828 | MS810 1-Year Exchange Service Renewal |
| 2355831 | MS810 Upgrade to Onsite Service |
| 2355832 | MS810 2-Years Total (1+1) Onsite Service |
| 2355833 | MS810 2-Years Total (1+2) Onsite Service |
| 2355834 | MS810 4-Years Total (1+3) Onsite Service |
| 2355835 | MS810 5-Years Total (1+4) Onsite Service |
| 2355836 | MS810 1-Year Onsite Service Renewal |

| Part # | User Replaceable Parts |
|---------|--|
| 40X8420 | Return Program Fuser Maintenance kit, 110-120V Type 00, Letter |
| 40X7706 | Roller Maintenance Kit |
| 40X7743 | Return Program Fuser, 110-120V Type 00, Letter |
| 40X8425 | Fuser Maintenance kit, 110-120V, Type 05, Letter |
| 40X8016 | Fuser, 110-120V Type 05, Letter |



Lexmark MS811n

Produce documents that steal the show. With faster print speeds, networking and multiple finishing styles, the Lexmark MS811n satisfies the most demanding enterprise.

Print Technology

Monochrome Laser

Display

2.4-inch (6 cm) color LCD display

Print Speed (Letter, Black)

Up to 63 ppm

Time to First Page (Black)

As fast as 4.4 seconds

Print Resolution, Black

600 x 600 dpi, 2400 Image Quality, 1200 x 1200 dpi, 1200 Image Quality

Processor

Dual Core, 800 MHz

Memory, Standard

512 MB

Memory, Maximum

2560 MB

Hard Disk

Option available

Expandable Memory Options

Yes

Apple Macintosh Operating Systems Supported

Mac OS X (10.5, 10.6, 10.7, 10.8)

Linux Operating Systems Supported

Fedora 14, 15, 16, 17, Linpus Linux Desktop 9.6, SUSE Linux Enterprise Server 10, 11, SUSE Linux Enterprise Desktop 10, 11, Red Hat Linux Desktop 6.0, Debian GNU/Linux 5.0, 6.0, Mint 9, 10, 11, 12, openSUSE 11.3, 11.4, 12.1, Ubuntu 11.04, 11.10, 12.04, Red Hat Enterprise Linux WS 4.0, 5.0, 6.0, PCLinuxOS 2011.9

Microsoft Windows Operating Systems Supported

Server 2012, 8 x64, 8, Windows 7, Server 2008 running Terminal Services, Server 2008, Vista, Server 2003 x64, XP, Server 2003, XP x64, Server 2003 running Terminal Services, Server 2003 x64 running Terminal Services, Vista x64, Server 2008 x64, Server 2008 x64 running Terminal Services, Windows 7 x64, Server 2008 R2, Server 2008 R2 running Terminal Services

Novell Operating Systems Supported

Open Enterprise Server on SUSE Linux Enterprise Server, NetWare 5.1 (SP 6+), 6.0 (SP 3+) with Novell Distributed Print Services (NDPS), NetWare 6.5 Open Enterprise Server

UNIX Operating Systems Supported

IBM AIX 5.3, 6.1, 7.1, HP-UX 11.11, 11.23, 11.31, Sun Solaris SPARC 9, 10, Sun Solaris x86 10, 11

Included Paper Handling

550-Sheet Output Bin, 100-Sheet Multipurpose Feeder, 550-Sheet Input

Optional Paper Handling

Output Expander, 4-Bin Mailbox, 250-Sheet Lockable Tray, 550-Sheet Tray, 250-Sheet Tray, 2100-Sheet Tray, 550-Sheet Lockable Tray, Staple Finisher, High Capacity Output Expander

Paper Input Capacity, Standard: Up to

650 pages 20 lb or 75 gsm bond

Paper Input Capacity, Maximum: Up to

4400 pages 20 lb or 75 gsm bond

Paper Output Capacity, Standard: Up to

550 pages 20 lb or 75 gsm bond

Paper Output Capacity, Maximum: Up to

2550 pages 20 lb or 75 gsm bond

Finishing Option

Yes

Number of Paper Inputs, Standard

2

Number of Paper Inputs, Maximum

6

Media Types Supported

Refer to the Card Stock & Label Guide, Paper Labels, Integrated Labels, Dual Web Labels, Card Stock, Envelopes, Transparencies, Plain Paper

Media Sizes Supported

A6, Oficio, Universal, Statement, Folio, DL Envelope, B5 Envelope, A4, 7 3/4 Envelope, 10 Envelope, 9 Envelope, A5, C5 Envelope, Executive, JIS-B5, Legal, Letter

Standard Ports

Front USB 2.0 Specification Hi-Speed Certified Port (Type A), One Internal Card Slot, USB 2.0 Specification Hi-Speed Certified (Type B), Gigabit Ethernet (10/100/1000)

Optional Network Ports

Internal MarkNet N8350 802.11b/g/n Wireless

Optional Local Ports

Internal 1284-B Bidirectional Parallel, Internal RS-232C serial

Network Printing Methods

IPP 1.0, 1.1, 2.0 (Internet Printing Protocol), FTP, TFTP, Direct IP (Port 9100), LPR/LPD, Enhanced IP (Port 9400), ThinPrint .print integration, Telnet

Network Protocol Support

UDP, TCP/IP IPv6, AppleTalk™, TCP, TCP/IP IPv4

Network Security

IPSec, SNMPv3, 802.1x Authentication: MD5, MSCHAPv2, LEAP, PEAP, TLS, TTLS

Printer Languages (Standard)

PDF 1.7 emulation, Direct Image, PCL 5e Emulation, PCL 6 Emulation, Personal Printer Data Stream (PPDS), PostScript 3 Emulation, Microsoft XPS (XML Paper Specification)

Laser Cartridge Yields

45,000*-page Extra High Yield Cartridge, 25,000*-page High Yield Cartridge, 6,000*-page Cartridge

Cartridge(s) Shipping with Product

10,000*-page Starter Return Program Toner Cartridge

Replacement Cartridges:

Product functions only with replacement cartridges designed for use in a specific geographical region. See www.lexmark.com/regions for more details.

Packaged Size (mm - H x W x D)

563 x 615 x 537 mm

Size (mm - H x W x D)

419 x 425 x 510 mm

Packaged Size (in. - H x W x D)

22.2 x 24.2 x 21.1 in.

Size (in. - H x W x D)

16.5 x 16.7 x 20.1 in.

Weight (kg)

23.66 kg

Weight (lb.)

52.2 lb.

Noise Level, Idle

32 dBA

Print Noise Level, Operating

57 dBA

Product Warranty

1-Year Exchange Service, Next Business Day

Product Certifications

Energy Star V1.2, Blue Angel (RAL-UZ-122), CAN/CSA-C22.2 60950-1, CSA E60825-1, ICES-003 Class B, BSMI Class B, CNS 13438, VCCI Class B, US FDA, FCC Class B, UL 60950-1, IEC 320-1, EN/IEC 60320-1, CE Class B, CB IEC 60950-1, EN 62311, EN 60950-1, EN/IEC 61000-3, EN 55022 Class B, EN 55024, EN/IEC 60825-1, GS (TÜV), SEMKO, UL AR, CS, TÜV Rh, SMA C-tick mark Class B, CCC Class B, CISPIR 22 Class B, EK Mark, N Mark, ECMA-370, TED

Maximum Monthly Duty Cycle

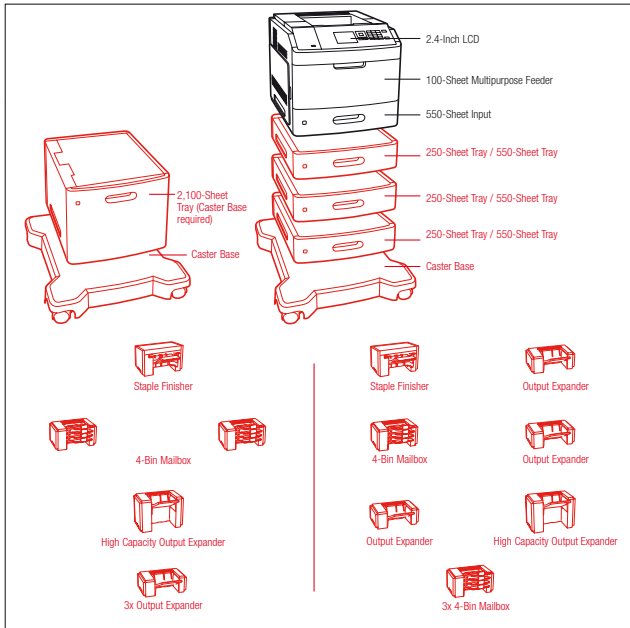
Up to 275,000 pages per month

Recommended Monthly Page Volume

5000 - 30,000 pages

Specified Operating Environment

Altitude: 0 - 2896 Meters (9,500 Feet), Humidity: 8 to 80% Relative Humidity, Temperature: 16 to 32°C (60 to 90°F)



Standard
 Optional

MONOCHROME LASER

| Part # | Model |
|---------|----------------|
| 40G0200 | Lexmark MS811n |

| Part # | Laser Toner/Print Cartridge |
|---------|--|
| 52D1X00 | 521X Extra High Yield Return Program Toner Cartridge |
| 52D1H00 | 521H High Yield Return Program Toner Cartridge |
| 52D1000 | 521 Return Program Toner Cartridge |
| 52D0XA0 | 520XA Extra High Yield Toner Cartridge |
| 52D0Z00 | 520Z Black Return Program Imaging Unit |
| 52D0ZA0 | 520ZA Black Imaging Unit |
| 25A0013 | Staple Cartridges (3 pack) |

| Part # | Paper Handling |
|---------|-------------------------------|
| 40G0804 | 2100-Sheet Tray |
| 40G0800 | 250-Sheet Tray |
| 40G0802 | 550-Sheet Tray |
| 40G0820 | 250-Sheet Lockable Tray |
| 40G0822 | 550-Sheet Lockable Tray |
| 40G0852 | 4-Bin Mailbox |
| 40G0851 | Output Expander |
| 40G0853 | High Capacity Output Expander |
| 40G0850 | Staple Finisher |
| 40G0854 | 4.3 in. (11 cm) Spacer |

| Part # | Furniture |
|---------|----------------|
| 40G0855 | Caster Base |
| 3073173 | Swivel Cabinet |

| Part # | Memory Options |
|---------|-------------------------------|
| 57X9016 | 1024MBx32 DDR3-DRAM |
| 57X9012 | 2048MBx32 DDR3-DRAM |
| 57X9101 | 256MB Flash Memory Card |
| 27X0200 | 160+ GB Hard Disk |
| 57X9115 | Japanese Font Card |
| 57X9114 | Korean Font Card |
| 57X9112 | Simplified Chinese Font Card |
| 57X9110 | Traditional Chinese Font Card |

| Part # | Application Solutions |
|---------|---|
| 40G0811 | MS71x, MS811xn, dn Card for IPDS |
| 40G0810 | MS71x, MS811xn, dn Forms and Bar Code Card |
| 40G0817 | MS71x, MS811xn, dn Card for PRESCRIBE Emulation |

| Part # | Connectivity |
|---------|---|
| 1021294 | USB Cable (2-meter) |
| 27X0225 | MarkNet N8350 802.11b/g/n Wireless Print Server |
| 14F0000 | Parallel 1284-B Interface Card |
| 1021231 | Parallel Cable (10-foot) |
| 14F0100 | RS-232C Serial Interface Card |

| Part # | Extended Warranties |
|---------|--|
| 2355870 | MS811 2-Years Total (1+1) Exchange Service |

| | |
|---------|--|
| 2355871 | MS811 3-Years Total (1+2) Exchange Service |
| 2355872 | MS811 4-Years Total (1+3) Exchange Service |
| 2355873 | MS811 5-Years Total (1+4) Exchange Service |
| 2355874 | MS811 1-Year Exchange Service Renewal |
| 2355877 | MS811 Upgrade to Onsite Service |
| 2355878 | MS811 2-Years Total (1+1) Onsite Service |
| 2355879 | MS811 3-Years Total (1+2) Onsite Service |
| 2355880 | MS811 4-Years Total (1+3) Onsite Service |
| 2355881 | MS811 5-Years Total (1+4) Onsite Service |
| 2355882 | MS811 1-Year Onsite Service Renewal |

| Part # | User Replaceable Parts |
|---------|--|
| 40X8420 | Return Program Fuser Maintenance kit, 110-120V Type 00, Letter |
| 40X7706 | Roller Maintenance Kit |
| 40X7743 | Return Program Fuser, 110-120V Type 00, Letter |
| 40X8425 | Fuser Maintenance kit, 110-120V, Type 05, Letter |
| 40X8016 | Fuser, 110-120V Type 05, Letter |



Lexmark MS811dn

Produce documents that steal the show. With faster print speeds, 2-sided printing, networking and multiple finishing styles, the Lexmark MS811dn satisfies the most demanding enterprise.

Print Technology

Monochrome Laser

Display

2.4-inch (6 cm) color LCD display

Print Speed (Letter, Black)

Up to 63 ppm

Print Speed (Letter, Black) Duplex

Up to 38 spm

Time to First Page (Black)

As fast as 4.4 seconds

Print Resolution, Black

600 x 600 dpi, 2400 Image Quality, 1200 Image Quality,

1200 x 1200 dpi

Processor

Dual Core, 800 MHz

Memory, Standard

512 MB

Memory, Maximum

2560 MB

Hard Disk

Option available

Expandable Memory Options

Yes

Apple Macintosh Operating Systems Supported

Mac OS X (10.5, 10.6, 10.7, 10.8)

Linux Operating Systems Supported

Fedora 14, 15, 16, 17, Linpus Linux Desktop 9.6, SUSE Linux Enterprise Server 10, 11, SUSE Linux Enterprise Desktop 10, 11, Red Flag Linux Desktop 6.0, Debian GNU/Linux 5.0, 6.0, Mint 9, 10, 11, 12, openSUSE 11.3, 11.4, 12.1, Ubuntu 11.04, 11.10, 12.04, Red Hat Enterprise Linux WS 4.0, 5.0, 6.0, PCLinuxOS 2011.9

Microsoft Windows Operating Systems Supported

Server 2012, 8 x64, 8, Windows 7, Server 2008 running Terminal Services, Server 2008, Vista, Server 2003 x64, XP, Server 2003, XP x64, Server 2003 running Terminal Services, Server 2003 x64 running Terminal Services, Vista x64, Server 2008 x64, Server 2008 x64 running Terminal Services, Windows 7 x64, Server 2008 R2, Server 2008 R2 running Terminal Services

Novell Operating Systems Supported

Open Enterprise Server on SUSE Linux Enterprise Server, NetWare 5.1(SP 6+), 6.0(SP 3+) with Novell Distributed Print Services (NDPS), NetWare 6.5 Open Enterprise Server

UNIX Operating Systems Supported

IBM AIX 5.3, 6.1, 7.1, HP-UX 11.11, 11.23, 11.31, Sun Solaris SPARC 9, 10, Sun Solaris x86 10, 11

Included Paper Handling

Integrated Duplex, 100-Sheet Multipurpose Feeder, 550-Sheet Input, 550-Sheet Output Bin

Optional Paper Handling

Output Expander, High Capacity Output Expander, 4-Bin Mailbox, 250-Sheet Lockable Tray, 550-Sheet Tray, 250-Sheet Tray, 2100-Sheet Tray, 550-Sheet Lockable Tray, Staple Finisher

Paper Input Capacity, Standard: Up to

650 pages 20 lb or 75 gsm bond

Paper Input Capacity, Maximum: Up to

4400 pages 20 lb or 75 gsm bond

Paper Output Capacity, Standard: Up to

550 pages 20 lb or 75 gsm bond

Paper Output Capacity, Maximum: Up to

2550 pages 20 lb or 75 gsm bond

Finishing Option

Yes

Number of Paper Inputs, Standard

2

Number of Paper Inputs, Maximum

6

Media Types Supported

Refer to the Card Stock & Label Guide, Paper Labels, Integrated Labels, Dual Web Labels, Card Stock, Envelopes, Transparencies, Plain Paper

Media Sizes Supported

A6, Office, Universal, Statement, Folio, DL Envelope, B5 Envelope, A4, 7 3/4 Envelope, 10 Envelope, 9 Envelope, A5, C5 Envelope, Executive, JIS-B5, Legal, Letter

Standard Ports

Front USB 2.0 Specification Hi-Speed Certified Port (Type A), One Internal Card Slot, USB 2.0 Specification Hi-Speed Certified (Type B), Gigabit Ethernet (10/100/1000)

Optional Network Ports

Internal MarkNet N8350 802.11b/g/n Wireless

Optional Local Ports

Internal 1284-B Bidirectional Parallel, Internal RS-232C serial

Network Printing Methods

IPP 1.0, 1.1, 2.0 (Internet Printing Protocol), FTP, TFTP, Direct IP (Port 9100), LPR/LPD, Enhanced IP (Port 9400), ThinPrint .print integration, Telnet

Network Protocol Support

UDP, TCP/IP IPv6, AppleTalk™, TCP, TCP/IP IPv4

Network Security

IPSec, SNMPv3, 802.1x Authentication: MD5, MSCHAPv2, LEAP, PEAP, TLS, TTLS

Printer Languages (Standard)

PDF 1.7 emulation, Direct Image, PCL 5e Emulation, PCL 6 Emulation, Personal Printer Data Stream (PPDS), PostScript 3 Emulation, Microsoft XPS (XML Paper Specification)

Laser Cartridge Yields

45,000*-page Extra High Yield Cartridge, 25,000*-page High Yield Cartridge, 6,000*-page Cartridge

Cartridge(s) Shipping with Product

10,000*-page Starter Return Program Toner Cartridge

Replacement Cartridges:

Product functions only with replacement cartridges designed for use in a specific geographical region. See www.lexmark.com/regions for more details.

Packaged Size (mm - H x W x D)

563 x 615 x 537 mm

Size (mm - H x W x D)

419 x 425 x 510 mm

Packaged Size (in. - H x W x D)

22.2 x 24.2 x 21.1 in.

Size (in. - H x W x D)

16.5 x 16.7 x 20.1 in.

Weight (kg)

23.66 kg

Weight (lb.)

52.2 lb.

Noise Level, Idle

32 dBA

Print Noise Level, Operating

57 dBA

Product Warranty

1-Year Exchange Service, Next Business Day

Product Certifications

Energy Star V1.2, Blue Angel (RAL-UZ-122), CAN/CSA-C22.2 60950-1, CSA E60825-1, ICES-003 Class B, BSMI Class B, CNS 13438, VCCI Class B, US FDA, FCC Class B, UL 60950-1, IEC 320-1, EN/IEC 60320-1, CE Class B, CB IEC 60950-1, EN 62311, EN 60950-1, EN/IEC 61000-3, EN 55022 Class B, EN 55024, EN/IEC 60825-1, GS (TÜV), SEMKO, UL AR, CS, TÜV RH, SMA C-tick mark Class B, CCC Class B, CISPIR 22 Class B, EK Mark, N Mark, ECMA-370, TED

Maximum Monthly Duty Cycle

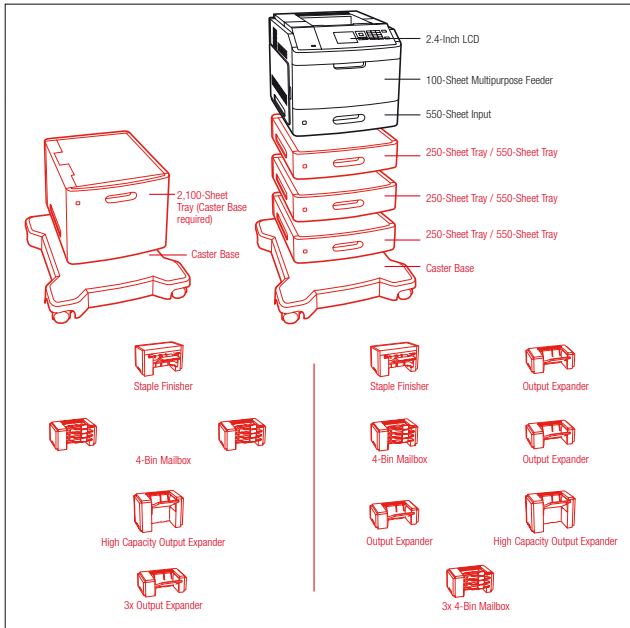
Up to 275,000 pages per month

Recommended Monthly Page Volume

5000 - 30,000 pages

Specified Operating Environment

Altitude: 0 - 2896 Meters (9,500 Feet), Humidity: 8 to 80% Relative Humidity, Temperature: 16 to 32°C (60 to 90°F)



Standard
 Optional

MONOCHROME LASER

| Part # | Model |
|---------|-----------------|
| 40G0210 | Lexmark MS811dn |

| Part # | Laser Toner/Print Cartridge |
|---------|--|
| 52D1X00 | 521X Extra High Yield Return Program Toner Cartridge |
| 52D1H00 | 521H High Yield Return Program Toner Cartridge |
| 52D1000 | 521 Return Program Toner Cartridge |
| 52D0XA0 | 520XA Extra High Yield Toner Cartridge |
| 52D0Z00 | 520Z Black Return Program Imaging Unit |
| 52D0ZA0 | 520ZA Black Imaging Unit |
| 25A0013 | Staple Cartridges (3 pack) |

| Part # | Paper Handling |
|---------|-------------------------------|
| 40G0804 | 2100-Sheet Tray |
| 40G0800 | 250-Sheet Tray |
| 40G0802 | 550-Sheet Tray |
| 40G0820 | 250-Sheet Lockable Tray |
| 40G0822 | 550-Sheet Lockable Tray |
| 40G0852 | 4-Bin Mailbox |
| 40G0851 | Output Expander |
| 40G0853 | High Capacity Output Expander |
| 40G0850 | Staple Finisher |
| 40G0854 | 4.3 in. (11 cm) Spacer |

| Part # | Furniture |
|---------|----------------|
| 40G0855 | Caster Base |
| 3073173 | Swivel Cabinet |

| Part # | Memory Options |
|---------|-------------------------------|
| 57X9016 | 1024MBx32 DDR3-DRAM |
| 57X9012 | 2048MBx32 DDR3-DRAM |
| 57X9101 | 256MB Flash Memory Card |
| 27X0200 | 160+ GB Hard Disk |
| 57X9115 | Japanese Font Card |
| 57X9114 | Korean Font Card |
| 57X9112 | Simplified Chinese Font Card |
| 57X9110 | Traditional Chinese Font Card |

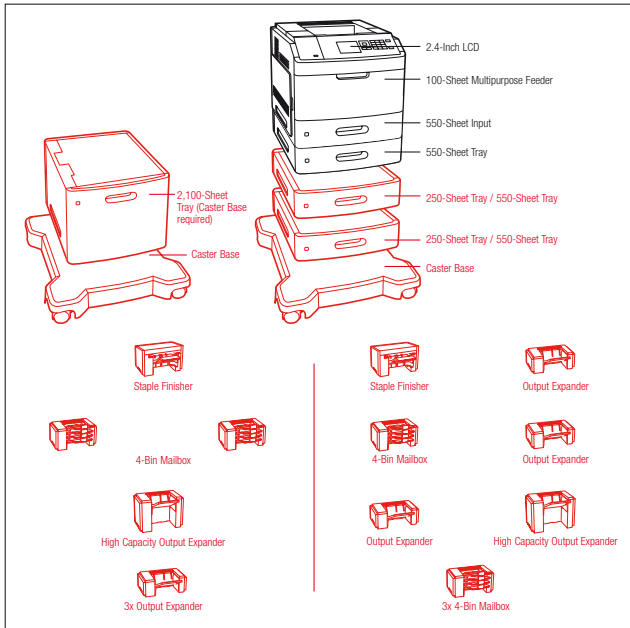
| Part # | Application Solutions |
|---------|---|
| 40G0811 | MS71x, MS811xn, dn Card for IPDS |
| 40G0810 | MS71x, MS811xn, dn Forms and Bar Code Card |
| 40G0817 | MS71x, MS811xn, dn Card for PRESCRIBE Emulation |

| Part # | Connectivity |
|---------|---|
| 1021294 | USB Cable (2-meter) |
| 27X0225 | MarkNet N8350 802.11b/g/n Wireless Print Server |
| 14F0000 | Parallel 1284-B Interface Card |
| 1021231 | Parallel Cable (10-foot) |
| 14F0100 | RS-232C Serial Interface Card |

| Part # | Extended Warranties |
|---------|--|
| 2355870 | MS811 2-Years Total (1+1) Exchange Service |

| | |
|---------|--|
| 2355871 | MS811 3-Years Total (1+2) Exchange Service |
| 2355872 | MS811 4-Years Total (1+3) Exchange Service |
| 2355873 | MS811 5-Years Total (1+4) Exchange Service |
| 2355874 | MS811 1-Year Exchange Service Renewal |
| 2355877 | MS811 Upgrade to Onsite Service |
| 2355878 | MS811 2-Years Total (1+1) Onsite Service |
| 2355879 | MS811 3-Years Total (1+2) Onsite Service |
| 2355880 | MS811 4-Years Total (1+3) Onsite Service |
| 2355881 | MS811 5-Years Total (1+4) Onsite Service |
| 2355882 | MS811 1-Year Onsite Service Renewal |

| Part # | User Replaceable Parts |
|---------|--|
| 40X8420 | Return Program Fuser Maintenance kit, 110-120V Type 00, Letter |
| 40X7706 | Roller Maintenance Kit |
| 40X7743 | Return Program Fuser, 110-120V Type 00, Letter |
| 40X8425 | Fuser Maintenance kit, 110-120V, Type 05, Letter |
| 40X8016 | Fuser, 110-120V Type 05, Letter |



Standard
 Optional

| Part # | Model |
|---------|-------------------|
| 40G0440 | Lexmark MS811 dtn |

| Part # | Laser Toner/Print Cartridge |
|---------|--|
| 52D1X00 | 521X Extra High Yield Return Program Toner Cartridge |
| 52D1H00 | 521H High Yield Return Program Toner Cartridge |
| 52D1000 | 521 Return Program Toner Cartridge |
| 52D0XA0 | 520XA Extra High Yield Toner Cartridge |
| 52D0Z00 | 520Z Black Return Program Imaging Unit |
| 52D0ZA0 | 520ZA Black Imaging Unit |
| 25A0013 | Staple Cartridges (3 pack) |

| Part # | Paper Handling |
|---------|-------------------------------|
| 40G0804 | 2100-Sheet Tray |
| 40G0800 | 250-Sheet Tray |
| 40G0802 | 550-Sheet Tray |
| 40G0820 | 250-Sheet Lockable Tray |
| 40G0822 | 550-Sheet Lockable Tray |
| 40G0852 | 4-Bin Mailbox |
| 40G0851 | Output Expander |
| 40G0853 | High Capacity Output Expander |
| 40G0850 | Staple Finisher |
| 40G0854 | 4.3 in. (11 cm) Spacer |

| Part # | Furniture |
|---------|----------------|
| 40G0855 | Caster Base |
| 3073173 | Swivel Cabinet |

| Part # | Memory Options |
|---------|-------------------------------|
| 57X9016 | 1024MBx32 DDR3-DRAM |
| 57X9012 | 2048MBx32 DDR3-DRAM |
| 57X9101 | 256MB Flash Memory Card |
| 27X0200 | 160+ GB Hard Disk |
| 57X9115 | Japanese Font Card |
| 57X9114 | Korean Font Card |
| 57X9112 | Simplified Chinese Font Card |
| 57X9110 | Traditional Chinese Font Card |

| Part # | Application Solutions |
|---------|--|
| 40G0811 | MS71x, MS81xn, dn Card for IPDS |
| 40G0810 | MS71x, MS81xn, dn Forms and Bar Code Card |
| 40G0817 | MS71x, MS81xn, dn Card for PRESCRIBE Emulation |

| Part # | Connectivity |
|---------|---|
| 1021294 | USB Cable (2-meter) |
| 27X0225 | MarkNet N8350 802.11b/g/n Wireless Print Server |
| 14F0000 | Parallel 1284-B Interface Card |
| 1021231 | Parallel Cable (10-foot) |
| 14F0100 | RS-232C Serial Interface Card |

| Part # | Extended Warranties |
|---------|--|
| 2355870 | MS811 2-Years Total (1+1) Exchange Service |

| | |
|---------|--|
| 2355871 | MS811 3-Years Total (1+2) Exchange Service |
| 2355872 | MS811 4-Years Total (1+3) Exchange Service |
| 2355873 | MS811 5-Years Total (1+4) Exchange Service |
| 2355874 | MS811 1-Year Exchange Service Renewal |
| 2355877 | MS811 Upgrade to Onsite Service |
| 2355878 | MS811 2-Years Total (1+1) Onsite Service |
| 2355879 | MS811 3-Years Total (1+2) Onsite Service |
| 2355880 | MS811 4-Years Total (1+3) Onsite Service |
| 2355881 | MS811 5-Years Total (1+4) Onsite Service |
| 2355882 | MS811 1-Year Onsite Service Renewal |

| Part # | User Replaceable Parts |
|---------|--|
| 40X8420 | Return Program Fuser Maintenance kit, 110-120V Type 00, Letter |
| 40X7706 | Roller Maintenance Kit |
| 40X7743 | Return Program Fuser, 110-120V Type 00, Letter |
| 40X8425 | Fuser Maintenance kit, 110-120V, Type 05, Letter |
| 40X8016 | Fuser, 110-120V Type 05, Letter |



Lexmark MS812dn

Produce documents that steal the show. With faster print speeds, networking, 2-sided printing and multiple finishing styles, the Lexmark MS812dn is sure to satisfy.

Print Technology

Monochrome Laser

Display

2.4-inch (6 cm) color LCD display

Print Speed (Letter, Black)

Up to 70 ppm

Print Speed (Letter, Black) Duplex

Up to 42 spm

Time to First Page (Black)

As fast as 4.0 seconds

Print Resolution, Black

600 x 600 dpi, 2400 Image Quality, 1200 Image Quality, 1200 x 1200 dpi

Processor

Dual Core, 800 MHz

Memory, Standard

512 MB

Memory, Maximum

2560 MB

Hard Disk

Option available

Expandable Memory Options

Yes

Apple Macintosh Operating Systems Supported

Mac OS X (10.5, 10.6, 10.7, 10.8)

Linux Operating Systems Supported

Fedora 14, 15, 16, 17, Linpus Linux Desktop 9.6, SUSE Linux Enterprise Server 10, 11, SUSE Linux Enterprise Desktop 10, 11, Red Hat Linux Desktop 6.0, Debian GNU/Linux 5.0, 6.0, Mint 9, 10, 11, 12, openSUSE 11.3, 11.4, 12.1, Ubuntu 11.04, 11.10, 12.04, Red Hat Enterprise Linux WS 4.0, 5.0, 6.0, PCLinuxOS 2011.9

Microsoft Windows Operating Systems Supported

Server 2012, 8 x64, 8, Windows 7, Server 2008 running Terminal Services, Server 2008, Vista, Server 2003 x64, XP, Server 2003, XP x64, Server 2003 running Terminal Services, Server 2003 x64 running Terminal Services, Vista x64, Server 2008 x64, Server 2008 x64 running Terminal Services, Windows 7 x64, Server 2008 R2, Server 2008 R2 running Terminal Services

Novell Operating Systems Supported

Open Enterprise Server on SUSE Linux Enterprise Server, NetWare 5.1 (SP 6+), 6.0 (SP 3+) with Novell Distributed Print Services (NDPS), NetWare 6.5 Open Enterprise Server

UNIX Operating Systems Supported

IBM AIX 5.3, 6.1, 7.1, HP-UX 11.11, 11.23, 11.31, Sun Solaris SPARC 9, 10, Sun Solaris x86 10, 11

Included Paper Handling

Integrated Duplex, 100-Sheet Multipurpose Feeder, 550-Sheet Input, 550-Sheet Output Bin

Optional Paper Handling

Output Expander, High Capacity Output Expander, 4-Bin Mailbox, 250-Sheet Lockable Tray, 550-Sheet Tray, 250-Sheet Tray, 2100-Sheet Tray, 550-Sheet Lockable Tray, Staple Finisher

Paper Input Capacity, Standard: Up to

650 pages 20 lb or 75 gsm bond

Paper Input Capacity, Maximum: Up to

4400 pages 20 lb or 75 gsm bond

Paper Output Capacity, Standard: Up to

550 pages 20 lb or 75 gsm bond

Paper Output Capacity, Maximum: Up to

2550 pages 20 lb or 75 gsm bond

Finishing Option

Yes

Number of Paper Inputs, Standard

2

Number of Paper Inputs, Maximum

6

Media Types Supported

Refer to the Card Stock & Label Guide, Paper Labels, Integrated Labels, Dual Web Labels, Card Stock, Envelopes, Transparencies, Plain Paper

Media Sizes Supported

A6, Office, Universal, Statement, Folio, DL Envelope, B5 Envelope, A4, 7 3/4 Envelope, 10 Envelope, 9 Envelope, A5, C5 Envelope, Executive, JIS-B5, Legal, Letter

Standard Ports

Front USB 2.0 Specification Hi-Speed Certified Port (Type A), One Internal Card Slot, USB 2.0 Specification Hi-Speed Certified (Type B), Gigabit Ethernet (10/100/1000)

Optional Network Ports

Internal MarkNet N8350 802.11b/g/n Wireless

Optional Local Ports

Internal 1284-B Bidirectional Parallel, Internal RS-232C serial

Network Printing Methods

IPP 1.0, 1.1, 2.0 (Internet Printing Protocol), FTP, TFTP, Direct IP (Port 9100), LPR/LPD, Enhanced IP (Port 9400), ThinPrint .print integration, Telnet

Network Protocol Support

UDP, TCP/IP IPv6, AppleTalk™, TCP, TCP/IP IPv4

Network Security

IPSec, SNMPv3, 802.1x Authentication: MD5, MSCHAPv2, LEAP, PEAP, TLS, TTLS

Printer Languages (Standard)

PDF 1.7 emulation, Direct Image, PCL 5e Emulation, PCL 6 Emulation, Personal Printer Data Stream (PPDS), PostScript 3 Emulation, xHTML, Microsoft XPS (XML Paper Specification)

Laser Cartridge Yields

45,000*-page Extra High Yield Cartridge, 25,000*-page High Yield Cartridge, 6,000*-page Cartridge

Cartridge(s) Shipping with Product

10,000*-page Starter Return Program Toner Cartridge

Replacement Cartridges:

Product functions only with replacement cartridges designed for use in a specific geographical region. See www.lexmark.com/regions for more details.

Packaged Size (mm - H x W x D)

563 x 615 x 537 mm

Size (mm - H x W x D)

419 x 425 x 510 mm

Packaged Size (in. - H x W x D)

22.2 x 24.2 x 21.1 in.

Size (in. - H x W x D)

16.5 x 16.7 x 20.1 in.

Weight (kg)

23.66 kg

Weight (lb.)

52.2 lb.

Noise Level, Idle

32 dBA

Print Noise Level, Operating

58 dBA

Product Warranty

1-Year Exchange Service, Next Business Day

Product Certifications

Energy Star V1.2, Blue Angel (RAL-UZ-122), CAN/CSA-C22.2 60950-1, CSA E60825-1, ICES-003 Class B, BSMI Class B, CNS 13438, VCCI Class B, US FDA, FCC Class B, UL 60950-1, IEC 320-1, EN/IEC 60320-1, CE Class B, CB IEC 60950-1, EN 62311, EN 60950-1, EN/IEC 61000-3, EN 55022 Class B, EN 55024, EN/IEC 60825-1, GS (TÜV), SEMKO, UL AR, CS, TÜV Rh, SMA C-tick mark Class B, CCC Class B, CISPIR 22 Class B, EK Mark, N Mark, ECMA-370, TED

Maximum Monthly Duty Cycle

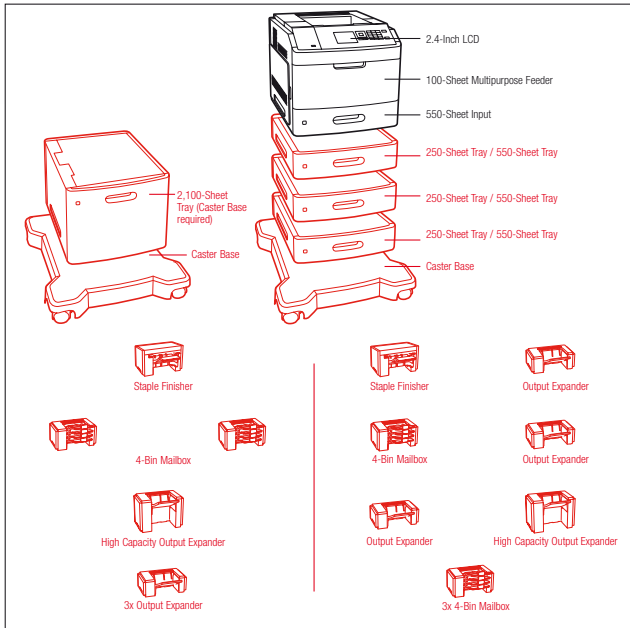
Up to 300000 pages per month

Recommended Monthly Page Volume

5000 - 50000 pages

Specified Operating Environment

Altitude: 0 - 2896 Meters (9,500 Feet), Humidity: 8 to 80% Relative Humidity, Temperature: 16 to 32°C (60 to 90°F)



| | |
|---------------|-----------------|
| Part # | Model |
| 40G0310 | Lexmark MS812dn |

| | |
|---------------|--|
| Part # | Laser Toner/Print Cartridge |
| 52D1X00 | 521X Extra High Yield Return Program Toner Cartridge |
| 52D1H00 | 521H High Yield Return Program Toner Cartridge |
| 52D1000 | 521 Return Program Toner Cartridge |
| 52D0XA0 | 520XA Extra High Yield Toner Cartridge |
| 52D0Z00 | 520Z Black Return Program Imaging Unit |
| 52D0ZA0 | 520ZA Black Imaging Unit |
| 25A0013 | Staple Cartridges (3 pack) |

| | |
|---------------|-------------------------------|
| Part # | Paper Handling |
| 40G0804 | 2100-Sheet Tray |
| 40G0800 | 250-Sheet Tray |
| 40G0802 | 550-Sheet Tray |
| 40G0820 | 250-Sheet Lockable Tray |
| 40G0822 | 550-Sheet Lockable Tray |
| 40G0852 | 4-Bin Mailbox |
| 40G0851 | Output Expander |
| 40G0853 | High Capacity Output Expander |
| 40G0850 | Staple Finisher |
| 40G0854 | 4.3 in. (11 cm) Spacer |

| | |
|---------------|------------------|
| Part # | Furniture |
| 40G0855 | Caster Base |
| 3073173 | Swivel Cabinet |

| | |
|---------------|-------------------------------|
| Part # | Memory Options |
| 57X9016 | 1024MBx32 DDR3-DRAM |
| 57X9012 | 2048MBx32 DDR3-DRAM |
| 57X9101 | 256MB Flash Memory Card |
| 27X0200 | 160+ GB Hard Disk |
| 57X9115 | Japanese Font Card |
| 57X9114 | Korean Font Card |
| 57X9112 | Simplified Chinese Font Card |
| 57X9110 | Traditional Chinese Font Card |

| | |
|---------------|--|
| Part # | Application Solutions |
| 40G0811 | MS71x, MS81xn, dn Card for IPDS |
| 40G0810 | MS71x, MS81xn, dn Forms and Bar Code Card |
| 40G0817 | MS71x, MS81xn, dn Card for PRESCRIBE Emulation |

| | |
|---------------|---|
| Part # | Connectivity |
| 1021294 | USB Cable (2-meter) |
| 27X0225 | MarkNet N8350 802.11b/g/n Wireless Print Server |
| 14F0000 | Parallel 1284-B Interface Card |
| 1021231 | Parallel Cable (10-foot) |
| 14F0100 | RS-232C Serial Interface Card |

| | |
|---------------|--|
| Part # | Extended Warranties |
| 2355916 | MS812 2-Years Total (1+1) Exchange Service |

| | |
|---------|--|
| 2355917 | MS812 3-Years Total (1+2) Exchange Service |
| 2355918 | MS812 4-Years Total (1+3) Exchange Service |
| 2355919 | MS812 5-Years Total (1+4) Exchange Service |
| 2355920 | MS812 1-Year Exchange Service Renewal |
| 2355923 | MS812 Upgrade to Onsite Service |
| 2355924 | MS812 2-Years Total (1+1) Onsite Service |
| 2355925 | MS812 3-Years Total (1+2) Onsite Service |
| 2355926 | MS812 4-Years Total (1+3) Onsite Service |
| 2355927 | MS812 5-Years Total (1+4) Onsite Service |
| 2355928 | MS812 1-Year Onsite Service Renewal |

| | |
|---------------|--|
| Part # | User Replaceable Parts |
| 40X8420 | Return Program Fuser Maintenance kit, 110-120V Type 00, Letter |
| 40X7706 | Roller Maintenance Kit |
| 40X7743 | Return Program Fuser, 110-120V Type 00, Letter |
| 40X8425 | Fuser Maintenance kit, 110-120V, Type 05, Letter |
| 40X8016 | Fuser, 110-120V Type 05, Letter |



Lexmark MS812dtn

Produce documents that steal the show. With faster print speeds, more capacity, networking, 2-sided printing and multiple finishing styles, the Lexmark MS812dtn is sure to satisfy.

Print Technology

Monochrome Laser

Display

2.4-inch (6 cm) color LCD display

Print Speed (Letter, Black)

Up to 70 ppm

Print Speed (Letter, Black) Duplex

Up to 42 spm

Time to First Page (Black)

As fast as 4.0 seconds

Print Resolution, Black

600 x 600 dpi, 2400 Image Quality, 1200 Image Quality,

1200 x 1200 dpi

Processor

Dual Core, 800 MHz

Memory, Standard

512 MB

Memory, Maximum

2560 MB

Hard Disk

Option available

Expandable Memory Options

Yes

Apple Macintosh Operating Systems Supported

Mac OS X (10.5, 10.6, 10.7, 10.8)

Linux Operating Systems Supported

Fedora 14, 15, 16, 17, Linpus Linux Desktop 9.6, SUSE Linux Enterprise Server 10, 11, SUSE Linux Enterprise Desktop 10, 11, Red Hat Linux Desktop 6.0, Debian GNU/Linux 5.0, 6.0, Mint 9, 10, 11, 12, openSUSE 11.3, 11.4, 12.1, Ubuntu 11.04, 11.10, 12.04, Red Hat Enterprise Linux WS 4.0, 5.0, 6.0, PCLinuxOS 2011.9

Microsoft Windows Operating Systems Supported

Server 2012, 8 x64, 8, Windows 7, Server 2008 running Terminal Services, Server 2008, Vista, Server 2003 x64, XP, Server 2003, XP x64, Server 2003 running Terminal Services, Server 2003 x64 running Terminal Services, Vista x64, Server 2008 x64, Server 2008 x64 running Terminal Services, Windows 7 x64, Server 2008 R2, Server 2008 R2 running Terminal Services

Novell Operating Systems Supported

Open Enterprise Server on SUSE Linux Enterprise Server, NetWare 5.1 (SP 6+), 6.0 (SP 3+) with Novell Distributed Print Services (NDPS), NetWare 6.5 Open Enterprise Server

UNIX Operating Systems Supported

IBM AIX 5.3, 6.1, 7.1, HP-UX 11.11, 11.23, 11.31, Sun Solaris SPARC 9, 10, Sun Solaris x86 10, 11

Included Paper Handling

550-Sheet Tray, Integrated Duplex, 550-Sheet Output Bin, 100-Sheet Multipurpose Feeder, 550-Sheet Input

Optional Paper Handling

Output Expander, 250-Sheet Lockable Tray, 550-Sheet Tray, 250-Sheet Tray, 2100-Sheet Tray, 550-Sheet Lockable Tray, High Capacity Output Expander, Staple Finisher, 4-Bin Mailbox

Paper Input Capacity, Standard: Up to

1200 pages 20 lb or 75 gsm bond

Paper Input Capacity, Maximum: Up to

4400 pages 20 lb or 75 gsm bond

Paper Output Capacity, Standard: Up to

550 pages 20 lb or 75 gsm bond

Paper Output Capacity, Maximum: Up to

2550 pages 20 lb or 75 gsm bond

Finishing Option

Yes

Number of Paper Inputs, Standard

3

Number of Paper Inputs, Maximum

6

Media Types Supported

Refer to the Card Stock & Label Guide, Paper Labels, Integrated Labels, Dual Web Labels, Card Stock, Envelopes, Transparencies, Plain Paper

Media Sizes Supported

A6, Office, Universal, Statement, Folio, DL Envelope, B5 Envelope, A4, 7 3/4 Envelope, 10 Envelope, 9 Envelope, A5, C5 Envelope, Executive, JIS-B5, Legal, Letter

Standard Ports

Front USB 2.0 Specification Hi-Speed Certified Port (Type A), One Internal Card Slot, USB 2.0 Specification Hi-Speed Certified (Type B), Gigabit Ethernet (10/100/1000)

Optional Network Ports

Internal MarkNet N8350 802.11b/g/n Wireless

Optional Local Ports

Internal 1284-B Bidirectional Parallel, Internal RS-232C serial

Network Printing Methods

IPP 1.0, 1.1, 2.0 (Internet Printing Protocol), FTP, TFTP, Direct IP (Port 9100), LPR/LPD, Enhanced IP (Port 9400), ThinPrint .print integration, Telnet

Network Protocol Support

UDP, TCP/IP IPv6, AppleTalk™, TCP, TCP/IP IPv4

Network Security

IPSec, SNMPv3, 802.1x Authentication: MD5, MSCHAPv2, LEAP, PEAP, TLS, TTLS

Printer Languages (Standard)

PDF 1.7 emulation, Direct Image, PCL 5e Emulation, PCL 6 Emulation, Personal Printer Data Stream (PPDS), PostScript 3 Emulation, Microsoft XPS (XML Paper Specification)

Laser Cartridge Yields

45,000*-page Extra High Yield Cartridge, 25,000*-page High Yield Cartridge, 6,000*-page Cartridge

Cartridge(s) Shipping with Product

10,000*-page Starter Return Program Toner Cartridge

Replacement Cartridges:

Product functions only with replacement cartridges designed for use in a specific geographical region. See www.lexmark.com/regions for more details.

Packaged Size (mm - H x W x D)

763 x 615 x 537 mm

Size (mm - H x W x D)

525 x 425 x 510 mm

Packaged Size (in. - H x W x D)

30.0 x 24.2 x 21.1 in.

Size (in. - H x W x D)

20.7 x 16.7 x 20.1 in.

Weight (kg)

29.47 kg

Weight (lb.)

65.0 lb.

Noise Level, Idle

32 dBA

Print Noise Level, Operating

58 dBA

Product Warranty

1-Year Exchange Service, Next Business Day

Product Certifications

Energy Star V1.2, Blue Angel (RAL-UZ-122), CAN/CSA-C22.2 60950-1, CSA E60825-1, ICES-003 Class B, BSMI Class B, CNS 13438, VCCI Class B, US FDA, FCC Class B, UL 60950-1, IEC 320-1, EN/IEC 60320-1, CE Class B, CB IEC 60950-1, EN 62311, EN 60950-1, EN/IEC 61000-3, EN 55022 Class B, EN 55024, EN/IEC 60825-1, GS (TÜV), SEMKO, UL AR, CS, TÜV Rh, SMA C-tick mark Class B, CCC Class B, CISPIR 22 Class B, EK Mark, N Mark, ECMA-370, TED

Maximum Monthly Duty Cycle

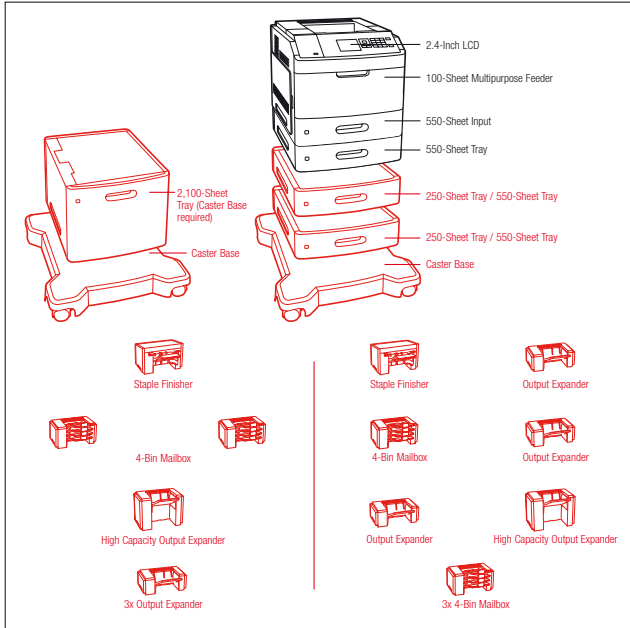
Up to 300,000 pages per month

Recommended Monthly Page Volume

5000 - 50,000 pages

Specified Operating Environment

Altitude: 0 - 2896 Meters (9,500 Feet), Humidity: 8 to 80% Relative Humidity, Temperature: 16 to 32°C (60 to 90°F)



Standard
 Optional

| Part # | Model |
|---------|------------------|
| 40G0470 | Lexmark MS812dtn |

| Part # | Laser Toner/Print Cartridge |
|---------|--|
| 52D1X00 | 521X Extra High Yield Return Program Toner Cartridge |
| 52D1H00 | 521H High Yield Return Program Toner Cartridge |
| 52D1000 | 521 Return Program Toner Cartridge |
| 52D0XA0 | 520XA Extra High Yield Toner Cartridge |
| 52D0Z00 | 520Z Black Return Program Imaging Unit |
| 52D0ZA0 | 520ZA Black Imaging Unit |
| 25A0013 | Staple Cartridges (3 pack) |

| Part # | Paper Handling |
|---------|-------------------------------|
| 40G0804 | 2100-Sheet Tray |
| 40G0800 | 250-Sheet Tray |
| 40G0802 | 550-Sheet Tray |
| 40G0820 | 250-Sheet Lockable Tray |
| 40G0822 | 550-Sheet Lockable Tray |
| 40G0852 | 4-Bin Mailbox |
| 40G0851 | Output Expander |
| 40G0853 | High Capacity Output Expander |
| 40G0850 | Staple Finisher |
| 40G0854 | 4.3 in. (11 cm) Spacer |

| Part # | Furniture |
|---------|----------------|
| 40G0855 | Caster Base |
| 3073173 | Swivel Cabinet |

| Part # | Memory Options |
|---------|-------------------------------|
| 57X9016 | 1024MBx32 DDR3-DRAM |
| 57X9012 | 2048MBx32 DDR3-DRAM |
| 57X9101 | 256MB Flash Memory Card |
| 27X0200 | 160+ GB Hard Disk |
| 57X9115 | Japanese Font Card |
| 57X9114 | Korean Font Card |
| 57X9112 | Simplified Chinese Font Card |
| 57X9110 | Traditional Chinese Font Card |

| Part # | Application Solutions |
|---------|--|
| 40G0811 | MS71x, MS81xn, dn Card for IPDS |
| 40G0810 | MS71x, MS81xn, dn Forms and Bar Code Card |
| 40G0817 | MS71x, MS81xn, dn Card for PRESCRIBE Emulation |

| Part # | Connectivity |
|---------|---|
| 1021294 | USB Cable (2-meter) |
| 27X0225 | MarkNet N8350 802.11b/g/n Wireless Print Server |
| 14F0000 | Parallel 1284-B Interface Card |
| 1021231 | Parallel Cable (10-foot) |
| 14F0100 | RS-232C Serial Interface Card |

| Part # | Extended Warranties |
|---------|--|
| 2355916 | MS812 2-Years Total (1+1) Exchange Service |

| | |
|---------|--|
| 2355917 | MS812 3-Years Total (1+2) Exchange Service |
| 2355918 | MS812 4-Years Total (1+3) Exchange Service |
| 2355919 | MS812 5-Years Total (1+4) Exchange Service |
| 2355920 | MS812 1-Year Exchange Service Renewal |
| 2355923 | MS812 Upgrade to Onsite Service |
| 2355924 | MS812 2-Years Total (1+1) Onsite Service |
| 2355925 | MS812 3-Years Total (1+2) Onsite Service |
| 2355926 | MS812 4-Years Total (1+3) Onsite Service |
| 2355927 | MS812 5-Years Total (1+4) Onsite Service |
| 2355928 | MS812 1-Year Onsite Service Renewal |

| Part # | User Replaceable Parts |
|---------|--|
| 40X8420 | Return Program Fuser Maintenance kit, 110-120V Type 00, Letter |
| 40X7706 | Roller Maintenance Kit |
| 40X7743 | Return Program Fuser, 110-120V Type 00, Letter |
| 40X8425 | Fuser Maintenance kit, 110-120V, Type 05, Letter |
| 40X8016 | Fuser, 110-120V Type 05, Letter |

Lexmark MS812de



Produce documents that steal the show. With faster print speeds, workflow solutions, 2-sided printing and multiple finishing styles, the Lexmark MS812de is sure to satisfy.

Print Technology

Monochrome Laser

Display

Lexmark e-Task 7-inch (17.8 cm) color touch screen

Print Speed (Letter, Black)

Up to 70 ppm

Print Speed (Letter, Black) Duplex

Up to 42 spm

Time to First Page (Black)

As fast as 4.0 seconds

Print Resolution, Black

600 x 600 dpi, 2400 Image Quality, 1200 Image Quality, 1200 x 1200 dpi

Processor

Dual Core, 800 MHz

Memory, Standard

512 MB

Memory, Maximum

2560 MB

Hard Disk

Option available

Expandable Memory Options

Yes

Apple Macintosh Operating Systems Supported

Mac OS X (10.5, 10.6, 10.7, 10.8)

Linux Operating Systems Supported

Fedora 14, 15, 16, 17, Linpus Linux Desktop 9.6, SUSE Linux Enterprise Server 10, 11, SUSE Linux Enterprise Desktop 10, 11, Red Hat Linux Desktop 6.0, Debian GNU/Linux 5.0, 6.0, Mint 9, 10, 11, 12, openSUSE 11.3, 11.4, 12.1, Ubuntu 11.04, 11.10, 12.04, Red Hat Enterprise Linux WS 4.0, 5.0, 6.0, PCLinuxOS 2011.9

Microsoft Windows Operating Systems Supported

Server 2012, 8 x64, 8, Windows 7, Server 2008 running Terminal Services, Server 2008, Vista, Server 2003 x64, XP, Server 2003, XP x64, Server 2003 running Terminal Services, Server 2003 x64 running Terminal Services, Vista x64, Server 2008 x64, Server 2008 x64 running Terminal Services, Windows 7 x64, Server 2008 R2, Server 2008 R2 running Terminal Services

Novell Operating Systems Supported

Open Enterprise Server on SUSE Linux Enterprise Server, NetWare 5.1 (SP 6+), 6.0 (SP 3+) with Novell Distributed Print Services (NDPS), NetWare 6.5 Open Enterprise Server

UNIX Operating Systems Supported

IBM AIX 5.3, 6.1, 7.1, HP-UX 11.11, 11.23, 11.31, Sun Solaris SPARC 9, 10, Sun Solaris x86 10, 11

Included Paper Handling

Integrated Duplex, 550-Sheet Input, 550-Sheet Output Bin, 100-Sheet Multipurpose Feeder

Optional Paper Handling

Output Expander, 4-Bin Mailbox, 250-Sheet Lockable Tray, 550-Sheet Tray, 250-Sheet Tray, 2100-Sheet Tray, 550-Sheet Lockable Tray, Staple Finisher, High Capacity Output Expander

Paper Input Capacity, Standard: Up to

650 pages 20 lb or 75 gsm bond

Paper Input Capacity, Maximum: Up to

4400 pages 20 lb or 75 gsm bond

Paper Output Capacity, Standard: Up to

550 pages 20 lb or 75 gsm bond

Paper Output Capacity, Maximum: Up to

2550 pages 20 lb or 75 gsm bond

Finishing Option

Yes

Number of Paper Inputs, Standard

2

Number of Paper Inputs, Maximum

6

Media Types Supported

Refer to the Card Stock & Label Guide, Paper Labels, Integrated Labels, Dual Web Labels, Card Stock, Envelopes, Transparencies, Plain Paper

Media Sizes Supported

A6, Office, Universal, Statement, Folio, DL Envelope, B5 Envelope, A4, 7 3/4 Envelope, 10 Envelope, 9 Envelope, A5, C5 Envelope, Executive, JIS-B5, Legal, Letter

Standard Ports

Rear USB 2.0 Specification Hi-Speed Certified Port (Type A), One Internal Card Slot, USB 2.0 Specification Hi-Speed Certified (Type B), Gigabit Ethernet (10/100/1000), Front USB 2.0 Specification Hi-Speed Certified Port (Type A)

Optional Network Ports

Internal MarkNet N8350 802.11b/g/n Wireless

Optional Local Ports

Internal 1284-B Bidirectional Parallel, Internal RS-232C serial

Network Printing Methods

IPP 1.0, 1.1, 2.0 (Internet Printing Protocol), FTP, TFTP, Direct IP (Port 9100), LPR/LPD, Enhanced IP (Port 9400), ThinPrint .print integration, Telnet

Network Protocol Support

UDP, TCP/IP IPv6, AppleTalk™, TCP, TCP/IP IPv4

Network Security

IPSec, SNMPv3, 802.1x Authentication: MD5, MSCHAPv2, LEAP, PEAP, TLS, TTLS

Printer Languages (Standard)

PDF 1.7 emulation, PCL 5e Emulation, PCL 6 Emulation, Personal Printer Data Stream (PPDS), PostScript 3 Emulation, Direct Image, Microsoft XPS (XML Paper Specification)

Laser Cartridge Yields

45,000*-page Extra High Yield Cartridge, 25,000*-page High Yield Cartridge, 6,000*-page Cartridge

Cartridge(s) Shipping with Product

10,000*-page Starter Return Program Toner Cartridge

Replacement Cartridges:

Product functions only with replacement cartridges designed for use in a specific geographical region. See www.lexmark.com/regions for more details.

Packaged Size (mm - H x W x D)

563 x 615 x 537 mm

Size (mm - H x W x D)

419 x 425 x 510 mm

Packaged Size (in. - H x W x D)

22.2 x 24.2 x 21.1 in.

Size (in. - H x W x D)

16.5 x 16.7 x 20.1 in.

Weight (kg)

23.99 kg

Weight (lb.)

52.9 lb.

Noise Level, Idle

32 dBA

Print Noise Level, Operating

58 dBA

Product Warranty

1-Year Exchange Service, Next Business Day

Product Certifications

Energy Star V1.2, Blue Angel (RAL-UZ-122), CAN/CSA-C22.2 60950-1, CSA E60825-1, ICES-003 Class A, BSMI Class A, CNS 13438, VCCI Class A, US FDA, FCC Class A, UL 60950-1, IEC 320-1, EN/IEC 60320-1, CE Class A, CB IEC 60950-1, EN 62311, EN 60950-1, EN/IEC 61000-3, EN 55022 Class A, EN 55024, EN/IEC 60825-1, GS (TÜV), SEMKO, UL AR, CS, TÜV Rh, SMA C-tick mark Class A, CCC Class A, CISPIR 22 Class A, EK Mark, N Mark, ECMA-370, TED

Maximum Monthly Duty Cycle

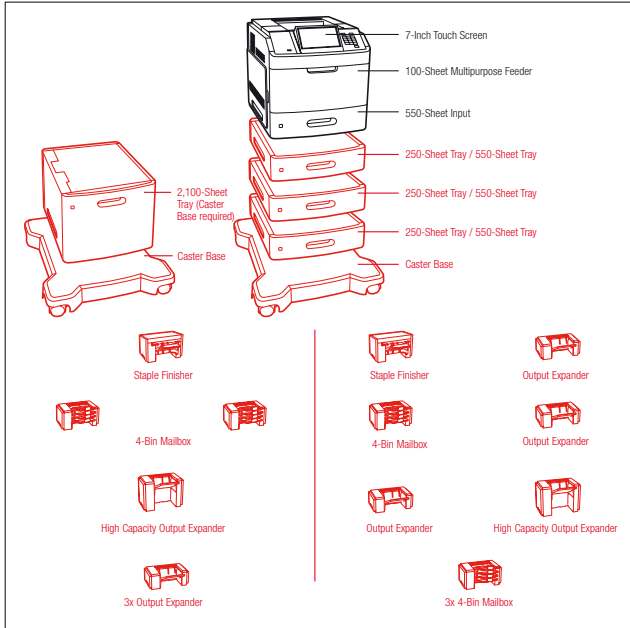
Up to 300000 pages per month

Recommended Monthly Page Volume

5000 - 50000 pages

Specified Operating Environment

Altitude: 0 - 2896 Meters (9,500 Feet), Humidity: 8 to 80% Relative Humidity, Temperature: 16 to 32°C (60 to 90°F)



Standard
 Optional

MONOCHROME LASER

| Part # | Model |
|---------|-----------------|
| 40G0350 | Lexmark MS812de |

| Part # | Laser Toner/Print Cartridge |
|---------|--|
| 52D1X00 | 521X Extra High Yield Return Program Toner Cartridge |
| 52D1H00 | 521H High Yield Return Program Toner Cartridge |
| 52D1000 | 521 Return Program Toner Cartridge |
| 52D0XA0 | 520XA Extra High Yield Toner Cartridge |
| 52D0Z00 | 520Z Black Return Program Imaging Unit |
| 52D0ZA0 | 520ZA Black Imaging Unit |
| 25A0013 | Staple Cartridges (3 pack) |

| Part # | Paper Handling |
|---------|-------------------------------|
| 40G0804 | 2100-Sheet Tray |
| 40G0800 | 250-Sheet Tray |
| 40G0802 | 550-Sheet Tray |
| 40G0820 | 250-Sheet Lockable Tray |
| 40G0822 | 550-Sheet Lockable Tray |
| 40G0852 | 4-Bin Mailbox |
| 40G0851 | Output Expander |
| 40G0853 | High Capacity Output Expander |
| 40G0850 | Staple Finisher |
| 40G0854 | 4.3 in. (11 cm) Spacer |

| Part # | Furniture |
|---------|----------------|
| 40G0855 | Caster Base |
| 3073173 | Swivel Cabinet |

| Part # | Memory Options |
|---------|-------------------------------|
| 57X9016 | 1024MBx32 DDR3-DRAM |
| 57X9012 | 2048MBx32 DDR3-DRAM |
| 57X9010 | 256MB Flash Memory Card |
| 27X0200 | 160+ GB Hard Disk |
| 57X9115 | Japanese Font Card |
| 57X9114 | Korean Font Card |
| 57X9112 | Simplified Chinese Font Card |
| 57X9110 | Traditional Chinese Font Card |

| Part # | Application Solutions |
|---------|--------------------------------------|
| 40G0840 | MS812de Forms and Bar Code Card |
| 40G0841 | MS812de Card for IPDS |
| 40G0847 | MS812de Card for PRESCRIBE Emulation |

| Part # | Connectivity |
|---------|---|
| 1021294 | USB Cable (2-meter) |
| 27X0225 | MarkNet N8350 802.11b/g/n Wireless Print Server |
| 14F0000 | Parallel 1284-B Interface Card |
| 1021231 | Parallel Cable (10-foot) |
| 14F0100 | RS-232C Serial Interface Card |

| Part # | Extended Warranties |
|---------|--|
| 2355916 | MS812 2-Years Total (1+1) Exchange Service |

| | |
|---------|--|
| 2355917 | MS812 3-Years Total (1+2) Exchange Service |
| 2355918 | MS812 4-Years Total (1+3) Exchange Service |
| 2355919 | MS812 5-Years Total (1+4) Exchange Service |
| 2355920 | MS812 1-Year Exchange Service Renewal |
| 2355923 | MS812 Upgrade to Onsite Service |
| 2355924 | MS812 2-Years Total (1+1) Onsite Service |
| 2355925 | MS812 3-Years Total (1+2) Onsite Service |
| 2355926 | MS812 4-Years Total (1+3) Onsite Service |
| 2355927 | MS812 5-Years Total (1+4) Onsite Service |
| 2355928 | MS812 1-Year Onsite Service Renewal |

| Part # | User Replaceable Parts |
|---------|--|
| 40X8420 | Return Program Fuser Maintenance kit, 110-120V Type 00, Letter |
| 40X7706 | Roller Maintenance Kit |
| 40X7743 | Return Program Fuser, 110-120V Type 00, Letter |
| 40X8425 | Fuser Maintenance kit, 110-120V, Type 05, Letter |
| 40X8016 | Fuser, 110-120V Type 05, Letter |

Lexmark W850n

11x17



A departmental superstar, with exceptional reliability, input capacity, 11 x 17 paper support and optional finishing

Print Technology

Monochrome Laser

Display

4-line 160 x 64 pixel All Points Addressable (APA) backlit gray-scale display

Print Speed (Letter, Black)

Up to 50 ppm

Print Speed (Letter, Black) Duplex

Up to 50 ppm

Time to First Page (Black)

As fast as 6 seconds

Print Resolution, Black

600 x 600 dpi, 2400 Image Quality, 1200 x 1200 dpi

Processor

800 MHz

Memory, Standard

256 MB

Memory, Maximum

1280 MB

Hard Disk

Option available

Expandable Memory Options

Yes

Apple Macintosh Operating Systems Supported

Mac OS 9.2, Mac OS X

Linux Operating Systems Supported

Ubuntu 8.10, 9.04, Ubuntu 8.04 LTS, Red Flag Linux Desktop 5.0, 6.0, Linspire Linux 6.0, SUSE Linux Enterprise Desktop 10, Red Hat Enterprise Linux WS 3.0, 4.0, 5.0, Linpus Linux Desktop 9.2, 9.3, SUSE Linux Enterprise Server 8.0, 9.0, 10, 11, openSUSE 10.2, 10.3, 11.0, 11.1, Debian GNU/Linux 4.0, Ubuntu 7.10, SUSE Linux Enterprise Desktop 11, Debian GNU/Linux 5.0

Microsoft Windows Operating Systems Supported

7, Server 2008 x64 running Terminal Services, Vista x64, Server 2003 x64 running Terminal Services, 2000 Server running Terminal Services, XP x64, XP, 2000, Server 2003, Server 2003 running Terminal Services, Server 2003 x64, Vista, Server 2008, Server 2008 x64, Server 2008 running Terminal Services

Novell Operating Systems Supported

NetWare 5.x, 6.x with iPrint or Novell Distributed Print Services (NDPS), Open Enterprise Server for Netware with NDS, iPrint or Novell Distributed Print Services (NDPS)

UNIX Operating Systems Supported

IBM AIX 5.2, 5.3, 6.1, Sun Solaris SPARC 8, 9, 10, HP-UX 11.11, 11.23, 11.31, Sun Solaris x86 10

Other Operating Systems Supported

Virtually any platform supporting TCP/IP, IBM iSeries or IBM AS/400® Systems with TCP/IP with OS/400® V3R1 or later using OS/400 Host Print Transform

Paper Handling Standard

100-Sheet Multipurpose Feeder, 500-Sheet Output Bin, Two 500-Sheet Trays

Paper Handling Optional

3,500-Sheet Finisher, 2,000-Sheet Dual Input, 2,000-Sheet High-Capacity Feeder, 2 x 500-Sheet Drawer,

Duplex Unit

Paper Input Capacity, Standard: Up to

1,100 pages 20 lb or 75 gsm bond

Paper Input Capacity, Maximum: Up to

5,100 pages 20 lb or 75 gsm bond

Paper Output Capacity, Standard: Up to

500 pages 20 lb or 75 gsm bond

Paper Output Capacity, Maximum: Up to

3,800 pages 20 lb or 75 gsm bond

Finishing Option

Yes

Number of Paper Inputs, Standard

3

Number of Paper Inputs, Maximum

6

Media Types Supported

Refer to the Card Stock & Label Guide, Paper Labels, Envelopes, Card Stock, Plain Paper, Transparencies

Media Sizes Supported

Universal, Statement, Letter, Legal, Folio, DL Envelope, A5, A3, 10 Envelope, 7 3/4 Envelope, A4, C5 Envelope, Executive, JIS-B4, JIS-B5, Ledger

Standard Ports

Rear Hi-Speed USB Port Compatible with USB 2.0 Specification (Type A), Gigabit Ethernet (10/100/1000), One Internal Card Slot, Hi-Speed USB Port Compatible with USB 2.0 Specification (Type B), Front Hi-Speed USB Port Compatible with USB 2.0 Specification (Type A)

Optional Network Ports

Internal MarkNet™ N8150 802.11b/g/n Wireless, Internal MarkNet™ N8130 Fiber Fast Ethernet, Lexmark N4050e 802.11g Wireless Print Server (Print Only)

Optional Local Ports

Internal 1284-B Bidirectional Parallel, Internal RS-232C serial

Network Printing Methods

ThinPrint .print integration, IPP 1.1 (Internet Printing Protocol), NDPS/NEPS (Novell Distributed Print Services), Novell Netware Enterprise Print Services, Enhanced IP (Port 9400), FTP, TFTP, NDS Queue-based Printing, Socket (Raw TCP/IP), LPR/LPD, Direct IP (Port 9100), HTTP

Network Protocol Support

UDP, LexLink (DLC), TCP/IP IPv6, TCP, AppleTalk™, TCP/IP IPv4, IPX/SPX

Network Security

IPSec, SNMPv3, 802.1x Authentication: MD5, MSCHAPv2, LEAP, PEAP, TLS, TTLS

Printer Languages (Standard)

Microsoft XPS (XML Paper Specification), Direct Image, PDF 1.6, xHTML, Personal Printer Data Stream (PPDS), PCL 5e Emulation, PCL 6 Emulation, PostScript 3 Emulation

Supplies Yield

35,000¹-page High Yield Toner Cartridge

Cartridge(s) Shipping with Product

35,000¹-page High Yield Toner Cartridge

Packaged Size (mm - H x W x D)

620 x 600 x 770 mm

Size (mm - H x W x D)

508 x 641 x 520 mm

Packaged Size (in. - H x W x D)

24.4 x 31.5 x 30.3 in.

Size (in. - H x W x D)

20.0 x 25.25 x 20.5 in.

Size, Trays Extended (mm - H x W x D)

508 x 971 x 520 mm

Weight (kg)

45.6 kg

Size, Trays Extended (in. - H x W x D)

20.0 x 38.25 x 20.5 in.

Weight (lb.)

100.5 lb.

Noise Level, Idle

22 dBA

Print Noise Level, Operating

55 dBA

Product Warranty

1-Year Onsite Service, Next Business Day

Product Certifications

CSA, ICES Class A, BSMI Class A, VCCI Class A, FCC Class A, UL 60950 3rd Edition, IEC 320-1, CE Class A, CB IEC 60950, IEC 60825-1, GS (TÜV), SEMKO, UL AR, CS, TÜV Rh, N Mark, C-tick Class A/CC Class A

Maximum Monthly Duty Cycle

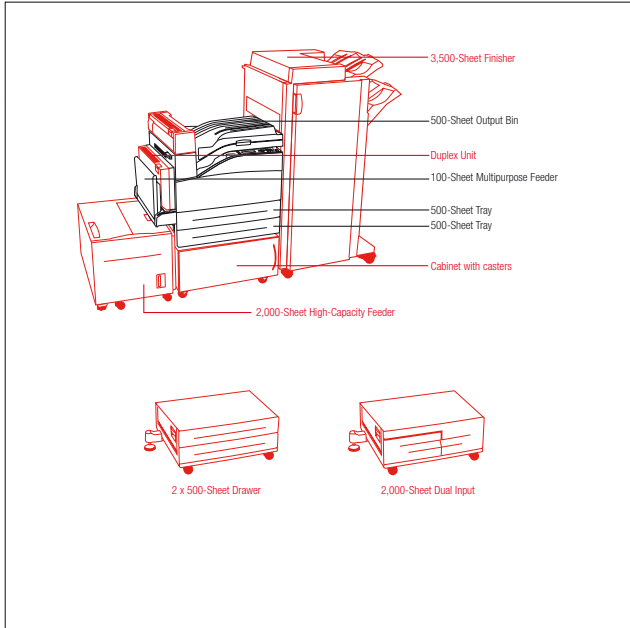
Up to 300,000 pages per month

Recommended Monthly Page Volume

15,000 - 59,000 pages

Specified Operating Environment

Altitude: 0 - 3048 Meters (10,000 Feet), Temperature: 16 to 32°C (60 to 90°F), Humidity: 8 to 80% Relative Humidity



Standard
 Optional

| Part # | Model |
|---------|---------------|
| 1920300 | Lexmark W850n |

| Part # | Laser Toner/Print Cartridge |
|----------|---------------------------------|
| W850H21G | W850 High Yield Toner Cartridge |
| W850H22G | W850 Photoconductor Kit |
| 25A0013 | Staple Cartridges (3 pack) |

| Part # | Paper Handling |
|---------|-----------------------|
| 25A0015 | W850 Duplex Unit |
| 15R0120 | 2000-Sheet Dual Input |
| 15R0146 | 2 x 500-Sheet Drawer |
| 15R0145 | High Capacity Feeder |
| 15R0144 | Finisher (2/3-Hole) |

| Part # | Furniture |
|---------|-----------------|
| 15R0140 | Printer Cabinet |

| Part # | Memory Options |
|---------|-------------------------------|
| 1025041 | 256MB DDR2-DRAM |
| 1025042 | 512MB DDR2-DRAM |
| 1025043 | 1024MB DDR2-DRAM |
| 14F0245 | 256MB Flash Card |
| 14F0102 | 80+GB Hard Disk |
| 30G0828 | Japanese Font Card |
| 30G0825 | Korean Font Card |
| 30G0826 | Simplified Chinese Font Card |
| 30G0827 | Traditional Chinese Font Card |
| 30G0287 | Arabic Font Card |

| Part # | Application Solutions |
|---------|-----------------------------------|
| 30G0829 | Lexmark PrintCrypton Card |
| 1920033 | W850 Card for IPDS/SCS/TNe |
| 1920032 | W850 Forms and Bar Code Card |
| 1924038 | W850 Card for PRESCRIBE Emulation |

| Part # | Connectivity |
|---------|---|
| 1021294 | USB Cable (2-meter) |
| 14F0042 | MarkNet N8130 Fiber Ethernet 100BaseFX, 10BaseFL Print Server |
| 14F0040 | MarkNet N8150 802.11b/g/n Wireless Print Server |
| 14F0000 | Parallel 1284-B Interface Card |
| 1021231 | Parallel Cable (10-foot) |
| 14F0100 | RS-232C Serial Interface Card |

| Part # | Extended Warranties |
|---------|--|
| 2351516 | W850 2-Years Total (1+1) Onsite Service, Next Business Day |
| 2351517 | W850 3-Years Total (1+2) Onsite Service, Next Business Day |
| 2351518 | W850 4-Years Total (1+3) Onsite Service, Next Business Day |
| 2351519 | W850 5-Years Total (1+4) Onsite Service, Next Business Day |
| 2351520 | W850 1-Year Onsite Service Renewal, Next Business Day |

| Part # | User Replaceable Parts |
|---------|-------------------------------------|
| 40X0956 | W850 Fuser Maintenance Kit 110-120V |

| Part # | Installation Service |
|---------|----------------------------------|
| 2351541 | W850 Install, De-Install Service |



Lexmark W850dn

11x17

A star performer in every way, with paper-saving duplex, exceptional input capacity, A3/ 11 x 17 paper support and optional finishing

Print Technology

Monochrome Laser

Display

4-line 160 x 64 pixel All Points Addressable (APA) backlit gray-scale display

Print Speed (Letter, Black)

Up to 50 ppm

Print Speed (Letter, Black) Duplex

Up to 50 ppm

Time to First Page (Black)

As fast as 6 seconds

Print Resolution, Black

600 x 600 dpi, 2400 Image Quality, 1200 x 1200 dpi

Processor

800 MHz

Memory, Standard

256 MB

Memory, Maximum

1280 MB

Hard Disk

Option available

Expandable Memory Options

Yes

Apple Macintosh Operating Systems Supported

Mac OS 9.2, Mac OS X

Linux Operating Systems Supported

Ubuntu 8.10, 9.04, Ubuntu 8.04 LTS, Red Flag Linux Desktop 5.0, 6.0, Linspire Linux 6.0, SUSE Linux Enterprise Desktop 10, Red Hat Enterprise Linux WS 3.0, 4.0, 5.0, Linpus Linux Desktop 9.2, 9.3, SUSE Linux Enterprise Server 8.0, 9.0, 10, 11, openSUSE 10.2, 10.3, 11.0, 11.1, Debian GNU/Linux 4.0, Ubuntu 7.10, SUSE Linux Enterprise Desktop 11, Debian GNU/Linux 5.0

Microsoft Windows Operating Systems Supported

7, Server 2008 x64 running Terminal Services, Vista x64, Server 2003 x64 running Terminal Services, 2000 Server running Terminal Services, XP x64, XP, 2000, Server 2003, Server 2003 running Terminal Services, Server 2003 x64, Vista, Server 2008, Server 2008 x64, Server 2008 running Terminal Services

Novell Operating Systems Supported

NetWare 5.x, 6.x with iPrint or Novell Distributed Print Services (NDPS), Open Enterprise Server for Netware with NDS, iPrint or Novell Distributed Print Services (NDPS)

UNIX Operating Systems Supported

IBM AIX 5.2, 5.3, 6.1, Sun Solaris SPARC 8, 9, 10, HP-UX 11.11, 11.23, 11.31, Sun Solaris x86 10

Other Operating Systems Supported

Virtually any platform supporting TCP/IP, IBM iSeries or IBM AS/400® Systems with TCP/IP with OS/400® V3R1 or later using OS/400 Host Print Transform

Paper Handling Standard

100-Sheet Multipurpose Feeder, 500-Sheet Output Bin, Duplex Unit, Two 500-Sheet Trays

Paper Handling Optional

3,500-Sheet Finisher, 2,000-Sheet Dual Input, 2 x 500-Sheet Drawer, 2,000-Sheet High-Capacity Feeder

Paper Input Capacity, Standard: Up to

1,100 pages 20 lb or 75 gsm bond

Paper Input Capacity, Maximum: Up to

5,100 pages 20 lb or 75 gsm bond

Paper Output Capacity, Standard: Up to

500 pages 20 lb or 75 gsm bond

Paper Output Capacity, Maximum: Up to

3,800 pages 20 lb or 75 gsm bond

Finishing Option

Yes

Number of Paper Inputs, Standard

3

Number of Paper Inputs, Maximum

6

Media Types Supported

Refer to the Card Stock & Label Guide, Paper Labels, Envelopes, Card Stock, Plain Paper, Transparencies

Media Sizes Supported

Universal, Statement, Letter, Legal, Folio, DL Envelope, A5, A3, 10 Envelope, 7 3/4 Envelope, A4, C5 Envelope, Executive, JIS-B4, JIS-B5, Ledger

Standard Ports

Rear Hi-Speed USB Port Compatible with USB 2.0 Specification (Type A), Gigabit Ethernet (10/100/1000), One Internal Card Slot, Hi-Speed USB Port Compatible with USB 2.0 Specification (Type B), Front Hi-Speed USB Port Compatible with USB 2.0 Specification (Type A)

Optional Network Ports

Internal MarkNet™ N8150 802.11b/g/n Wireless, Internal MarkNet™ N8130 Fiber Fast Ethernet, Lexmark N4050e 802.11g Wireless Print Server (Print Only)

Optional Local Ports

Internal 1284-B Bidirectional Parallel, Internal RS-232C serial

Network Printing Methods

ThinPrint .print integration, IPP 1.1 (Internet Printing Protocol), NDPS/NEPS (Novell Distributed Print Services, Novell Network Enterprise Print Services), Enhanced IP (Port 9400), FTP, TFTP, NDS Queue-based Printing, Socket (Raw TCP/IP), LPR/LPD, Direct IP (Port 9100), HTTP

Network Protocol Support

UDP, LexLink (DLC), TCP/IP IPv6, TCP, AppleTalk™, TCP/IP IPv4, IPX/SPX

Network Security

IPSec, SNMPv3, 802.1x Authentication: MD5, MSCHAPv2, LEAP, PEAP, TLS, TTLS

Printer Languages (Standard)

Microsoft XPS (XML Paper Specification), Direct Image, PDF 1.6, xHTML, Personal Printer Data Stream (PPDS), PCL 5e Emulation, PCL 6 Emulation, PostScript 3 Emulation

Packaged Size (mm - H x W x D)

1115 x 830 x 830 mm

Size (mm - H x W x D)

578 x 641 x 520 mm

Packaged Size (in. - H x W x D)

43.9 x 32.7 x 32.7 in.

Size (in. - H x W x D)

22.75 x 25.25 x 20.5 in.

Size, Trays Extended (mm - H x W x D)

578 x 971 x 520 mm

Weight (kg)

49.4 kg

Size, Trays Extended (in. - H x W x D)

22.75 x 38.25 x 20.5 in.

Weight (lb.)

109 lb.

Noise Level, Idle

22 dBA

Print Noise Level, Operating

55 dBA

Product Warranty

1-Year Onsite Service, Next Business Day

Product Certifications

Energy Star, Blue Angel (RAL-UZ-122), CSA, ICES Class A, BSMI Class A, VCCI Class A, FCC Class A, UL 60950 3rd Edition, IEC 320-1, CE Class A, CB IEC 60950, IEC 60825-1, GS (TÜV), SEMKO, UL AR, CS, TÜV Rh, N Mark, C-tick Class ACCC Class A

Maximum Monthly Duty Cycle

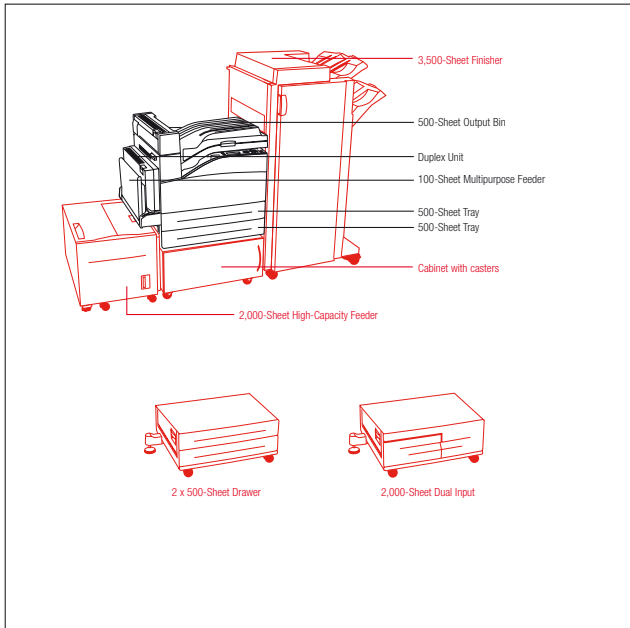
Up to 300,000 pages per month

Recommended Monthly Page Volume

15,000 - 59,000 pages

Specified Operating Environment

Altitude: 0 - 3048 Meters (10,000 Feet), Temperature: 16 to 32°C (60 to 90°F), Humidity: 8 to 80% Relative Humidity



Standard
 Optional

| Part # | Model |
|---------|----------------|
| 1920301 | Lexmark W850dn |

| Part # | Laser Toner/Print Cartridge |
|----------|---------------------------------|
| W850H21G | W850 High Yield Toner Cartridge |
| W850H22G | W850 Photoconductor Kit |
| 25A0013 | Staple Cartridges (3 pack) |

| Part # | Paper Handling |
|---------|-----------------------|
| 15R0120 | 2000-Sheet Dual Input |
| 15R0146 | 2 x 500-Sheet Drawer |
| 15R0145 | High Capacity Feeder |
| 15R0144 | Finisher (2/3-Hole) |

| Part # | Furniture |
|---------|-----------------|
| 15R0140 | Printer Cabinet |

| Part # | Memory Options |
|---------|-------------------------------|
| 1025041 | 256MB DDR2-DRAM |
| 1025042 | 512MB DDR2-DRAM |
| 1025043 | 1024MB DDR2-DRAM |
| 14F0245 | 256MB Flash Card |
| 14F0102 | 80+GB Hard Disk |
| 30G0828 | Japanese Font Card |
| 30G0825 | Korean Font Card |
| 30G0826 | Simplified Chinese Font Card |
| 30G0827 | Traditional Chinese Font Card |
| 30G0287 | Arabic Font Card |

| Part # | Application Solutions |
|---------|-----------------------------------|
| 30G0829 | Lexmark PrintCryption Card |
| 1920033 | W850 Card for IPDS/SCS/TNe |
| 1920032 | W850 Forms and Bar Code Card |
| 1924038 | W850 Card for PRESCRIBE Emulation |

| Part # | Connectivity |
|---------|---|
| 1021294 | USB Cable (2-meter) |
| 14F0042 | MarkNet N8130 Fiber Ethernet 100BaseFX, 10BaseFL Print Server |
| 14F0040 | MarkNet N8150 802.11b/g/n Wireless Print Server |
| 14F0000 | Parallel 1284-B Interface Card |
| 1021231 | Parallel Cable (10-foot) |
| 14F0100 | RS-232C Serial Interface Card |

| Part # | Extended Warranties |
|---------|--|
| 2351516 | W850 2-Years Total (1+1) Onsite Service, Next Business Day |
| 2351517 | W850 3-Years Total (1+2) Onsite Service, Next Business Day |
| 2351518 | W850 4-Years Total (1+3) Onsite Service, Next Business Day |
| 2351519 | W850 5-Years Total (1+4) Onsite Service, Next Business Day |
| 2351520 | W850 1-Year Onsite Service Renewal, Next Business Day |

| Part # | User Replaceable Parts |
|---------|-------------------------------------|
| 40X0956 | W850 Fuser Maintenance Kit 110-120V |

| Part # | Installation Service |
|---------|----------------------------------|
| 2351541 | W850 Install, De-Install Service |



Lexmark CS310n

The Lexmark CS310 Series color laser printer performs like no other. With PANTONE® color matching and other features typically found only on larger, higher-end systems, this affordable desktop system helps your company shine with professional results.

Print Technology

Color Laser

Display

16 character, 2-line backlit All Points Addressable (APA)

LCD Display

Print Speed (Letter, Black)

Up to 25 ppm

Print Speed (Letter, Color)

Up to 25 ppm

Time to First Page (Black)

As fast as 10 seconds

Time to First Page (Color)

As fast as 11 seconds

Print Resolution, Black

4800 Color Quality (2400 x 600 dpi), 1200 x 1200 dpi

Print Resolution, Color

4800 Color Quality (2400 x 600 dpi), 1200 x 1200 dpi

Processor

Dual Core, 800 MHz

Memory, Standard

256 MB

Memory, Maximum

2304 MB

Hard Disk

Not Available

Expandable Memory Options

Yes

Apple Macintosh Operating Systems Supported

Mac OS X (10.5, 10.6, 10.7, 10.8)

Linux Operating Systems Supported

Fedora 14, 15, 16, 17, Linpus Linux Desktop 9.6, SUSE Linux Enterprise Server 10, 11, SUSE Linux Enterprise Desktop 10, 11, Red Flag Linux Desktop 6.0, Debian GNU/Linux 5.0, 6.0, Mint 9, 10, 11, 12, openSUSE 11.3, 11.4, 12.1, Ubuntu 11.04, 11.10, 12.04, Red Hat Enterprise Linux WS 4.0, 5.0, 6.0, PCLinuxOS 2011.9

Microsoft Windows Operating Systems Supported

Server 2012, 8 x64, 8, Windows 7, Server 2008 running Terminal Services, Server 2008, Vista, Server 2003 x64, XP, Server 2003, XP x64, Server 2003 running Terminal Services, Server 2003 x64 running Terminal Services, Vista x64, Server 2008 x64, Server 2008 x64 running Terminal Services, Windows 7 x64, Server 2008 R2, Server 2008 R2 running Terminal Services

Novell Operating Systems Supported

Open Enterprise Server on SUSE Linux Enterprise Server, NetWare 5.1 (SP 6+), 6.0 (SP 3+) with Novell Distributed Print Services (NDPS), NetWare 6.5 Open Enterprise Server

UNIX Operating Systems Supported

IBM AIX 5.3, 6.1, 7.1, HP-LUX 11.11, 11.23, 11.31, Sun Solaris SPARC 9, 10, Sun Solaris x86 10, 11

Included Paper Handling

Single-Sheet Manual Feeder, 125-Sheet Output Bin, 250-Sheet Input

Optional Paper Handling

550-Sheet Duo Tray with 100-Sheet Feeder

Paper Input Capacity, Standard: Up to

250+1 pages 20 lb or 75 gsm bond

Paper Input Capacity, Maximum: Up to

900+1 pages 20 lb or 75 gsm bond

Paper Output Capacity, Standard: Up to

125 pages 20 lb or 75 gsm bond

Paper Output Capacity, Maximum: Up to

125 pages 20 lb or 75 gsm bond

Finishing Option

No

Number of Paper Inputs, Standard

1

Number of Paper Inputs, Maximum

3

Media Types Supported

Refer to the Card Stock & Label Guide, Paper Labels, Card Stock, Transparencies, Plain Paper

Media Sizes Supported

Oficio, Universal, Letter, Legal, A5, A4, Executive, Folio, JIS-B5

Standard Ports

Ethernet 10/100BaseTX (RJ-45), also works with 1000Base-T, USB 2.0 Specification Hi-Speed Certified (Type B)

Optional Network Ports

MarkNet N8352 802.11b/g/n Wireless

Network Printing Methods

IPP 1.0, 1.1, 2.0 (Internet Printing Protocol), Enhanced IP (Port 9400), LPV/LPD, Direct IP (Port 9100), FTP, TFTP, Telnet

Network Protocol Support

UDP, TCP/IP IPv6, AppleTalk™, TCP, TCP/IP IPv4

Network Security

SNMPv3

Printer Languages (Standard)

PDF 1.7 emulation, PostScript 3 Emulation, Microsoft XPS (XML Paper Specification), Direct Image, Personal Printer Data Stream (PPDS), PCL 5c Emulation, PCL 6 Emulation

Laser Cartridge Yields

4,000+ page Black High Yield Cartridge, 3,000+ page Color (CMY) High Yield Cartridges, 1,000+ page Black and Color (CMYK) Cartridges

Cartridge(s) Shipping with Product

750+ page Black and Color (CMYK) Starter Return Program Toner Cartridges

Replacement Cartridges:

Product functions only with replacement cartridges designed for use in a specific geographical region. See www.lexmark.com/regions for more details.

Packaged Size (mm - H x W x D)

402 x 595 x 495 mm

Size (mm - H x W x D)

291 x 442 x 407 mm

Packaged Size (in. - H x W x D)

15.8 x 23.4 x 19.4 in.

Size (in. - H x W x D)

11.5 x 17.4 x 16.0 in.

Weight (kg)

20.1 kg

Weight (lb.)

44.3 lb.

Noise Level, Idle

16 dBA

Print Noise Level, Operating

48 dBA

Product Warranty

1-Year Exchange Service, Next Business Day

Product Certifications

CAN/CSA-C22.2 60950-1, CSA E60825-1, ICES-003 Class B, BSMI Class B, VCCI Class B, US FDA, FCC Class B, UL 60950-1, EN/IEC 60320-1, CE Class B, CB IEC 60950-1, EN 60950-1, EN/IEC 61000-3, EN 55022 Class B, EN 55024, EN/IEC 60825-1, UL/DEMKO GS, AR S, SMA C-tick mark Class B, CCC Class B, CISPR 22 Class B, MIC Mark, EK Mark

Maximum Monthly Duty Cycle

Up to 60000 pages per month

Recommended Monthly Page Volume

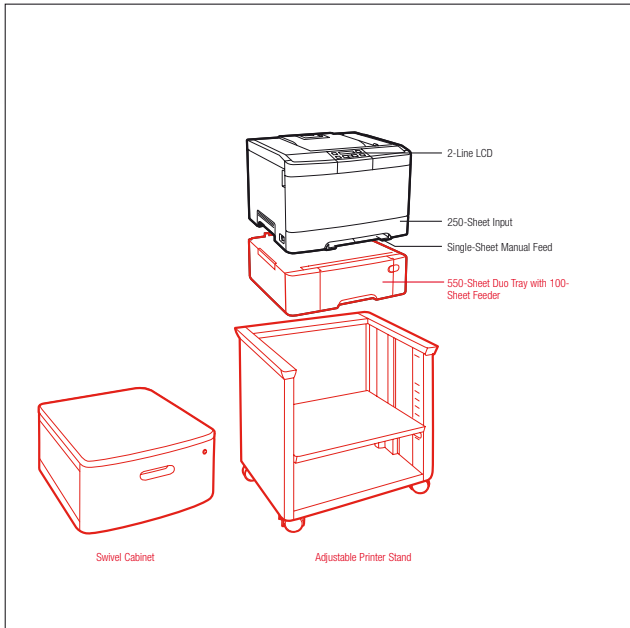
500 - 5000 pages

Specified Operating Environment

Altitude: 0 - 2896 Meters (9,500 Feet), Temperature: 16 to 32°C (60 to 90°F), Humidity: 8 to 80% Relative Humidity

License/Agreement Terms

Printers are sold subject to certain license/agreement conditions. See www.lexmark.com/printerlicense for details.



Standard
 Optional

COLOR LASER

| Part # | Model |
|---------|----------------|
| 28C0000 | Lexmark CS310n |

| Part # | Laser Toner/Print Cartridge |
|----------|---|
| 70C1HK0 | 701HK Black High Yield Return Program Toner Cartridge |
| 70C1HC0 | 701HC Cyan High Yield Return Program Toner Cartridge |
| 70C1HM0 | 701HM Magenta High Yield Return Program Toner Cartridge |
| 70C1HY0 | 701HY Yellow High Yield Return Program Toner Cartridge |
| 70C1OK0 | 701K Black Return Program Toner Cartridge |
| 70C1OC0 | 701C Cyan Return Program Toner Cartridge |
| 70C1OM0 | 701M Magenta Return Program Toner Cartridge |
| 70C1OY0 | 701Y Yellow Return Program Toner Cartridge |
| 70C0H10 | 700H1 Black High Yield Toner Cartridge |
| 70C0H20 | 700H2 Cyan High Yield Toner Cartridge |
| 70C0H30 | 700H3 Magenta High Yield Toner Cartridge |
| 70C0H40 | 700H4 Yellow High Yield Toner Cartridge |
| 70C0Z10 | 700Z1 Black Imaging Kit |
| 70C0Z50 | 700Z5 Black and Colour Imaging Kit |
| 70C0P00 | 700P Photoconductor Unit |
| 70C0D10 | 700D1 Black Developer Unit |
| 70C0D20 | 700D2 Cyan Developer Unit |
| 70C0D30 | 700D3 Magenta Developer Unit |
| 70C0D40 | 700D4 Yellow Developer Unit |
| C540X75G | Waste Toner Bottle |

| Part # | Paper Handling |
|---------|--|
| 38C0626 | 550-Sheet Duo Tray with 100-Sheet Feeder |

| Part # | Furniture |
|---------|--------------------------|
| 35S8502 | Adjustable Printer Stand |
| 3073173 | Swivel Cabinet |

| Part # | Memory Options |
|---------|---------------------|
| 57X9016 | 1024MBx32 DDR3-DRAM |
| 57X9012 | 2048MBx32 DDR3-DRAM |

| Part # | Connectivity |
|---------|--|
| 1021294 | USB Cable (2-meter) |
| 27X0130 | Lexmark MarkNet 8352 802.11b/g/n Wireless for CS310, CS410, CS510 Series |
| 14T0220 | MarkNet™ N7020e Gigabit Ethernet Print Server |

| Part # | Extended Warranties |
|---------|--|
| 2356072 | CS310 2-Years Total (1+1) Exchange Service |
| 2356073 | CS310 3-Years Total (1+2) Exchange Service |
| 2356074 | CS310 4-Years Total (1+3) Exchange Service |
| 2356075 | CS310 5-Years Total (1+4) Exchange Service |
| 2356076 | CS310 1-Year Exchange Service Renewal |
| 2356079 | CS310 Upgrade to Onsite Service |
| 2356080 | CS310 2-Years Total (1+1) Onsite Service |

| | |
|---------|--|
| 2356081 | CS310 3-Years Total (1+2) Onsite Service |
| 2356082 | CS310 4-Years Total (1+3) Onsite Service |
| 2356083 | CS310 5-Years Total (1+4) Onsite Service |
| 2356084 | CS310 1-Year Onsite Service Renewal |

| Part # | Service Parts |
|---------|---------------------------------|
| 40X7615 | Fuser Maintenance kit, 110-120V |
| 40X7610 | Image Transfer Unit |
| 40X7622 | Fuser, 110-120V |



Lexmark CS310dn

The Lexmark CS310 Series color laser printer performs like no other. With PANTONE® color matching and other features typically found only on larger, higher-end systems, this affordable desktop system helps your company shine with professional results.

Print Technology

Color Laser

Display

16 character, 2-line backlit All Points Addressable (APA)

LCD Display

Print Speed (Letter, Black)

Up to 25 ppm

Print Speed (Letter, Color)

Up to 25 ppm

Print Speed (Letter, Black) Duplex

Up to 12 spm

Time to First Page (Black)

As fast as 10 seconds

Time to First Page (Color)

As fast as 11 seconds

Print Resolution, Black

4800 Color Quality (2400 x 600 dpi), 1200 x 1200 dpi

Print Resolution, Color

4800 Color Quality (2400 x 600 dpi), 1200 x 1200 dpi

Processor

Dual Core, 800 MHz

Memory, Standard

256 MB

Memory, Maximum

2304 MB

Hard Disk

Not Available

Expandable Memory Options

Yes

Apple Macintosh Operating Systems Supported

Mac OS X (10.5, 10.6, 10.7, 10.8)

Linux Operating Systems Supported

Fedora 14, 15, 16, 17, Linpus Linux Desktop 9.6, SUSE Linux Enterprise Server 10, 11, SUSE Linux Enterprise Desktop 10, 11, Red Flag Linux Desktop 6.0, Debian GNU/Linux 5.0, 6.0, Mint 9, 10, 11, 12, openSUSE 11.3, 11.4, 12.1, Ubuntu 11.04, 11.10, 12.04, Red Hat Enterprise Linux WS 4.0, 5.0, 6.0, PCLinuxOS 2011.9

Microsoft Windows Operating Systems Supported

Server 2012, 8 x64, 8, Windows 7, Server 2008 running Terminal Services, Server 2008, Vista, Server 2003 x64, XP, Server 2003, XP x64, Server 2003 running Terminal Services, Server 2003 x64 running Terminal Services, Vista x64, Server 2008 x64, Server 2008 x64 running Terminal Services, Windows 7 x64, Server 2008 R2, Server 2008 R2 running Terminal Services

Novell Operating Systems Supported

Open Enterprise Server on SUSE Linux Enterprise Server, NetWare 5.1 (SP 6+), 6.0 (SP 3+) with Novell Distributed Print Services (NDPS), NetWare 6.5 Open Enterprise Server

UNIX Operating Systems Supported

IBM AIX 5.3, 6.1, 7.1, HP-LUX 11.11, 11.23, 11.31, Sun Solaris SPARC 9, 10, Sun Solaris x86 10, 11

Included Paper Handling

Single-Sheet Manual Feed, Integrated Duplex, 250-Sheet Input, 125-Sheet Output Bin

Optional Paper Handling

550-Sheet Duo Tray with 100-Sheet Feeder

Paper Input Capacity, Standard: Up to

250+1 pages 20 lb or 75 gsm bond

Paper Input Capacity, Maximum: Up to

900+1 pages 20 lb or 75 gsm bond

Paper Output Capacity, Standard: Up to

125 pages 20 lb or 75 gsm bond

Paper Output Capacity, Maximum: Up to

125 pages 20 lb or 75 gsm bond

Finishing Option

No

Number of Paper Inputs, Standard

1

Number of Paper Inputs, Maximum

3

Media Types Supported

Refer to the Card Stock & Label Guide, Paper Labels, Card Stock, Transparencies, Plain Paper

Media Sizes Supported

Oficio, Universal, Letter, Legal, A5, A4, Executive, Folio, JIS-B5

Standard Ports

Ethernet 10/100BaseTX (RJ-45), also works with 1000Base-T, USB 2.0 Specification Hi-Speed Certified (Type B)

Optional Network Ports

MarkNet N8352 802.11b/g/n Wireless, External MarkNet™ N7020e Gigabit Ethernet

Network Printing Methods

IPP 1.0, 1.1, 2.0 (Internet Printing Protocol), Enhanced IP (Port 9400), LPR/LPD, Direct IP (Port 9100), FTP, TFTP, Telnet

Network Protocol Support

UDP, TCP/IP IPv6, AppleTalk™, TCP, TCP/IP IPv4

Network Security

SNMPv3

Printer Languages (Standard)

PDF 1.7 emulation, Microsoft XPS (XML Paper Specification), Direct Image, PostScript 3 Emulation, PCL 6 Emulation, PCL 5c Emulation, Personal Printer Data Stream (PPDS)

Laser Cartridge Yields

4,000*-page Black High Yield Cartridge, 3,000*-page Color (CMY) High Yield Cartridges, 1,000*-page Black and Color (CMYK) Cartridges

Cartridge(s) Shipping with Product

1,400*-page Black and Color (CMYK) Starter Return Program Toner Cartridges

Replacement Cartridges:

Product functions only with replacement cartridges designed for use in a specific geographical region. See www.lexmark.com/regions for more details.

Packaged Size (mm - H x W x D)

402 x 595 x 495 mm

Size (mm - H x W x D)

291 x 442 x 407 mm

Packaged Size (in. - H x W x D)

15.8 x 23.4 x 19.4 in.

Size (in. - H x W x D)

11.5 x 17.4 x 16.0 in.

Weight (kg)

20.3 kg

Weight (lb.)

44.8 lb.

Noise Level, Idle

16 dBA

Print Noise Level, Operating

48 dBA

Product Warranty

1-Year Exchange Service, Next Business Day

Product Certifications

Energy Star, Blue Angel (RAL-UZ-122), CAN/CSA-C22.2 60950-1, CSA E60825-1, ICES-003 Class B, BSMI Class B, VCCI Class B, US FDA, FCC Class B, UL 60950-1, EN/IEC 60320-1, CE Class B, CB IEC 60950-1, EN 60950-1, EN/IEC 61000-3, EN 55022 Class B, EN 55024, EN/IEC 60825-1, UL/DEMKO GS, AR S, SMA C-tick mark Class B, CCC Class B, CISPIR 22 Class B, MIC Mark, EK Mark

Maximum Monthly Duty Cycle

Up to 60000 pages per month

Recommended Monthly Page Volume

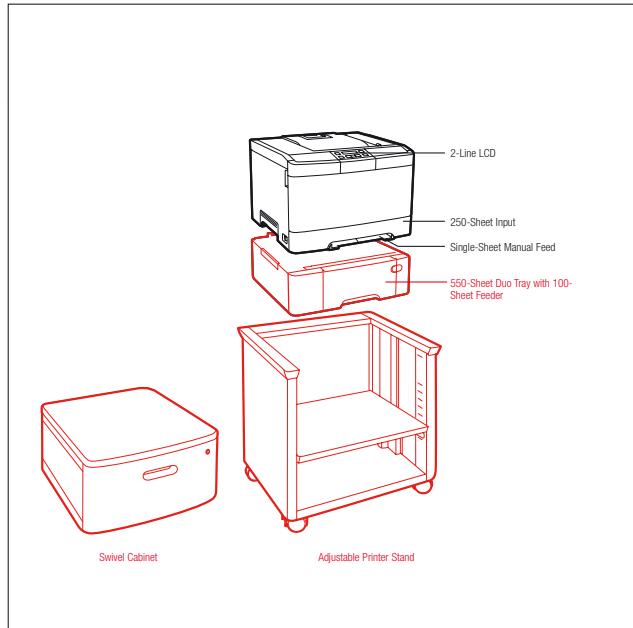
500 - 5000 pages

Specified Operating Environment

Altitude: 0 - 2896 Meters (9,500 Feet), Temperature: 16 to 32°C (60 to 90°F), Humidity: 8 to 80% Relative Humidity

License/Agreement Terms

Printers are sold subject to certain license/agreement conditions. See www.lexmark.com/printerlicense for details.



Standard
 Optional

| Part # | Model |
|---------|-----------------|
| 28C0050 | Lexmark CS310dn |

| Part # | Laser Toner/Print Cartridge |
|----------|---|
| 70C1HK0 | 701HK Black High Yield Return Program Toner Cartridge |
| 70C1HC0 | 701HC Cyan High Yield Return Program Toner Cartridge |
| 70C1HM0 | 701HM Magenta High Yield Return Program Toner Cartridge |
| 70C1HY0 | 701HY Yellow High Yield Return Program Toner Cartridge |
| 70C1OK0 | 701K Black Return Program Toner Cartridge |
| 70C1OC0 | 701C Cyan Return Program Toner Cartridge |
| 70C1OM0 | 701M Magenta Return Program Toner Cartridge |
| 70C1OY0 | 701Y Yellow Return Program Toner Cartridge |
| 70C0H10 | 70DH1 Black High Yield Toner Cartridge |
| 70C0H20 | 70DH2 Cyan High Yield Toner Cartridge |
| 70C0H30 | 70DH3 Magenta High Yield Toner Cartridge |
| 70C0H40 | 70DH4 Yellow High Yield Toner Cartridge |
| 70C0Z10 | 70OZ1 Black Imaging Kit |
| 70C0Z50 | 70OZ5 Black and Colour Imaging Kit |
| 70C0P00 | 70DP Photoconductor Unit |
| 70C0D10 | 70DD1 Black Developer Unit |
| 70C0D20 | 70DD2 Cyan Developer Unit |
| 70C0D30 | 70DD3 Magenta Developer Unit |
| 70C0D40 | 70DD4 Yellow Developer Unit |
| C540X75G | Waste Toner Bottle |

| Part # | Paper Handling |
|---------|--|
| 38C0626 | 550-Sheet Duo Tray with 100-Sheet Feeder |

| Part # | Furniture |
|---------|--------------------------|
| 35S8502 | Adjustable Printer Stand |
| 3073173 | Swivel Cabinet |

| Part # | Memory Options |
|---------|---------------------|
| 57X9016 | 1024MBx32 DDR3-DRAM |
| 57X9012 | 2048MBx32 DDR3-DRAM |

| Part # | Connectivity |
|---------|--|
| 1021294 | USB Cable (2-meter) |
| 27X0130 | Lexmark MarkNet 8352 802.11b/g/n Wireless for CS310, CS410, CS510 Series |
| 14T0220 | MarkNet™ N7020e Gigabit Ethernet Print Server |

| Part # | Extended Warranties |
|---------|--|
| 2356072 | CS310 2-Years Total (1+1) Exchange Service |
| 2356073 | CS310 3-Years Total (1+2) Exchange Service |
| 2356074 | CS310 4-Years Total (1+3) Exchange Service |
| 2356075 | CS310 5-Years Total (1+4) Exchange Service |
| 2356076 | CS310 1-Year Exchange Service Renewal |
| 2356079 | CS310 Upgrade to Onsite Service |
| 2356080 | CS310 2-Years Total (1+1) Onsite Service |

| | |
|---------|--|
| 2356081 | CS310 3-Years Total (1+2) Onsite Service |
| 2356082 | CS310 4-Years Total (1+3) Onsite Service |
| 2356083 | CS310 5-Years Total (1+4) Onsite Service |
| 2356084 | CS310 1-Year Onsite Service Renewal |

| Part # | Service Parts |
|---------|---------------------------------|
| 40X7615 | Fuser Maintenance kit, 110-120V |
| 40X7610 | Image Transfer Unit |
| 40X7622 | Fuser, 110-120V |



Lexmark CS410n

The Lexmark CS410 Series color laser printer affordably delivers PANTONE® color matching and smart print capabilities typically found only on higher-end systems. This powerhouse system gives you a competitive edge.

Print Technology

Color Laser

Display

2.4-inch (6 cm) color LCD display

Print Speed (Letter, Black)

Up to 32 ppm

Print Speed (Letter, Color)

Up to 32 ppm

Time to First Page (Black)

As fast as 9 seconds

Time to First Page (Color)

As fast as 10 seconds

Print Resolution, Black

4800 Color Quality (2400 x 600 dpi), 1200 x 1200 dpi

Print Resolution, Color

4800 Color Quality (2400 x 600 dpi), 1200 x 1200 dpi

Processor

Dual Core, 800 MHz

Memory, Standard

256 MB

Memory, Maximum

2304 MB

Hard Disk

Not Available

Expandable Memory Options

Yes

Apple Macintosh Operating Systems Supported

Mac OS X (10.5, 10.6, 10.7, 10.8)

Linux Operating Systems Supported

Fedora 14, 15, 16, 17, Linpus Linux Desktop 9.6, SUSE Linux Enterprise Server 10, 11, SUSE Linux Enterprise Desktop 10, 11, Red Flag Linux Desktop 6.0, Debian GNU/Linux 5.0, 6.0, Mint 9, 10, 11, 12, openSUSE 11.3, 11.4, 12.1, Ubuntu 11.04, 11.10, 12.04, Red Hat Enterprise Linux WS 4.0, 5.0, 6.0, PCLinuxOS 2011.9

Microsoft Windows Operating Systems Supported

Server 2012, 8 x64, 8, Windows 7, Server 2008 running Terminal Services, Server 2008, Vista, Server 2003 x64, XP, Server 2003, XP x64, Server 2003 running Terminal Services, Server 2003 x64 running Terminal Services, Vista x64, Server 2008 x64, Server 2008 x64 running Terminal Services, Windows 7 x64, Server 2008 R2, Server 2008 R2 running Terminal Services

Novell Operating Systems Supported

Open Enterprise Server on SUSE Linux Enterprise Server, NetWare 5.1 (SP 6+), 6.0 (SP 3+) with Novell Distributed Print Services (NDPS), NetWare 6.5 Open Enterprise Server

UNIX Operating Systems Supported

IBM AIX 5.3, 6.1, 7.1, HP-UX 11.11, 11.23, 11.31, Sun Solaris SPARC 9, 10, Sun Solaris x86 10, 11

Included Paper Handling

Single-Sheet Manual Feed, 125-Sheet Output Bin, 250-Sheet Input

Optional Paper Handling

550-Sheet Duo Tray with 100-Sheet Feeder, 550-Sheet Tray

Paper Input Capacity, Standard: Up to

250+1 pages 20 lb or 75 gsm bond

Paper Input Capacity, Maximum: Up to

1450+1 pages 20 lb or 75 gsm bond

Paper Output Capacity, Standard: Up to

125 pages 20 lb or 75 gsm bond

Paper Output Capacity, Maximum: Up to

125 pages 20 lb or 75 gsm bond

Finishing Option

No

Number of Paper Inputs, Standard

1

Number of Paper Inputs, Maximum

4

Media Types Supported

Refer to the Card Stock & Label Guide, Paper Labels, Card Stock, Transparencies, Plain Paper

Media Sizes Supported

Oficio, Universal, Letter, Legal, A5, A4, Executive, Folio, JIS-B5

Standard Ports

Ethernet 10/100BaseTX (RJ-45), also works with 1000Base-T, USB 2.0 Specification Hi-Speed Certified (Type B), Front USB 2.0 Specification Hi-Speed Certified Port (Type A)

Optional Network Ports

MarkNet N8352 802.11b/g/n Wireless, External MarkNet™ N7020e Gigabit Ethernet

Network Printing Methods

IPP 1.0, 1.1, 2.0 (Internet Printing Protocol), Enhanced IP (Port 9400), LPR/LPD, Direct IP (Port 9100), FTP, TFTP, Telnet

Network Protocol Support

UDP, TCP/IP IPv6, AppleTalk™, TCP, TCP/IP IPv4

Network Security

SNMPv3

Printer Languages (Standard)

PDF 1.7 emulation, Microsoft XPS (XML Paper Specification), Direct Image, Personal Printer Data Stream (PPDS), PCL 5c Emulation, PCL 6 Emulation, PostScript 3 Emulation

Laser Cartridge Yields

4,000*-page Black High Yield Cartridge, 3,000*-page Color (CMY) High Yield Cartridges, 1,000*-page Black and Color (CMYK) Cartridges

Cartridge(s) Shipping with Product

1,400*-page Black and Color (CMYK) Starter Return Program Toner Cartridges

Replacement Cartridges:

Product functions only with replacement cartridges designed for use in a specific geographical region. See www.lexmark.com/regions for more details.

Packaged Size (mm - H x W x D)

402 x 595 x 495 mm

Size (mm - H x W x D)

291 x 442 x 407 mm

Packaged Size (in. - H x W x D)

15.8 x 23.4 x 19.4 in.

Size (in. - H x W x D)

11.5 x 17.4 x 16.0 in.

Weight (Kg)

20.5 kg

Weight (lb.)

45.2 lb.

Noise Level, Idle

16 dBA

Print Noise Level, Operating

50 dBA

Product Warranty

1-Year Exchange Service, Next Business Day

Product Certifications

CAN/CSA-C22.2 60950-1, CSA E60825-1, ICES-003 Class B, BSMI Class B, VCCI Class B, US FDA, FCC Class B, UL 60950-1, EN/IEC 60320-1, CE Class B, CB IEC 60950-1, EN 60950-1, EN/IEC 61000-3, EN 55022 Class B, EN 55024, EN/IEC 60825-1, UL/DEMKO GS, AR S, SMA C-tick mark Class B, CCC Class B, CISPR 22 Class B, MIC Mark, EK Mark

Maximum Monthly Duty Cycle

Up to 75000 pages per month

Recommended Monthly Page Volume

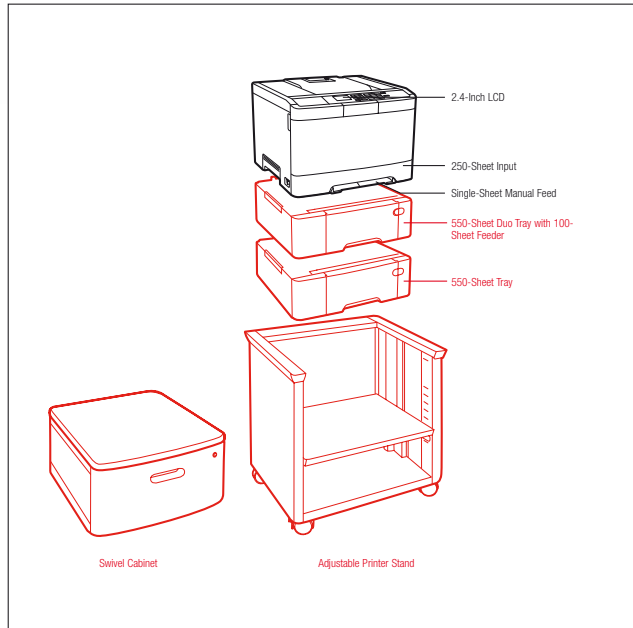
800 - 6000 pages

Specified Operating Environment

Altitude: 0 - 2896 Meters (9,500 Feet), Temperature: 16 to 32°C (60 to 90°F), Humidity: 8 to 80% Relative Humidity

License/Agreement Terms

Printers are sold subject to certain license/agreement conditions. See www.lexmark.com/printerlicense for details.



Standard
 Optional

| | |
|---------------|--|
| Part # | Model |
| 28D0000 | Lexmark CS410n |
| Part # | Laser Toner/Print Cartridge |
| 70C1HK0 | 701HK Black High Yield Return Program Toner Cartridge |
| 70C1HC0 | 701HC Cyan High Yield Return Program Toner Cartridge |
| 70C1HM0 | 701HM Magenta High Yield Return Program Toner Cartridge |
| 70C1HY0 | 701HY Yellow High Yield Return Program Toner Cartridge |
| 70C1OK0 | 701K Black Return Program Toner Cartridge |
| 70C1OC0 | 701C Cyan Return Program Toner Cartridge |
| 70C1OM0 | 701M Magenta Return Program Toner Cartridge |
| 70C1OY0 | 701Y Yellow Return Program Toner Cartridge |
| 70C0H10 | 700H1 Black High Yield Toner Cartridge |
| 70C0H20 | 700H2 Cyan High Yield Toner Cartridge |
| 70C0H30 | 700H3 Magenta High Yield Toner Cartridge |
| 70C0H40 | 700H4 Yellow High Yield Toner Cartridge |
| 70C0Z10 | 700Z1 Black Imaging Kit |
| 70C0Z50 | 700Z5 Black and Colour Imaging Kit |
| 70C0P00 | 700P Photoconductor Unit |
| 70C0D10 | 700D1 Black Developer Unit |
| 70C0D20 | 700D2 Cyan Developer Unit |
| 70C0D30 | 700D3 Magenta Developer Unit |
| 70C0D40 | 700D4 Yellow Developer Unit |
| CS40X75G | Waste Toner Bottle |
| Part # | Paper Handling |
| 38C0626 | 550-Sheet Duo Tray with 100-Sheet Feeder |
| 38C0636 | 550-Sheet Tray |
| Part # | Furniture |
| 35S8502 | Adjustable Printer Stand |
| 3073173 | Swivel Cabinet |
| Part # | Memory Options |
| 57X9016 | 1024MBx32 DDR3-DRAM |
| 57X9012 | 2048MBx32 DDR3-DRAM |
| 57X9101 | 256MB Flash Memory Card |
| 57X9115 | Japanese Font Card |
| 57X9114 | Korean Font Card |
| 57X9112 | Simplified Chinese Font Card |
| 57X9110 | Traditional Chinese Font Card |
| Part # | Application Solutions |
| 38C0511 | CS410 Forms and Bar Code Card |
| 38C0516 | CS410 Card for PRESCRIBE Emulation |
| Part # | Connectivity |
| 1021294 | USB Cable (2-meter) |
| 27X0130 | Lexmark MarkNet 8352 802.11b/g/n Wireless for CS310, CS410, CS510 Series |

| | |
|---------------|---|
| 14T0220 | MarkNet™ N7020e Gigabit Ethernet Print Server |
| Part # | Extended Warranties |
| 2356118 | CS410 2-Years Total (1+1) Exchange Service |
| 2356119 | CS410 3-Years Total (1+2) Exchange Service |
| 2356120 | CS410 4-Years Total (1+3) Exchange Service |
| 2356121 | CS410 5-Years Total (1+4) Exchange Service |
| 2356122 | CS410 1-Year Exchange Service Renewal |
| 2356125 | CS410 Upgrade to Onsite Service |
| 2356126 | CS410 2-Years Total (1+1) Onsite Service |
| 2356127 | CS410 3-Years Total (1+2) Onsite Service |
| 2356128 | CS410 4-Years Total (1+3) Onsite Service |
| 2356129 | CS410 5-Years Total (1+4) Onsite Service |
| 2356130 | CS410 1-Year Onsite Service Renewal |
| Part # | Service Parts |
| 40X7615 | Fuser Maintenance kit, 110-120V |
| 40X7610 | Image Transfer Unit |
| 40X7622 | Fuser, 110-120V |

Lexmark CS410dn



The Lexmark CS410 Series color laser printer affordably delivers PANTONE® color matching and smart print capabilities typically found only on higher-end systems. This powerhouse system gives you a competitive edge.

Print Technology

Color Laser

Display

2.4-inch (6 cm) color LCD display

Print Speed (Letter, Black)

Up to 32 ppm

Print Speed (Letter, Color)

Up to 32 ppm

Print Speed (Letter, Black) Duplex

Up to 15 ppm

Time to First Page (Black)

As fast as 9 seconds

Time to First Page (Color)

As fast as 10 seconds

Print Resolution, Black

4800 Color Quality (2400 x 600 dpi), 1200 x 1200 dpi

Print Resolution, Color

4800 Color Quality (2400 x 600 dpi), 1200 x 1200 dpi

Processor

Dual Core, 800 MHz

Memory, Standard

256 MB

Memory, Maximum

2304 MB

Hard Disk

Not Available

Expandable Memory Options

Yes

Apple Macintosh Operating Systems Supported

Mac OS X (10.5, 10.6, 10.7, 10.8)

Linux Operating Systems Supported

Fedora 14, 15, 16, 17, Linpus Linux Desktop 9.6, SUSE Linux Enterprise Server 10, 11, SUSE Linux Enterprise Desktop 10, 11, Red Flag Linux Desktop 6.0, Debian GNU/Linux 5.0, 6.0, Mint 9, 10, 11, 12, openSUSE 11.3, 11.4, 12.1, Ubuntu 11.04, 11.10, 12.04, Red Hat Enterprise Linux WS 4.0, 5.0, 6.0, PCLinuxOS 2011.9

Microsoft Windows Operating Systems Supported

Server 2012, 8 x64, 8, Windows 7, Server 2008 running Terminal Services, Server 2008, Vista, Server 2003 x64, XP, Server 2003, XP x64, Server 2003 running Terminal Services, Server 2003 x64 running Terminal Services, Vista x64, Server 2008 x64, Server 2008 x64 running Terminal Services, Windows 7 x64, Server 2008 R2, Server 2008 R2 running Terminal Services

Novell Operating Systems Supported

Open Enterprise Server on SUSE Linux Enterprise Server, NetWare 5.1(SP 6+), 6.0(SP 3+) with Novell Distributed Print Services (NDPS), NetWare 6.5 Open Enterprise Server

UNIX Operating Systems Supported

IBM AIX 5.3, 6.1, 7.1, HP-LUX 11.11, 11.23, 11.31, Sun Solaris SPARC 9, 10, Sun Solaris x86 10, 11

Included Paper Handling

Single-Sheet Manual Feed, 250-Sheet Input, Integrated Duplex, 125-Sheet Output Bin

Optional Paper Handling

550-Sheet Duo Tray with 100-Sheet Feeder, 550-Sheet

Tray

Paper Input Capacity, Standard: Up to

250+1 pages 20 lb or 75 gsm bond

Paper Input Capacity, Maximum: Up to

1450+1 pages 20 lb or 75 gsm bond

Paper Output Capacity, Standard: Up to

125 pages 20 lb or 75 gsm bond

Paper Output Capacity, Maximum: Up to

125 pages 20 lb or 75 gsm bond

Finishing Option

No

Number of Paper Inputs, Standard

1

Number of Paper Inputs, Maximum

4

Media Types Supported

Refer to the Card Stock & Label Guide, Paper Labels, Card Stock, Transparencies, Plain Paper

Media Sizes Supported

Oficio, Universal, Letter, Legal, A5, A4, Executive, Folio, JIS-B5

Standard Ports

Ethernet 10/100BaseTX (RJ-45), also works with 1000Base-T, USB 2.0 Specification Hi-Speed Certified (Type B), Front USB 2.0 Specification Hi-Speed Certified Port (Type A)

Optional Network Ports

MarkNet NB352 802.11b/g/n Wireless, External MarkNet™ N7020e Gigabit Ethernet

Network Printing Methods

IPP 1.0, 1.1, 2.0 (Internet Printing Protocol), Enhanced IP (Port 9400), LPR/LPD, Direct IP (Port 9100), FTP, TFTP, Telnet

Network Protocol Support

UDP, TCP/IP IPv6, AppleTalk™, TCP, TCP/IP IPv4

Network Security

SNMPv3

Printer Languages (Standard)

PDF 1.7 emulation, Microsoft XPS (XML Paper Specification), Direct Image, Personal Printer Data Stream (PPDS), PCL 5c Emulation, PCL 6 Emulation, PostScript 3 Emulation

Laser Cartridge Yields

4,000*-page Black High Yield Cartridge, 3,000*-page Color (CMY) High Yield Cartridges, 1,000*-page Black and Color (CMYK) Cartridges

Cartridge(s) Shipping with Product

1,400*-page Black and Color (CMYK) Starter Return Program Toner Cartridges

Replacement Cartridges:

Product functions only with replacement cartridges designed for use in a specific geographical region. See www.lexmark.com/regions for more details.

Packaged Size (mm - H x W x D)

402 x 595 x 495 mm

Size (mm - H x W x D)

291 x 442 x 407 mm

Packaged Size (in. - H x W x D)

15.8 x 23.4 x 19.4 in.

Size (in. - H x W x D)

11.5 x 17.4 x 16.0 in.

Weight (kg)

20.5 kg

Weight (lb.)

45.2 lb.

Noise Level, Idle

16 dBA

Print Noise Level, Operating

50 dBA

Product Warranty

1-Year Exchange Service, Next Business Day

Product Certifications

Energy Star, Blue Angel (RAL-UZ-122), CAN/CSA-C22.2 60950-1, CSA E60825-1, ICES-003 Class B, BSMI Class B, VCCI Class B, US FDA, FCC Class B, UL 60950-1, EN/IEC 60320-1, CE Class B, CB IEC 60950-1, EN 60950-1, EN/IEC 61000-3, EN 55022 Class B, EN 55024, EN/IEC 60825-1, UL/CISPIR GS, AR S, SMA C-tick mark Class B, CCC Class B, CISPIR 22 Class B, MIC Mark, EK Mark

Maximum Monthly Duty Cycle

Up to 75,000 pages per month

Recommended Monthly Page Volume

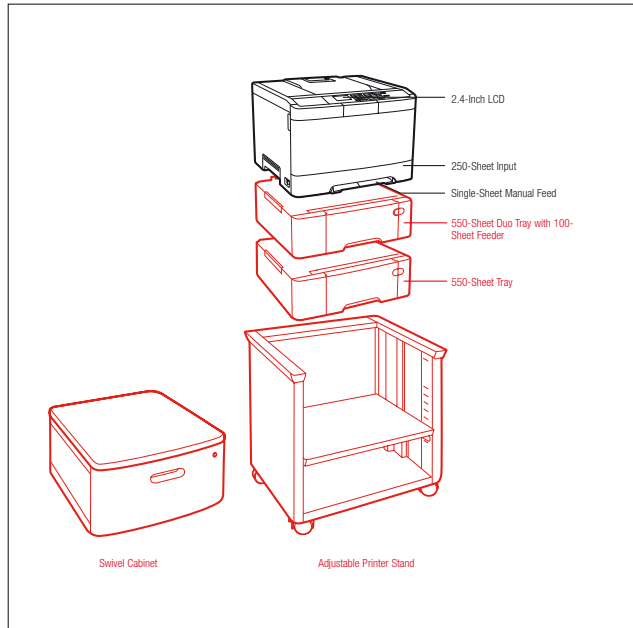
800 - 6,000 pages

Specified Operating Environment

Altitude: 0 - 2896 Meters (9,500 Feet), Temperature: 16 to 32°C (60 to 90°F), Humidity: 8 to 80% Relative Humidity

License/Agreement Terms

Printers are sold subject to certain license/agreement conditions. See www.lexmark.com/printerlicense for details.



Standard
 Optional

| Part # | Model |
|---------|-----------------|
| 28D0050 | Lexmark CS410dn |

| Part # | Laser Toner/Print Cartridge |
|----------|---|
| 70C1HK0 | 701HK Black High Yield Return Program Toner Cartridge |
| 70C1HC0 | 701HC Cyan High Yield Return Program Toner Cartridge |
| 70C1HM0 | 701HM Magenta High Yield Return Program Toner Cartridge |
| 70C1HY0 | 701HY Yellow High Yield Return Program Toner Cartridge |
| 70C1OK0 | 701K Black Return Program Toner Cartridge |
| 70C1OC0 | 701C Cyan Return Program Toner Cartridge |
| 70C1OM0 | 701M Magenta Return Program Toner Cartridge |
| 70C1OY0 | 701Y Yellow Return Program Toner Cartridge |
| 70C0H10 | 700H1 Black High Yield Toner Cartridge |
| 70C0H20 | 700H2 Cyan High Yield Toner Cartridge |
| 70C0H30 | 700H3 Magenta High Yield Toner Cartridge |
| 70C0H40 | 700H4 Yellow High Yield Toner Cartridge |
| 70C0Z10 | 700Z1 Black Imaging Kit |
| 70C0Z50 | 700Z5 Black and Colour Imaging Kit |
| 70C0P00 | 700P Photoconductor Unit |
| 70C0D10 | 700D1 Black Developer Unit |
| 70C0D20 | 700D2 Cyan Developer Unit |
| 70C0D30 | 700D3 Magenta Developer Unit |
| 70C0D40 | 700D4 Yellow Developer Unit |
| CS40X75G | Waste Toner Bottle |

| Part # | Paper Handling |
|---------|--|
| 38C0626 | 550-Sheet Duo Tray with 100-Sheet Feeder |
| 38C0636 | 550-Sheet Tray |

| Part # | Furniture |
|---------|--------------------------|
| 35S8502 | Adjustable Printer Stand |
| 3073173 | Swivel Cabinet |

| Part # | Memory Options |
|---------|-------------------------------|
| 57X9016 | 1024MBx32 DDR3-DRAM |
| 57X9012 | 2048MBx32 DDR3-DRAM |
| 57X9101 | 256MB Flash Memory Card |
| 57X9115 | Japanese Font Card |
| 57X9114 | Korean Font Card |
| 57X9112 | Simplified Chinese Font Card |
| 57X9110 | Traditional Chinese Font Card |

| Part # | Application Solutions |
|---------|------------------------------------|
| 38C0511 | CS410 Forms and Bar Code Card |
| 38C0516 | CS410 Card for PRESCRIBE Emulation |

| Part # | Connectivity |
|---------|--|
| 1021294 | USB Cable (2-meter) |
| 27X0130 | Lexmark MarkNet 8352 802.11b/g/n Wireless for CS310, CS410, CS510 Series |

| | |
|---------|---|
| 14T0220 | MarkNet™ N7020e Gigabit Ethernet Print Server |
|---------|---|

| Part # | Extended Warranties |
|---------|--|
| 2356118 | CS410 2-Years Total (1+1) Exchange Service |
| 2356119 | CS410 3-Years Total (1+2) Exchange Service |
| 2356120 | CS410 4-Years Total (1+3) Exchange Service |
| 2356121 | CS410 5-Years Total (1+4) Exchange Service |
| 2356122 | CS410 1-Year Exchange Service Renewal |
| 2356125 | CS410 Upgrade to Onsite Service |
| 2356126 | CS410 2-Years Total (1+1) Onsite Service |
| 2356127 | CS410 3-Years Total (1+2) Onsite Service |
| 2356128 | CS410 4-Years Total (1+3) Onsite Service |
| 2356129 | CS410 5-Years Total (1+4) Onsite Service |
| 2356130 | CS410 1-Year Onsite Service Renewal |

| Part # | Service Parts |
|---------|---------------------------------|
| 40X7615 | Fuser Maintenance kit, 110-120V |
| 40X7610 | Image Transfer Unit |
| 40X7622 | Fuser, 110-120V |



Lexmark CS410dtn

The Lexmark CS410 Series color laser printer affordably delivers PANTONE® color matching and smart print capabilities typically found only on higher-end systems. This powerhouse system gives you a competitive edge.

Print Technology

Color Laser

Display

2.4-inch (6 cm) color LCD display

Print Speed (Letter, Black)

Up to 32 ppm

Print Speed (Letter, Color)

Up to 32 ppm

Print Speed (Letter, Black) Duplex

Up to 15 spm

Time to First Page (Black)

As fast as 9 seconds

Time to First Page (Color)

As fast as 10 seconds

Print Resolution, Black

4800 Color Quality (2400 x 600 dpi), 1200 x 1200 dpi

Print Resolution, Color

4800 Color Quality (2400 x 600 dpi), 1200 x 1200 dpi

Processor

Dual Core, 800 MHz

Memory, Standard

256 MB

Memory, Maximum

2304 MB

Hard Disk

Not Available

Expandable Memory Options

Yes

Apple Macintosh Operating Systems Supported

Mac OS X (10.5, 10.6, 10.7, 10.8)

Linux Operating Systems Supported

Fedora 14, 15, 16, 17, Linpus Linux Desktop 9.6, SUSE Linux Enterprise Server 10, 11, SUSE Linux Enterprise Desktop 10, 11, Red Flag Linux Desktop 6.0, Debian GNU/Linux 5.0, 6.0, Mint 9, 10, 11, 12, openSUSE 11.3, 11.4, 12.1, Ubuntu 11.04, 11.10, 12.04, Red Hat Enterprise Linux WS 4.0, 5.0, 6.0, PCLinuxOS 2011.9

Microsoft Windows Operating Systems Supported

Server 2012, 8 x64, 8, Windows 7, Server 2008 running Terminal Services, Server 2008, Vista, Server 2003 x64, XP, Server 2003, XP x64, Server 2003 running Terminal Services, Server 2003 x64 running Terminal Services, Vista x64, Server 2008 x64, Server 2008 x64 running Terminal Services, Windows 7 x64, Server 2008 R2, Server 2008 R2 running Terminal Services

Novell Operating Systems Supported

Open Enterprise Server on SUSE Linux Enterprise Server, NetWare 5.1(SP 6+), 6.0(SP 3+) with Novell Distributed Print Services (NDPS), NetWare 6.5 Open Enterprise Server

UNIX Operating Systems Supported

IBM AIX 5.3, 6.1, 7.1, HP-LUX 11.11, 11.23, 11.31, Sun Solaris SPARC 9, 10, Sun Solaris x86 10, 11

Included Paper Handling

Single-Sheet Manual Feed, 550-Sheet Duo Tray with 100-Sheet Feeder, Integrated Duplex, 125-Sheet Output Bin, 250-Sheet Input

Optional Paper Handling

550-Sheet Tray

Paper Input Capacity, Standard: Up to

900+1 pages 20 lb or 75 gsm bond

Paper Input Capacity, Maximum: Up to

1450+1 pages 20 lb or 75 gsm bond

Paper Output Capacity, Standard: Up to

125 pages 20 lb or 75 gsm bond

Paper Output Capacity, Maximum: Up to

125 pages 20 lb or 75 gsm bond

Finishing Option

No

Number of Paper Inputs, Standard

3

Number of Paper Inputs, Maximum

4

Media Types Supported

Refer to the Card Stock & Label Guide, Plain Paper, Envelopes, Card Stock, Paper Labels, Transparencies

Media Sizes Supported

Oficio, Universal, Letter, Legal, DL Envelope, B5 Envelope, A4, 7 3/4 Envelope, 10 Envelope, 9 Envelope, A5, C5 Envelope, Executive, Folio, JIS-B5

Standard Ports

Ethernet 10/100BaseTX (RJ-45), also works with 1000Base-T, USB 2.0 Specification Hi-Speed Certified (Type B), Front USB 2.0 Specification Hi-Speed Certified Port (Type A)

Optional Network Ports

MarkNet N8352 802.11b/g/n Wireless, External MarkNet™ N7020e Gigabit Ethernet

Network Printing Methods

IPP 1.0, 1.1, 2.0 (Internet Printing Protocol), Enhanced IP (Port 9400), LPR/LPD, Direct IP (Port 9100), FTP, TFTP, Telnet

Network Protocol Support

UDP, TCP/IP IPv6, AppleTalk™, TCP, TCP/IP IPv4

Network Security

SNMPv3

Printer Languages (Standard)

PDF 1.7 emulation, Microsoft XPS (XML Paper Specification), Direct Image, Personal Printer Data Stream (PPDS), PCL 5c Emulation, PCL 6 Emulation, PostScript 3 Emulation

Laser Cartridge Yields

4,000*-page Black High Yield Cartridge, 3,000*-page Color (CMY) High Yield Cartridges, 1,000*-page Black and Color (CMYK) Cartridges

Cartridge(s) Shipping with Product

1,400*-page Black and Color (CMYK) Starter Return Program Toner Cartridges

Replacement Cartridges:

Product functions only with replacement cartridges designed for use in a specific geographical region. See www.lexmark.com/regions for more details.

Packaged Size (mm - H x W x D)

591 x 617 x 527 mm

Size (mm - H x W x D)

422 x 442 x 416 mm

Packaged Size (in. - H x W x D)

23.3 x 24.3 x 20.7 in.

Size (in. - H x W x D)

16.6 x 17.4 x 16.4 in.

Weight (kg)

24.7 kg

Weight (lb.)

54.5 lb.

Noise Level, Idle

16 dBA

Print Noise Level, Operating

50 dBA

Product Warranty

1-Year Exchange Service, Next Business Day

Product Certifications

Energy Star, Blue Angel (RAL-UZ-122), CAN/CSA-C22.2 60950-1, CSA E60825-1, ICES-003 Class B, BSMI Class B, VCCI Class B, US FDA, FCC Class B, UL 60950-1, EN/IEC 60320-1, CE Class B, CB IEC 60950-1, EN 60950-1, EN/IEC 61000-3, EN 55022 Class B, EN 55024, EN/IEC 60825-1, UL/DEMKO GS, AR S, SMA C-tick mark Class B, CCC Class B, CISPIR 22 Class B, MIC Mark, EK Mark

Maximum Monthly Duty Cycle

Up to 75000 pages per month

Recommended Monthly Page Volume

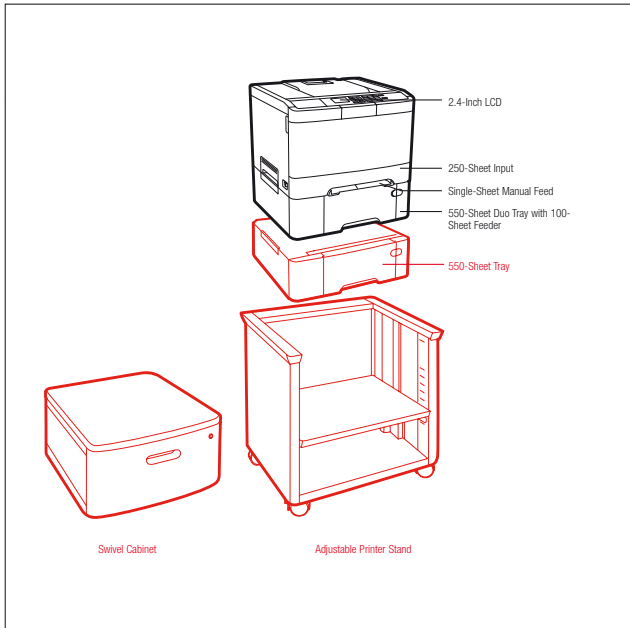
800 - 6000 pages

Specified Operating Environment

Altitude: 0 - 2896 Meters (9,500 Feet), Temperature: 16 to 32°C (60 to 90°F), Humidity: 8 to 80% Relative Humidity

License/Agreement Terms

Printers are sold subject to certain license/agreement conditions. See www.lexmark.com/printerlicense for details.



Standard
 Optional

| Part # | Model |
|---------|------------------|
| 28D0100 | Lexmark CS410dtn |

| Part # | Laser Toner/Print Cartridge |
|----------|---|
| 70C1HK0 | 701HK Black High Yield Return Program Toner Cartridge |
| 70C1HC0 | 701HC Cyan High Yield Return Program Toner Cartridge |
| 70C1HM0 | 701HM Magenta High Yield Return Program Toner Cartridge |
| 70C1HY0 | 701HY Yellow High Yield Return Program Toner Cartridge |
| 70C1OK0 | 701K Black Return Program Toner Cartridge |
| 70C1OC0 | 701C Cyan Return Program Toner Cartridge |
| 70C1OM0 | 701M Magenta Return Program Toner Cartridge |
| 70C1OY0 | 701Y Yellow Return Program Toner Cartridge |
| 70C0H10 | 700H1 Black High Yield Toner Cartridge |
| 70C0H20 | 700H2 Cyan High Yield Toner Cartridge |
| 70C0H30 | 700H3 Magenta High Yield Toner Cartridge |
| 70C0H40 | 700H4 Yellow High Yield Toner Cartridge |
| 70C0Z10 | 700Z1 Black Imaging Kit |
| 70C0Z50 | 700Z5 Black and Colour Imaging Kit |
| 70C0P00 | 700P Photoconductor Unit |
| 70C0D10 | 700D1 Black Developer Unit |
| 70C0D20 | 700D2 Cyan Developer Unit |
| 70C0D30 | 700D3 Magenta Developer Unit |
| 70C0D40 | 700D4 Yellow Developer Unit |
| CS40X75G | Waste Toner Bottle |

| Part # | Paper Handling |
|---------|----------------|
| 38C0636 | 550-Sheet Tray |

| Part # | Furniture |
|---------|--------------------------|
| 35S8502 | Adjustable Printer Stand |
| 3073173 | Swivel Cabinet |

| Part # | Memory Options |
|---------|-------------------------------|
| 57X9016 | 1024MBx32 DDR3-DRAM |
| 57X9012 | 2048MBx32 DDR3-DRAM |
| 57X9010 | 256MB Flash Memory Card |
| 57X9115 | Japanese Font Card |
| 57X9114 | Korean Font Card |
| 57X9112 | Simplified Chinese Font Card |
| 57X9110 | Traditional Chinese Font Card |

| Part # | Application Solutions |
|---------|------------------------------------|
| 38C0511 | CS410 Forms and Bar Code Card |
| 38C0516 | CS410 Card for PRESCRIBE Emulation |

| Part # | Connectivity |
|---------|--|
| 1021294 | USB Cable (2-meter) |
| 27X0130 | Lexmark MarkNet 8352 802.11b/g/n Wireless for CS310, CS410, CS510 Series |
| 14T0220 | MarkNet™ N7020e Gigabit Ethernet Print Server |

| Part # | Extended Warranties |
|---------|--|
| 2356118 | CS410 2-Years Total (1+1) Exchange Service |
| 2356119 | CS410 3-Years Total (1+2) Exchange Service |
| 2356120 | CS410 4-Years Total (1+3) Exchange Service |
| 2356121 | CS410 5-Years Total (1+4) Exchange Service |
| 2356122 | CS410 1-Year Exchange Service Renewal |
| 2356125 | CS410 Upgrade to Onsite Service |
| 2356126 | CS410 2-Years Total (1+1) Onsite Service |
| 2356127 | CS410 3-Years Total (1+2) Onsite Service |
| 2356128 | CS410 4-Years Total (1+3) Onsite Service |
| 2356129 | CS410 5-Years Total (1+4) Onsite Service |
| 2356130 | CS410 1-Year Onsite Service Renewal |

| Part # | Service Parts |
|---------|---------------------------------|
| 40X7615 | Fuser Maintenance kit, 110-120V |
| 40X7610 | Image Transfer Unit |
| 40X7622 | Fuser, 110-120V |



Lexmark CS510de

With PANTONE® color matching, workflow solutions, 2-sided printing and super-fast speeds, the Lexmark CS510de is a workhorse winner.

Print Technology

Color Laser

Display

Lexmark e-Task 4.3-inch (10.9 cm) color touch screen

Print Speed (Letter, Black)

Up to 32 ppm

Print Speed (Letter, Color)

Up to 32 ppm

Print Speed (Letter, Black) Duplex

Up to 15 spm

Time to First Page (Black)

As fast as 9 seconds

Time to First Page (Color)

As fast as 10 seconds

Print Resolution, Black

4800 Color Quality (2400 x 600 dpi), 1200 x 1200 dpi

Print Resolution, Color

4800 Color Quality (2400 x 600 dpi), 1200 x 1200 dpi

Processor

Dual Core, 800 MHz

Memory, Standard

512 MB

Memory, Maximum

2560 MB

Hard Disk

Option available

Expandable Memory Options

Yes

Apple Macintosh Operating Systems Supported

Mac OS X (10.5, 10.6, 10.7, 10.8)

Linux Operating Systems Supported

Fedora 14, 15, 16, 17, Linpus Linux Desktop 9.6, SUSE Linux Enterprise Server 10, 11, SUSE Linux Enterprise Desktop 10, 11, Red Flag Linux Desktop 6.0, Debian GNU/Linux 5.0, 6.0, Mint 9, 10, 11, 12, openSUSE 11.3, 11.4, 12.1, Ubuntu 11.04, 11.10, 12.04, Red Hat Enterprise Linux WS 4.0, 5.0, 6.0, PCLinuxOS 2011.9

Microsoft Windows Operating Systems Supported

Server 2012, 8 x64, 8, Windows 7, Server 2008 running Terminal Services, Server 2008, Vista, Server 2003 x64, XP, Server 2003, XP x64, Server 2003 running Terminal Services, Server 2003 x64 running Terminal Services, Vista x64, Server 2008 x64, Server 2008 x64 running Terminal Services, Windows 7 x64, Server 2008 R2, Server 2008 R2 running Terminal Services

Novell Operating Systems Supported

Open Enterprise Server on SUSE Linux Enterprise Server, NetWare 5.1(SP 6+), 6.0(SP 3+) with Novell Distributed Print Services (NDPS), NetWare 6.5 Open Enterprise Server

UNIX Operating Systems Supported

IBM AIX 5.3, 6.1, 7.1, HP-UX 11.11, 11.23, 11.31, Sun Solaris SPARC 9, 10, Sun Solaris x86 10, 11

Included Paper Handling

Single-Sheet Manual Feed, 250-Sheet Input, 125-Sheet Output Bin, Integrated Duplex

Optional Paper Handling

550-Sheet Duo Tray with 100-Sheet Feeder, 550-Sheet

Tray

Paper Input Capacity, Standard: Up to

250+1 pages 20 lb or 75 gsm bond

Paper Input Capacity, Maximum: Up to

1450+1 pages 20 lb or 75 gsm bond

Paper Output Capacity, Standard: Up to

125 pages 20 lb or 75 gsm bond

Paper Output Capacity, Maximum: Up to

125 pages 20 lb or 75 gsm bond

Finishing Option

No

Number of Paper Inputs, Standard

1

Number of Paper Inputs, Maximum

4

Media Types Supported

Refer to the Card Stock & Label Guide, Paper Labels, Card Stock, Transparencies, Plain Paper

Media Sizes Supported

Oficio, Universal, Letter, Legal, A5, A4, Executive, Folio, JIS-B5

Standard Ports

Rear USB 2.0 Specification Hi-Speed Certified Port (Type A), USB 2.0 Specification Hi-Speed Certified (Type B), Gigabit Ethernet (10/100/1000), Front USB 2.0 Specification Hi-Speed Certified Port (Type A)

Optional Network Ports

MarkNet N8352 802.11b/g/n Wireless

Network Printing Methods

IPP 1.0, 1.1, 2.0 (Internet Printing Protocol), FTP, TFTP, Direct IP (Port 9100), LPR/LPD, Enhanced IP (Port 9400), ThinPrint : print integration, Telnet

Network Protocol Support

UDP, TCP/IP IPv6, AppleTalk™, TCP, TCP/IP IPv4

Network Security

IPSec, SNMPv3, 802.1X Authentication: MD5, MSCHAPv2, LEAP, PEAP, TLS, TTLS

Printer Languages (Standard)

PDF 1.7 emulation, Microsoft XPS (XML Paper Specification), Direct Image, Personal Printer Data Stream (PPDS), PCL 5c Emulation, PCL 6 Emulation, PostScript 3 Emulation

Laser Cartridge Yields

8,000*-page Black Extra High Yield Cartridge, 4,000*-page Color (CMY) Extra High Yield Cartridges, 4,000*-page Black High Yield Cartridge, 3,000*-page Color (CMY) High Yield Cartridges, 1,000*-page Black and Color (CMYK) Cartridges

Cartridge(s) Shipping with Product

4,000*-page Color (CMY) Extra High Yield Return Program Toner Cartridges, 6,000*-page Black starter Return Program Toner Cartridge

Replacement Cartridges:

Product functions only with replacement cartridges designed for use in a specific geographical region. See www.lexmark.com/regions for more details.

Packaged Size (mm - H x W x D)

402 x 595 x 495 mm

Size (mm - H x W x D)

306 x 442 x 407 mm

Packaged Size (in. - H x W x D)

15.8 x 23.4 x 19.4 in.

Size (in. - H x W x D)

12.1 x 17.4 x 16.0 in.

Weight (kg)

20.9 kg

Weight (lb.)

46.1 lb.

Noise Level, Idle

16 dBA

Print Noise Level, Operating

50 dBA

Product Warranty

1-Year Exchange Service, Next Business Day

Product Certifications

Energy Star, Blue Angel (RAL-UZ-122), CAN/CSA-C22.2 60950-1, CSA E60825-1, ICES-003 Class B, BSMI Class B, VCCI Class B, US FDA, FCC Class B, UL 60950-1, EN/IEC 60320-1, CE Class B, CB IEC 60950-1, EN 60950-1, EN/IEC 61000-3, EN 55022 Class B, EN 55024, EN/IEC 60825-1, UL/DEMKO GS, AR S, SMA C-tick mark Class B, CCC Class B, CISPIR 22 Class B, MIC Mark, EK Mark

Maximum Monthly Duty Cycle

Up to 85000 pages per month

Recommended Monthly Page Volume

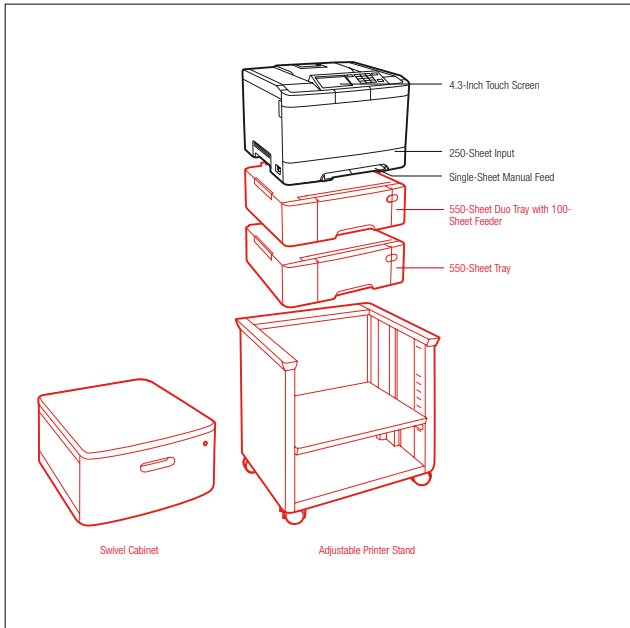
1500 - 7000 pages

Specified Operating Environment

Altitude: 0 - 2896 Meters (9,500 Feet), Humidity: 8 to 80% Relative Humidity, Temperature: 16 to 32°C (60 to 90°F)

License/Agreement Terms

Printers are sold subject to certain license/agreement conditions. See www.lexmark.com/printerlicense for details.



| Part # | Model |
|---------|-----------------|
| 28E0050 | Lexmark CS510de |

| Part # | Laser Toner/Print Cartridge |
|----------|---|
| 70C1XK0 | 701XK Black Extra High Yield Return Program Toner Cartridge |
| 70C1XC0 | 701XC Cyan Extra High Yield Return Program Toner Cartridge |
| 70C1XM0 | 701XM Magenta Extra High Yield Return Program Toner Cartridge |
| 70C1XY0 | 701XY Yellow Extra High Yield Return Program Toner Cartridge |
| 70C1HK0 | 701HK Black High Yield Return Program Toner Cartridge |
| 70C1HC0 | 701HC Cyan High Yield Return Program Toner Cartridge |
| 70C1HM0 | 701HM Magenta High Yield Return Program Toner Cartridge |
| 70C1HY0 | 701HY Yellow High Yield Return Program Toner Cartridge |
| 70C10K0 | 701K Black Return Program Toner Cartridge |
| 70C10C0 | 701C Cyan Return Program Toner Cartridge |
| 70C10M0 | 701M Magenta Return Program Toner Cartridge |
| 70C10Y0 | 701Y Yellow Return Program Toner Cartridge |
| 70C0X10 | 700X1 Black Extra High Yield Toner Cartridge |
| 70C0X20 | 700X2 Cyan Extra High Yield Toner Cartridge |
| 70C0X30 | 700X3 Magenta Extra High Yield Toner Cartridge |
| 70C0X40 | 700X4 Yellow Extra High Yield Toner Cartridge |
| 70C0Z10 | 700Z1 Black Imaging Kit |
| 70C0Z50 | 700Z5 Black and Colour Imaging Kit |
| 70C0P00 | 700P Photoconductor Unit |
| 70C0D10 | 700D1 Black Developer Unit |
| 70C0D20 | 700D2 Cyan Developer Unit |
| 70C0D30 | 700D3 Magenta Developer Unit |
| 70C0D40 | 700D4 Yellow Developer Unit |
| C540X75G | Waste Toner Bottle |

| Part # | Paper Handling |
|---------|--|
| 38C0626 | 550-Sheet Duo Tray with 100-Sheet Feeder |
| 38C0636 | 550-Sheet Tray |

| Part # | Furniture |
|---------|--------------------------|
| 35S8502 | Adjustable Printer Stand |
| 3073173 | Swivel Cabinet |

| Part # | Memory Options |
|---------|-------------------------------|
| 57X9016 | 1024Mbx32 DDR3-DRAM |
| 57X9012 | 2048Mbx32 DDR3-DRAM |
| 57X9101 | 256MB Flash Memory Card |
| 27X0200 | 160+ GB Hard Disk |
| 57X9115 | Japanese Font Card |
| 57X9114 | Korean Font Card |
| 57X9112 | Simplified Chinese Font Card |
| 57X9110 | Traditional Chinese Font Card |

| Part # | Application Solutions |
|---------|------------------------------------|
| 38C0512 | CS510 Forms and Bar Code Card |
| 38C0517 | CS510 Card for PRESCRIBE Emulation |

| Part # | Connectivity |
|---------|--|
| 1021294 | USB Cable (2-meter) |
| 27X0130 | Lexmark MarkNet 8352 802.11b/g/n Wireless for CS310, CS410, CS510 Series |

| Part # | Extended Warranties |
|---------|--|
| 2356164 | CS510 2-Years Total (1+1) Exchange Service |
| 2356165 | CS510 3-Years Total (1+2) Exchange Service |
| 2356166 | CS510 4-Years Total (1+3) Exchange Service |
| 2356167 | CS510 5-Years Total (1+4) Exchange Service |
| 2356168 | CS510 1-Year Exchange Service Renewal |
| 2356171 | CS510 Upgrade to Onsite Service |
| 2356172 | CS510 2-Years Total (1+1) Onsite Service |
| 2356173 | CS510 3-Years Total (1+2) Onsite Service |
| 2356174 | CS510 4-Years Total (1+3) Onsite Service |
| 2356175 | CS510 5-Years Total (1+4) Onsite Service |
| 2356176 | CS510 1-Year Onsite Service Renewal |

| Part # | Service Parts |
|---------|---------------------------------|
| 40X7615 | Fuser Maintenance kit, 110-120V |
| 40X7610 | Image Transfer Unit |
| 40X7622 | Fuser, 110-120V |



Lexmark CS510dte

With PANTONE® color matching, workflow solutions, 2-sided printing, more capacity and super-fast speeds, the Lexmark CS510dte is a workhorse winner.

Print Technology

Color Laser

Display

Lexmark e-Task 4.3-inch (10.9 cm) color touch screen

Print Speed (Letter, Black)

Up to 32 ppm

Print Speed (Letter, Color)

Up to 32 ppm

Print Speed (Letter, Black) Duplex

Up to 15 spm

Time to First Page (Black)

As fast as 9 seconds

Time to First Page (Color)

As fast as 10 seconds

Print Resolution, Black

4800 Color Quality (2400 x 600 dpi), 1200 x 1200 dpi

Print Resolution, Color

4800 Color Quality (2400 x 600 dpi), 1200 x 1200 dpi

Processor

Dual Core, 800 MHz

Memory, Standard

512 MB

Memory, Maximum

2560 MB

Hard Disk

Option available

Expandable Memory Options

Yes

Apple Macintosh Operating Systems Supported

Mac OS X (10.5, 10.6, 10.7, 10.8)

Linux Operating Systems Supported

Fedora 14, 15, 16, 17, Linpus Linux Desktop 9.6, SUSE Linux Enterprise Server 10, 11, SUSE Linux Enterprise Desktop 10, 11, Red Flag Linux Desktop 6.0, Debian GNU/Linux 5.0, 6.0, Mint 9, 10, 11, 12, openSUSE 11.3, 11.4, 12.1, Ubuntu 11.04, 11.10, 12.04, Red Hat Enterprise Linux WS 4.0, 5.0, 6.0, PCLinuxOS 2011.9

Microsoft Windows Operating Systems Supported

Server 2012, 8 x64, 8, Windows 7, Server 2008 running Terminal Services, Server 2008, Vista, Server 2003 x64, XP, Server 2003, XP x64, Server 2003 running Terminal Services, Server 2003 x64 running Terminal Services, Vista x64, Server 2008 x64, Server 2008 x64 running Terminal Services, Windows 7 x64, Server 2008 R2, Server 2008 R2 running Terminal Services

Novell Operating Systems Supported

Open Enterprise Server on SUSE Linux Enterprise Server, NetWare 5.1(SP 6+), 6.0(SP 3+) with Novell Distributed Print Services (NDPS), NetWare 6.5 Open Enterprise Server

UNIX Operating Systems Supported

IBM AIX 5.3, 6.1, 7.1, HP-UX 11.11, 11.23, 11.31, Sun Solaris SPARC 9, 10, Sun Solaris x86 10, 11

Included Paper Handling

Single-Sheet Manual Feed, 550-Sheet Duo Tray with 100-Sheet Feeder, Integrated Duplex, 125-Sheet Output Bin, 250-Sheet Input

Optional Paper Handling

550-Sheet Tray

Paper Input Capacity, Standard: Up to

900+1 pages 20 lb or 75 gsm bond

Paper Input Capacity, Maximum: Up to

1450+1 pages 20 lb or 75 gsm bond

Paper Output Capacity, Standard: Up to

125 pages 20 lb or 75 gsm bond

Paper Output Capacity, Maximum: Up to

125 pages 20 lb or 75 gsm bond

Finishing Option

No

Number of Paper Inputs, Standard

3

Number of Paper Inputs, Maximum

4

Media Types Supported

Refer to the Card Stock & Label Guide, Plain Paper, Envelopes, Card Stock, Paper Labels, Transparencies

Media Sizes Supported

Oficio, Universal, Letter, Legal, DL Envelope, B5 Envelope, A4, 7 3/4 Envelope, 10 Envelope, 9 Envelope, A5, C5 Envelope, Executive, Folio, JIS-B5

Standard Ports

Rear USB 2.0 Specification Hi-Speed Certified Port (Type A), USB 2.0 Specification Hi-Speed Certified (Type B), Gigabit Ethernet (10/100/1000), Front USB 2.0 Specification Hi-Speed Certified Port (Type A)

Optional Network Ports

MarkNet N8352 802.11b/g/n Wireless

Network Printing Methods

IPP 1.0, 1.1, 2.0 (Internet Printing Protocol), FTP, TFTP, Direct IP (Port 9100), LPR/LPD, Enhanced IP (Port 9400), ThinPrint .print integration, Telnet

Network Protocol Support

UDP, TCP/IP IPv6, AppleTalk™, TCP, TCP/IP IPv4

Network Security

IPSec, SNMPv3, 802.1x Authentication: MD5, MSCHAPv2, LEAP, PEAP, TLS, TTLS

Printer Languages (Standard)

PDF 1.7 emulation, Microsoft XPS (XML Paper Specification), Direct Image, Personal Printer Data Stream (PPDS), PCL 5c Emulation, PCL 6 Emulation, PostScript 3 Emulation

Laser Cartridge Yields

8,000*-page Black Extra High Yield Cartridge, 4,000*-page Color (CMY) Extra High Yield Cartridges, 4,000*-page Black High Yield Cartridge, 3,000*-page Color (CMY) High Yield Cartridges, 1,000*-page Black and Color (CMYK) Cartridges

Cartridge(s) Shipping with Product

4,000*-page Color (CMY) Extra High Yield Return Program Toner Cartridges, 6,000*-page Black starter Return Program Toner Cartridge

Replacement Cartridges:

Product functions only with replacement cartridges

designed for use in a specific geographical region. See www.lexmark.com/regions for more details.

Packaged Size (mm - H x W x D)

591 x 617 x 527 mm

Size (mm - H x W x D)

437 x 442 x 416 mm

Packaged Size (in. - H x W x D)

23.3 x 24.3 x 20.7 in.

Size (in. - H x W x D)

17.2 x 17.4 x 16.4 in.

Weight (kg)

25.1 kg

Weight (lb.)

55.3 lb.

Noise Level, Idle

16 dBA

Print Noise Level, Operating

50 dBA

Product Warranty

1-Year Exchange Service, Next Business Day

Product Certifications

Energy Star, Blue Angel (RAL-UZ-122), CAN/CSA-C22.2 60950-1, CSA E60825-1, ICES-003 Class B, BSMI Class B, VCCI Class B, US FDA, FCC Class B, UL 60950-1, EN/IEC 60320-1, CE Class B, CB IEC 60950-1, EN 60950-1, EN/IEC 61000-3, EN 55022 Class B, EN 55024, EN/IEC 60825-1, UL/DEMKO GS, AR S, SMA C-tick mark Class B, CCC Class B, CISPR 22 Class B, MIC Mark, EK Mark

Maximum Monthly Duty Cycle

Up to 85000 pages per month

Recommended Monthly Page Volume

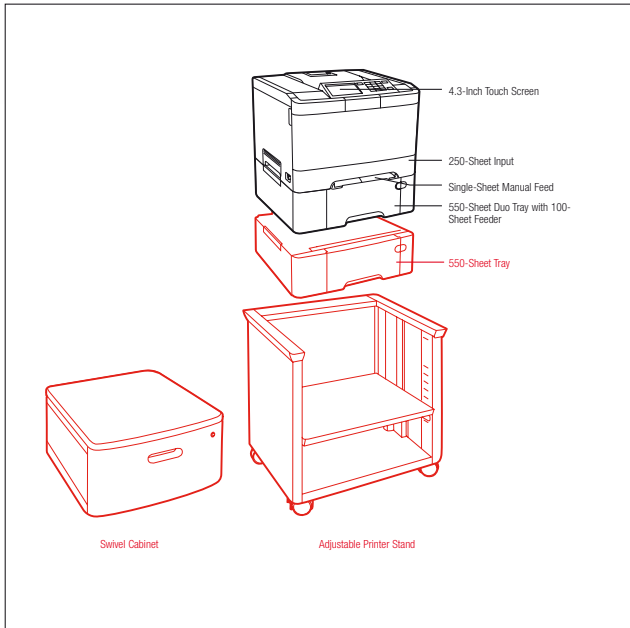
1500 - 7000 pages

Specified Operating Environment

Altitude: 0 - 2896 Meters (9,500 Feet), Humidity: 8 to 80% Relative Humidity, Temperature: 16 to 32°C (60 to 90°F)

License/Agreement Terms

Printers are sold subject to certain license/agreement conditions. See www.lexmark.com/printerlicense for details.



| | |
|---------------|------------------|
| Part # | Model |
| 28E0100 | Lexmark CS510dte |

| Part # | Laser Toner/Print Cartridge |
|---------------|---|
| 70C1XK0 | 701XK Black Extra High Yield Return Program Toner Cartridge |
| 70C1XC0 | 701XC Cyan Extra High Yield Return Program Toner Cartridge |
| 70C1XM0 | 701XM Magenta Extra High Yield Return Program Toner Cartridge |
| 70C1XY0 | 701XY Yellow Extra High Yield Return Program Toner Cartridge |
| 70C1HK0 | 701HK Black High Yield Return Program Toner Cartridge |
| 70C1HC0 | 701HC Cyan High Yield Return Program Toner Cartridge |
| 70C1HM0 | 701HM Magenta High Yield Return Program Toner Cartridge |
| 70C1HY0 | 701HY Yellow High Yield Return Program Toner Cartridge |
| 70C10K0 | 701K Black Return Program Toner Cartridge |
| 70C10C0 | 701C Cyan Return Program Toner Cartridge |
| 70C10M0 | 701M Magenta Return Program Toner Cartridge |
| 70C10Y0 | 701Y Yellow Return Program Toner Cartridge |
| 70C0X10 | 700X1 Black Extra High Yield Toner Cartridge |
| 70C0X20 | 700X2 Cyan Extra High Yield Toner Cartridge |
| 70C0X30 | 700X3 Magenta Extra High Yield Toner Cartridge |
| 70C0X40 | 700X4 Yellow Extra High Yield Toner Cartridge |
| 70C0Z10 | 700Z1 Black Imaging Kit |
| 70C0Z50 | 700Z5 Black and Colour Imaging Kit |
| 70C0P00 | 700P Photoconductor Unit |
| 70C0D10 | 700D1 Black Developer Unit |
| 70C0D20 | 700D2 Cyan Developer Unit |
| 70C0D30 | 700D3 Magenta Developer Unit |
| 70C0D40 | 700D4 Yellow Developer Unit |
| C540X75G | Waste Toner Bottle |

| | |
|---------------|-----------------------|
| Part # | Paper Handling |
| 38C0636 | 550-Sheet Tray |

| | |
|---------------|--------------------------|
| Part # | Furniture |
| 35S8502 | Adjustable Printer Stand |
| 3073173 | Swivel Cabinet |

| | |
|---------------|-------------------------------|
| Part # | Memory Options |
| 57X9016 | 1024Mbx32 DDR3-DRAM |
| 57X9012 | 2048Mbx32 DDR3-DRAM |
| 57X9101 | 256MB Flash Memory Card |
| 27X0200 | 160+ GB Hard Disk |
| 57X9115 | Japanese Font Card |
| 57X9114 | Korean Font Card |
| 57X9112 | Simplified Chinese Font Card |
| 57X9110 | Traditional Chinese Font Card |

| | |
|---------------|------------------------------------|
| Part # | Application Solutions |
| 38C0512 | CS510 Forms and Bar Code Card |
| 38C0517 | CS510 Card for PRESCRIBE Emulation |

| | |
|---------------|---------------------|
| Part # | Connectivity |
| 1021294 | USB Cable (2-meter) |

| | |
|---------|--|
| 27X0130 | Lexmark MarkNet 8352 802.11b/g/n Wireless for CS310, CS410, CS510 Series |
|---------|--|

| Part # | Extended Warranties |
|---------------|--|
| 2356164 | CS510 2-Years Total (1+1) Exchange Service |
| 2356165 | CS510 3-Years Total (1+2) Exchange Service |
| 2356166 | CS510 4-Years Total (1+3) Exchange Service |
| 2356167 | CS510 5-Years Total (1+4) Exchange Service |
| 2356168 | CS510 1-Year Exchange Service Renewal |
| 2356171 | CS510 Upgrade to Onsite Service |
| 2356172 | CS510 2-Years Total (1+1) Onsite Service |
| 2356173 | CS510 3-Years Total (1+2) Onsite Service |
| 2356174 | CS510 4-Years Total (1+3) Onsite Service |
| 2356175 | CS510 5-Years Total (1+4) Onsite Service |
| 2356176 | CS510 1-Year Onsite Service Renewal |

| Part # | Service Parts |
|---------------|---------------------------------|
| 40X7615 | Fuser Maintenance kit, 110-120V |
| 40X7610 | Image Transfer Unit |
| 40X7622 | Fuser, 110-120V |



Lexmark C746n

The Lexmark C746n delivers the easy-to-use features and reliable performance essential to midsize workgroups. Energy-saving features make responsible printing easy.

Print Technology

Color Laser

Function

Color Printing

Display

2.4-inch (6 cm) color LCD display

Print Speed (Letter, Black)

Up to 35 ppm

Print Speed (Letter, Color)

Up to 35 ppm

Print Speed (Letter, Black) Duplex

Up to 23 ppm

Time to First Page (Black)

As fast as 9 seconds

Time to First Page (Color)

As fast as 9 seconds

Print Resolution, Black

4800 Color Quality (2400 x 600 dpi), 1200 x 1200 dpi

Print Resolution, Color

4800 Color Quality (2400 x 600 dpi), 1200 x 1200 dpi

Processor

800 MHz

Memory, Standard

512 MB

Memory, Maximum

1536 MB

Hard Disk

Option available

Expandable Memory Options

Yes

Apple Macintosh Operating Systems Supported

Mac OS X (10.5, 10.6, 10.7)

Linux Operating Systems Supported

PCLinuxOS 2010, Fedora 14, openSUSE 11.2, 11.3, 11.4, Red Hat Linux Desktop 6.0, SUSE Linux Enterprise Server 10, 11, SUSE Linux Enterprise Desktop 10, 11, Linpus Linux Desktop 9.6, Debian GNU/Linux 5.0, 6.0, Mint 9, 10, Ubuntu 11.04, 11.10, 12.04, Red Hat Enterprise Linux WS 4.0, 5.0, 6.0, Ubuntu 9.04 LTS, 10.04, 10.10

Microsoft Windows Operating Systems Supported

Server 2008 R2 running Terminal Services, Server 2008 R2, Windows 7 x64, Server 2008 x64, Vista x64, Server 2003 x64 running Terminal Services, Server 2003 running Terminal Services, Server 2003, XP, XP x64, Server 2003 x64, Vista, Server 2008, Server 2008 running Terminal Services, Server 2008 x64 running Terminal Services, Windows 7

Novell Operating Systems Supported

Open Enterprise Server on SUSE Linux Enterprise Server, NetWare 5.1(SP 6+), 6.0(SP 3+) with Novell Distributed Print Services (NDPS), NetWare 6.5 Open Enterprise Server

UNIX Operating Systems Supported

IBM AIX 5.2, 5.3, 6.1, 7.1, HP-UX 11.11, 11.23, 11.31, Sun Solaris SPARC 8, 9, 10, Sun Solaris x86 10

Paper Handling Standard

550-Sheet Input Tray, 100-Sheet Multipurpose Feeder, 300-Sheet Output Bin

Paper Handling Optional

550-Sheet Specialty Media Drawer, 2,000-Sheet High-Capacity Feeder, 550-Sheet Drawer

Paper Input Capacity, Standard: Up to

650 pages 20 lb or 75 gsm bond

Paper Input Capacity, Maximum: Up to

4300 pages 20 lb or 75 gsm bond

Paper Output Capacity, Standard: Up to

300 pages 20 lb or 75 gsm bond

Paper Output Capacity, Maximum: Up to

300 pages 20 lb or 75 gsm bond

Finishing Option

No

Number of Paper Inputs, Standard

2

Number of Paper Inputs, Maximum

6

Media Types Supported

Refer to the Card Stock & Label Guide, Plain Paper, Envelopes, Card Stock, Paper Labels, Vinyl Labels, Transparencies

Media Sizes Supported

A6, Oficio, Universal, Statement, Folio, B5, C5 Envelope, A5, 9 Envelope, 10 Envelope, 7 3/4 Envelope, A4, B5 Envelope, DL Envelope, Executive, JIS-B5, Legal, Letter

Standard Ports

Ethernet 10/100/1000 BaseTX (RJ-45), Front USB 2.0 Specification Hi-Speed Certified Port (Type A), USB 2.0 Specification Hi-Speed Certified (Type B)

Optional Network Ports

Internal MarkNet™ N8250 802.11b/g/n Wireless

Optional Local Ports

Internal 1284-B Bidirectional Parallel, Internal RS-232C serial

Network Printing Methods

ThinPrint .print integration, LPR/LPD, Direct IP (Port 9100), FTP, TFTP, Enhanced IP (Port 9400), IPP 1.1 (Internet Printing Protocol), HTTP

Network Protocol Support

UDP, TCP, AppleTalk™, TCP/IP IPv4, TCP/IP IPv6

Network Security

IPSec, 802.1x Authentication: MD5, MSCHAPv2, LEAP, PEAP, TLS, TTLS, SNMPv3

Printer Languages (Standard)

Microsoft XPS (XML Paper Specification), PDF 1.6, xHTML, Direct Image, PostScript 3 Emulation, PCL 6 Emulation, PCL 5c Emulation, Personal Printer Data Stream (PPDS)

Supplies Yield

7,000*-page color (CMY) Toner Cartridges, 12,000*-page Black High Yield Toner Cartridge

Cartridge(s) Shipping with Product

6,000*-page color (CMY) Starter Return Program Toner Cartridges, 6,000*-page Black starter Return Program Toner Cartridge

Packaged Size (mm - H x W x D)

545 x 588 x 553 mm

Size (mm - H x W x D)

455 x 435 x 400 mm

Packaged Size (in. - H x W x D)

21.5 x 23.1 x 21.8 in.

Size (in. - H x W x D)

17.9 x 17.1 x 15.7 in.

Size, Trays Extended (mm - H x W x D)

not define mm

Weight (kg)

25.2 kg

Size, Trays Extended (in. - H x W x D)

not define in.

Weight (lb.)

55.6 lb.

Noise Level, Idle

32 dBA

Print Noise Level, Operating

48 dBA

Product Warranty

1-Year Onsite Service, Next Business Day

Product Certifications

Blue Angel (RAL-UZ-122), CAN/CSA-C22.2 60950-1, CSA E60825-1, ICES-003 Class B, BSMI Class B, VCCI Class B, US FDA, FCC Class B, UL 60950-1, EN/IEC 60320-1, CE Class B, CB IEC 60950-1, EN 60950-1, EN/IEC 61000-3, EN 55022 Class B, EN 55024, EN/IEC 60825-1, GS (TÜV), AR S (TÜV), SMA C-tick mark Class B, CCC Class B, CISPR 22 Class B, MIC Mark, EK Mark

Maximum Monthly Duty Cycle

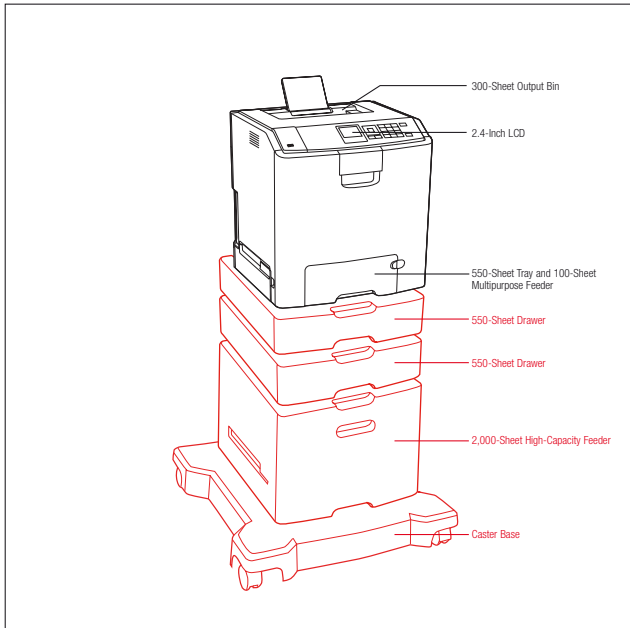
Up to 85000 pages per month

Recommended Monthly Page Volume

1500 - 9200 pages

Specified Operating Environment

Altitude: 0 - 3048 Meters (10,000 Feet), Humidity: 8 to 80% Relative Humidity, Temperature: 16 to 32°C (60 to 90°F)



Standard
 Optional

COLOR LASER

| Part # | Model |
|---------|---------------|
| 41G0000 | Lexmark C746n |

| Part # | Laser Toner/Print Cartridge |
|----------|--|
| C746H1KG | C746, C748 Black High Yield Return Program Toner Cartridge |
| C746A1CG | C746, C748 Cyan Return Program Toner Cartridge |
| C746A1MG | C746, C748 Magenta Return Program Toner Cartridge |
| C746A1YG | C746, C748 Yellow Return Program Toner Cartridge |
| C746H2KG | C746, C748 Black High Yield Toner Cartridge |
| C746A2CG | C746, C748 Cyan Toner Cartridge |
| C746A2MG | C746, C748 Magenta Toner Cartridge |
| C746A2YG | C746, C748 Yellow Toner Cartridge |
| C734X77G | Waste Toner Box |
| C734X20G | Photoconductor Unit |
| C734X24G | Photoconductor Unit, 4-Pack |

| Part # | Paper Handling |
|---------|----------------------------------|
| 27S2100 | 550-Sheet Drawer |
| 27S2400 | 2,000-Sheet High Capacity Feeder |
| 27S2650 | 550-Sheet Specialty Media Drawer |
| 27S2190 | 4.8 inch (12.2 cm) Spacer |

| Part # | Furniture |
|---------|------------------------|
| 3052765 | Swivel Cabinet |
| 34T5114 | C74x, X74x Caster Base |

| Part # | Memory Options |
|---------|-------------------------------|
| 1025041 | 256MB DDR2-DRAM |
| 1025042 | 512MB DDR2-DRAM |
| 1025043 | 1024MB DDR2-DRAM |
| 14F0245 | 256MB Flash Card |
| 27X0014 | 160+ GB Hard Disk |
| 30G0287 | Arabic Font Card |
| 30G0828 | Japanese Font Card |
| 30G0825 | Korean Font Card |
| 30G0826 | Simplified Chinese Font Card |
| 30G0827 | Traditional Chinese Font Card |

| Part # | Application Solutions |
|---------|-----------------------------------|
| 57X9000 | Lexmark PrintCrypton Card |
| 41G0195 | C746 Card for IPDS |
| 41G0196 | C746 Card for PRESCRIBE Emulation |
| 41G0194 | C746 Forms and Bar Code Card |

| Part # | Connectivity |
|---------|---|
| 27X0025 | MarkNet N8250 802.11b/g/n Wireless Print Server |
| 1021294 | USB Cable (2-meter) |
| 14F0000 | Parallel 1284-B Interface Card |
| 1021231 | Parallel Cable (10-foot) |
| 14F0100 | RS-232C Serial Interface Card |

| Part # | Extended Warranties |
|---------|--|
| 2354996 | C746 2-Years Total (1+1) Onsite Service, Next Business Day |
| 2354997 | C746 3-Years Total (1+2) Onsite Service, Next Business Day |
| 2354998 | C746 4-Years Total (1+3) Onsite Service, Next Business Day |
| 2354999 | C746 5-Years Total (1+4) Onsite Service, Next Business Day |
| 2355000 | C746 1-Year Onsite Service Renewal, Next Business Day |

| Part # | User Replaceable Parts |
|---------|---------------------------------------|
| 40X8110 | C74x, X74x Fuser Maintenance 110-120V |
| 40X5168 | Pick Tire |
| 40X5152 | Pick Tire, Specialty Media Drawer |
| 40X6401 | Transfer Belt Maintenance Kit |

| Part # | Installation Service |
|---------|----------------------------------|
| 2355003 | C746 Install, De-Install Service |



Lexmark C746dn

The Lexmark C746dn delivers the easy-to-use features and reliable performance essential to midsize workgroups. Energy-saving features make responsible printing easy.

Print Technology

Color Laser

Function

Color Printing

Display

2.4-inch (6 cm) color LCD display

Print Speed (Letter, Black)

Up to 35 ppm

Print Speed (Letter, Color)

Up to 35 ppm

Print Speed (Letter, Black) Duplex

Up to 23 ppm

Time to First Page (Black)

As fast as 9 seconds

Time to First Page (Color)

As fast as 9 seconds

Print Resolution, Black

4800 Color Quality (2400 x 600 dpi), 1200 x 1200 dpi

Print Resolution, Color

4800 Color Quality (2400 x 600 dpi), 1200 x 1200 dpi

Processor

800 MHz

Memory, Standard

512 MB

Memory, Maximum

1536 MB

Hard Disk

Option available

Expandable Memory Options

Yes

Apple Macintosh Operating Systems Supported

Mac OS X (10.5, 10.6, 10.7)

Linux Operating Systems Supported

PCLinuxOS 2010, Fedora 14, openSUSE 11.2, 11.3, 11.4, Red Hat Linux Desktop 6.0, SUSE Linux Enterprise Server 10, 11, SUSE Linux Enterprise Desktop 10, 11, Linpus Linux Desktop 9.6, Debian GNU/Linux 5.0, 6.0, Mint 9, 10, Ubuntu 11.04, 11.10, 12.04, Red Hat Enterprise Linux WS 4.0, 5.0, 6.0, Ubuntu 9.04 LTS, 10.04, 10.10

Microsoft Windows Operating Systems Supported

Server 2008 R2 running Terminal Services, Server 2008 R2, Windows 7 x64, Server 2008 x64, Vista x64, Server 2003 x64 running Terminal Services, Server 2003 running Terminal Services, Server 2003, XP, XP x64, Server 2003 x64, Vista, Server 2008, Server 2008 running Terminal Services, Server 2008 x64 running Terminal Services, Windows 7

Novell Operating Systems Supported

Open Enterprise Server on SUSE Linux Enterprise Server, NetWare 5.1 (SP 6+), 6.0 (SP 3+) with Novell Distributed Print Services (NDPS), NetWare 6.5 Open Enterprise Server

UNIX Operating Systems Supported

IBM AIX 5.2, 5.3, 6.1, 7.1, HP-UX 11.11, 11.23, 11.31, Sun Solaris SPARC 8, 9, 10, Sun Solaris x86 10

Paper Handling Standard

550-Sheet Input Tray, 100-Sheet Multipurpose Feeder, 300-Sheet Output Bin, Integrated Duplex

Paper Handling Optional

550-Sheet Specialty Media Drawer, 2,000-Sheet High-Capacity Feeder, 550-Sheet Drawer

Paper Input Capacity, Standard: Up to

650 pages 20 lb or 75 gsm bond

Paper Input Capacity, Maximum: Up to

4300 pages 20 lb or 75 gsm bond

Paper Output Capacity, Standard: Up to

300 pages 20 lb or 75 gsm bond

Paper Output Capacity, Maximum: Up to

300 pages 20 lb or 75 gsm bond

Finishing Option

No

Number of Paper Inputs, Standard

2

Number of Paper Inputs, Maximum

6

Media Types Supported

Refer to the Card Stock & Label Guide, Plain Paper, Envelopes, Card Stock, Paper Labels, Vinyl Labels, Transparencies

Media Sizes Supported

A6, Oficio, Universal, Statement, Folio, B5, C5 Envelope, A5, 9 Envelope, 10 Envelope, 7 3/4 Envelope, A4, B5 Envelope, DL Envelope, Executive, JIS-B5, Legal, Letter

Standard Ports

Ethernet 10/100/1000 BaseTX (RJ-45), Front USB 2.0 Specification Hi-Speed Certified Port (Type A), USB 2.0 Specification Hi-Speed Certified (Type B)

Optional Network Ports

Internal MarkNet™ N8250 802.11b/g/n Wireless

Optional Local Ports

Internal 1284-B Bidirectional Parallel, Internal RS-232C serial

Network Printing Methods

ThinPrint .print integration, LPR/LPD, Direct IP (Port 9100), FTP, TFTP, Enhanced IP (Port 9400), IPP 1.1 (Internet Printing Protocol), HTTP

Network Protocol Support

UDP, TCP, AppleTalk™, TCP/IP IPv4, TCP/IP IPv6

Network Security

IPSec, 802.1x Authentication: MD5, MSCHAPv2, LEAP, PEAP, TLS, TTLS, SNMPv3

Printer Languages (Standard)

Microsoft XPS (XML Paper Specification), PDF 1.6, xHTML, Direct Image, PostScript 3 Emulation, PCL 6 Emulation, PCL 5c Emulation, Personal Printer Data Stream (PPDS)

Supplies Yield

7,000*-page color (CMY) Toner Cartridges, 12,000*-page Black High Yield Toner Cartridge

Cartridge(s) Shipping with Product

6,000*-page color (CMY) Starter Return Program Toner Cartridges, 6,000*-page Black starter Return Program Toner Cartridge

Packaged Size (mm - H x W x D)

545 x 588 x 553 mm

Size (mm - H x W x D)

455 x 435 x 400 mm

Packaged Size (in. - H x W x D)

21.5 x 23.1 x 21.8 in.

Size (in. - H x W x D)

17.9 x 17.1 x 15.7 in.

Size, Trays Extended (mm - H x W x D)

not define mm

Weight (kg)

25.2 kg

Size, Trays Extended (in. - H x W x D)

not define in.

Weight (lb.)

55.6 lb.

Noise Level, Idle

32 dBA

Print Noise Level, Operating

48 dBA

Product Warranty

1-Year Onsite Service, Next Business Day

Product Certifications

Energy Star, Blue Angel (RAL-UZ-122), CAN/CSA-C22.2 60950-1, CSA E60825-1, ICES-003 Class B, BSMI Class B, VCCI Class B, US FDA, FCC Class B, UL 60950-1, EN/IEC 60320-1, CE Class B, CB IEC 60950-1, EN 60950-1, EN/IEC 61000-3, EN 55022 Class B, EN 55024, EN/IEC 60825-1, GS (TÜV), AR S (TÜV), SMA C-tick mark Class B, CCC Class B, CISPR 22 Class B, MIC Mark, EK Mark

Maximum Monthly Duty Cycle

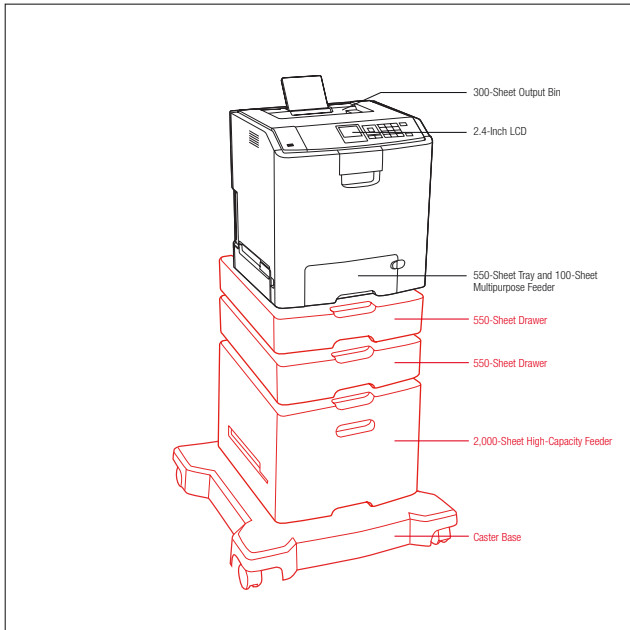
Up to 85000 pages per month

Recommended Monthly Page Volume

1500 - 9200 pages

Specified Operating Environment

Altitude: 0 - 3048 Meters (10,000 Feet), Humidity: 8 to 80% Relative Humidity, Temperature: 16 to 32°C (60 to 90°F)



Standard
 Optional

COLOR LASER

| Part # | Model |
|---------|----------------|
| 41G0050 | Lexmark C746dn |

| Part # | Laser Toner/Print Cartridge |
|----------|--|
| C746H1KG | C746, C748 Black High Yield Return Program Toner Cartridge |
| C746A1CG | C746, C748 Cyan Return Program Toner Cartridge |
| C746A1MG | C746, C748 Magenta Return Program Toner Cartridge |
| C746A1YG | C746, C748 Yellow Return Program Toner Cartridge |
| C746H2KG | C746, C748 Black High Yield Toner Cartridge |
| C746A2CG | C746, C748 Cyan Toner Cartridge |
| C746A2MG | C746, C748 Magenta Toner Cartridge |
| C746A2YG | C746, C748 Yellow Toner Cartridge |
| C734X77G | Waste Toner Box |
| C734X20G | Photoconductor Unit |
| C734X24G | Photoconductor Unit, 4-Pack |

| Part # | Paper Handling |
|---------|----------------------------------|
| 27S2100 | 550-Sheet Drawer |
| 27S2400 | 2,000-Sheet High Capacity Feeder |
| 27S2650 | 550-Sheet Specialty Media Drawer |
| 27S2190 | 4.8 inch (12.2 cm) Spacer |

| Part # | Furniture |
|---------|------------------------|
| 3052765 | Swivel Cabinet |
| 34T5114 | C74x, X74x Caster Base |

| Part # | Memory Options |
|---------|-------------------------------|
| 1025041 | 256MB DDR2-DRAM |
| 1025042 | 512MB DDR2-DRAM |
| 1025043 | 1024MB DDR2-DRAM |
| 14F0245 | 256MB Flash Card |
| 27X0014 | 160+ GB Hard Disk |
| 30G0287 | Arabic Font Card |
| 30G0828 | Japanese Font Card |
| 30G0825 | Korean Font Card |
| 30G0826 | Simplified Chinese Font Card |
| 30G0827 | Traditional Chinese Font Card |

| Part # | Application Solutions |
|---------|-----------------------------------|
| 57X9000 | Lexmark PrintCrypton Card |
| 41G0195 | C746 Card for IPDS |
| 41G0196 | C746 Card for PRESCRIBE Emulation |
| 41G0194 | C746 Forms and Bar Code Card |

| Part # | Connectivity |
|---------|---|
| 27X0025 | MarkNet N8250 802.11b/g/n Wireless Print Server |
| 1021294 | USB Cable (2-meter) |
| 14F0000 | Parallel 1284-B Interface Card |
| 1021231 | Parallel Cable (10-foot) |
| 14F0100 | RS-232C Serial Interface Card |

| Part # | Extended Warranties |
|---------|--|
| 2354996 | C746 2-Years Total (1+1) Onsite Service, Next Business Day |
| 2354997 | C746 3-Years Total (1+2) Onsite Service, Next Business Day |
| 2354998 | C746 4-Years Total (1+3) Onsite Service, Next Business Day |
| 2354999 | C746 5-Years Total (1+4) Onsite Service, Next Business Day |
| 2355000 | C746 1-Year Onsite Service Renewal, Next Business Day |

| Part # | User Replaceable Parts |
|---------|---------------------------------------|
| 40X8110 | C74x, X74x Fuser Maintenance 110-120V |
| 40X5168 | Pick Tire |
| 40X5152 | Pick Tire, Specialty Media Drawer |
| 40X6401 | Transfer Belt Maintenance Kit |

| Part # | Installation Service |
|---------|----------------------------------|
| 2355003 | C746 Install, De-Install Service |



Lexmark C746dtn

The Lexmark C746dtn delivers the easy-to-use features and reliable performance essential to midsize workgroups. Energy-saving features make responsible printing easy.

Print Technology

Color Laser

Function

Color Printing

Display

2.4-inch (6 cm) color LCD display

Print Speed (Letter, Black)

Up to 35 ppm

Print Speed (Letter, Color)

Up to 35 ppm

Print Speed (Letter, Black) Duplex

Up to 23 ppm

Time to First Page (Black)

As fast as 9 seconds

Time to First Page (Color)

As fast as 9 seconds

Print Resolution, Black

4800 Color Quality (2400 x 600 dpi), 1200 x 1200 dpi

Print Resolution, Color

4800 Color Quality (2400 x 600 dpi), 1200 x 1200 dpi

Processor

800 MHz

Memory, Standard

512 MB

Memory, Maximum

1536 MB

Hard Disk

Option available

Expandable Memory Options

Yes

Apple Macintosh Operating Systems Supported

Mac OS X (10.5, 10.6, 10.7)

Linux Operating Systems Supported

PCLinuxOS 2010, Fedora 14, openSUSE 11.2, 11.3, 11.4, Red Hat Linux Desktop 6.0, SUSE Linux Enterprise Server 10, 11, SUSE Linux Enterprise Desktop 10, 11, Linpus Linux Desktop 9.6, Debian GNU/Linux 5.0, 6.0, Mint 9, 10, Ubuntu 11.04, 11.10, 12.04, Red Hat Enterprise Linux WS 4.0, 5.0, 6.0, Ubuntu 9.04 LTS, 10.04, 10.10

Microsoft Windows Operating Systems Supported

Server 2008 R2 running Terminal Services, Server 2008 R2, Windows 7 x64, Server 2008 x64, Vista x64, Server 2003 x64 running Terminal Services, Server 2003 running Terminal Services, Server 2003, XP, XP x64, Server 2003 x64, Vista, Server 2008, Server 2008 running Terminal Services, Server 2008 x64 running Terminal Services, Windows 7

Novell Operating Systems Supported

Open Enterprise Server on SUSE Linux Enterprise Server, NetWare 5.1 (SP 6+), 6.0 (SP 3+) with Novell Distributed Print Services (NDPS), NetWare 6.5 Open Enterprise Server

UNIX Operating Systems Supported

IBM AIX 5.2, 5.3, 6.1, 7.1, HP-UX 11.11, 11.23, 11.31, Sun Solaris SPARC 8, 9, 10, Sun Solaris x86 10

Paper Handling Standard

550-Sheet Input Tray, 300-Sheet Output Bin, 550-Sheet Drawer, Integrated Duplex, 100-Sheet Multipurpose Feeder

Paper Handling Optional

550-Sheet Specialty Media Drawer, 550-Sheet Drawer, 2,000-Sheet High-Capacity Feeder

Paper Input Capacity, Standard: Up to

1200 pages 20 lb or 75 gsm bond

Paper Input Capacity, Maximum: Up to

4300 pages 20 lb or 75 gsm bond

Paper Output Capacity, Standard: Up to

300 pages 20 lb or 75 gsm bond

Paper Output Capacity, Maximum: Up to

300 pages 20 lb or 75 gsm bond

Finishing Option

No

Number of Paper Inputs, Standard

3

Number of Paper Inputs, Maximum

6

Media Types Supported

Refer to the Card Stock & Label Guide, Plain Paper, Envelopes, Card Stock, Paper Labels, Vinyl Labels, Transparencies

Media Sizes Supported

A6, Oficio, Universal, Statement, Folio, B5, C5 Envelope, A5, 9 Envelope, 10 Envelope, 7 3/4 Envelope, A4, B5 Envelope, DL Envelope, Executive, JIS-B5, Legal, Letter

Standard Ports

Ethernet 10/100/1000 BaseTX (RJ-45), Front USB 2.0 Specification Hi-Speed Certified Port (Type A), USB 2.0 Specification Hi-Speed Certified (Type B)

Optional Network Ports

Internal MarkNet™ N8250 802.11b/g/n Wireless

Optional Local Ports

Internal 1284-B Bidirectional Parallel, Internal RS-232C serial

Network Printing Methods

ThinPrint .print integration, LPR/LPD, Direct IP (Port 9100), FTP, TFTP, Enhanced IP (Port 9400), IPP 1.1 (Internet Printing Protocol), HTTP

Network Protocol Support

UDP, TCP, AppleTalk™, TCP/IP IPv4, TCP/IP IPv6

Network Security

IPSec, 802.1x Authentication: MD5, MSCHAPv2, LEAP, PEAP, TLS, TTLS, SNMPv3

Printer Languages (Standard)

Microsoft XPS (XML Paper Specification), PDF 1.6, xHTML, Direct Image, PostScript 3 Emulation, PCL 6 Emulation, PCL 5c Emulation, Personal Printer Data Stream (PPDS)

Supplies Yield

7,000*-page color (CMY) Toner Cartridges, 12,000*-page Black High Yield Toner Cartridge

Cartridge(s) Shipping with Product

6,000*-page color (CMY) Starter Return Program Toner Cartridges, 6,000*-page Black starter Return Program Toner Cartridge

Packaged Size (mm - H x W x D)

760 x 595 x 553 mm

Size (mm - H x W x D)

582 x 435 x 545 mm

Packaged Size (in. - H x W x D)

29.9 x 23.4 x 21.8 in.

Size (in. - H x W x D)

22.9 x 17.1 x 21.5 in.

Size, Trays Extended (mm - H x W x D)

not define mm

Weight (kg)

29.7 kg

Size, Trays Extended (in. - H x W x D)

not define in.

Weight (lb.)

65.5 lb.

Noise Level, Idle

32 dBA

Print Noise Level, Operating

54 dBA

Product Warranty

1-Year Onsite Service, Next Business Day

Product Certifications

Energy Star, Blue Angel (RAL-UZ-122), CAN/CSA-C22.2 60950-1, CSA E60825-1, ICES-003 Class B, BSMI Class B, VCCI Class B, US FDA, FCC Class B, UL 60950-1, EN/IEC 60320-1, CE Class B, CB IEC 60950-1, EN 60950-1, EN/IEC 61000-3, EN 55022 Class B, EN 55024, EN/IEC 60825-1, GS (TUV), AR S (TUV), SMA C-tick mark Class B, CCC Class B, CISPR 22 Class B, MIC Mark, EK Mark

Maximum Monthly Duty Cycle

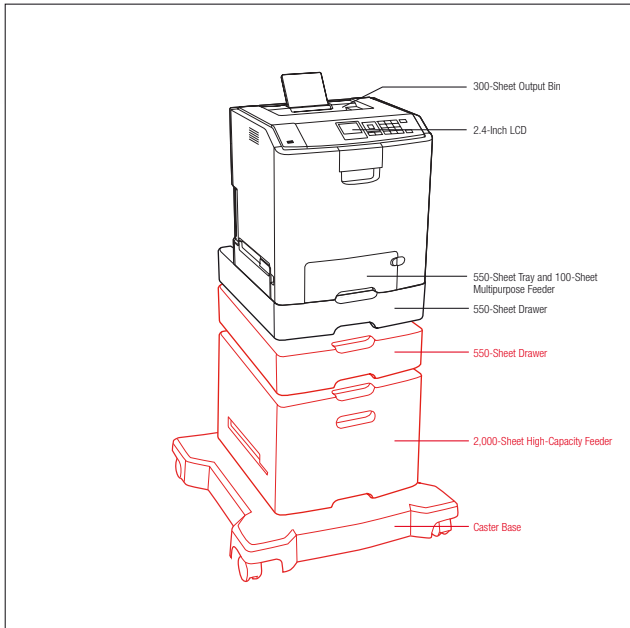
Up to 85000 pages per month

Recommended Monthly Page Volume

1500 - 9200 pages

Specified Operating Environment

Altitude: 0 - 3048 Meters (10,000 Feet), Humidity: 8 to 80% Relative Humidity, Temperature: 16 to 32°C (60 to 90°F)



Standard
 Optional

COLOR LASER

| Part # | Model |
|---------|-----------------|
| 41G0100 | Lexmark C746dtn |

| Part # | Laser Toner/Print Cartridge |
|----------|--|
| C746H1KG | C746, C748 Black High Yield Return Program Toner Cartridge |
| C746A1CG | C746, C748 Cyan Return Program Toner Cartridge |
| C746A1MG | C746, C748 Magenta Return Program Toner Cartridge |
| C746A1YG | C746, C748 Yellow Return Program Toner Cartridge |
| C746H2KG | C746, C748 Black High Yield Toner Cartridge |
| C746A2CG | C746, C748 Cyan Toner Cartridge |
| C746A2MG | C746, C748 Magenta Toner Cartridge |
| C746A2YG | C746, C748 Yellow Toner Cartridge |
| C734X77G | Waste Toner Box |
| C734X20G | Photoconductor Unit |
| C734X24G | Photoconductor Unit, 4-Pack |

| Part # | Paper Handling |
|---------|----------------------------------|
| 27S2100 | 550-Sheet Drawer |
| 27S2400 | 2,000-Sheet High Capacity Feeder |
| 27S2650 | 550-Sheet Specialty Media Drawer |
| 27S2190 | 4.8 inch (12.2 cm) Spacer |

| Part # | Furniture |
|---------|------------------------|
| 3052765 | Swivel Cabinet |
| 34T5114 | C74x, X74x Caster Base |

| Part # | Memory Options |
|---------|-------------------------------|
| 1025041 | 256MB DDR2-DRAM |
| 1025042 | 512MB DDR2-DRAM |
| 1025043 | 1024MB DDR2-DRAM |
| 14F0245 | 256MB Flash Card |
| 27X0014 | 160+ GB Hard Disk |
| 30G0287 | Arabic Font Card |
| 30G0828 | Japanese Font Card |
| 30G0825 | Korean Font Card |
| 30G0826 | Simplified Chinese Font Card |
| 30G0827 | Traditional Chinese Font Card |

| Part # | Application Solutions |
|---------|-----------------------------------|
| 57X9000 | Lexmark PrintCrypton Card |
| 41G0195 | C746 Card for IPDS |
| 41G0196 | C746 Card for PRESCRIBE Emulation |
| 41G0194 | C746 Forms and Bar Code Card |

| Part # | Connectivity |
|---------|---|
| 27X0025 | MarkNet N8250 802.11b/g/n Wireless Print Server |
| 1021294 | USB Cable (2-meter) |
| 14F0000 | Parallel 1284-B Interface Card |
| 1021231 | Parallel Cable (10-foot) |
| 14F0100 | RS-232C Serial Interface Card |

| Part # | Extended Warranties |
|---------|--|
| 2354996 | C746 2-Years Total (1+1) Onsite Service, Next Business Day |
| 2354997 | C746 3-Years Total (1+2) Onsite Service, Next Business Day |
| 2354998 | C746 4-Years Total (1+3) Onsite Service, Next Business Day |
| 2354999 | C746 5-Years Total (1+4) Onsite Service, Next Business Day |
| 2355000 | C746 1-Year Onsite Service Renewal, Next Business Day |

| Part # | User Replaceable Parts |
|---------|---------------------------------------|
| 40X8110 | C74x, X74x Fuser Maintenance 110-120V |
| 40X5168 | Pick Tire |
| 40X5152 | Pick Tire, Specialty Media Drawer |
| 40X6401 | Transfer Belt Maintenance Kit |

| Part # | Installation Service |
|---------|----------------------------------|
| 2355003 | C746 Install, De-Install Service |



Lexmark C748e

The Lexmark C748e delivers high-quality color printing and reliable performance. Easy-to-use features and solutions increase efficiency. Eco-friendly features make responsible printing easy.

Print Technology

Color Laser

Function

Color Printing

Display

Lexmark e-Task 4.3-inch (10.9 cm) color touch screen

Print Speed (Letter, Black)

Up to 35 ppm

Print Speed (Letter, Color)

Up to 35 ppm

Print Speed (Letter, Black) Duplex

Up to 23 ppm

Time to First Page (Black)

As fast as 9 seconds

Time to First Page (Color)

As fast as 9 seconds

Print Resolution, Black

4800 Color Quality (2400 x 600 dpi), 1200 x 1200 dpi

Print Resolution, Color

4800 Color Quality (2400 x 600 dpi), 1200 x 1200 dpi

Processor

800 MHz

Memory, Standard

512 MB

Memory, Maximum

1536 MB

Hard Disk

Option available

Expandable Memory Options

Yes

Apple Macintosh Operating Systems Supported

Mac OS X (10.5, 10.6, 10.7)

Linux Operating Systems Supported

PCLinuxOS 2010, Fedora 14, openSUSE 11.2, 11.3, 11.4, Red Flag Linux Desktop 6.0, SUSE Linux Enterprise Server 10, 11, SUSE Linux Enterprise Desktop 10, 11, Linpus Linux Desktop 9.6, Debian GNU/Linux 5.0, 6.0, Mint 9, 10, Ubuntu 11.04, 11.10, 12.04, Red Hat Enterprise Linux WS 4.0, 5.0, 6.0, Ubuntu 9.04 LTS, 10.04, 10.10

Microsoft Windows Operating Systems Supported

Server 2008 R2 running Terminal Services, Server 2008 R2, Windows 7 x64, Server 2008 x64, Vista x64, Server 2003 x64 running Terminal Services, Server 2003 running Terminal Services, Server 2003, XP, XP x64, Server 2003 x64, Vista, Server 2008, Server 2008 running Terminal Services, Server 2008 x64 running Terminal Services, Windows 7

Novell Operating Systems Supported

Open Enterprise Server on SUSE Linux Enterprise Server, NetWare 5.1 (SP 6+), 6.0 (SP 3+) with Novell Distributed Print Services (NDPS), NetWare 6.5 Open Enterprise Server UNIX Operating Systems Supported

IBM AIX 5.2, 5.3, 6.1, 7.1, HP-UX 11.11, 11.23, 11.31, Sun Solaris SPARC 8, 9, 10, Sun Solaris x86 10

Paper Handling Standard

550-Sheet Input Tray, 100-Sheet Multipurpose Feeder, 300-Sheet Output Bin

Paper Handling Optional

550-Sheet Specialty Media Drawer, 2,000-Sheet High-Capacity Feeder, 550-Sheet Drawer

Paper Input Capacity, Standard: Up to

650 pages 20 lb or 75 gsm bond

Paper Input Capacity, Maximum: Up to

4300 pages 20 lb or 75 gsm bond

Paper Output Capacity, Standard: Up to

300 pages 20 lb or 75 gsm bond

Paper Output Capacity, Maximum: Up to

300 pages 20 lb or 75 gsm bond

Finishing Option

No

Number of Paper Inputs, Standard

2

Number of Paper Inputs, Maximum

6

Media Types Supported

Refer to the Card Stock & Label Guide, Plain Paper, Envelopes, Card Stock, Paper Labels, Vinyl Labels, Transparencies

Media Sizes Supported

A6, Oficio, Universal, Statement, Folio, B5, C5 Envelope, A5, 9 Envelope, 10 Envelope, 7 3/4 Envelope, A4, B5 Envelope, DL Envelope, Executive, JIS-B5, Legal, Letter

Standard Ports

Ethernet 10/100/1000 BaseTX (RJ-45), Front USB 2.0 Specification Hi-Speed Certified Port (Type A), USB 2.0 Specification Hi-Speed Certified (Type B), Rear USB 2.0 Specification Hi-Speed Certified Port (Type A)

Optional Network Ports

Internal MarkNet™ N8250 802.11b/g/n Wireless

Optional Local Ports

Internal 1284-B Bidirectional Parallel, Internal RS-232C serial

Network Printing Methods

ThinPrint .print integration, FTP, TFTP, IPP 1.1 (Internet Printing Protocol), Enhanced IP (Port 9400), Direct IP (Port 9100), LPR/LPD, HTTP

Network Protocol Support

UDP, TCP/IP IPv6, TCP/IP IPv4, AppleTalk™, TCP

Network Security

IPSec, 802.1x Authentication: MD5, MSCHAPv2, LEAP, PEAP, TLS, TTLS, SNMPv3

Printer Languages (Standard)

Microsoft XPS (XML Paper Specification), Direct Image, xHTML, Personal Printer Data Stream (PPDS), PCL 5c Emulation, PCL 6 Emulation, PostScript 3 Emulation, PDF 1.6

Supplies Yield

7,000*-page color (CMY) Toner Cartridges, 10,000*-page color High Yield Toner Cartridges (CMY), 12,000*-page Black High Yield Toner Cartridge

Cartridge(s) Shipping with Product

12,000*-page Black High Yield Return Program Toner

Cartridge, 10,000*-page color (CMY) High Yield Return Program Toner Cartridges

Packaged Size (mm - H x W x D)

545 x 588 x 553 mm

Size (mm - H x W x D)

455 x 435 x 400 mm

Packaged Size (in. - H x W x D)

21.5 x 23.1 x 21.8 in.

Size (in. - H x W x D)

17.9 x 17.1 x 15.7 in.

Size, Trays Extended (mm - H x W x D)

not define mm

Weight (kg)

25.6 kg

Size, Trays Extended (in. - H x W x D)

not define in.

Weight (lb.)

56.4 lb.

Noise Level, Idle

32 dBA

Print Noise Level, Operating

55 dBA

Product Warranty

1-Year Onsite Service, Next Business Day

Product Certifications

CAN/CSA-C22.2 60950-1, CSA E60825-1, ICES-003 Class B, BSMI Class B, VCCI Class B, US FDA, FCC Class B, UL 60950-1, ENIEC 60320-1, CE Class B, CB IEC 60950-1, EN 60950-1, ENIEC 61000-3, EN 55022 Class B, EN 55024, ENIEC 60825-1, GS (TUV), AR S (TUV), SMA C-tick mark Class B, CCC Class B, CISPIR 22 Class B, MIC Mark, EK Mark

Maximum Monthly Duty Cycle

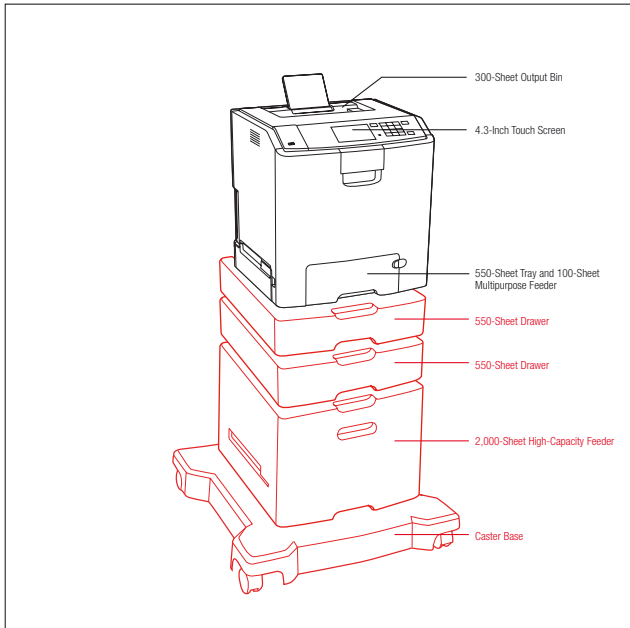
Up to 100,000 pages per month

Recommended Monthly Page Volume

2,500 - 10,000 pages

Specified Operating Environment

Altitude: 0 - 3048 Meters (10,000 Feet), Temperature: 16 to 32°C (60 to 90°F), Humidity: 8 to 80% Relative Humidity



Standard
 Optional

COLOR LASER

| Part # | Model |
|---------|---------------|
| 41H0000 | Lexmark C748e |

| Part # | Laser Toner/Print Cartridge |
|----------|--|
| C746H1KG | C746, C748 Black High Yield Return Program Toner Cartridge |
| C748H1CG | C748 Cyan High Yield Return Program Toner Cartridge |
| C748H1MG | C748 Magenta High Yield Return Program Toner Cartridge |
| C748H1YG | C748 Yellow High Yield Return Program Toner Cartridge |
| C746A1CG | C746, C748 Cyan Return Program Toner Cartridge |
| C746A1MG | C746, C748 Magenta Return Program Toner Cartridge |
| C746A1YG | C746, C748 Yellow Return Program Toner Cartridge |
| C746H2KG | C746, C748 Black High Yield Toner Cartridge |
| C748H2CG | C748 Cyan High Yield Toner Cartridge |
| C748H2MG | C748 Magenta High Yield Toner Cartridge |
| C748H2YG | C748 Yellow High Yield Toner Cartridge |
| C746A2CG | C746, C748 Cyan Toner Cartridge |
| C746A2MG | C746, C748 Magenta Toner Cartridge |
| C746A2YG | C746, C748 Yellow Toner Cartridge |
| C734X77G | Waste Toner Box |
| C734X20G | Photoconductor Unit |
| C734X24G | Photoconductor Unit, 4-Pack |

| Part # | Paper Handling |
|---------|----------------------------------|
| 27S2100 | 550-Sheet Drawer |
| 27S2400 | 2,000-Sheet High Capacity Feeder |
| 27S2650 | 550-Sheet Specialty Media Drawer |
| 27S2190 | 4.8 inch (12.2 cm) Spacer |

| Part # | Furniture |
|---------|------------------------|
| 3052765 | Swivel Cabinet |
| 34T5114 | C74x, X74x Caster Base |

| Part # | Memory Options |
|---------|-------------------------------|
| 1025041 | 256MB DDR2-DRAM |
| 1025042 | 512MB DDR2-DRAM |
| 1025043 | 1024MB DDR2-DRAM |
| 14F0245 | 256MB Flash Card |
| 27X0014 | 160+ GB Hard Disk |
| 30G0287 | Arabic Font Card |
| 30G0828 | Japanese Font Card |
| 30G0825 | Korean Font Card |
| 30G0826 | Simplified Chinese Font Card |
| 30G0827 | Traditional Chinese Font Card |

| Part # | Application Solutions |
|---------|-----------------------------------|
| 57X9000 | Lexmark PrintCrypton Card |
| 41H0198 | C748 Card for IPDS |
| 41H0199 | C748 Card for PRESCRIBE Emulation |
| 41H0197 | C748 Forms and Bar Code Card |

| Part # | Connectivity |
|---------|---|
| 27X0025 | MarkNet N8250 802.11b/g/n Wireless Print Server |

| | |
|---------|--------------------------------|
| 1021294 | USB Cable (2-meter) |
| 14F0000 | Parallel 1284-B Interface Card |
| 1021231 | Parallel Cable (10-foot) |
| 14F0100 | RS-232C Serial Interface Card |

| Part # | Extended Warranties |
|---------|--|
| 2355024 | C748 2-Years Total (1+1) Onsite Service, Next Business Day |
| 2355025 | C748 3-Years Total (1+2) Onsite Service, Next Business Day |
| 2355026 | C748 4-Years Total (1+3) Onsite Service, Next Business Day |
| 2355027 | C748 5-Years Total (1+4) Onsite Service, Next Business Day |
| 2355028 | C748 1-Year Onsite Service Renewal, Next Business Day |

| Part # | User Replaceable Parts |
|---------|---------------------------------------|
| 40X5168 | Pick Tire |
| 40X5152 | Pick Tire, Specialty Media Drawer |
| 40X8110 | C74x, X74x Fuser Maintenance 110-120V |
| 40X6401 | Transfer Belt Maintenance Kit |

| Part # | Installation Service |
|---------|----------------------------------|
| 2355031 | C748 Install, De-Install Service |



Lexmark C748de

The Lexmark C748de delivers high-quality color printing and reliable performance. Easy-to-use features and solutions increase efficiency. Energy-saving features make responsible printing easy.

Print Technology

Color Laser

Function

Color Printing

Display

Lexmark e-Task 4.3-inch (10.9 cm) color touch screen

Print Speed (Letter, Black)

Up to 35 ppm

Print Speed (Letter, Color)

Up to 35 ppm

Print Speed (Letter, Black) Duplex

Up to 23 ppm

Time to First Page (Black)

As fast as 9 seconds

Time to First Page (Color)

As fast as 9 seconds

Print Resolution, Black

4800 Color Quality (2400 x 600 dpi), 1200 x 1200 dpi

Print Resolution, Color

4800 Color Quality (2400 x 600 dpi), 1200 x 1200 dpi

Processor

800 MHz

Memory, Standard

512 MB

Memory, Maximum

1536 MB

Hard Disk

Option available

Expandable Memory Options

Yes

Apple Macintosh Operating Systems Supported

Mac OS X (10.5, 10.6, 10.7)

Linux Operating Systems Supported

PCLinuxOS 2010, Fedora 14, openSUSE 11.2, 11.3, 11.4, Red Flag Linux Desktop 6.0, SUSE Linux Enterprise Server 10, 11, SUSE Linux Enterprise Desktop 10, 11, Linpus Linux Desktop 9.6, Debian GNU/Linux 5.0, 6.0, Mint 9, 10, Ubuntu 11.04, 11.10, 12.04, Red Hat Enterprise Linux WS 4.0, 5.0, 6.0, Ubuntu 9.04 LTS, 10.04, 10.10

Microsoft Windows Operating Systems Supported

Server 2008 R2 running Terminal Services, Server 2008 R2, Windows 7 x64, Server 2008 x64, Vista x64, Server 2003 x64 running Terminal Services, Server 2003 running Terminal Services, Server 2003, XP, XP x64, Server 2003 x64, Vista, Server 2008, Server 2008 running Terminal Services, Server 2008 x64 running Terminal Services, Windows 7

Novell Operating Systems Supported

Open Enterprise Server on SUSE Linux Enterprise Server, NetWare 5.1(SP 6+), 6.0(SP 3+) with Novell Distributed Print Services (NDPS), NetWare 6.5 Open Enterprise Server UNIX Operating Systems Supported

IBM AIX 5.2, 5.3, 6.1, 7.1, HP-UX 11.11, 11.23, 11.31, Sun Solaris SPARC 8, 9, 10, Sun Solaris x86 10

Paper Handling Standard

550-Sheet Input Tray, 100-Sheet Multipurpose Feeder, 300-Sheet Output Bin, Integrated Duplex

Paper Handling Optional

550-Sheet Specialty Media Drawer, 2,000-Sheet High-Capacity Feeder, 550-Sheet Drawer

Paper Input Capacity, Standard: Up to

650 pages 20 lb or 75 gsm bond

Paper Input Capacity, Maximum: Up to

4300 pages 20 lb or 75 gsm bond

Paper Output Capacity, Standard: Up to

300 pages 20 lb or 75 gsm bond

Paper Output Capacity, Maximum: Up to

300 pages 20 lb or 75 gsm bond

Finishing Option

No

Number of Paper Inputs, Standard

2

Number of Paper Inputs, Maximum

6

Media Types Supported

Refer to the Card Stock & Label Guide, Plain Paper, Envelopes, Card Stock, Paper Labels, Vinyl Labels, Transparencies

Media Sizes Supported

A6, Oficio, Universal, Statement, Folio, B5, C5 Envelope, A5, 9 Envelope, 10 Envelope, 7 3/4 Envelope, A4, B5 Envelope, DL Envelope, Executive, JIS-B5, Legal, Letter

Standard Ports

Ethernet 10/100/1000 BaseTX (RJ-45), Front USB 2.0 Specification Hi-Speed Certified Port (Type A), USB 2.0 Specification Hi-Speed Certified (Type B), Rear USB 2.0 Specification Hi-Speed Certified Port (Type A)

Optional Network Ports

Internal MarkNet™ N8250 802.11b/g/n Wireless

Optional Local Ports

Internal 1284-B Bidirectional Parallel, Internal RS-232C serial

Network Printing Methods

ThinPrint .print integration, FTP, TFTP, IPP 1.1 (Internet Printing Protocol), Enhanced IP (Port 9400), Direct IP (Port 9100), LPR/LPD, HTTP

Network Protocol Support

UDP, TCP/IP IPv6, TCP/IP IPv4, AppleTalk™, TCP

Network Security

IPSec, 802.1x Authentication: MD5, MSCHAPv2, LEAP, PEAP, TLS, TTLS, SNMPv3

Printer Languages (Standard)

Microsoft XPS (XML Paper Specification), Direct Image, xHTML, Personal Printer Data Stream (PPDS), PCL 5c Emulation, PCL 6 Emulation, PostScript 3 PCL5, PDF 1.6

Supplies Yield

7,000*-page color (CMY) Toner Cartridges, 10,000*-page color High Yield Toner Cartridges (CMY), 12,000*-page Black High Yield Toner Cartridge

Cartridge(s) Shipping with Product

12,000*-page Black High Yield Return Program Toner

Cartridge, 10,000*-page color (CMY) High Yield Return Program Toner Cartridges

Packaged Size (mm - H x W x D)

545 x 588 x 553 mm

Size (mm - H x W x D)

455 x 435 x 400 mm

Packaged Size (in. - H x W x D)

21.5 x 23.1 x 21.8 in.

Size (in. - H x W x D)

17.9 x 17.1 x 15.7 in.

Size, Trays Extended (mm - H x W x D)

not define mm

Weight (kg)

25.6 kg

Size, Trays Extended (in. - H x W x D)

not define in.

Weight (lb.)

56.4 lb.

Noise Level, Idle

32 dBA

Print Noise Level, Operating

55 dBA

Product Warranty

1-Year Onsite Service, Next Business Day

Product Certifications

Energy Star, Blue Angel (RAL-UZ-122), CAN/CSA-C22.2 60950-1, CSA E60825-1, ICES-003 Class B, BSMI Class B, VCCI Class B, US FDA, FCC Class B, UL 60950-1, EN/IEC 60320-1, CE Class B, CB IEC 60950-1, EN 60950-1, EN/IEC 61000-3, EN 55022 Class B, EN 55024, EN/IEC 60825-1, GS (TÜV), AR S (TÜV), SMA C-tick mark Class B, CCC Class B, CISPIR 22 Class B, MIC Mark, EK Mark

Maximum Monthly Duty Cycle

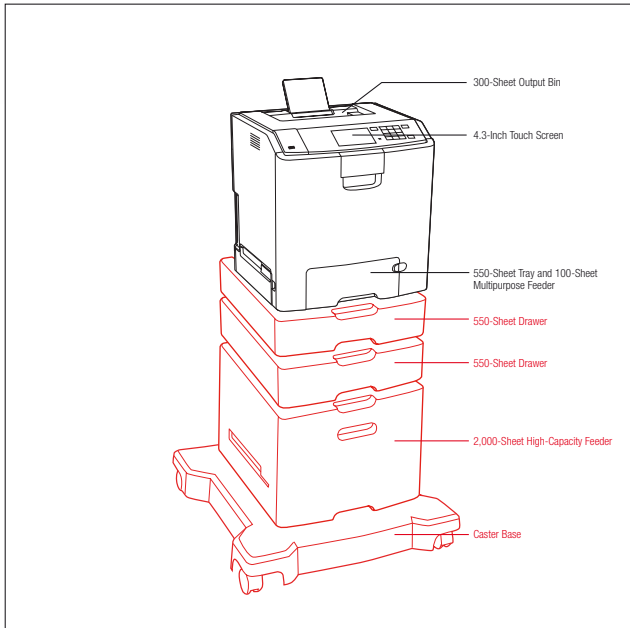
Up to 100,000 pages per month

Recommended Monthly Page Volume

2,500 - 10,000 pages

Specified Operating Environment

Altitude: 0 - 3048 Meters (10,000 Feet), Temperature: 16 to 32°C (60 to 90°F), Humidity: 8 to 80% Relative Humidity



Standard
 Optional

COLOR LASER

| Part # | Model |
|---------|----------------|
| 41H0050 | Lexmark C748de |

| Part # | Laser Toner/Print Cartridge |
|----------|--|
| C746H1KG | C746, C748 Black High Yield Return Program Toner Cartridge |
| C748H1CG | C748 Cyan High Yield Return Program Toner Cartridge |
| C748H1MG | C748 Magenta High Yield Return Program Toner Cartridge |
| C748H1YG | C748 Yellow High Yield Return Program Toner Cartridge |
| C746A1CG | C746, C748 Cyan Return Program Toner Cartridge |
| C746A1MG | C746, C748 Magenta Return Program Toner Cartridge |
| C746A1YG | C746, C748 Yellow Return Program Toner Cartridge |
| C746H2KG | C746, C748 Black High Yield Toner Cartridge |
| C748H2CG | C748 Cyan High Yield Toner Cartridge |
| C748H2MG | C748 Magenta High Yield Toner Cartridge |
| C748H2YG | C748 Yellow High Yield Toner Cartridge |
| C746A2CG | C746, C748 Cyan Toner Cartridge |
| C746A2MG | C746, C748 Magenta Toner Cartridge |
| C746A2YG | C746, C748 Yellow Toner Cartridge |
| C734X77G | Waste Toner Box |
| C734X20G | Photoconductor Unit |
| C734X24G | Photoconductor Unit, 4-Pack |

| Part # | Paper Handling |
|---------|----------------------------------|
| 27S2100 | 550-Sheet Drawer |
| 27S2400 | 2,000-Sheet High Capacity Feeder |
| 27S2650 | 550-Sheet Specialty Media Drawer |
| 27S2190 | 4.8 inch (12.2 cm) Spacer |

| Part # | Furniture |
|---------|------------------------|
| 3052765 | Swivel Cabinet |
| 34T5114 | C74x, X74x Caster Base |

| Part # | Memory Options |
|---------|-------------------------------|
| 1025041 | 256MB DDR2-DRAM |
| 1025042 | 512MB DDR2-DRAM |
| 1025043 | 1024MB DDR2-DRAM |
| 14F0245 | 256MB Flash Card |
| 27X0014 | 160+ GB Hard Disk |
| 30G0287 | Arabic Font Card |
| 30G0828 | Japanese Font Card |
| 30G0825 | Korean Font Card |
| 30G0826 | Simplified Chinese Font Card |
| 30G0827 | Traditional Chinese Font Card |

| Part # | Application Solutions |
|---------|-----------------------------------|
| 57X9000 | Lexmark PrintCrypton Card |
| 41H0198 | C748 Card for IPDS |
| 41H0199 | C748 Card for PRESCRIBE Emulation |
| 41H0197 | C748 Forms and Bar Code Card |

| Part # | Connectivity |
|---------|---|
| 27X0025 | MarkNet N8250 802.11b/g/n Wireless Print Server |

| | |
|---------|--------------------------------|
| 1021294 | USB Cable (2-meter) |
| 14F0000 | Parallel 1284-B Interface Card |
| 1021231 | Parallel Cable (10-foot) |
| 14F0100 | RS-232C Serial Interface Card |

| Part # | Extended Warranties |
|---------|--|
| 2355024 | C748 2-Years Total (1+1) Onsite Service, Next Business Day |
| 2355025 | C748 3-Years Total (1+2) Onsite Service, Next Business Day |
| 2355026 | C748 4-Years Total (1+3) Onsite Service, Next Business Day |
| 2355027 | C748 5-Years Total (1+4) Onsite Service, Next Business Day |
| 2355028 | C748 1-Year Onsite Service Renewal, Next Business Day |

| Part # | User Replaceable Parts |
|---------|---------------------------------------|
| 40X5168 | Pick Tire |
| 40X5152 | Pick Tire, Specialty Media Drawer |
| 40X8110 | C74x, X74x Fuser Maintenance 110-120V |
| 40X6401 | Transfer Belt Maintenance Kit |

| Part # | Installation Service |
|---------|----------------------------------|
| 2355031 | C748 Install, De-Install Service |



Lexmark C748dte

The Lexmark C748dte delivers high-quality color printing and reliable performance. Easy-to-use features and solutions increase efficiency. Energy-saving features make responsible printing easy.

Print Technology

Color Laser

Function

Color Printing

Display

Lexmark e-Task 4.3-inch (10.9 cm) color touch screen

Print Speed (Letter, Black)

Up to 35 ppm

Print Speed (Letter, Color)

Up to 35 ppm

Print Speed (Letter, Black) Duplex

Up to 23 ppm

Time to First Page (Black)

As fast as 9 seconds

Time to First Page (Color)

As fast as 9 seconds

Print Resolution, Black

4800 Color Quality (2400 x 600 dpi), 1200 x 1200 dpi

Print Resolution, Color

4800 Color Quality (2400 x 600 dpi), 1200 x 1200 dpi

Processor

800 MHz

Memory, Standard

512 MB

Memory, Maximum

1536 MB

Hard Disk

Option available

Expandable Memory Options

Yes

Apple Macintosh Operating Systems Supported

Mac OS X (10.5, 10.6, 10.7)

Linux Operating Systems Supported

PCLinuxOS 2010, Fedora 14, openSUSE 11.2, 11.3, 11.4, Red Flag Linux Desktop 6.0, SUSE Linux Enterprise Server 10, 11, SUSE Linux Enterprise Desktop 10, 11, Linpus Linux Desktop 9.6, Debian GNU/Linux 5.0, 6.0, Mint 9, 10, Ubuntu 11.04, 11.10, 12.04, Red Hat Enterprise Linux WS 4.0, 5.0, 6.0, Ubuntu 9.04 LTS, 10.04, 10.10

Microsoft Windows Operating Systems Supported

Server 2008 R2 running Terminal Services, Server 2008 R2, Windows 7 x64, Server 2008 x64, Vista x64, Server 2003 x64 running Terminal Services, Server 2003 running Terminal Services, Server 2003, XP, XP x64, Server 2003 x64, Vista, Server 2008, Server 2008 running Terminal Services, Server 2008 x64 running Terminal Services, Windows 7

Novell Operating Systems Supported

Open Enterprise Server on SUSE Linux Enterprise Server, NetWare 5.1(SP 6+), 6.0(SP 3+) with Novell Distributed Print Services (NDPS), NetWare 6.5 Open Enterprise Server

UNIX Operating Systems Supported

IBM AIX 5.2, 5.3, 6.1, 7.1, HP-UX 11.11, 11.23, 11.31, Sun Solaris SPARC 8, 9, 10, Sun Solaris x86 10

Paper Handling Standard

550-Sheet Input Tray, 300-Sheet Output Bin, 550-Sheet Drawer, Integrated Duplex, 100-Sheet Multipurpose Feeder

Paper Handling Optional

550-Sheet Specialty Media Drawer, 550-Sheet Drawer, 2,000-Sheet High-Capacity Feeder

Paper Input Capacity, Standard: Up to

1200 pages 20 lb or 75 gsm bond

Paper Input Capacity, Maximum: Up to

4300 pages 20 lb or 75 gsm bond

Paper Output Capacity, Standard: Up to

300 pages 20 lb or 75 gsm bond

Paper Output Capacity, Maximum: Up to

300 pages 20 lb or 75 gsm bond

Finishing Option

No

Number of Paper Inputs, Standard

3

Number of Paper Inputs, Maximum

6

Media Types Supported

Refer to the Card Stock & Label Guide, Plain Paper, Envelopes, Card Stock, Paper Labels, Vinyl Labels, Transparencies

Media Sizes Supported

A6, Oficio, Universal, Statement, Folio, B5, C5 Envelope, A5, 9 Envelope, 10 Envelope, 7 3/4 Envelope, A4, B5 Envelope, DL Envelope, Executive, JIS-B5, Legal, Letter

Standard Ports

Ethernet 10/100/1000 BaseTX (RJ-45), Front USB 2.0 Specification Hi-Speed Certified Port (Type A), USB 2.0 Specification Hi-Speed Certified (Type B), Rear USB 2.0 Specification Hi-Speed Certified Port (Type A)

Optional Network Ports

Internal MarkNet™ N8250 802.11b/g/n Wireless

Optional Local Ports

Internal 1284-B Bidirectional Parallel, Internal RS-232C serial

Network Printing Methods

ThinPrint .print integration, FTP, TFTP, IPP 1.1 (Internet Printing Protocol), Enhanced IP (Port 9400), Direct IP (Port 9100), LPR/LPD, HTTP

Network Protocol Support

UDP, TCP/IP IPv6, TCP/IP IPv4, AppleTalk™, TCP

Network Security

IPSec, 802.1x Authentication: MD5, MSCHAPv2, LEAP, PEAP, TLS, TTLS, SNMPv3

Printer Languages (Standard)

Microsoft XPS (XML Paper Specification), Direct Image, xHTML, Personal Printer Data Stream (PPDS), PCL 5c Emulation, PCL 6 Emulation, PostScript 3 PCL5, PDF 1.6

Supplies Yield

7,000*-page color (CMY) Toner Cartridges, 10,000*-page color High Yield Toner Cartridges (CMY), 12,000*-page Black High Yield Toner Cartridge

Cartridge(s) Shipping with Product

12,000*-page Black High Yield Return Program Toner

Cartridge, 10,000*-page color (CMY) High Yield Return Program Toner Cartridges

Packaged Size (mm - H x W x D)

760 x 595 x 553 mm

Size (mm - H x W x D)

582 x 435 x 545 mm

Packaged Size (in. - H x W x D)

29.9 x 23.4 x 21.8 in.

Size (in. - H x W x D)

22.9 x 17.1 x 21.5 in.

Size, Trays Extended (mm - H x W x D)

not define mm

Weight (kg)

30.1 kg

Size, Trays Extended (in. - H x W x D)

not define in.

Weight (lb.)

66.4 lb.

Noise Level, Idle

32 dBA

Print Noise Level, Operating

55 dBA

Product Warranty

1-Year Onsite Service, Next Business Day

Product Certifications

Energy Star, Blue Angel (RAL-UZ-122), CAN/CSA-C22.2 60950-1, CSA E60825-1, ICES-003 Class B, BSMI Class B, VCCI Class B, US FDA, FCC Class B, UL 60950-1, EN/IEC 60320-1, CE Class B, CB IEC 60950-1, EN 60950-1, EN/IEC 61000-3, EN 55022 Class B, EN 55024, EN/IEC 60825-1, GS (TÜV), AR S (TÜV), SMA C-tick mark Class B, CCC Class B, CISPIR 22 Class B, MIC Mark, EK Mark

Maximum Monthly Duty Cycle

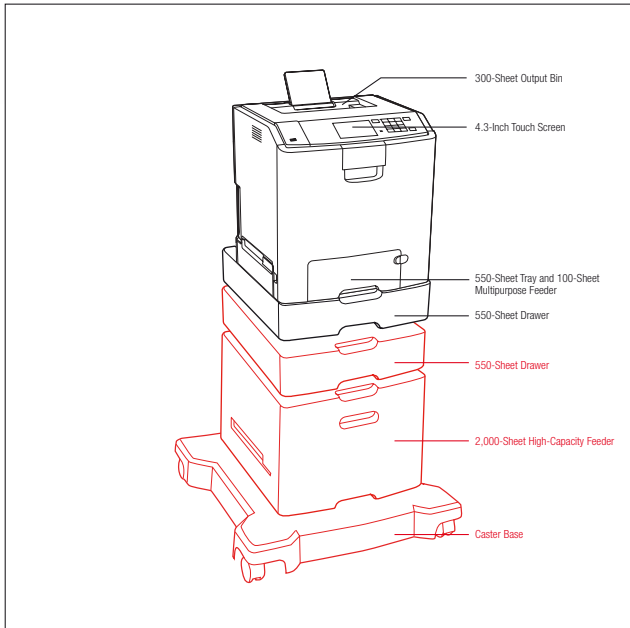
Up to 100,000 pages per month

Recommended Monthly Page Volume

2,500 - 10,000 pages

Specified Operating Environment

Altitude: 0 - 3048 Meters (10,000 Feet), Temperature: 16 to 32°C (60 to 90°F), Humidity: 8 to 80% Relative Humidity



Standard
 Optional

COLOR LASER

| Part # | Model |
|---------|-----------------|
| 41H0100 | Lexmark C748dte |

| Part # | Laser Toner/Print Cartridge |
|----------|--|
| C746H1KG | C746, C748 Black High Yield Return Program Toner Cartridge |
| C748H1CG | C748 Cyan High Yield Return Program Toner Cartridge |
| C748H1MG | C748 Magenta High Yield Return Program Toner Cartridge |
| C748H1YG | C748 Yellow High Yield Return Program Toner Cartridge |
| C746A1CG | C746, C748 Cyan Return Program Toner Cartridge |
| C746A1MG | C746, C748 Magenta Return Program Toner Cartridge |
| C746A1YG | C746, C748 Yellow Return Program Toner Cartridge |
| C746H2KG | C746, C748 Black High Yield Toner Cartridge |
| C748H2CG | C748 Cyan High Yield Toner Cartridge |
| C748H2MG | C748 Magenta High Yield Toner Cartridge |
| C748H2YG | C748 Yellow High Yield Toner Cartridge |
| C746A2CG | C746, C748 Cyan Toner Cartridge |
| C746A2MG | C746, C748 Magenta Toner Cartridge |
| C746A2YG | C746, C748 Yellow Toner Cartridge |
| C734X77G | Waste Toner Box |
| C734X20G | Photoconductor Unit |
| C734X24G | Photoconductor Unit, 4-Pack |

| Part # | Paper Handling |
|---------|----------------------------------|
| 27S2100 | 550-Sheet Drawer |
| 27S2400 | 2,000-Sheet High Capacity Feeder |
| 27S2650 | 550-Sheet Specialty Media Drawer |
| 27S2190 | 4.8 inch (12.2 cm) Spacer |

| Part # | Furniture |
|---------|------------------------|
| 3052765 | Swivel Cabinet |
| 34T5114 | C74x, X74x Caster Base |

| Part # | Memory Options |
|---------|-------------------------------|
| 1025041 | 256MB DDR2-DRAM |
| 1025042 | 512MB DDR2-DRAM |
| 1025043 | 1024MB DDR2-DRAM |
| 14F0245 | 256MB Flash Card |
| 27X0014 | 160+ GB Hard Disk |
| 30G0287 | Arabic Font Card |
| 30G0828 | Japanese Font Card |
| 30G0825 | Korean Font Card |
| 30G0826 | Simplified Chinese Font Card |
| 30G0827 | Traditional Chinese Font Card |

| Part # | Application Solutions |
|---------|-----------------------------------|
| 57X9000 | Lexmark PrintCrypton Card |
| 41H0198 | C748 Card for IPDS |
| 41H0199 | C748 Card for PRESCRIBE Emulation |
| 41H0197 | C748 Forms and Bar Code Card |

| Part # | Connectivity |
|---------|---|
| 27X0025 | MarkNet N8250 802.11b/g/n Wireless Print Server |

| | |
|---------|--------------------------------|
| 1021294 | USB Cable (2-meter) |
| 14F0000 | Parallel 1284-B Interface Card |
| 1021231 | Parallel Cable (10-foot) |
| 14F0100 | RS-232C Serial Interface Card |

| Part # | Extended Warranties |
|---------|--|
| 2355024 | C748 2-Years Total (1+1) Onsite Service, Next Business Day |
| 2355025 | C748 3-Years Total (1+2) Onsite Service, Next Business Day |
| 2355026 | C748 4-Years Total (1+3) Onsite Service, Next Business Day |
| 2355027 | C748 5-Years Total (1+4) Onsite Service, Next Business Day |
| 2355028 | C748 1-Year Onsite Service Renewal, Next Business Day |

| Part # | User Replaceable Parts |
|---------|---------------------------------------|
| 40X5168 | Pick Tire |
| 40X5152 | Pick Tire, Specialty Media Drawer |
| 40X8110 | C74x, X74x Fuser Maintenance 110-120V |
| 40X6401 | Transfer Belt Maintenance Kit |

| Part # | Installation Service |
|---------|----------------------------------|
| 2355031 | C748 Install, De-Install Service |



Lexmark C792e

Enjoy the benefits of workgroup color laser printing through a robust design combined with exceptional media handling and an intuitive color touch screen.

Print Technology

Color Laser

Function

Color Printing

Display

Lexmark e-Task 4.3-inch (10.9 cm) color touch screen

Print Speed (Letter, Black)

Up to 50 ppm

Print Speed (Letter, Color)

Up to 50 ppm

Time to First Page (Black)

As fast as 8 seconds

Time to First Page (Color)

As fast as 8.5 seconds

Print Resolution, Black

4800 Color Quality (2400 x 600 dpi), 1200 x 1200 dpi

Print Resolution, Color

4800 Color Quality (2400 x 600 dpi), 1200 x 1200 dpi

Memory, Standard

512 MB

Memory, Maximum

1536 MB

Hard Disk

Option available

Expandable Memory Options

Yes

Apple Macintosh Operating Systems Supported

Mac OS X

Linux Operating Systems Supported

Fedora 12, 13, Red Hat Enterprise Linux WS 4.0, 5.0, SUSE Linux Enterprise Desktop 10, 11, Debian GNU/Linux 5.0, SUSE Linux Enterprise Server 10, 11, openSUSE 11.0, 11.1, Red Flag Linux Desktop 6.0, Ubuntu 9.04, 9.10, 10.04, Linpus Linux Desktop 9.6

Microsoft Windows Operating Systems Supported

Server 2008 R2 running Terminal Services, Server 2008 R2, Windows 7 x64, Server 2008 x64, Vista x64, Server 2003 x64 running Terminal Services, Server 2003 running Terminal Services, Server 2003, XP, XP x64, Server 2003 x64, Vista, Server 2008, Server 2008 running Terminal Services, Server 2008 x64 running Terminal Services, Windows 7

Novell Operating Systems Supported

Open Enterprise Server on SUSE Linux Enterprise Server, NetWare 5.1 (SP 6+), 6.0 (SP 3+) with Novell Distributed Print Services (NDPS), NetWare 6.5 Open Enterprise Server

UNIX Operating Systems Supported

Sun openSolaris x86 2010.02, Sun Solaris SPARC 8, 9, 10, Sun Solaris x86 10, Sun openSolaris SPARC 2010.02, HP-UX 11.11, 11.23, 11.31, IBM AIX 5.2, 5.3, 6.1

Paper Handling Standard

550-Sheet Input Tray, 500-Sheet Output Bin, 100-Sheet Multipurpose Feeder

Paper Handling Optional

500-Sheet Staple Punch Finisher, 5-Bin Mailbox, 550-Sheet Drawer, 500-Sheet Staple Finisher, 2,000-Sheet High-Capacity Feeder, 500-Sheet Offset Stacker

Paper Input Capacity, Standard: Up to

650 pages 20 lb or 75 gsm bond

Paper Input Capacity, Maximum: Up to

3200 pages 20 lb or 75 gsm bond

Paper Output Capacity, Standard: Up to

500 pages 20 lb or 75 gsm bond

Paper Output Capacity, Maximum: Up to

1000 pages 20 lb or 75 gsm bond

Finishing Option

Yes

Number of Paper Inputs, Standard

2

Number of Paper Inputs, Maximum

5

Media Types Supported

Banner Paper, Integrated Labels, Card Stock, Dual Web Labels, Envelopes, Glossy Paper, Paper Labels, Refer to the Card Stock & Label Guide, Transparencies, Polyester Labels, Plain Paper, Vinyl Labels, Outdoor Media

Media Sizes Supported

Universal, Statement, Letter, Legal, DL Envelope, B5 Envelope, A4, 7 3/4 Envelope, 10 Envelope, 9 Envelope, A5, C5 Envelope, Executive, Folio, JIS-B5

Standard Ports

Ethernet 10/100/1000 Base-TX (RJ-45), Rear USB 2.0 Specification Hi-Speed Certified Port (Type A), Front USB 2.0 Specification Hi-Speed Certified Port (Type A), USB 2.0 Specification Hi-Speed Certified (Type B)

Optional Network Ports

Internal MarkNet™ N8250 802.11b/g/n Wireless, Internal MarkNet™ N8120 Gigabit Ethernet, External MarkNet™ N7020e Gigabit Ethernet, Internal MarkNet™ N8130 Fiber Fast Ethernet

Optional Local Ports

Internal 1284-B Bidirectional Parallel, Internal RS-232C serial

Network Printing Methods

ThinPrint™ print integration, LPR/LPD, Direct IP (Port 9100), HTTP, FTP, TFTP, Enhanced IP (Port 9400), IPP 1.1 (Internet Printing Protocol), NDPS/NEPS (Novell Distributed Print Services, Novell Network Enterprise Print Services)

Network Protocol Support

UDP, TCP, AppleTalk™, TCP/IP IPv4, TCP/IP IPv6

Network Security

IPSec, 802.1x Authentication: MD5, MSCHAPv2, LEAP, PEAP, TLS, TTLS, SNMPv3

Printer Languages (Standard)

AirPrint™, Direct Image, xHTML, Personal Printer Data Stream (PPDS), PCL 5c Emulation, PCL 6 Emulation, PostScript 3 Emulation, PDF 1.6, Microsoft XPS (XML Paper Specification)

Supplies Yield

20,000*-page (CMYK) Extra High Yield Print Cartridges, 6,000*-page (CMYK) Print Cartridges

Cartridge(s) Shipping with Product

11,000*-page color (CMY) Starter Return Program Print Cartridges, 8,500*-page Black Starter Return Program Print Cartridge

Packaged Size (mm - H x W x D)

845 x 760 x 700 mm

Size (mm - H x W x D)

515 x 566 x 512 mm

Packaged Size (in. - H x W x D)

33.27 x 29.92 x 27.56 in.

Size (in. - H x W x D)

20.3 x 22.3 x 20.2 in.

Size, Trays Extended (mm - H x W x D)

515 x 693 x 512 mm

Weight (kg)

50 kg

Size, Trays Extended (in. - H x W x D)

20.3 x 27.3 x 20.2 in.

Weight (lb.)

110 lb.

Noise Level, Idle

25 dBA

Print Noise Level, Operating

52 dBA

Product Warranty

1-Year Onsite Service, Next Business Day

Product Certifications

EN/IEC 60825-1 (Class 1 Laser Product), CAN/CSA-C22.2 60950-1-07, ICES-003 Class A, US FDA, BSMI Class A, CNS 13438, VCCI Class A, FCC Class A, UL 60950-1, EN/IEC 60320-1, NOM-019-SCFI-1998, CE Class A, CB IEC 60950-1, EN 60950-1, EN/IEC 61000-3, EN 55022 Class A, EN 55024, GS (TUV), SAT, SABS, ZIK, KPSIM, Bel GISS, GOST-R 'Cpt' Mark, N Mark, UL AR, CS, TÜV Rhf, ACMA A-tick mark Class A, AS/NZS 60950-1, CCC Class A, CISPR 22 Class A, MIC Mark, EK-K60950, PSB

Maximum Monthly Duty Cycle

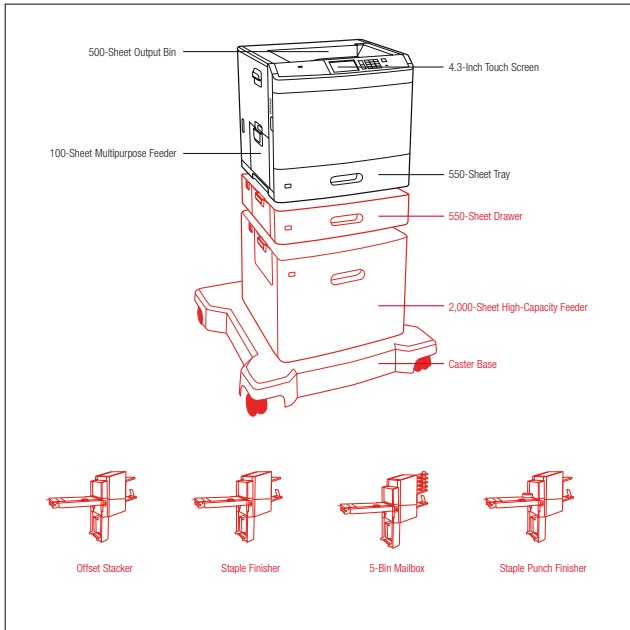
Up to 150,000 pages per month

Recommended Monthly Page Volume

2500 - 17,000 pages

Specified Operating Environment

Altitude: 0 - 3048 Meters (10,000 Feet), Temperature: 16 to 32°C (60 to 90°F), Humidity: 8 to 80% Relative Humidity



Standard
 Optional

COLOR LASER

| Part # | Model |
|---------|---------------|
| 47B0000 | Lexmark C792e |

| Part # | Laser Toner/Print Cartridge |
|----------|--|
| C792X1KG | C792 Black Extra High Yield Return Program Print Cartridge |
| C792X1CG | C792 Cyan Extra High Yield Return Program Print Cartridge |
| C792X1MG | C792 Magenta Extra High Yield Return Program Print Cartridge |
| C792X1YG | C792 Yellow Extra High Yield Return Program Print Cartridge |
| C792A1KG | C792, X792 Black Return Program Print Cartridge |
| C792A1CG | C792, X792 Cyan Return Program Print Cartridge |
| C792A1MG | C792, X792 Magenta Return Program Print Cartridge |
| C792A1YG | C792, X792 Yellow Return Program Print Cartridge |
| C792X2KG | C792 Black Extra High Yield Print Cartridge |
| C792X2CG | C792 Cyan Extra High Yield Print Cartridge |
| C792X2MG | C792 Magenta Extra High Yield Print Cartridge |
| C792X2YG | C792 Yellow Extra High Yield Print Cartridge |
| C792X77G | C792, X792 Waste Toner Bottle |
| 25A0013 | Staple Cartridges (3 pack) |

| Part # | Paper Handling |
|---------|--|
| 47B0110 | C792, X792 550-Sheet Drawer |
| 47B0111 | C792, X792 2000-Sheet High Capacity Feeder |
| 47B1101 | C792, X792 5-Bin Mailbox |
| 47B1102 | C792, X792 500-Sheet Offset Stacker |
| 47B1100 | C792, X792 500-Sheet Staple Finisher |
| 47B1103 | C792, X792 500-Sheet Staple, Hole Punch Finisher |
| 47B0112 | C792, X792 Spacer |
| 47B0113 | C792 Banner Media Tray |

| Part # | Furniture |
|---------|------------------------|
| 47B0114 | C792, X792 Caster Base |

| Part # | Memory Options |
|---------|-------------------------------|
| 1025041 | 256MB DDR2-DRAM |
| 1025042 | 512MB DDR2-DRAM |
| 1025043 | 1024MB DDR2-DRAM |
| 14F0245 | 256MB Flash Card |
| 27X0014 | 160+ GB Hard Disk |
| 30G0287 | Arabic Font Card |
| 30G0828 | Japanese Font Card |
| 30G0825 | Korean Font Card |
| 30G0826 | Simplified Chinese Font Card |
| 30G0827 | Traditional Chinese Font Card |

| Part # | Application Solutions |
|---------|-----------------------------------|
| 47B1115 | C792 Card for PRESCRIBE Emulation |
| 47B1113 | C792 Forms and Bar Code Card |
| 47B1114 | C792 Card for IPDS |
| 57X9000 | Lexmark PrintCryption Card |

| Part # | Connectivity |
|---------|---|
| 27X0025 | MarkNet N8250 802.11b/g/n Wireless Print Server |

| | |
|---------|---|
| 14F0037 | MarkNet N8120 Gigabit Ethernet Print Server |
| 14F0042 | MarkNet N8130 Fiber Ethernet 100BaseFX, 10BaseFL Print Server |
| 14T0220 | MarkNet™ N7020e Gigabit Ethernet Print Server |
| 1021294 | USB Cable (2-meter) |
| 14F0000 | Parallel 1284-B Interface Card |
| 1021231 | Parallel Cable (10-foot) |
| 14F0100 | RS-232C Serial Interface Card |

| Part # | Extended Warranties |
|---------|---|
| 2353754 | C792 2-Years Total Onsite Service, Next Business Day |
| 2353755 | C792 3-Years Total Onsite Service, Next Business Day |
| 2353756 | C792 4-Years Total Onsite Service, Next Business Day |
| 2353757 | C792 5-Years Total Onsite Service, Next Business Day |
| 2353758 | C792 1-Year Onsite Service Renewal, Next Business Day |

| Part # | User Replaceable Parts |
|---------|--|
| 40X7100 | C792, X792 Fuser Maintenance Kit 110-120V |
| 40X7103 | C792, X792 Transfer module Maintenance Kit |

| Part # | Service Parts |
|---------|-------------------------------|
| 40X6104 | Pick Tire for Trays |
| 40X7178 | MPF Pick Tires and Wear Strip |

| Part # | Installation Service |
|---------|----------------------------------|
| 2353761 | C792 Install, De-Install Service |



Lexmark C792de

The C792de combines a robust design, exceptional media handling, two-sided printing and an intuitive color touch screen to deliver your workgroup brilliant color laser printing.

Print Technology

Color Laser

Function

Color Printing

Display

Lexmark e-Task 4.3-inch (10.9 cm) color touch screen

Print Speed (Letter, Black)

Up to 50 ppm

Print Speed (Letter, Color)

Up to 50 ppm

Print Speed (Letter, Black) Duplex

Up to 50 ppm

Time to First Page (Black)

As fast as 8 seconds

Time to First Page (Color)

As fast as 8.5 seconds

Print Resolution, Black

4800 Color Quality (2400 x 600 dpi), 1200 x 1200 dpi

Print Resolution, Color

4800 Color Quality (2400 x 600 dpi), 1200 x 1200 dpi

Memory, Standard

512 MB

Memory, Maximum

1536 MB

Hard Disk

Option available

Expandable Memory Options

Yes

Apple Macintosh Operating Systems Supported

Mac OS X

Linux Operating Systems Supported

Fedora 12, 13, Red Hat Enterprise Linux WS 4.0, 5.0, SUSE Linux Enterprise Desktop 10, 11, Debian GNU/Linux 5.0, SUSE Linux Enterprise Server 10, 11, openSUSE 11.0, 11.1, Red Flag Linux Desktop 6.0, Ubuntu 9.04, 9.10, 10.04, Linpus Linux Desktop 9.6

Microsoft Windows Operating Systems Supported

Server 2008 R2 running Terminal Services, Server 2008 R2, Windows 7 x64, Server 2008 x64, Vista x64, Server 2003 x64 running Terminal Services, Server 2003 running Terminal Services, Server 2003, XP, XP x64, Server 2003 x64, Vista, Server 2008, Server 2008 running Terminal Services, Server 2008 x64 running Terminal Services, Windows 7

Novell Operating Systems Supported

Open Enterprise Server on SUSE Linux Enterprise Server, NetWare 5.1 (SP 6+), 6.0 (SP 3+) with Novell Distributed Print Services (NDPS), NetWare 6.5 Open Enterprise Server

UNIX Operating Systems Supported

Sun OpenSolaris x86 2010.02, Sun Solaris SPARC 8, 9, 10, Sun Solaris x86 10, Sun OpenSolaris SPARC 2010.02, HP-UX 11.11, 11.23, 11.31, IBM AIX 5.2, 5.3, 6.1

Paper Handling Standard

550-Sheet Input Tray, 500-Sheet Output Bin, 100-Sheet Multipurpose Feeder, Integrated Duplex

Paper Handling Optional

500-Sheet Staple Punch Finisher, 500-Sheet Staple

Finisher, 500-Sheet Offset Stacker, 550-Sheet Drawer, 5-Bin Mailbox, 2,000-Sheet High-Capacity Feeder

Paper Input Capacity, Standard: Up to

650 pages 20 lb or 75 gsm bond

Paper Input Capacity, Maximum: Up to

3200 pages 20 lb or 75 gsm bond

Paper Output Capacity, Standard: Up to

500 pages 20 lb or 75 gsm bond

Paper Output Capacity, Maximum: Up to

1100 pages 20 lb or 75 gsm bond

Finishing Option

Yes

Number of Paper Inputs, Standard

2

Number of Paper Inputs, Maximum

5

Media Types Supported

Banner Paper, Integrated Labels, Card Stock, Dual Web Labels, Envelopes, Glossy Paper, Paper Labels. Refer to the Card Stock & Label Guide, Transparencies, Polyester Labels, Plain Paper, Vinyl Labels, Outdoor Media

Media Sizes Supported

Universal, Statement, Letter, Legal, DL Envelope, B5 Envelope, A4, 7 3/4 Envelope, 10 Envelope, 9 Envelope, A5, C5 Envelope, Executive, Folio, JIS-B5

Standard Ports

Ethernet 10/100/1000 BaseTX (RJ-45), Rear USB 2.0 Specification Hi-Speed Certified Port (Type A), Front USB 2.0 Specification Hi-Speed Certified Port (Type A), USB 2.0 Specification Hi-Speed Certified (Type B)

Optional Network Ports

Internal MarkNet™ N8250 802.11b/g/n Wireless, Internal MarkNet™ N8120 Gigabit Ethernet, External MarkNet™ N7020e Gigabit Ethernet, Internal MarkNet™ N8130 Fiber Fast Ethernet

Optional Local Ports

Internal 1284-B Bidirectional Parallel, Internal RS-232C serial

Network Printing Methods

ThinPrint, print integration, LPR/LPD, Direct IP (Port 9100), HTTP, FTP, TFTP, Enhanced IP (Port 9400), IPP 1.1 (Internet Printing Protocol), NDPS/NEPS (Novell Distributed Print Services, Novell Netware Enterprise Print Services)

Network Protocol Support

UDP, TCP, AppleTalk™, TCP/IP IPv4, TCP/IP IPv6

Network Security

IPSec, 802.1x Authentication: MD5, MSCHAPv2, LEAP, PEAP, TLS, TTLS, SNMPv3

Printer Languages (Standard)

AirPrint™, Direct Image, xHTML, Personal Printer Data Stream (PPDS), PCL 5c Emulation, PCL 6 Emulation, PostScript 3 Emulation, PDF 1.6, Microsoft XPS (XML Paper Specification)

Supplies Yield

20,000*-page (CMYK) Extra High Yield Print Cartridges,

6,000*-page (CMYK) Print Cartridges

Cartridge(s) Shipping with Product

11,000*-page color (CMY) Starter Return Program Print Cartridges, 8,500*-page Black Starter Return Program Print Cartridge

Packaged Size (mm - H x W x D)

845 x 760 x 700 mm

Size (mm - H x W x D)

515 x 566 x 512 mm

Packaged Size (in. - H x W x D)

33.27 x 29.92 x 27.56 in.

Size (in. - H x W x D)

20.3 x 22.3 x 20.2 in.

Size, Trays Extended (mm - H x W x D)

515 x 693 x 512 mm

Weight (kg)

50 kg

Size, Trays Extended (in. - H x W x D)

20.3 x 27.3 x 20.2 in.

Weight (lb.)

110 lb.

Noise Level, Idle

25 dBA

Print Noise Level, Operating

52 dBA

Product Warranty

1-Year Onsite Service, Next Business Day

Product Certifications

Energy Star, Blue Angel (RAL-UZ-112), EN/IEC 60825-1 (Class 1 Laser Product), CAN/CSA-C22.2 60950-1-07, ICES-003 Class A, US FDA, BSMI Class A, CNS 13438, VCCI Class A, FCC Class A, UL 60950-1, EN/IEC 60320-1, NOM-019-SCF-1998, CE Class A, CB IEC 60950-1, EN 60950-1, EN/IEC 61000-3, EN 55022 Class A, EN 55024, GS (TUV), SAT, SABS, ZIK, KPSIM, Bell GISS, GOST-R 'Cpt' Mark, N Mark, UL AR, CS, TÜV Rh, ACMA A-tick mark Class A, AS/NZS 60950-1, CCC Class A, CISPR 22 Class A, MIC Mark, EK-K69050, PSB

Maximum Monthly Duty Cycle

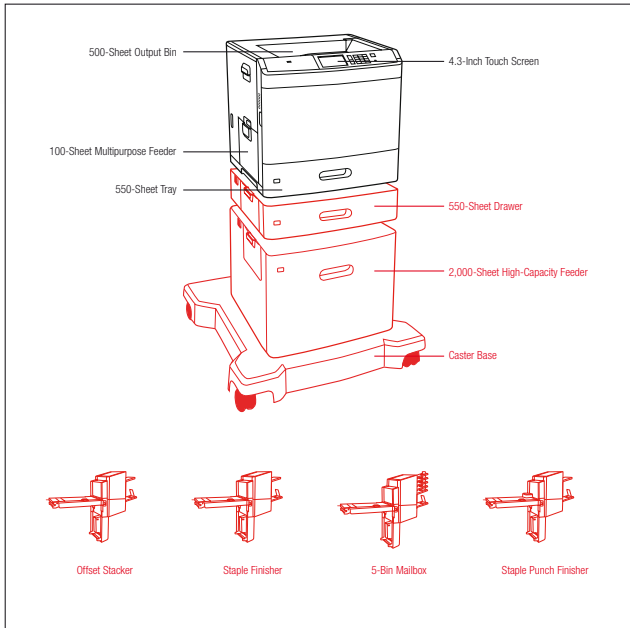
Up to 150,000 pages per month

Recommended Monthly Page Volume

2500 - 17,000 pages

Specified Operating Environment

Altitude: 0 - 3048 Meters (10,000 Feet), Temperature: 16 to 32°C (60 to 90°F), Humidity: 8 to 80% Relative Humidity



Standard
 Optional

COLOR LASER

| Part # | Model |
|---------|----------------|
| 47B0001 | Lexmark C792de |

| Part # | Laser Toner/Print Cartridge |
|----------|--|
| C792X1KG | C792 Black Extra High Yield Return Program Print Cartridge |
| C792X1CG | C792 Cyan Extra High Yield Return Program Print Cartridge |
| C792X1MG | C792 Magenta Extra High Yield Return Program Print Cartridge |
| C792X1YG | C792 Yellow Extra High Yield Return Program Print Cartridge |
| C792A1KG | C792, X792 Black Return Program Print Cartridge |
| C792A1CG | C792, X792 Cyan Return Program Print Cartridge |
| C792A1MG | C792, X792 Magenta Return Program Print Cartridge |
| C792A1YG | C792, X792 Yellow Return Program Print Cartridge |
| C792X2KG | C792 Black Extra High Yield Print Cartridge |
| C792X2CG | C792 Cyan Extra High Yield Print Cartridge |
| C792X2MG | C792 Magenta Extra High Yield Print Cartridge |
| C792X2YG | C792 Yellow Extra High Yield Print Cartridge |
| C792X77G | C792, X792 Waste Toner Bottle |
| 25A0013 | Staple Cartridges (3 pack) |

| Part # | Paper Handling |
|---------|--|
| 47B0110 | C792, X792 550-Sheet Drawer |
| 47B0111 | C792, X792 2000-Sheet High Capacity Feeder |
| 47B1101 | C792, X792 5-Bin Mailbox |
| 47B1102 | C792, X792 500-Sheet Offset Stacker |
| 47B1100 | C792, X792 500-Sheet Staple Finisher |
| 47B1103 | C792, X792 500-Sheet Staple, Hole Punch Finisher |
| 47B0112 | C792, X792 Spacer |
| 47B0113 | C792 Banner Media Tray |

| Part # | Furniture |
|---------|------------------------|
| 47B0114 | C792, X792 Caster Base |

| Part # | Memory Options |
|---------|-------------------------------|
| 1025041 | 256MB DDR2-DRAM |
| 1025042 | 512MB DDR2-DRAM |
| 1025043 | 1024MB DDR2-DRAM |
| 14F0245 | 256MB Flash Card |
| 27X0014 | 160+ GB Hard Disk |
| 30G0287 | Arabic Font Card |
| 30G0828 | Japanese Font Card |
| 30G0825 | Korean Font Card |
| 30G0826 | Simplified Chinese Font Card |
| 30G0827 | Traditional Chinese Font Card |

| Part # | Application Solutions |
|---------|-----------------------------------|
| 47B1115 | C792 Card for PRESCRIBE Emulation |
| 47B1113 | C792 Forms and Bar Code Card |
| 47B1114 | C792 Card for IPDS |
| 57X9000 | Lexmark PrintCryption Card |

| Part # | Connectivity |
|---------|---|
| 27X0025 | MarkNet N8250 802.11b/g/n Wireless Print Server |

| | |
|---------|---|
| 14F0037 | MarkNet N8120 Gigabit Ethernet Print Server |
| 14F0042 | MarkNet N8130 Fiber Ethernet 100BaseFX, 10BaseFL Print Server |
| 14T0220 | MarkNet™ N7020e Gigabit Ethernet Print Server |
| 1021294 | USB Cable (2-meter) |
| 14F0000 | Parallel 1284-B Interface Card |
| 1021231 | Parallel Cable (10-foot) |
| 14F0100 | RS-232C Serial Interface Card |

| Part # | Extended Warranties |
|---------|---|
| 2353754 | C792 2-Years Total Onsite Service, Next Business Day |
| 2353755 | C792 3-Years Total Onsite Service, Next Business Day |
| 2353756 | C792 4-Years Total Onsite Service, Next Business Day |
| 2353757 | C792 5-Years Total Onsite Service, Next Business Day |
| 2353758 | C792 1-Year Onsite Service Renewal, Next Business Day |

| Part # | User Replaceable Parts |
|---------|--|
| 40X7100 | C792, X792 Fuser Maintenance Kit 110-120V |
| 40X7103 | C792, X792 Transfer module Maintenance Kit |

| Part # | Service Parts |
|---------|-------------------------------|
| 40X6104 | Pick Tire for Trays |
| 40X7178 | MPF Pick Tires and Wear Strip |

| Part # | Installation Service |
|---------|----------------------------------|
| 2353761 | C792 Install, De-Install Service |



Lexmark C792dte

Workgroup color laser printing with expanded paper capacity, combining a robust design, exceptional media handling, two-sided printing and an intuitive color touch screen.

Print Technology

Color Laser

Function

Color Printing

Display

Lexmark e-Task 4.3-inch (10.9 cm) color touch screen

Print Speed (Letter, Black)

Up to 50 ppm

Print Speed (Letter, Color)

Up to 50 ppm

Print Speed (Letter, Black) Duplex

Up to 50 ppm

Time to First Page (Black)

As fast as 8 seconds

Time to First Page (Color)

As fast as 8.5 seconds

Print Resolution, Black

4800 Color Quality (2400 x 600 dpi), 1200 x 1200 dpi

Print Resolution, Color

4800 Color Quality (2400 x 600 dpi), 1200 x 1200 dpi

Memory, Standard

512 MB

Memory, Maximum

1536 MB

Hard Disk

Option available

Expandable Memory Options

Yes

Apple Macintosh Operating Systems Supported

Mac OS X

Linux Operating Systems Supported

Fedora 12, 13, Red Hat Enterprise Linux WS 4.0, 5.0, SUSE Linux Enterprise Desktop 10, 11, Debian GNU/Linux 5.0, SUSE Linux Enterprise Server 10, 11, openSUSE 11.0, 11.1, Red Flag Linux Desktop 6.0, Ubuntu 9.04, 9.10, 10.04, Linpus Linux Desktop 9.6

Microsoft Windows Operating Systems Supported

Server 2008 R2 running Terminal Services, Server 2008 R2, Windows 7 x64, Server 2008 x64, Vista x64, Server 2003 x64 running Terminal Services, Server 2003 running Terminal Services, Server 2003, XP, XP x64, Server 2003 x64, Vista, Server 2008, Server 2008 running Terminal Services, Server 2008 x64 running Terminal Services, Windows 7

Novell Operating Systems Supported

Open Enterprise Server on SUSE Linux Enterprise Server, NetWare 5.1 (SP 6+), 6.0 (SP 3+) with Novell Distributed Print Services (NDPS), NetWare 6.5 Open Enterprise Server

UNIX Operating Systems Supported

Sun openSolaris x86 2010.02, Sun Solaris SPARC 8, 9, 10, Sun Solaris x86 10, Sun openSolaris SPARC 2010.02, HP-UX 11.11, 11.23, 11.31, IBM AIX 5.2, 5.3, 6.1

Paper Handling Standard

550-Sheet Input Tray, 500-Sheet Output Bin, Integrated Duplex, 550-Sheet Drawer, 100-Sheet Multipurpose Feeder

Paper Handling Optional

500-Sheet Staple Punch Finisher, 500-Sheet Staple

Finisher, 2,000-Sheet High-Capacity Feeder, 550-Sheet Drawer, 5-Bin Mailbox, Banner Media Tray, 500-Sheet Offset Stacker

Paper Input Capacity, Standard: Up to

1200 pages 20 lb or 75 gsm bond

Paper Input Capacity, Maximum: Up to

3200 pages 20 lb or 75 gsm bond

Paper Output Capacity, Standard: Up to

500 pages 20 lb or 75 gsm bond

Paper Output Capacity, Maximum: Up to

1000 pages 20 lb or 75 gsm bond

Finishing Option

Yes

Number of Paper Inputs, Standard

3

Number of Paper Inputs, Maximum

5

Media Types Supported

Banner Paper, Integrated Labels, Card Stock, Dual Web Labels, Envelopes, Glossy Paper, Paper Labels, Refer to the Card Stock & Label Guide, Transparencies, Polyester Labels, Plain Paper, Vinyl Labels, Outdoor Media

Media Sizes Supported

Universal, Statement, Letter, Legal, DL Envelope, B5 Envelope, A4, 7 3/4 Envelope, 10 Envelope, 9 Envelope, A5, C5 Envelope, Executive, Folio, JIS-B5

Standard Ports

Ethernet 10/100/1000 BaseTX (RJ-45), Rear USB 2.0 Specification Hi-Speed Certified Port (Type A), Front USB 2.0 Specification Hi-Speed Certified Port (Type A), USB 2.0 Specification Hi-Speed Certified (Type B)

Optional Network Ports

Internal MarkNet™ N8250 802.11b/g/n Wireless, Internal MarkNet™ N8120 Gigabit Ethernet, External MarkNet™ N7020e Gigabit Ethernet, Internal MarkNet™ N8130 Fiber Fast Ethernet

Optional Local Ports

Internal 1284-B Bidirectional Parallel, Internal RS-232C serial

Network Printing Methods

ThinPrint print integration, LPR/LPD, Direct IP (Port 9100), HTTP, FTP, TFTP, Enhanced IP (Port 9400), IPP 1.1 (Internet Printing Protocol), NDPS/NEPS (Novell Distributed Print Services, Novell Netware Enterprise Print Services)

Network Protocol Support

UDP, TCP, AppleTalk™, TCP/IP IPv4, TCP/IP IPv6

Network Security

IPSec, 802.1x Authentication: MD5, MSCHAPv2, LEAP, PEAP, TLS, TTLS, SNMPv3

Printer Languages (Standard)

AirPrint™, Direct Image, xHTML, Personal Printer Data Stream (PPDS), PCL 5c Emulation, PCL 6 Emulation, PostScript 3 Emulation, PDF 1.6, Microsoft XPS (XML Paper Specification)

Supplies Yield

20,000*-page (CMYK) Extra High Yield Print Cartridges, 6,000*-page (CMYK) Print Cartridges

Cartridge(s) Shipping with Product

11,000*-page color (CMY) Starter Return Program Print Cartridges, 8,500*-page Black Starter Return Program Print Cartridge

Packaged Size (mm - H x W x D)

1092 x 760 x 700 mm

Size (mm - H x W x D)

647 x 566 x 512 mm

Packaged Size (in. - H x W x D)

43 x 29.92 x 27.56 in.

Size (in. - H x W x D)

25.5 x 22.3 x 20.2 in.

Size, Trays Extended (mm - H x W x D)

647 x 693 x 512 mm

Weight (kg)

59.5 kg

Size, Trays Extended (in. - H x W x D)

25.5 x 27.3 x 20.2 in.

Weight (lb.)

131 lb.

Noise Level, Idle

25 dBA

Print Noise Level, Operating

52 dBA

Product Warranty

1-Year Onsite Service, Next Business Day

Product Certifications

Energy Star, Blue Angel (RAL-UZ-122), EN/IEC 60825-1 (Class 1 Laser Product), CAN/CSA-C22.2 60950-1-07, ICES-003 Class A, US FDA, BSMI Class A, CNS 13438, VCCI Class A, FCC Class A, UL 60950-1, EN/IEC 60320-1, NOM-019-SCFI-1998, CE Class A, CB IEC 60950-1, EN 60950-1, EN/IEC 61000-3, EN 55022 Class A, EN 55024, GS (TÜV), SAT, SABS, ZIK, KPSIM, Bel GISS, GOST-R 'Cpt' Mark, N Mark, UL AR, CS, TÜV Rh, ACMA A-tick mark Class A, AS/NZS 60950-1, CCC Class A, CISPR 22 Class A, MIC Mark, EK-K60950, PSB

Maximum Monthly Duty Cycle

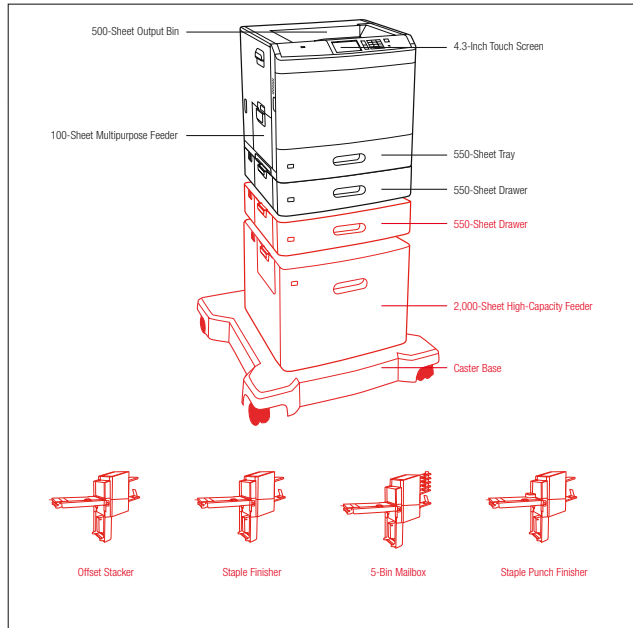
Up to 150,000 pages per month

Recommended Monthly Page Volume

2500 - 17,000 pages

Specified Operating Environment

Altitude: 0 - 3048 Meters (10,000 Feet), Temperature: 16 to 32°C (60 to 90°F), Humidity: 8 to 80% Relative Humidity



Standard
 Optional

| Part # | Model |
|---------|-----------------|
| 47B0002 | Lexmark C792dte |

| Part # | Laser Toner/Print Cartridge |
|----------|--|
| C792X1KG | C792 Black Extra High Yield Return Program Print Cartridge |
| C792X1CG | C792 Cyan Extra High Yield Return Program Print Cartridge |
| C792X1MG | C792 Magenta Extra High Yield Return Program Print Cartridge |
| C792X1YG | C792 Yellow Extra High Yield Return Program Print Cartridge |
| C792A1KG | C792, X792 Black Return Program Print Cartridge |
| C792A1CG | C792, X792 Cyan Return Program Print Cartridge |
| C792A1MG | C792, X792 Magenta Return Program Print Cartridge |
| C792A1YG | C792, X792 Yellow Return Program Print Cartridge |
| C792X2KG | C792 Black Extra High Yield Print Cartridge |
| C792X2CG | C792 Cyan Extra High Yield Print Cartridge |
| C792X2MG | C792 Magenta Extra High Yield Print Cartridge |
| C792X2YG | C792 Yellow Extra High Yield Print Cartridge |
| C792X77G | C792, X792 Waste Toner Bottle |
| 25A0013 | Staple Cartridges (3 pack) |

| Part # | Paper Handling |
|---------|--|
| 47B0110 | C792, X792 550-Sheet Drawer |
| 47B0111 | C792, X792 2000-Sheet High Capacity Feeder |
| 47B1101 | C792, X792 5-Bin Mailbox |
| 47B1102 | C792, X792 500-Sheet Offset Stacker |
| 47B1100 | C792, X792 500-Sheet Staple Finisher |
| 47B1103 | C792, X792 500-Sheet Staple, Hole Punch Finisher |
| 47B0112 | C792, X792 Spacer |
| 47B0113 | C792 Banner Media Tray |

| Part # | Furniture |
|---------|------------------------|
| 47B0114 | C792, X792 Caster Base |

| Part # | Memory Options |
|---------|-------------------------------|
| 1025041 | 256MB DDR2-DRAM |
| 1025042 | 512MB DDR2-DRAM |
| 1025043 | 1024MB DDR2-DRAM |
| 14F0245 | 256MB Flash Card |
| 27X0014 | 160+ GB Hard Disk |
| 30G0287 | Arabic Font Card |
| 30G0828 | Japanese Font Card |
| 30G0825 | Korean Font Card |
| 30G0826 | Simplified Chinese Font Card |
| 30G0827 | Traditional Chinese Font Card |

| Part # | Application Solutions |
|---------|-----------------------------------|
| 47B1115 | C792 Card for PRESCRIBE Emulation |
| 47B1113 | C792 Forms and Bar Code Card |
| 47B1114 | C792 Card for IPDS |
| 57X9000 | Lexmark PrintCryption Card |

| Part # | Connectivity |
|---------|---|
| 27X0025 | MarkNet N8250 802.11b/g/n Wireless Print Server |

| | |
|---------|---|
| 14F0037 | MarkNet N8120 Gigabit Ethernet Print Server |
| 14F0042 | MarkNet N8130 Fiber Ethernet 100BaseFX, 10BaseFL Print Server |
| 14T0220 | MarkNet™ N7020e Gigabit Ethernet Print Server |
| 1021294 | USB Cable (2-meter) |
| 14F0000 | Parallel 1284-B Interface Card |
| 1021231 | Parallel Cable (10-foot) |
| 14F0100 | RS-232C Serial Interface Card |

| Part # | Extended Warranties |
|---------|---|
| 2353754 | C792 2-Years Total Onsite Service, Next Business Day |
| 2353755 | C792 3-Years Total Onsite Service, Next Business Day |
| 2353756 | C792 4-Years Total Onsite Service, Next Business Day |
| 2353757 | C792 5-Years Total Onsite Service, Next Business Day |
| 2353758 | C792 1-Year Onsite Service Renewal, Next Business Day |

| Part # | User Replaceable Parts |
|---------|--|
| 40X7100 | C792, X792 Fuser Maintenance Kit 110-120V |
| 40X7103 | C792, X792 Transfer module Maintenance Kit |

| Part # | Service Parts |
|---------|-------------------------------|
| 40X6104 | Pick Tire for Trays |
| 40X7178 | MPF Pick Tires and Wear Strip |

| Part # | Installation Service |
|---------|----------------------------------|
| 2353761 | C792 Install, De-Install Service |



Lexmark C792dhe

Outstanding media handling, two-sided printing and an intuitive color touch screen are combined in this solutions-focused workgroup color laser printer with additional memory and hard disk standard.

Print Technology

Color Laser

Function

Color Printing

Display

Lexmark e-Task 4.3-inch (10.9 cm) color touch screen

Print Speed (Letter, Black)

Up to 50 ppm

Print Speed (Letter, Color)

Up to 50 ppm

Print Speed (Letter, Black) Duplex

Up to 50 ppm

Time to First Page (Black)

As fast as 8 seconds

Time to First Page (Color)

As fast as 8.5 seconds

Print Resolution, Black

4800 Color Quality (2400 x 600 dpi), 1200 x 1200 dpi

Print Resolution, Color

4800 Color Quality (2400 x 600 dpi), 1200 x 1200 dpi

Memory, Standard

1024 MB

Memory, Maximum

1536 MB

Hard Disk

Included in configuration

Expandable Memory Options

Yes

Apple Macintosh Operating Systems Supported

Mac OS X

Linux Operating Systems Supported

Fedora 12, 13, Red Hat Enterprise Linux WS 4.0, 5.0, SUSE Linux Enterprise Desktop 10, 11, Debian GNU/Linux 5.0, SUSE Linux Enterprise Server 10, 11, openSUSE 11.0, 11.1, Red Flag Linux Desktop 6.0, Ubuntu 9.04, 9.10, 10.04, Linpus Linux Desktop 9.6

Microsoft Windows Operating Systems Supported

Server 2008 R2 running Terminal Services, Server 2008 R2, Windows 7 x64, Server 2008 x64, Vista x64, Server 2003 x64 running Terminal Services, Server 2003 running Terminal Services, Server 2003, XP, XP x64, Server 2003 x64, Vista, Server 2008, Server 2008 running Terminal Services, Server 2008 x64 running Terminal Services, Windows 7

Novell Operating Systems Supported

Open Enterprise Server on SUSE Linux Enterprise Server, NetWare 5.1 (SP 6+), 6.0 (SP 3+) with Novell Distributed Print Services (NDPS), NetWare 6.5 Open Enterprise Server

UNIX Operating Systems Supported

Sun openSolaris x86 2010.02, Sun Solaris SPARC 8, 9, 10, Sun Solaris x86 10, Sun openSolaris SPARC 2010.02, HP-UX 11.11, 11.23, 11.31, IBM AIX 5.2, 5.3, 6.1

Paper Handling Standard

3 x 550-Sheet Drawers, 500-Sheet Output Bin, Integrated Duplex, 550-Sheet Input Tray, 100-Sheet Multipurpose Feeder

Paper Handling Optional

500-Sheet Staple Punch Finisher, 500-Sheet Staple Finisher, Banner Media Tray, 5-Bin Mailbox, 500-Sheet Offset Stacker

Paper Input Capacity, Standard: Up to

2300 pages 20 lb or 75 gsm bond

Paper Input Capacity, Maximum: Up to

2300 pages 20 lb or 75 gsm bond

Paper Output Capacity, Standard: Up to

500 pages 20 lb or 75 gsm bond

Paper Output Capacity, Maximum: Up to

1000 pages 20 lb or 75 gsm bond

Finishing Option

Yes

Number of Paper Inputs, Standard

5

Number of Paper Inputs, Maximum

5

Media Types Supported

Banner Paper, Integrated Labels, Card Stock, Dual Web Labels, Envelopes, Glossy Paper, Paper Labels, Refer to the Card Stock & Label Guide, Transparencies, Polyester Labels, Plain Paper, Vinyl Labels, Outdoor Media

Media Sizes Supported

Universal, Statement, Letter, Legal, DL Envelope, B5 Envelope, A4, 7/4 Envelope, 10 Envelope, 9 Envelope, A5, C5 Envelope, Executive, Folio, JIS-B5

Standard Ports

Ethernet 10/100/1000 BaseTX (RJ-45), Rear USB 2.0 Specification Hi-Speed Certified Port (Type A), Front USB 2.0 Specification Hi-Speed Certified Port (Type A), USB 2.0 Specification Hi-Speed Certified (Type B)

Optional Network Ports

Internal MarkNet™ N8250 802.11b/g/n Wireless, Internal MarkNet™ N8120 Gigabit Ethernet, External MarkNet™ N7020e Gigabit Ethernet, Internal MarkNet™ N8130 Fiber Fast Ethernet

Optional Local Ports

Internal 1284-B Bidirectional Parallel, Internal RS-232C serial

Network Printing Methods

ThinPrint™ print integration, LPR/LPD, Direct IP (Port 9100), HTTP, FTP, TFTP, Enhanced IP (Port 9400), IPP 1.1 (Internet Printing Protocol), NDPS/NEPS (Novell Distributed Print Services), Novell Network Enterprise Print Services)

Network Protocol Support

UDP, TCP, AppleTalk™, TCP/IP IPv4, TCP/IP IPv6

Network Security

IPsec, 802.1x Authentication: MD5, MSCHAPv2, LEAP, PEAP, TLS, TTLS, SNMPv3

Printer Languages (Standard)

AirPrint™, Direct Image, xHTML, Personal Printer Data Stream (PPDS), PCL 5c Emulation, PCL 6 Emulation, PostScript 3 Emulation, PDF 1.6, Microsoft XPS (XML Paper Specification)

Supplies Yield

20,000*-page (CMYK) Extra High Yield Print Cartridges, 6,000*-page (CMYK) Print Cartridges

Cartridge(s) Shipping with Product

11,000*-page color (CMY) Starter Return Program Print Cartridges, 8,500*-page Black Starter Return Program Print Cartridge

Packaged Size (mm - H x W x D)

1092 x 760 x 700 mm

Size (mm - H x W x D)

1028 x 663 x 657 mm

Packaged Size (in. - H x W x D)

43 x 29.92 x 27.56 in.

Size (in. - H x W x D)

40.5 x 26.1 x 25.9 in.

Size, Trays Extended (mm - H x W x D)

1028 x 743 x 657 mm

Weight (kg)

105 kg

Size, Trays Extended (in. - H x W x D)

40.5 x 29.3 x 25.9 in.

Weight (lb.)

231 lb.

Noise Level, Idle

25 dBA

Print Noise Level, Operating

52 dBA

Product Warranty

1-Year Onsite Service, Next Business Day

Product Certifications

Energy Star, Blue Angel (RAL-UZ-122), EN/IEC 60825-1 (Class 1 Laser Product), CAN/CSA-C22.2 60950-1-07, ICES-003 Class A, US FDA, BSMI Class A, CNS 13438, VCCI Class A, FCC Class A, UL 60950-1, EN/IEC 60320-1, NOM-019-SCFI-1998, CE Class A, CB IEC 60950-1, EN 60950-1, EN/IEC 61000-3, EN 55022 Class A, EN 55024, GS (TUV), SAT, SABS, ZIK, KPSIM, Bel GISS, GOST-R 'Cpt' Mark, N Mark, UL AR, CS, TÜV Rh, ACMA A-tick mark Class A, AS/NZS 60950-1, CCC Class A, CISPR 22 Class A, MIC Mark, EK-K60950, PSB

Maximum Monthly Duty Cycle

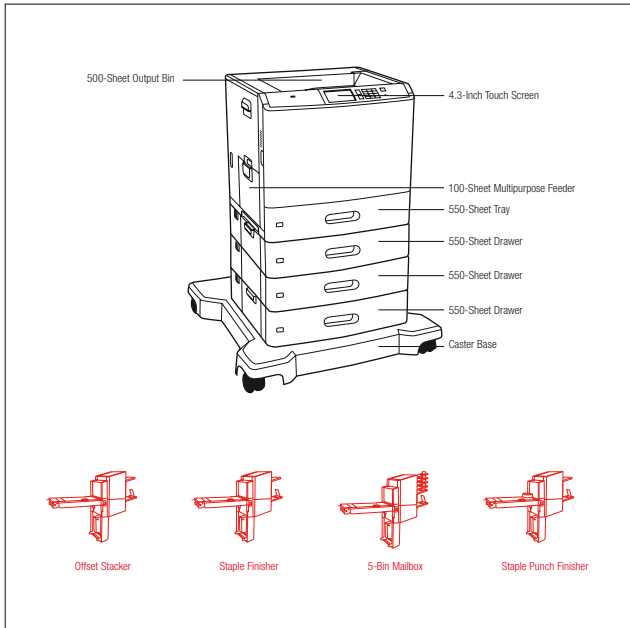
Up to 150,000 pages per month

Recommended Monthly Page Volume

2500 - 17,000 pages

Specified Operating Environment

Altitude: 0 - 3048 Meters (10,000 Feet), Temperature: 16 to 32°C (60 to 90°F), Humidity: 8 to 80% Relative Humidity



Standard
 Optional

COLOR LASER

| Part # | Model |
|---------|-----------------|
| 47B0003 | Lexmark C792dhe |

| Part # | Laser Toner/Print Cartridge |
|----------|--|
| C792X1KG | C792 Black Extra High Yield Return Program Print Cartridge |
| C792X1CG | C792 Cyan Extra High Yield Return Program Print Cartridge |
| C792X1MG | C792 Magenta Extra High Yield Return Program Print Cartridge |
| C792X1YG | C792 Yellow Extra High Yield Return Program Print Cartridge |
| C792A1KG | C792, X792 Black Return Program Print Cartridge |
| C792A1CG | C792, X792 Cyan Return Program Print Cartridge |
| C792A1MG | C792, X792 Magenta Return Program Print Cartridge |
| C792A1YG | C792, X792 Yellow Return Program Print Cartridge |
| C792X2KG | C792 Black Extra High Yield Print Cartridge |
| C792X2CG | C792 Cyan Extra High Yield Print Cartridge |
| C792X2MG | C792 Magenta Extra High Yield Print Cartridge |
| C792X2YG | C792 Yellow Extra High Yield Print Cartridge |
| C792X77G | C792, X792 Waste Toner Bottle |
| 25A0013 | Staple Cartridges (3 pack) |

| Part # | Paper Handling |
|---------|--|
| 47B1101 | C792, X792 5-Bin Mailbox |
| 47B1102 | C792, X792 500-Sheet Offset Stacker |
| 47B1100 | C792, X792 500-Sheet Staple Finisher |
| 47B1103 | C792, X792 500-Sheet Staple, Hole Punch Finisher |
| 47B0113 | C792 Banner Media Tray |

| Part # | Memory Options |
|---------|-------------------------------|
| 1025041 | 256MB DDR2-DRAM |
| 1025042 | 512MB DDR2-DRAM |
| 1025043 | 1024MB DDR2-DRAM |
| 14F0245 | 256MB Flash Card |
| 30G0287 | Arabic Font Card |
| 30G0828 | Japanese Font Card |
| 30G0825 | Korean Font Card |
| 30G0826 | Simplified Chinese Font Card |
| 30G0827 | Traditional Chinese Font Card |

| Part # | Application Solutions |
|---------|-----------------------------------|
| 47B1115 | C792 Card for PRESCRIBE Emulation |
| 47B1113 | C792 Forms and Bar Code Card |
| 47B1114 | C792 Card for IPDS |
| 57X9000 | Lexmark PrintCryption Card |

| Part # | Connectivity |
|---------|---|
| 27X0025 | MarkNet N8250 802.11b/g/n Wireless Print Server |
| 14F0037 | MarkNet N8120 Gigabit Ethernet Print Server |
| 14F0042 | MarkNet N8130 Fiber Ethernet 100BaseFX, 10BaseFL Print Server |
| 14T0220 | MarkNet™ N7020e Gigabit Ethernet Print Server |
| 1021294 | USB Cable (2-meter) |
| 14F0000 | Parallel 1284-B Interface Card |

| | |
|---------|-------------------------------|
| 1021231 | Parallel Cable (10-foot) |
| 14F0100 | RS-232C Serial Interface Card |

| Part # | Extended Warranties |
|---------|---|
| 2353754 | C792 2-Years Total Onsite Service, Next Business Day |
| 2353755 | C792 3-Years Total Onsite Service, Next Business Day |
| 2353756 | C792 4-Years Total Onsite Service, Next Business Day |
| 2353757 | C792 5-Years Total Onsite Service, Next Business Day |
| 2353758 | C792 1-Year Onsite Service Renewal, Next Business Day |

| Part # | User Replaceable Parts |
|---------|--|
| 40X7100 | C792, X792 Fuser Maintenance Kit 110-120V |
| 40X7103 | C792, X792 Transfer module Maintenance Kit |

| Part # | Service Parts |
|---------|-------------------------------|
| 40X6104 | Pick Tire for Trays |
| 40X7178 | MPF Pick Tires and Wear Strip |

| Part # | Installation Service |
|---------|----------------------------------|
| 2353761 | C792 Install, De-Install Service |

Lexmark C925de



The Lexmark C925de color printer delivers outstanding A3 color printing, easy-to-use features and productivity solutions, all through an affordable, compact design.

Paper Technology

Color LED

Display

Lexmark e-Task 4.3-inch (10.9 cm) color touch screen

Print Speed (Letter, Black)

Up to 30 ppm

Print Speed (Letter, Color)

Up to 30 ppm

Print Speed (Letter, Black) Duplex

Up to 26 spm

Time to First Page (Black)

As fast as 9 seconds

Time to First Page (Color)

As fast as 11 seconds

Print Resolution, Black

600 x 600 dpi, 1200 Image Quality

Print Resolution, Color

600 x 600 dpi, 1200 Image Quality

Processor

800 MHz

Memory, Standard

256 MB

Memory, Maximum

1280 MB

Hard Disk

Option available

Expandable Memory Options

Yes

Apple Macintosh Operating Systems Supported

Mac OS X

Linux Operating Systems Supported

Fedora 12, 13, SUSE Linux Enterprise Desktop 10, 11, Debian GNU/Linux 5.0, Linspire Linux 6.0, SUSE Linux Enterprise Server 10, 11, openSUSE 11.0, 11.1, Ubuntu 9.04, 9.10, 10.04, Linpus Linux Desktop 9.6, Red Hat Enterprise Linux WS 4.0, 5.0, Red Flag Linux Desktop 6.0

Microsoft Windows Operating Systems Supported

Server 2008 R2 running Terminal Services, Server 2008 R2, Windows 7 x64, Server 2008 x64, Vista x64, Server 2003 x64 running Terminal Services, 2000 Server running Terminal Services, XP x64, 2000, XP, Server 2003, Server 2003 running Terminal Services, Server 2003 x64, Vista, Server 2008, Server 2008 running Terminal Services, Server 2008 x64 running Terminal Services, Windows 7

Novell Operating Systems Supported

Open Enterprise Server on SUSE Linux Enterprise Server, NetWare 5.1 (SP 6+), 6.0 (SP 3+) with Novell Distributed Print Services (NDPS), NetWare 6.5 Open Enterprise Server

UNIX Operating Systems Supported

Sun openSolaris x86 2010.02, IBM AIX 5.2, 5.3, 6.1, HP-UX 11.11, 11.23, 11.31, Sun Solaris SPARC 8, 9, 10, Sun Solaris x86 10, Sun openSolaris SPARC 2010.02

Paper Handling Standard

50-Sheet Multipurpose Feeder, 150-Sheet Input Tray, 250-Sheet Output Bin, 250-Sheet Input Tray, Integrated Duplex

Paper Handling Option

550-Sheet Drawer

Paper Input Capacity, Standard: Up to

450 pages 20 lb or 75 gsm bond

Paper Input Capacity, Maximum: Up to

2100 pages 20 lb or 75 gsm bond

Paper Output Capacity, Standard: Up to

250 pages 20 lb or 75 gsm bond

Paper Output Capacity, Maximum: Up to

250 pages 20 lb or 75 gsm bond

Finishing Option

No

Number of Paper Inputs, Standard

3

Number of Paper Inputs, Maximum

6

Media Types Supported

Refer to the Card Stock & Label Guide, Card Stock, Envelopes, Transparencies, Labels, Plain Paper

Media Sizes Supported

A6, Oficio, Universal, Statement, JIS-B5, Folio, DL Envelope, B5 Envelope, A4, 10 Envelope, 7/34 Envelope, 9 Envelope, A3, A5, C5 Envelope, Executive, JIS-B4, Ledger, Legal, Letter

Standard Ports

Ethernet 10/100/1000 BaseTX (RJ-45), Front USB 2.0 Specification Hi-Speed Certified Port (Type A), USB 2.0 Specification Hi-Speed Certified (Type B)

Optional Network Ports

Internal MarkNet™ N8250 802.11b/g/n Wireless, Internal MarkNet™ N8130 Fiber Fast Ethernet, External MarkNet™ N7020e Gigabit Ethernet, Internal MarkNet™ N8120 Gigabit Ethernet

Optional Local Ports

Internal 1284-B Bidirectional Parallel, Internal RS-232C serial

Network Printing Methods

ThinPrint .print integration, LPR/LPD, Direct IP (Port 9100), HTTP, NDS Queue-based Printing, FTP, FFTP, Enhanced IP (Port 9400), IPP 1.1 (Internet Printing Protocol), NDPS/NEPS (Novell Distributed Print Services, Novell Netware Enterprise Print Services)

Network Protocol Support

UDP, TCP, AppleTalk™, TCP/IP IPv4, TCP/IP IPv6

Network Security

IPSec, 802.1x Authentication: MD5, MSCHAPv2, LEAP, PEAP, TLS, TTLS, SNMPv3

Printer Languages (Standard)

AirPrint™, Microsoft XPS (XML Paper Specification), PDF 1.6, PostScript 3 Emulation, PCL 6 Emulation, PCL 5c Emulation, Personal Printer Data Stream (PPDS), xHTML, Direct Image

Supplies Yield

8,500*-page Black High Yield Toner Cartridge, 7,500*-page Color (CMY) High Yield Toner Cartridges

Cartridge(s) Shipping with Product

8,500*-page Black High Yield Toner Cartridge, 7,500*-page

Color (CMY) High Yield Toner Cartridges

Packaged Size (mm - H x W x D)

1192 x 680 x 749 mm

Size (mm - H x W x D)

420 x 622 x 557 mm

Packaged Size (in. - H x W x D)

46.9 x 26.77 x 29.49 in.

Size (in. - H x W x D)

16.54 x 24.49 x 21.93 in.

Size, Trays Extended (mm - H x W x D)

420 x 864 x 938 mm

Weight (kg)

48.3 kg

Size, Trays Extended (in. - H x W x D)

16.54 x 34.0 x 36.93 in.

Weight (lb.)

106.5 lb.

Noise Level, Idle

39 dBA

Print Noise Level, Operating

53 dBA

Product Warranty

1-Year Onsite Service, Next Business Day

Product Certifications

Energy Star, CAN/CSA-C22.2 60950-1-07, ICES-003 Class A, US FDA, BSMI Class A, CNS 13438, VCCI Class A, FCC Class A, UL 60950-1, EN/IEC 60320-1, NOM-019-SCFI-1998, CE Class A, CB IEC 60950-1, EN 60950-1, EN/IEC 61000-3, EN 55022 Class A, EN 55024, GS (TÜV), SAT, SABS, ZIK, KPSIM, Bel GISS, GOST-R "Opt" Mark, N Mark, UL AR, CS, TÜV Rh, ACMA A-tick mark Class A, AS/NZS 60950-1, CCC Class A, CISPIR 22 Class A, MIC Mark, EK-K60950, PSB

Maximum Monthly Duty Cycle

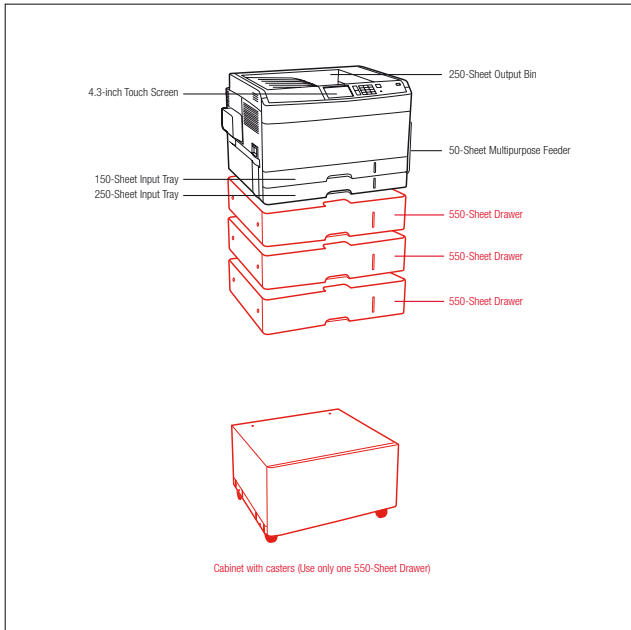
Up to 200000 pages per month

Recommended Monthly Page Volume

2500 - 10000 pages

Specified Operating Environment

Altitude: 0 - 2300 Meters (7,545 Feet), Humidity: 20 to 80% Relative Humidity, Temperature: 10 to 32°C (50 to 90°F)



Standard
 Optional

| Part # | Model |
|---------|----------------|
| 24Z0000 | Lexmark C925de |

| Part # | Laser Toner/Print Cartridge |
|----------|---|
| C925H2KG | C925 Black High Yield Toner Cartridge |
| C925H2CG | C925 Cyan High Yield Toner Cartridge |
| C925H2MG | C925 Magenta High Yield Toner Cartridge |
| C925H2YG | C925 Yellow High Yield Toner Cartridge |
| C925X72G | C925, X925 Black Imaging Unit |
| C925X73G | C925, X925 Cyan Imaging Unit |
| C925X74G | C925, X925 Magenta Imaging Unit |
| C925X75G | C925, X925 Yellow Imaging Unit |
| C925X76G | C925, X925 Waste Toner Bottle |

| Part # | Paper Handling |
|---------|-----------------------------|
| 24Z0030 | C925, X925 550-Sheet Drawer |

| Part # | Furniture |
|---------|---------------------------------|
| 24Z0031 | C925, X925 Cabinet with casters |

| Part # | Memory Options |
|---------|-------------------------------|
| 1025041 | 256MB DDR2-DRAM |
| 1025042 | 512MB DDR2-DRAM |
| 1025043 | 1024MB DDR2-DRAM |
| 14F0245 | 256MB Flash Card |
| 27X0014 | 160+ GB Hard Disk |
| 30G0287 | Arabic Font Card |
| 30G0828 | Japanese Font Card |
| 30G0825 | Korean Font Card |
| 30G0826 | Simplified Chinese Font Card |
| 30G0827 | Traditional Chinese Font Card |

| Part # | Application Solutions |
|---------|-----------------------------------|
| 24Z0040 | C925 Card for PRESCRIBE Emulation |
| 24Z0038 | C925 Forms and Bar Code Card |
| 24Z0039 | C925 Card for IPDS |
| 57X9000 | Lexmark PrintCryption Card |

| Part # | Connectivity |
|---------|--|
| 1021294 | USB Cable (2-meter) |
| 24Z0060 | C925 MarkNet N8120 Gigabit Ethernet Print Server |
| 24Z0061 | C925 MarkNet N8130 Fiber Ethernet 100BaseFX, 10BaseFL Print Server |
| 24Z0062 | C925 MarkNet N8250 802.11b/g/n Wireless Print Server |
| 24Z0065 | C925 Parallel 1284-B Interface Card Kit |
| 1021231 | Parallel Cable (10-foot) |
| 24Z0064 | C925 RS-232C Serial Interface Card Kit |
| 14T0230 | MarkNet™ N7000e Fast Ethernet Print Server - USB |
| 14T0240 | MarkNet™ N7002e Fast Ethernet Print Server - Parallel |
| 14T0220 | MarkNet™ N7020e Gigabit Ethernet Print Server |

| Part # | Extended Warranties |
|---------|--|
| 2353798 | C925 2-Years Total Onsite Service, Next Business Day |

| | |
|---------|---|
| 2353799 | C925 3-Years Total Onsite Service, Next Business Day |
| 2353800 | C925 4-Years Total Onsite Service, Next Business Day |
| 2353801 | C925 5-Years Total Onsite Service, Next Business Day |
| 2353802 | C925 1-Year Onsite Service Renewal, Next Business Day |

| Part # | User Replaceable Parts |
|---------|---|
| 40X6013 | C925, X925 Fuser Maintenance Kit 110-120V |
| 40X6011 | C925, X925 Transfer Belt and Roll |

| Part # | Installation Service |
|---------|----------------------------------|
| 2353805 | C925 Install, De-Install Service |



Lexmark C925dte

The Lexmark C925dte color printer delivers outstanding A3 color printing, easy-to-use features and productivity solutions, all through an affordable, compact design.

Print Technology

Color LED

Display

Lexmark e-Task 4.3-inch (10.9 cm) color touch screen

Print Speed (Letter, Black)

Up to 30 ppm

Print Speed (Letter, Color)

Up to 30 ppm

Print Speed (Letter, Black) Duplex

Up to 26 ppm

Time to First Page (Black)

As fast as 9 seconds

Time to First Page (Color)

As fast as 11 seconds

Print Resolution, Black

600 x 600 dpi, 1200 Image Quality

Print Resolution, Color

600 x 600 dpi, 1200 Image Quality

Processor

800 MHz

Memory, Standard

1280 MB

Memory, Maximum

1280 MB

Hard Disk

Option available

Apple Macintosh Operating Systems Supported

Mac OS X

Linux Operating Systems Supported

Fedora 12, 13, SUSE Linux Enterprise Desktop 10, 11, Debian GNU/Linux 5.0, Linspire Linux 6.0, SUSE Linux Enterprise Server 10, 11, openSUSE 11.0, 11.1, Ubuntu 9.04, 9.10, 10.04, Linpus Linux Desktop 9.6, Red Hat Enterprise Linux WS 4.0, 5.0, Red Flag Linux Desktop 6.0

Microsoft Windows Operating Systems Supported

Server 2008 R2 running Terminal Services, Server 2008 R2, Windows 7 x64, Server 2008 x64, Vista x64, Server 2003 x64 running Terminal Services, 2000 Server running Terminal Services, XP x64, 2000, XP, Server 2003, Server 2003 running Terminal Services, Server 2003 x64, Vista, Server 2008, Server 2008 running Terminal Services, Server 2008 x64 running Terminal Services, Windows 7

Novell Operating Systems Supported

Open Enterprise Server on SUSE Linux Enterprise Server, NetWare 5.1 (SP 6+), 6.0 (SP 3+) with Novell Distributed Print Services (NDPS), NetWare 6.5 Open Enterprise Server

UNIX Operating Systems Supported

Sun openSolaris x86 2010.02, IBM AIX 5.2, 5.3, 6.1, HP-UX 11.11, 11.23, 11.31, Sun Solaris SPARC 8, 9, 10, Sun Solaris x86 10, Sun openSolaris SPARC 2010.02

Paper Handling Standard

50-Sheet Multipurpose Feeder, Integrated Duplex, 150-Sheet Input Tray, 250-Sheet Output Bin, 250-Sheet Input Tray, 550-Sheet Drawer

Paper Handling Optional

550-Sheet Drawer

Paper Input Capacity, Standard: Up to

1000 pages 20 lb or 75 gsm bond

Paper Input Capacity, Maximum: Up to

2100 pages 20 lb or 75 gsm bond

Paper Output Capacity, Standard: Up to

250 pages 20 lb or 75 gsm bond

Paper Output Capacity, Maximum: Up to

250 pages 20 lb or 75 gsm bond

Finishing Option

No

Number of Paper Inputs, Standard

4

Number of Paper Inputs, Maximum

6

Media Types Supported

Refer to the Card Stock & Label Guide, Card Stock, Envelopes, Transparencies, Labels, Plain Paper

Media Sizes Supported

A6, Oficio, Universal, Statement, JIS-B5, Folio, DL Envelope, B5 Envelope, A4, 10 Envelope, 7/34 Envelope, 9 Envelope, A3, A5, C5 Envelope, Executive, JIS-B4, Ledger, Legal, Letter

Standard Ports

Ethernet 10/100/1000 BaseTX (RJ-45), Front USB 2.0 Specification Hi-Speed Certified Port (Type A), USB 2.0 Specification Hi-Speed Certified (Type B)

Optional Network Ports

Internal MarkNet™ N8250 802.11b/g/n Wireless, Internal MarkNet™ N8130 Fiber Fast Ethernet, External MarkNet™ N7020e Gigabit Ethernet, Internal MarkNet™ N8120 Gigabit Ethernet

Optional Local Ports

Internal 1284-B Bidirectional Parallel, Internal RS-232C serial

Network Printing Methods

ThinPrint .print integration, LPR/LPD, Direct IP (Port 9100), HTTP, NDS Queue-based Printing, FTP, FTPT, Enhanced IP (Port 9400), IPP 1.1 (Internet Printing Protocol), NDPS/NEPS (Novell Distributed Print Services, Novell Network Enterprise Print Services)

Network Protocol Support

UDP, TCP, AppleTalk™, TCP/IP IPv4, TCP/IP IPv6

Network Security

IPSec, 802.1x Authentication: MD5, MSCHAPv2, LEAP, PEAP, TLS, TTLS, SNMPv3

Printer Languages (Standard)

AirPrint™, Microsoft XPS (XML Paper Specification), PDF 1.6, PostScript 3 Emulation, PCL 6 Emulation, PCL 5c Emulation, Personal Printer Data Stream (PPDS), xHTML, Direct Image

Supplies Yield

8,500*-page Black High Yield Toner Cartridge, 7,500*-page Color (CMY) High Yield Toner Cartridges

Cartridge(s) Shipping with Product

8,500*-page Black High Yield Toner Cartridge, 7,500*-page

Color (CMY) High Yield Toner Cartridges

Packaged Size (mm - H x W x D)

1191 x 680 x 749 mm

Size (mm - H x W x D)

555 x 622 x 557 mm

Packaged Size (in. - H x W x D)

46.9 x 26.77 x 29.49 in.

Size (in. - H x W x D)

21.86 x 24.49 x 21.93 in.

Size, Trays Extended (mm - H x W x D)

555 x 864 x 938 mm

Weight (kg)

62.3 kg

Size, Trays Extended (in. - H x W x D)

21.86 x 34.0 x 36.93 in.

Weight (lb.)

137.3 lb.

Noise Level, Idle

39 dBA

Print Noise Level, Operating

53 dBA

Product Warranty

1-Year Onsite Service, Next Business Day

Product Certifications

Energy Star, CAN/CSA-C22.2 60950-1-07, ICES-003 Class A, US FDA BSMI Class A, CNS 13438, VCCI Class A, FCC Class A, UL 60950-1, EN/IEC 60320-1, NOM-019-SCFI-1998, CE Class A, CB IEC 60950-1, EN 60950-1, EN/IEC 61000-3, EN 55022 Class A, EN 55024, GS (TÜV), SAT, SABS, ZIK, KPSIM, Bel GISS, GOST-R "Opt" Mark, N Mark, UL AR, CS, TÜV Rh, ACMA A-tick mark Class A, AS/NZS 60950-1, CCC Class A, CISPIR 22 Class A, MIC Mark, EK-K60950, PSB

Maximum Monthly Duty Cycle

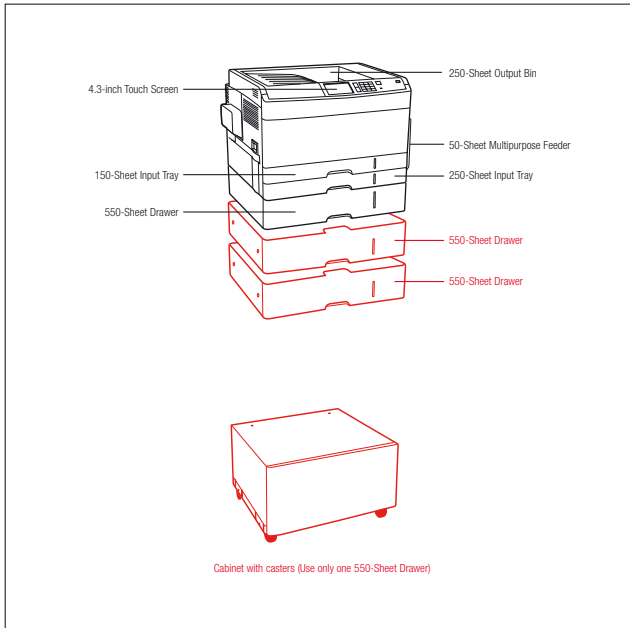
Up to 200000 pages per month

Recommended Monthly Page Volume

2500 - 10000 pages

Specified Operating Environment

Altitude: 0 - 2300 Meters (7,545 Feet), Humidity: 20 to 80% Relative Humidity, Temperature: 10 to 32°C (50 to 90°F)



Standard
 Optional

| | |
|---------------|--|
| Part # | Model |
| 24Z0056 | Lexmark C925dte |
| Part # | Laser Toner/Print Cartridge |
| C925H2KG | C925 Black High Yield Toner Cartridge |
| C925H2CG | C925 Cyan High Yield Toner Cartridge |
| C925H2MG | C925 Magenta High Yield Toner Cartridge |
| C925H2YG | C925 Yellow High Yield Toner Cartridge |
| C925X72G | C925, X925 Black Imaging Unit |
| C925X73G | C925, X925 Cyan Imaging Unit |
| C925X74G | C925, X925 Magenta Imaging Unit |
| C925X75G | C925, X925 Yellow Imaging Unit |
| C925X76G | C925, X925 Waste Toner Bottle |
| Part # | Paper Handling |
| 24Z0030 | C925, X925 550-Sheet Drawer |
| Part # | Furniture |
| 24Z0031 | C925, X925 Cabinet with casters |
| Part # | Memory Options |
| 14F0245 | 256MB Flash Card |
| 27X0014 | 160+ GB Hard Disk |
| 30G0287 | Arabic Font Card |
| 30G0828 | Japanese Font Card |
| 30G0825 | Korean Font Card |
| 30G0826 | Simplified Chinese Font Card |
| 30G0827 | Traditional Chinese Font Card |
| Part # | Application Solutions |
| 24Z0040 | C925 Card for PRESCRIBE Emulation |
| 24Z0038 | C925 Forms and Bar Code Card |
| 24Z0039 | C925 Card for IPDS |
| 57X9000 | Lexmark PrintCryption Card |
| Part # | Connectivity |
| 1021294 | USB Cable (2-meter) |
| 24Z0060 | C925 MarkNet N6120 Gigabit Ethernet Print Server |
| 24Z0061 | C925 MarkNet N6130 Fiber Ethernet 100BaseFX, 10BaseFL Print Server |
| 24Z0062 | C925 MarkNet N8250 802.11b/g/n Wireless Print Server |
| 24Z0065 | C925 Parallel 1284-B Interface Card Kit |
| 1021231 | Parallel Cable (10-foot) |
| 24Z0064 | C925 RS-232C Serial Interface Card Kit |
| 14T0230 | MarkNet™ N7000e Fast Ethernet Print Server - USB |
| 14T0240 | MarkNet™ N7002e Fast Ethernet Print Server - Parallel |
| 14T0220 | MarkNet™ N7020e Gigabit Ethernet Print Server |
| Part # | Extended Warranties |
| 2353798 | C925 2-Years Total Onsite Service, Next Business Day |
| 2353799 | C925 3-Years Total Onsite Service, Next Business Day |

| | |
|---------------|---|
| 2353800 | C925 4-Years Total Onsite Service, Next Business Day |
| 2353801 | C925 5-Years Total Onsite Service, Next Business Day |
| 2353802 | C925 1-Year Onsite Service Renewal, Next Business Day |
| Part # | User Replaceable Parts |
| 40X6013 | C925, X925 Fuser Maintenance Kit 110-120V |
| 40X6011 | C925, X925 Transfer Belt and Roll |
| Part # | Installation Service |
| 2353805 | C925 Install, De-Install Service |

Lexmark C950de



Designed for your busy workgroup, the Lexmark C950de features professional quality A3 color printing, flexible features, outstanding media handling, an intuitive touch screen and easy-to-use workflow solutions.

Print Technology

Color LED

Function

Color Printing

Display

Lexmark e-Task 4.3-inch (10.9 cm) color touch screen

Print Speed (Letter, Black)

Up to 50 ppm

Print Speed (Letter, Color)

Up to 45 ppm

Print Speed (Letter, Black) Duplex

Up to 50 ppm

Time to First Page (Black)

As fast as 5.2 seconds

Time to First Page (Color)

As fast as 7.7 seconds

Print Resolution, Black

2400 Image Quality, 1200 x 1200 dpi

Print Resolution, Color

2400 Image Quality, 1200 x 1200 dpi

Memory, Standard

1024 MB

Memory, Maximum

2048 MB

Hard Disk

Option available

Expandable Memory Options

Yes

Apple Macintosh Operating Systems Supported

Mac OS X

Linux Operating Systems Supported

openSUSE 11.2, 11.3, 11.4, Ubuntu 9.04, 9.10, 10.04, 10.10, Linpus Linux Desktop 9.6, Fedora 12, 13, 14, Red Hat Linux Desktop 6.0, Debian GNU/Linux 5.0, SUSE Linux Enterprise Server 10, 11, SUSE Linux Enterprise Desktop 10, 11, Red Hat Enterprise Linux WS 4.0, 5.0

Microsoft Windows Operating Systems Supported

Server 2008 R2 running Terminal Services, Server 2008 R2, Windows 7 x64, Server 2008 x64, Vista x64, Server 2003 x64 running Terminal Services, Server 2003 running Terminal Services, Server 2003, XP, XP x64, Server 2003 x64, Vista, Server 2008, Server 2008 running Terminal Services, Server 2008 x64 running Terminal Services, Windows 7

Novell Operating Systems Supported

Open Enterprise Server on SUSE Linux Enterprise Server, NetWare 5.1 (SP 6+), 6.0 (SP 3+) with Novell Distributed Print Services (NDPS), NetWare 6.5 Open Enterprise Server

UNIX Operating Systems Supported

IBM AIX 5.2, 5.3, 6.1, HP-UX 11.11, 11.23, 11.31, Sun Solaris SPARC 8, 9, 10, Sun Solaris x86 10

Paper Handling Standard

520-Sheet Input Tray, 100-Sheet Multipurpose Feeder, 500-Sheet Output Bin, Integrated Duplex

Paper Handling Optional

520-Sheet Drawer Stand, 2,520-Sheet Tandem Tray Module, 3 x 520-Sheet Drawer Stand, 2,000-Sheet High-

Capacity Feeder, Banner Media Tray, 3,500-Sheet Finisher, Booklet Finisher

Paper Input Capacity, Standard: Up to

620 pages 20 lb or 75 gsm bond

Paper Input Capacity, Maximum: Up to

5140 pages 20 lb or 75 gsm bond

Paper Output Capacity, Standard: Up to

500 pages 20 lb or 75 gsm bond

Paper Output Capacity, Maximum: Up to

3750 pages 20 lb or 75 gsm bond

Finishing Option

Yes

Number of Paper Inputs, Standard

2

Number of Paper Inputs, Maximum

6

Media Types Supported

Refer to the Card Stock & Label Guide, Glossy Paper, Card Stock, Envelopes, Labels, Transparencies, Plain Paper

Media Sizes Supported

A6, Oficio, Super tabloid, Universal, Ledger, JIS-B4, Executive, C5 Envelope, A4, 10 Envelope, 7/34 Envelope, A3, A5, DL Envelope, Folio, JIS-B5, Legal, Letter, Statement

Standard Ports

Ethernet 10/100/1000 BaseTX (RJ-45), Rear USB 2.0 Specification Hi-Speed Certified Port (Type A), USB 2.0 Specification Hi-Speed Certified (Type B), Front USB 2.0 Specification Hi-Speed Certified Port (Type A)

Optional Network Ports

Internal MarkNet™ N8250 802.11b/g/n Wireless, Internal MarkNet™ N8130 Fiber Fast Ethernet

Optional Local Ports

Internal 1284-B Bidirectional Parallel, Internal RS-232C serial

Network Printing Methods

ThinPrint .print integration, FTP, TFTP, NDPS/NEPS (Novell Distributed Print Services, Novell Network Enterprise Print Services), Direct IP (Port 9100), LPR/LPD, HTTP, Enhanced IP (Port 9400), IPP 1.1 (Internet Printing Protocol)

Network Protocol Support

UDP, TCP/IP IPv4, TCP, AppleTalk™, TCP/IP IPv6

Network Security

IPSec, SNMPv3, 802.1x Authentication: MD5, MSCHAPv2, LEAP, PEAP, TLS, TTLS

Printer Languages (Standard)

AirPrint™, Microsoft XPS (XML Paper Specification), PCL 5c Emulation, PCL 6 Emulation, Personal Printer Data Stream (PPDS), PostScript 3 Emulation, xHTML, PDF 1.6, Direct Image

Supplies Yield

32,000*-page Black Toner Cartridge, 22,000*-page color (CMY) Toner Cartridges

Cartridge(s) Shipping with Product

16,000*-page Black Starter Toner Cartridge, 11,000*-page

Color (CMY) Starter Toner Cartridges

Packaged Size (mm - H x W x D)

707 x 808 x 748 mm

Size (mm - H x W x D)

565 x 640 x 685 mm

Packaged Size (in. - H x W x D)

27.83 x 31.81 x 29.45 in.

Size (in. - H x W x D)

22.24 x 25.20 x 26.97 in.

Size, Trays Extended (mm - H x W x D)

565 x 640 x 1108 mm

Weight (kg)

95.0 kg

Size, Trays Extended (in. - H x W x D)

22.24 x 25.20 x 43.63 in.

Weight (lb.)

209.5 lb.

Noise Level, Idle

22 dBA

Print Noise Level, Operating

53 dBA

Product Warranty

1-Year Onsite Service, Next Business Day

Product Certifications

Energy Star, CAN/CSA-C22.2 60950-1-07, ICES-003 Class A, BSMI Class A, CNS 13438 and 14336, VCCI Class A, FCC Class A, UL 60950-1, EN/IEC 60320-1, NOM-019-SCFI-1998, CB IEC 60950-1, EN 60950-1, EN/IEC 61000-3, EN 55022 Class A, EN 55024, GS (TÜV), SAT, SABS, ZIK, KPSIM, Bel GISS, GOST-R 'Cpt' Mark, N Mark, IRAM, CS, TÜV Rh, ACMA A-tick mark Class A, AS/NZS 60950-1, CCC Class A, GB4943, CISPIR 22 Class A, MIC Mark, EK-K60950, PSB-SS 337

Maximum Monthly Duty Cycle

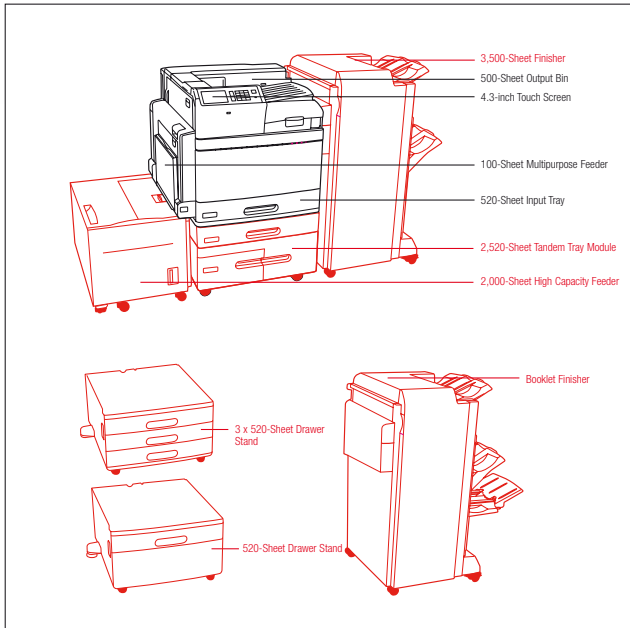
Up to 225,000 pages per month

Recommended Monthly Page Volume

4000 - 33000 pages

Specified Operating Environment

Humidity: 15 to 85% Relative Humidity, Temperature: 10 to 32°C (50 to 90°F), Altitude: 0 - 2500 Meters (8,200 Feet)



Standard
 Optional

COLOR LASER

| Part # | Model |
|---------|----------------|
| 2220000 | Lexmark C950de |

| Part # | Laser Toner/Print Cartridge |
|----------|---|
| C950X2KG | C950 Black Extra High Yield Toner Cartridge |
| C950X2CG | C950 Cyan Extra High Yield Toner Cartridge |
| C950X2MG | C950 Magenta Extra High Yield Toner Cartridge |
| C950X2YG | C950 Yellow Extra High Yield Toner Cartridge |
| C950X71G | C950, X95x Photoconductor Unit 1-Pack |
| C950X73G | C950, X95x Photoconductor Unit 3-Pack |
| C950X76G | C950, X95x Waste Toner Bottle |
| 25A0013 | Staple Cartridges (3 pack) |
| 21Z0357 | Booklet Saddle Staple Cartridges (4 pack) |

| Part # | Paper Handling |
|---------|--|
| 2220014 | C950, X95x 2520-Sheet Tandem Tray Module |
| 2220013 | C950, X95x 3x520-Sheet Drawer Stand |
| 2220012 | C950, X95x 520-Sheet Drawer Stand |
| 2220016 | C950, X95x 3500-Sheet Finisher (3-Hole) |
| 2220017 | C950, X95x Booklet Finisher (3-Hole) |
| 2220015 | C950, X95x 2000-Sheet High Capacity Feeder |

| Part # | Memory Options |
|---------|-------------------------------|
| 1025041 | 256MB DDR2-DRAM |
| 1025042 | 512MB DDR2-DRAM |
| 1025043 | 1024MB DDR2-DRAM |
| 14F0245 | 256MB Flash Card |
| 27X0014 | 160+ GB Hard Disk |
| 30G0287 | Arabic Font Card |
| 30G0828 | Japanese Font Card |
| 30G0825 | Korean Font Card |
| 30G0826 | Simplified Chinese Font Card |
| 30G0827 | Traditional Chinese Font Card |

| Part # | Application Solutions |
|---------|-----------------------------------|
| 2220183 | C950 Card for IPDS |
| 2220184 | C950 Card for PRESCRIBE Emulation |
| 2220182 | C950 Forms and Bar Code Card |
| 57X9000 | Lexmark PrintCryption Card |

| Part # | Connectivity |
|---------|---|
| 27X0025 | MarkNet N8250 802.11b/g/n Wireless Print Server |
| 14F0042 | MarkNet N8130 Fiber Ethernet 100BaseFX, 10BaseFL Print Server |
| 1021294 | USB Cable (2-meter) |
| 14F0000 | Parallel 1284-B Interface Card |
| 1021231 | Parallel Cable (10-foot) |
| 14F0100 | RS-232C Serial Interface Card |

| Part # | Extended Warranties |
|---------|--|
| 2354207 | C950 2-Years Total Onsite Service, Next Business Day |

| | |
|---------|---|
| 2354208 | C950 3-Years Total Onsite Service, Next Business Day |
| 2354209 | C950 4-Years Total Onsite Service, Next Business Day |
| 2354210 | C950 5-Years Total Onsite Service, Next Business Day |
| 2354211 | C950 1-Year Onsite Service Renewal, Next Business Day |

| Part # | User Replaceable Parts |
|---------|--|
| 40X7550 | C950, X95x Fuser Maintenance Kit, 320K, 110-120V |
| 40X7540 | C950, X95x 160K Maintenance Kit |

| Part # | Service Parts |
|---------|---------------------------------|
| 40X7560 | C950, X95x 480K Maintenance Kit |

| Part # | Installation Service |
|---------|----------------------------------|
| 2354214 | C950 Install, De-Install Service |



Lexmark MX310dn

The Lexmark MX310dn is fast—with 2-sided printing, networking and enterprise-worthy processing speeds that tackle printing, copying, faxing and scanning tasks in a flash.

Print Technology

Monochrome Laser

Function

Printing, Network Scanning, Faxing, Copying, Color Scanning

Display

2.4-inch (6 cm) color LCD display

Print Speed (Letter, Black)

Up to 35 ppm

Print Speed (Letter, Black) Duplex

Up to 16 ppm

Time to First Page (Black)

As fast as 6.5 seconds

Copy Speed (Letter, Black)

Up to 35 cpm

Time to First Copy (Black)

As fast as 6.5 seconds

Print Resolution, Black

600 x 600 dpi, 1200 Image Quality, 2400 Image Quality, 1200 x 1200 dpi

ADF Scan

Simplex

Optical Scanning Resolution

1200 X 600 ppi (black), 600 X 600 ppi (color)

Processor

Dual Core, 800 MHz

Memory, Standard

256 MB

Memory, Maximum

256 MB

Hard Disk

Not Available

Expandable Memory Options

No

Apple Macintosh Operating Systems Supported

Mac OS X (10.5, 10.6, 10.7, 10.8)

Linux Operating Systems Supported

Fedora 14, 15, 16, 17, Linpus Linux Desktop 9.6, SUSE Linux Enterprise Server 10, 11, SUSE Linux Enterprise Desktop 10, 11, Red Flag Linux Desktop 6.0, Debian GNU/Linux 5.0, 6.0, Mint 9, 10, 11, 12, openSUSE 11.3, 11.4, 12.1, Ubuntu 11.04, 11.10, 12.04, Red Hat Enterprise Linux WS 4.0, 5.0, 6.0, PCLinuxOS 2011.9

Microsoft Windows Operating Systems Supported

Server 2012, 8, 8 x64, Server 2008 R2 running Terminal Services, Windows 7 x64, Server 2008 R2 running Terminal Services, Windows 2008 x64, Vista x64, XP, Server 2003, XP x64, Server 2003 running Terminal Services, Server 2003 x64, Server 2003 x64 running Terminal Services, Vista, Server 2008, Server 2008 running Terminal Services, Windows 7, Server 2008 R2

Novell Operating Systems Supported

Open Enterprise Server on SUSE Linux Enterprise Server, NetWare 6.5 Open Enterprise Server, NetWare 5.1 (SP 6+), 6.0 (SP 3+) with Novell Distributed Print Services (NDPS)

UNIX Operating Systems Supported

IBM AIX 5.3, 6.1, 7.1, Sun Solaris x86 10, 11, Sun Solaris SPARC 9, 10, HP-UX 11.11, 11.23, 11.31

Included Paper Handling

Integrated Duplex, 150-Sheet Output Bin, 250-Sheet Input, 50-Sheet Multipurpose Feeder

Optional Paper Handling

550-Sheet Tray, 250-Sheet Tray

Paper Input Capacity, Standard: Up to

300 pages 20 lb or 75 gsm bond

Paper Input Capacity, Maximum: Up to

850 pages 20 lb or 75 gsm bond

Paper Output Capacity, Standard: Up to

150 pages 20 lb or 75 gsm bond

Paper Output Capacity, Maximum: Up to

150 pages 20 lb or 75 gsm bond

ADF Paper Input Capacity

Up to 50 pages 20 lb or 75 gsm bond

Finishing Option

No

Number of Paper Inputs, Standard

2

Number of Paper Inputs, Maximum

3

Media Types Supported

Refer to the Card Stock & Label Guide, Plain Paper, Envelopes, Card Stock, Paper Labels, Transparencies

Media Sizes Supported

A6, Oficio, Universal, Statement, Folio, DL Envelope, A4, 7 3/4 Envelope, 10 Envelope, 9 Envelope, A5, Executive, JIS-B5, Legal, Letter

Standard Ports

Ethernet 10/100BaseTX (RJ-45), also works with 1000Base-T, USB 2.0 Specification Hi-Speed Certified (Type B)

Optional Network Ports

MarkNet N8352 802.11b/g/n Wireless, External MarkNet™ N7020e Gigabit Ethernet

Network Printing Methods

IPP 1.0, 1.1, 2.0 (Internet Printing Protocol), Telnet, Direct IP (Port 9100), Enhanced IP (Port 9400), FTP, TFTP, LPR/LPD

Network Protocol Support

UDP, TCP, TCP/IP IPv6, TCP/IP IPv4, AppleTalk™

Network Security

SNMPv3

Printer Languages (Standard)

PDF 1.7 emulation, Microsoft XPS (XML Paper Specification), PostScript 3 Emulation, PCL 6 Emulation, PCL 5e Emulation, Personal Printer Data Stream (PPDS), Direct Image

Reduce / Enlarge Range

25 - 400 %

Scan Area, Maximum

215.9 x 355.6 mm

Scan Area, Maximum

8.5 x 14 inches

Modem Speed

ITU T.30, V.34 Half-Duplex, 33.6 Kbps

Laser Cartridge Yields

10,000*-page High Yield Cartridge, 2,500*-page Cartridge

Cartridge(s) Shipping with Product

2,500*-page Return Program Toner Cartridge

Replacement Cartridges:

Product functions only with replacement cartridges designed for use in a specific geographical region. See www.lexmark.com/regions for more details.

Packaged Size (mm - H x W x D)

571 x 485 x 550 mm

Size (mm - H x W x D)

468 x 399 x 472 mm

Packaged Size (in. - H x W x D)

22.48 x 19.09 x 21.65 in.

Size (in. - H x W x D)

18.4 x 15.7 x 18.6 in.

Weight (kg)

20.0 kg

Weight (lb.)

44.0 lb.

Noise Level, Idle

Inaudible dBA

Print Noise Level, Operating

53 dBA

Copy Noise Level, Operating

54 dBA

Scan Noise Level, Operating

55 dBA

Product Warranty

1-Year Exchange Service, Next Business Day

Product Certifications

Energy Star V1.2, Blue Angel (RAL-UZ-122), CAN/CSA-C22.2 60950-1, CSA E60825-1, ICES-003 Class B, BSMI Class B, CNS 13438, VCCI Class B, US FDA, FCC Class B, UL 60950-1, IEC 320-1, EN/IEC 60320-1, CE Class B, CB IEC 60950-1, EN 62311, EN 60950-1, EN/IEC 61000-3, EN 55022 Class B, EN 55024, EN/IEC 60825-1, GS (TÜV), SEMKO, UL AR, CS, TÜV Rh, SMA C-tick mark Class B, CCC Class B, CISPIR 22 Class B, EK Mark, N Mark, ECMA-370, TED

Maximum Monthly Duty Cycle

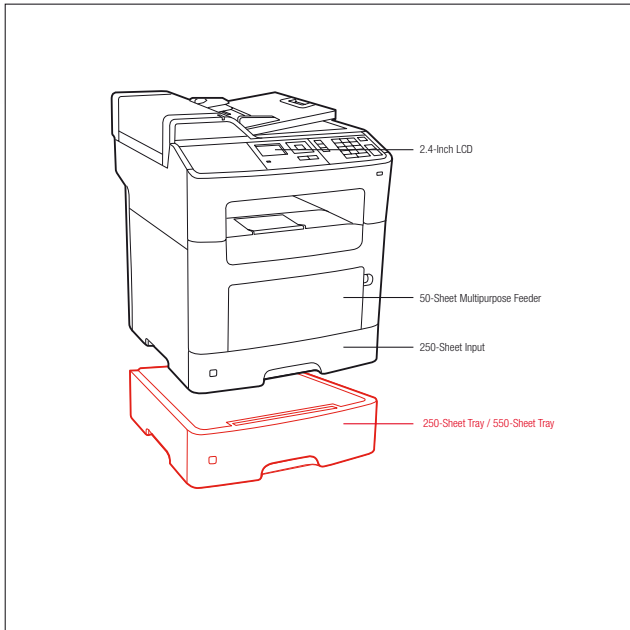
Up to 50,000 pages per month

Recommended Monthly Page Volume

250 - 6,000 pages

Specified Operating Environment

Altitude: 0 - 2896 Meters (9,500 Feet), Humidity: 8 to 80% Relative Humidity, Temperature: 16 to 32°C (60 to 90°F)



Standard
 Optional

| Part # | Model |
|---------|--|
| 35S5700 | Lexmark MX310dn |
| Part # | Laser Toner/Print Cartridge |
| 60F1H00 | 601H High Yield Return Program Toner Cartridge |
| 60F1000 | 601 Return Program Toner Cartridge |
| 60FOHA0 | 600HA High Yield Toner Cartridge |
| 50FOZ00 | 500Z Black Return Program Imaging Unit |
| 50FOZA0 | 500ZA Black Imaging Unit |
| Part # | Paper Handling |
| 35S0567 | 550-Sheet Tray |
| 35S0267 | 250-Sheet Tray |
| Part # | Memory Options |
| 57X9101 | 256MB Flash Memory Card |
| 57X9115 | Japanese Font Card |
| 57X9114 | Korean Font Card |
| 57X9112 | Simplified Chinese Font Card |
| 57X9110 | Traditional Chinese Font Card |
| Part # | Connectivity |
| 1021294 | USB Cable (2-meter) |
| 27X0129 | Lexmark MarkNet 8352 802.11b/g/n Wireless |
| 14T0220 | MarkNet™ N7020e Gigabit Ethernet Print Server |
| Part # | Extended Warranties |
| 2356054 | MX310 2-Years Total (1+1) Exchange Service |
| 2356055 | MX310 3-Years Total (1+2) Exchange Service |
| 2356056 | MX310 4-Years Total (1+3) Exchange Service |
| 2356057 | MX310 5-Years Total (1+4) Exchange Service |
| 2356058 | MX310 1-Year Exchange Service Renewal |
| 2356061 | MX310 Upgrade to Onsite Service |
| 2355488 | MX310 2-Years Total (1+1) Onsite Service |
| 2355489 | MX310 3-Years Total (1+2) Onsite Service |
| 2355490 | MX310 4-Years Total (1+3) Onsite Service |
| 2355491 | MX310 5-Years Total (1+4) Onsite Service |
| 2355492 | MX310 1-Year Onsite Service Renewal |
| Part # | User Replaceable Parts |
| 40X9054 | ADF Input Paper Tray |
| 40X6247 | ADF Separator Pad |



Lexmark MX410de

The Lexmark MX410de does more than help streamline your business with productivity solutions and 2-sided printing—its fast processor, print, copy and scan speeds also save time.

Print Technology

Monochrome Laser

Function

Printing, Network Scanning, Faxing, Copying, Color Scanning

Display

Lexmark e-Task 4.3-inch (10.9 cm) color touch screen

Print Speed (Letter, Black)

Up to 40 ppm

Print Speed (Letter, Black) Duplex

Up to 18 ppm

Time to First Page (Black)

As fast as 6.5 seconds

Copy Speed (Letter, Black)

Up to 40 cpm

Time to First Copy (Black)

As fast as 6.5 seconds

Print Resolution, Black

600 x 600 dpi, 1200 Image Quality, 2400 Image Quality, 1200 x 1200 dpi

ADF Scan

RADF (Reversing Duplex)

Optical Scanning Resolution

1200 X 600 ppi (black), 600 X 600 ppi (color)

Processor

Dual Core, 800 MHz

Memory, Standard

512 MB

Memory, Maximum

2560 MB

Hard Disk

Not Available

Expandable Memory Options

Yes

Apple Macintosh Operating Systems Supported

Mac OS X (10.5, 10.6, 10.7, 10.8)

Linux Operating Systems Supported

Fedora 14, 15, 16, 17, Red Hat Enterprise Linux WS 4.0, 5.0, 6.0, Linpus Linux Desktop 9.6, SUSE Linux Enterprise Server 10, 11, SUSE Linux Enterprise Desktop 10, 11, Red Flag Linux Desktop 6.0, Debian GNU/Linux 5.0, 6.0, Ubuntu 11.04, 11.10, 12.04, Mint 9, 10, 11, 12, PCLinuxOS 2011.9, openSUSE 11.3, 11.4, 12.1

Microsoft Windows Operating Systems Supported

Server 2012, 8 x64, Server 2008 R2, Server 2008 R2 running Terminal Services, 8, Windows 7 x64, Server 2008 x64 running Terminal Services, Server 2008 x64, XP, Server 2003, XP x64, Server 2003 running Terminal Services, Server 2003 x64, Server 2003 x64 running Terminal Services, Vista, Vista x64, Server 2008, Server 2008 running Terminal Services, Windows 7

Novell Operating Systems Supported

Open Enterprise Server on SUSE Linux Enterprise Server, NetWare 5.1 (SP 6+), 6.0 (SP 3+) with Novell Distributed Print Services (NDPS), NetWare 6.5 Open Enterprise Server

UNIX Operating Systems Supported

IBM AIX 5.3, 6.1, 7.1, HP-UX 11.11, 11.23, 11.31, Sun Solaris SPARC 9, 10, Sun Solaris x86 10, 11

Included Paper Handling

Integrated Duplex, 250-Sheet Input, 50-Sheet Multipurpose Feeder, 150-Sheet Output Bin

Optional Paper Handling

550-Sheet Tray, 250-Sheet Tray

Paper Input Capacity, Standard: Up to

300 pages 20 lb or 75 gsm bond

Paper Input Capacity, Maximum: Up to

850 pages 20 lb or 75 gsm bond

Paper Output Capacity, Standard: Up to

150 pages 20 lb or 75 gsm bond

Paper Output Capacity, Maximum: Up to

150 pages 20 lb or 75 gsm bond

ADF Paper Input Capacity

Up to 50 pages 20 lb or 75 gsm bond

Finishing Option

No

Number of Paper Inputs, Standard

2

Number of Paper Inputs, Maximum

3

Media Types Supported

Refer to the Card Stock & Label Guide, Plain Paper, Envelopes, Card Stock, Paper Labels, Transparencies

Media Sizes Supported

A6, Oficio, Universal, Statement, Folio, DL Envelope, A4, 7 3/4 Envelope, 10 Envelope, 9 Envelope, A5, Executive, JIS-B5, Legal, Letter

Standard Ports

Front USB 2.0 Specification Hi-Speed Certified Port (Type A), USB 2.0 Specification Hi-Speed Certified (Type B), Gigabit Ethernet (10/100/1000)

Optional Network Ports

MarkNet N8352 802.11b/g/n Wireless

Network Printing Methods

IPP 1.0, 1.1, 2.0 (Internet Printing Protocol), Enhanced IP (Port 9400), FTP, TFTP, ThinPrint .print integration, Direct IP (Port 9100), LPR/LPD

Network Protocol Support

UDP, TCP, AppleTalk™, TCP/IP IPv4, TCP/IP IPv6

Network Security

IPSec, SNMPv3, 802.1X Authentication: MD5, MSCHAPv2, LEAP, PEAP, TLS, TTLS

Printer Languages (Standard)

PDF 1.7 emulation, Microsoft XPS (XML Paper Specification), Direct Image, PostScript 3 Emulation, PCL 6 Emulation, PCL 5e Emulation, Personal Printer Data Stream (PPDS)

Reduce / Enlarge Range

25 - 400 %

Scan Area, Maximum

215.9 x 355.6 mm

Scan Area, Maximum

8.5 x 14 inches

Modem Speed

ITU T.30, V.34 Half-Duplex, 33.6 Kbps

Laser Cartridge Yields

10,000*-page High Yield Cartridge, 2,500*-page Cartridge

Cartridge(s) Shipping with Product

5,000*-page Starter Return Program Toner Cartridge

Replacement Cartridges:

Product functions only with replacement cartridge designed for use in a specific geographical region. See www.lexmark.com/regions for more details.

Packaged Size (mm - H x W x D)

571 x 485 x 550 mm

Size (mm - H x W x D)

468 x 399 x 472 mm

Packaged Size (in. - H x W x D)

22.48 x 19.09 x 21.65 in.

Size (in. - H x W x D)

18.4 x 15.7 x 18.6 in.

Weight (Kg)

20.0 kg

Weight (lb.)

44.0 lb.

Noise Level, Idle

Inaudible dBA

Print Noise Level, Operating

55 dBA

Copy Noise Level, Operating

55 dBA

Scan Noise Level, Operating

55 dBA

Product Warranty

1-Year Exchange Service, Next Business Day

Product Certifications

Energy Star V1.2, Blue Angel (RAL-UZ-122), CAN/CSA-C22.2 60950-1, CSA E60825-1, ICES-003 Class B, BSMI Class B, CNS 13438, VCCI Class B, US FDA, FCC Class B, UL 60950-1, IEC 320-1, EN/IEC 60320-1, CE Class B, CB IEC 60950-1, EN 62311, EN 60950-1, EN/IEC 61000-3, EN 55022 Class B, EN 55024, EN/IEC 60825-1, GS (TÜV), SEMKO, UL AR, CS, TÜV Rh, SMA C-tick mark Class B, CCC Class B, CISPR 22 Class B, EK Mark, N Mark, ECMA-370, TED

Maximum Monthly Duty Cycle

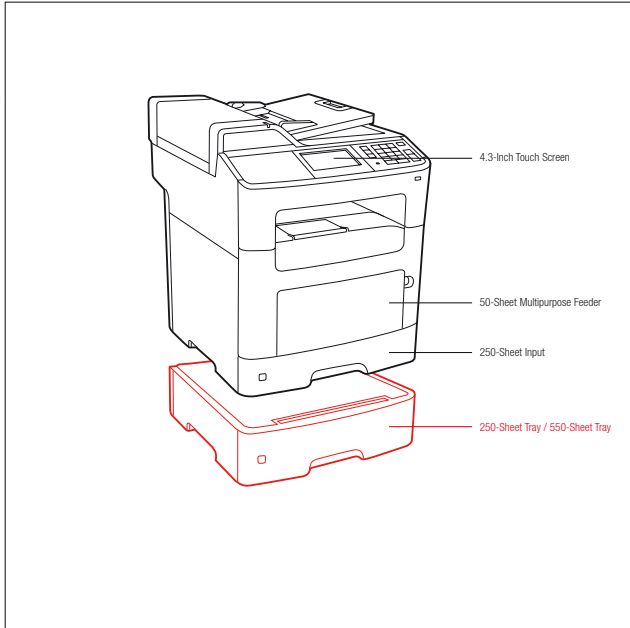
Up to 80,000 pages per month

Recommended Monthly Page Volume

750 - 10,000 pages

Specified Operating Environment

Altitude: 0 - 2896 Meters (9,500 Feet), Temperature: 16 to 32°C (60 to 90°F), Humidity: 8 to 80% Relative Humidity



Standard
 Optional

| Part # | Model |
|---------|--|
| 35S5701 | Lexmark MX410de |
| Part # | Laser Toner/Print Cartridge |
| 60F1H00 | 601H High Yield Return Program Toner Cartridge |
| 60F1000 | 601 Return Program Toner Cartridge |
| 60FOHA0 | 600HA High Yield Toner Cartridge |
| 50FOZ00 | 500Z Black Return Program Imaging Unit |
| 50FOZA0 | 500ZA Black Imaging Unit |
| Part # | Paper Handling |
| 35S0567 | 550-Sheet Tray |
| 35S0267 | 250-Sheet Tray |
| Part # | Memory Options |
| 57X9016 | 1024MBx32 DDR3-DRAM |
| 57X9012 | 2048MBx32 DDR3-DRAM |
| 57X9101 | 256MB Flash Memory Card |
| 57X9115 | Japanese Font Card |
| 57X9114 | Korean Font Card |
| 57X9112 | Simplified Chinese Font Card |
| 57X9110 | Traditional Chinese Font Card |
| Part # | Application Solutions |
| 35S5889 | MX410, MX51x Card for IPDS |
| 35S5888 | MX410, MX51x Forms and Bar Code Card |
| 35S5890 | MX410, MX51x Card for PRESCRIBE Emulation |
| Part # | Connectivity |
| 1021294 | USB Cable (2-meter) |
| 27X0129 | Lexmark MarkNet 8352 802.11b/g/n Wireless |
| Part # | Extended Warranties |
| 2356063 | MX410 2-Years Total (1+1) Exchange Service |
| 2356064 | MX410 3-Years Total (1+2) Exchange Service |
| 2356065 | MX410 4-Years Total (1+3) Exchange Service |
| 2356066 | MX410 5-Years Total (1+4) Exchange Service |
| 2356067 | MX410 1-Year Exchange Service Renewal |
| 2356070 | MX410 Upgrade to Onsite Service |
| 2355526 | MX410 2-Years Total (1+1) Onsite Service |
| 2355527 | MX410 3-Years Total (1+2) Onsite Service |
| 2355528 | MX410 4-Years Total (1+3) Onsite Service |
| 2355529 | MX410 5-Years Total (1+4) Onsite Service |
| 2355530 | MX410 1-Year Onsite Service Renewal |
| Part # | User Replaceable Parts |
| 40X9054 | ADF Input Paper Tray |
| Part # | Service Parts |
| 40X9108 | ADF Separator Roller |



Lexmark MX510de

The Lexmark MX510de delivers productivity solutions, 2-sided printing and fast processor, print, copy and scan speeds—all to help propel your business forward.

Print Technology

Monochrome Laser

Function

Printing, Network Scanning, Copying, Color Scanning Display

Lexmark e-Task 4.3-inch (10.9 cm) color touch screen

Print Speed (Letter, Black)

Up to 45 ppm

Print Speed (Letter, Black) Duplex

Up to 20 ppm

Time to First Page (Black)

As fast as 6.5 seconds

Copy Speed (Letter, Black)

Up to 45 cpm

Time to First Copy (Black)

As fast as 6.5 seconds

Print Resolution, Black

600 x 600 dpi, 1200 Image Quality, 1200 x 1200 dpi, 2400 Image Quality

ADF Scan

RADF (Reversing Duplex)

Optical Scanning Resolution

1200 X 600 ppi (black), 600 X 600 ppi (color)

Processor

Dual Core, 800 MHz

Memory, Standard

512 MB

Memory, Maximum

2560 MB

Hard Disk

Option available

Expandable Memory Options

Yes

Apple Macintosh Operating Systems Supported

Mac OS X (10.5, 10.6, 10.7, 10.8)

Linux Operating Systems Supported

Fedora 14, 15, 16, 17, Red Hat Enterprise Linux WS 4.0, 5.0, 6.0, Linux Desktop 9.6, SUSE Linux Enterprise Server 10, 11, SUSE Linux Enterprise Desktop 10, 11, Red Flag Linux Desktop 6.0, Debian GNU/Linux 5.0, 6.0, Ubuntu 11.04, 11.10, 12.04, Mint 9, 10, 11, 12, PCLinuxOS 2011.9, openSUSE 11.3, 11.4, 12.1

Microsoft Windows Operating Systems Supported

Server 2012, 8 x64, Server 2008 R2, Server 2008 R2 running Terminal Services, 8, Windows 7 x64, Server 2008 x64 running Terminal Services, Server 2008 x64, XP, Server 2003, XP x64, Server 2003 running Terminal Services, Server 2003 x64, Server 2003 x64 running Terminal Services, Vista, Vista x64, Server 2008, Server 2008 running Terminal Services, Windows 7

Novell Operating Systems Supported

Open Enterprise Server on SUSE Linux Enterprise Server, NetWare 5.1(SP 6+), 6.0(SP 3+) with Novell Distributed Print Services (NDPS), NetWare 6.5 Open Enterprise Server

UNIX Operating Systems Supported

IBM AIX 5.3, 6.1, 7.1, HP-UX 11.11, 11.23, 11.31, Sun Solaris SPARC 9, 10, Sun Solaris x86 10, 11

Included Paper Handling

Integrated Duplex, 100-Sheet Multipurpose Feeder, 250-Sheet Input, 150-Sheet Output Bin

Optional Paper Handling

550-Sheet Tray, 250-Sheet Tray

Paper Input Capacity, Standard: Up to

350 pages 20 lb or 75 gsm bond

Paper Input Capacity, Maximum: Up to

2000 pages 20 lb or 75 gsm bond

Paper Output Capacity, Standard: Up to

150 pages 20 lb or 75 gsm bond

Paper Output Capacity, Maximum: Up to

150 pages 20 lb or 75 gsm bond

ADF Paper Input Capacity

Up to 50 pages 20 lb or 75 gsm bond

Finishing Option

No

Number of Paper Inputs, Standard

2

Number of Paper Inputs, Maximum

5

Media Types Supported

Refer to the Card Stock & Label Guide, Plain Paper, Envelopes, Card Stock, Paper Labels, Transparencies

Media Sizes Supported

A6, Oficio, Universal, Statement, Folio, DL Envelope, A4, 7/34 Envelope, 10 Envelope, 9 Envelope, A5, Executive, JIS-B5, Legal, Letter

Standard Ports

Rear USB 2.0 Specification Hi-Speed Certified Port (Type A), USB 2.0 Specification Hi-Speed Certified (Type B), One Internal Card Slot, Gigabit Ethernet (10/100/1000), Front USB 2.0 Specification Hi-Speed Certified Port (Type A)

Optional Network Ports

Internal MarkNet N8350 802.11b/g/n Wireless

Optional Local Ports

Internal 1284-B Bidirectional Parallel, Internal RS-232C serial

Network Printing Methods

IPP 1.0, 1.1, 2.0 (Internet Printing Protocol), ThinPrint print integration, Direct IP (Port 9100), Enhanced IP (Port 9400), FTP, TFTP, LPR/LPD

Network Protocol Support

UDP, TCP, TCP/IP IPv6, TCP/IP IPv4, AppleTalk™

Network Security

IPSec, 802.1x Authentication: MD5, MSCHAPv2, LEAP, PEAP, TLS, TTLS, SNMPv3

Printer Languages (Standard)

PDF 1.7 emulation, PostScript 3 Emulation, PCL 5e Emulation, PCL 6 Emulation, Personal Printer Data Stream (PPDS), Direct Image, Microsoft XPS (XML Paper Specification)

Reduce / Enlarge Range

25 - 400 %

Scan Area, Maximum

215.9 x 355.6 mm

Scan Area, Maximum

8.5 x 14 inches

Laser Cartridge Yields

20,000*-page Extra High Yield Cartridge, 10,000*-page High Yield Cartridge, 2,500*-page Cartridge

Cartridge(s) Shipping with Product

5,000*-page Starter Return Program Toner Cartridge

Replacement Cartridges:

Product functions only with replacement cartridges designed for use in a specific geographical region. See www.lexmark.com/regions for more details.

Packaged Size (mm - H x W x D)

612 x 543 x 599 mm

Size (mm - H x W x D)

502 x 489 x 452 mm

Packaged Size (in. - H x W x D)

24.09 x 21.38 x 23.58 in.

Size (in. - H x W x D)

19.8 x 19.3 x 17.8 in.

Weight (kg)

21.8 kg

Weight (lb.)

48 lb.

Noise Level, Idle

Inaudible dBA

Print Noise Level, Operating

56 dBA

Copy Noise Level, Operating

56 dBA

Scan Noise Level, Operating

55 dBA

Product Warranty

1-Year Onsite Service, Next Business Day

Product Certifications

Energy Star V1.2, Blue Angel (RAL-UZ-122), CAN/CSA-C22.2 60950-1, CSA E60825-1, ICES-003 Class B, BSMI Class B, CNS 13438, VCCI Class B, US FDA, FCC Class B, UL 60950-1, IEC 320-1, EN/IEC 60320-1, CE Class B, CB IEC 60950-1, EN 62311, EN 60950-1, EN/IEC 61000-3, EN 55022 Class B, EN 55024, EN/IEC 60825-1, GS (TÜV), SEMKO, UL AR, CS, TÜV Rh, SMA C-tick mark Class B, CCC Class B, CISPR 22 Class B, EK Mark, N Mark, ECUA-370, TED

Maximum Monthly Duty Cycle

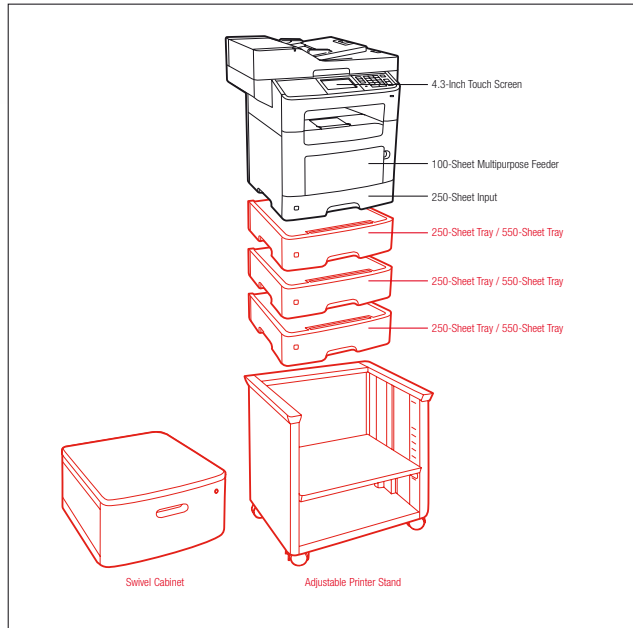
Up to 100,000 pages per month

Recommended Monthly Page Volume

2000 - 12,000 pages

Specified Operating Environment

Altitude: 0 - 2896 Meters (9,500 Feet), Humidity: 8 to 80% Relative Humidity, Temperature: 16 to 32°C (60 to 90°F)



Standard
 Optional

| | |
|---------------|--|
| Part # | Model |
| 35S5702 | Lexmark MX510de |
| Part # | Laser Toner/Print Cartridge |
| 60F1X00 | 601X Extra High Yield Return Program Toner Cartridge |
| 60F1H00 | 601H High Yield Return Program Toner Cartridge |
| 60F1000 | 601 Return Program Toner Cartridge |
| 60FOX0A | 600XA Extra High Yield Toner Cartridge |
| 50FOZ00 | 500Z Black Return Program Imaging Unit |
| 50FOZ0A | 500ZA Black Imaging Unit |
| Part # | Paper Handling |
| 35S0567 | 550-Sheet Tray |
| 35S0267 | 250-Sheet Tray |
| Part # | Furniture |
| 35S8502 | Adjustable Printer Stand |
| 3073173 | Swivel Cabinet |
| Part # | Memory Options |
| 57X9016 | 1024MBx32 DDR3-DRAM |
| 57X9012 | 2048MBx32 DDR3-DRAM |
| 57X9101 | 256MB Flash Memory Card |
| 27X0210 | 160+ GB Hard Disk |
| 57X9115 | Japanese Font Card |
| 57X9114 | Korean Font Card |
| 57X9112 | Simplified Chinese Font Card |
| 57X9110 | Traditional Chinese Font Card |
| Part # | Application Solutions |
| 35S5889 | MX410, MX51x Card for IPDS |
| 35S5888 | MX410, MX51x Forms and Bar Code Card |
| 35S5890 | MX410, MX51x Card for PRESCRIBE Emulation |
| Part # | Connectivity |
| 1021294 | USB Cable (2-meter) |
| 27X0903 | Lexmark MarkNet 8350 802.11b/g/n Wireless |
| 27X0901 | Parallel 1284-B Interface Card |
| 1021231 | Parallel Cable (10-foot) |
| 27X0900 | RS-232C Serial Interface Card |
| Part # | Extended Warranties |
| 2355564 | MX510, MX511 2-Years Total (1+1) Onsite Service |
| 2355565 | MX510, MX511 3-Years Total (1+2) Onsite Service |
| 2355566 | MX510, MX511 4-Years Total (1+3) Onsite Service |
| 2355567 | MX510, MX511 5-Years Total (1+4) Onsite Service |
| 2355568 | MX510, MX511 1-Year Onsite Service Renewal |
| Part # | User Replaceable Parts |
| 40X9054 | ADF Input Paper Tray |

| | |
|---------------|---------------------------------|
| Part # | Service Parts |
| 40X9135 | Fuser Maintenance Kit, 110-120V |
| 40X9108 | ADF Separator Roller |



Lexmark MX511de

The Lexmark MX511de with fax delivers productivity solutions, 2-sided printing and fast processor, print, copy and scan speeds—all to help propel your business forward.

Print Technology

Monochrome Laser

Function

Printing, Network Scanning, Faxing, Copying, Color Scanning

Display

Lexmark e-Task 4.3-inch (10.9 cm) color touch screen

Print Speed (Letter, Black)

Up to 45 ppm

Print Speed (Letter, Black) Duplex

Up to 20 ppm

Time to First Page (Black)

As fast as 6.5 seconds

Copy Speed (Letter, Black)

Up to 45 cpm

Time to First Copy (Black)

As fast as 6.5 seconds

Print Resolution, Black

600 x 600 dpi, 1200 Image Quality, 2400 Image Quality, 1200 x 1200 dpi

ADF Scan

RADF (Reversing Duplex)

Optical Scanning Resolution

1200 X 600 ppi (black), 600 X 600 ppi (color)

Processor

Dual Core, 800 MHz

Memory, Standard

512 MB

Memory, Maximum

2560 MB

Hard Disk

Option available

Expandable Memory Options

Yes

Apple Macintosh Operating Systems Supported

Mac OS X (10.5, 10.6, 10.7, 10.8)

Linux Operating Systems Supported

Fedora 14, 15, 16, 17, Red Hat Enterprise Linux WS 4.0, 5.0, 6.0, Linux Desktop 9.6, SUSE Linux Enterprise Server 10, 11, SUSE Linux Enterprise Desktop 10, 11, Red Hat Linux Desktop 6.0, Debian GNU/Linux 5.0, 6.0, Ubuntu 11.04, 11.10, 12.04, Mint 9, 10, 11, 12, PCLinuxOS 2011.9, openSUSE 11.3, 11.4, 12.1

Microsoft Windows Operating Systems Supported

Server 2012, 8 x64, Server 2008 R2, Server 2008 R2 running Terminal Services, 8, Windows 7 x64, Server 2008 x64 running Terminal Services, Server 2008 x64, XP, Server 2003, XP x64, Server 2003 running Terminal Services, Server 2003 x64, Server 2003 x64 running Terminal Services, Vista, Vista x64, Server 2008, Server 2008 running Terminal Services, Windows 7

Novell Operating Systems Supported

Open Enterprise Server on SUSE Linux Enterprise Server, NetWare 5.1 (SP 6+), 6.0 (SP 3+) with Novell Distributed Print Services (NDPS), NetWare 6.5 Open Enterprise Server

UNIX Operating Systems Supported

IBM AIX 5.3, 6.1, 7.1, HP-UX 11.11, 11.23, 11.31, Sun Solaris SPARC 9, 10, Sun Solaris x86 10, 11

Included Paper Handling

Integrated Duplex, 100-Sheet Multipurpose Feeder, 250-Sheet Input, 150-Sheet Output Bin

Optional Paper Handling

550-Sheet Tray, 250-Sheet Tray

Paper Input Capacity, Standard: Up to

350 pages 20 lb or 75 gsm bond

Paper Input Capacity, Maximum: Up to

2000 pages 20 lb or 75 gsm bond

Paper Output Capacity, Standard: Up to

150 pages 20 lb or 75 gsm bond

Paper Output Capacity, Maximum: Up to

150 pages 20 lb or 75 gsm bond

ADF Paper Input Capacity

Up to 50 pages 20 lb or 75 gsm bond

Finishing Option

No

Number of Paper Inputs, Standard

2

Number of Paper Inputs, Maximum

5

Media Types Supported

Refer to the Card Stock & Label Guide, Plain Paper, Envelopes, Card Stock, Paper Labels, Transparencies

Media Sizes Supported

A6, Oficio, Universal, Statement, Folio, DL Envelope, A4, 7/34 Envelope, 10 Envelope, 9 Envelope, A5, Executive, JIS-B5, Legal, Letter

Standard Ports

Rear USB 2.0 Specification Hi-Speed Certified Port (Type A), USB 2.0 Specification Hi-Speed Certified (Type B), One Internal Card Slot, Gigabit Ethernet (10/100/1000), Front USB 2.0 Specification Hi-Speed Certified Port (Type A)

Optional Network Ports

Internal MarkNet N8350 802.11b/g/n Wireless

Optional Local Ports

Internal 1284-B Bidirectional Parallel, Internal RS-232C serial

Network Printing Methods

IPP 1.0, 1.1, 2.0 (Internet Printing Protocol), Enhanced IP (Port 9400), FTP, TFTP, ThinPrint print integration, Direct IP (Port 9100), LPR/LPD

Network Protocol Support

UDP, TCP, AppleTalk™, TCP/IP IPv4, TCP/IP IPv6

Network Security

IPSec, SNMPv3, 802.1x Authentication: MD5, MSCHAPv2, LEAP, PEAP, TLS, TTLS

Printer Languages (Standard)

PDF 1.7 emulation, PostScript 3 Emulation, PCL 5e Emulation, PCL 6 Emulation, Personal Printer Data Stream (PPDS), Direct Image, Microsoft XPS (XML Paper Specification)

Reduce / Enlarge Range

25 - 400 %

Scan Area, Maximum

215.9 x 355.6 mm

Scan Area, Maximum

8.5 x 14 inches

Modem Speed

ITU T.30, V.34 Half-Duplex, 33.6 Kbps

Laser Cartridge Yields

20,000*-page Extra High Yield Cartridge, 10,000*-page High Yield Cartridge, 2,500*-page Cartridge

Cartridge(s) Shipping with Product

5,000*-page Starter Return Program Toner Cartridge

Replacement Cartridges:

Product functions only with replacement cartridges designed for use in a specific geographical region. See www.lexmark.com/regions for more details.

Packaged Size (mm - H x W x D)

612 x 543 x 599 mm

Size (mm - H x W x D)

502 x 489 x 452 mm

Packaged Size (in. - H x W x D)

24.09 x 21.38 x 23.58 in.

Size (in. - H x W x D)

19.8 x 19.3 x 17.8 in.

Weight (kg)

21.8 kg

Weight (lb.)

48 lb.

Noise Level, Idle

Inaudible dBA

Print Noise Level, Operating

56 dBA

Copy Noise Level, Operating

56 dBA

Scan Noise Level, Operating

55 dBA

Product Warranty

1-Year Onsite Service, Next Business Day

Product Certifications

Energy Star V1.2, Blue Angel (RAL-UZ-122), CAN/CSA-C22.2 60950-1, CSA E60825-1, ICES-003 Class B, BSMI Class B, CNS 13438, VCCI Class B, US FDA, FCC Class B, UL 60950-1, IEC 320-1, EN/IEC 60320-1, CE Class B, CB IEC 60950-1, EN 62311, EN 60950-1, EN/IEC 61000-3, EN 55022 Class B, EN 55024, EN/IEC 60825-1, GS (TUV), SEMKO, UL AR, CS, TÜV Rh, SMA C-lick mark Class B, CCC Class B, CISPIR 22 Class B, EK Mark, N Mark, ECMA-370, TED

Maximum Monthly Duty Cycle

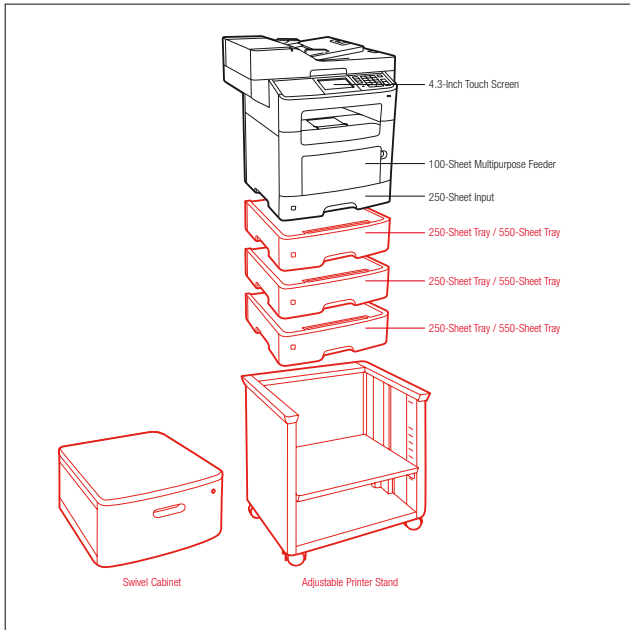
Up to 100,000 pages per month

Recommended Monthly Page Volume

2000 - 12,000 pages

Specified Operating Environment

Altitude: 0 - 2896 Meters (9,500 Feet), Temperature: 16 to 32°C (60 to 90°F), Humidity: 8 to 80% Relative Humidity



Standard
 Optional

| | |
|---------------|--|
| Part # | Model |
| 35S5703 | Lexmark MX511de |
| Part # | Laser Toner/Print Cartridge |
| 60F1X00 | 601X Extra High Yield Return Program Toner Cartridge |
| 60F1H00 | 601H High Yield Return Program Toner Cartridge |
| 60F1000 | 601 Return Program Toner Cartridge |
| 60FOX0A | 600XA Extra High Yield Toner Cartridge |
| 50FOZ00 | 500Z Black Return Program Imaging Unit |
| 50FOZ0A | 500ZA Black Imaging Unit |
| Part # | Paper Handling |
| 35S0567 | 550-Sheet Tray |
| 35S0267 | 250-Sheet Tray |
| Part # | Furniture |
| 35S8502 | Adjustable Printer Stand |
| 3073173 | Swivel Cabinet |
| Part # | Memory Options |
| 57X9016 | 1024MBx32 DDR3-DRAM |
| 57X9012 | 2048MBx32 DDR3-DRAM |
| 57X9101 | 256MB Flash Memory Card |
| 27X0210 | 160+ GB Hard Disk |
| 57X9115 | Japanese Font Card |
| 57X9114 | Korean Font Card |
| 57X9112 | Simplified Chinese Font Card |
| 57X9110 | Traditional Chinese Font Card |
| Part # | Application Solutions |
| 35S5889 | MX410, MX51x Card for IPDS |
| 35S5888 | MX410, MX51x Forms and Bar Code Card |
| 35S5890 | MX410, MX51x Card for PRESCRIBE Emulation |
| Part # | Connectivity |
| 1021294 | USB Cable (2-meter) |
| 27X0903 | Lexmark MarkNet 8350 802.11b/g/n Wireless |
| 27X0901 | Parallel 1284-B Interface Card |
| 1021231 | Parallel Cable (10-foot) |
| 27X0900 | RS-232C Serial Interface Card |
| Part # | Extended Warranties |
| 2355564 | MX510, MX511 2-Years Total (1+1) Onsite Service |
| 2355565 | MX510, MX511 3-Years Total (1+2) Onsite Service |
| 2355566 | MX510, MX511 4-Years Total (1+3) Onsite Service |
| 2355567 | MX510, MX511 5-Years Total (1+4) Onsite Service |
| 2355568 | MX510, MX511 1-Year Onsite Service Renewal |
| Part # | User Replaceable Parts |
| 40X9054 | ADF Input Paper Tray |

| | |
|---------------|---------------------------------|
| Part # | Service Parts |
| 40X9135 | Fuser Maintenance Kit, 110-120V |
| 40X9108 | ADF Separator Roller |



Lexmark MX511dhe

The Lexmark MX511dhe with fax delivers solutions, 2-sided printing, more data capacity and fast processor, print, copy and scan speeds—all to help propel your business forward.

Print Technology

Monochrome Laser

Function

Printing, Network Scanning, Faxing, Copying, Color Scanning

Display

Lexmark e-Task 4.3-inch (10.9 cm) color touch screen

Print Speed (Letter, Black)

Up to 45 ppm

Print Speed (Letter, Black) Duplex

Up to 20 ppm

Time to First Page (Black)

As fast as 6.5 seconds

Copy Speed (Letter, Black)

Up to 45 cpm

Time to First Copy (Black)

As fast as 6.5 seconds

Print Resolution, Black

600 x 600 dpi, 1200 Image Quality, 2400 Image Quality, 1200 x 1200 dpi

ADF Scan

RADF (Reversing Duplex)

Optical Scanning Resolution

1200 X 600 ppi (black), 600 X 600 ppi (color)

Processor

Dual Core, 800 MHz

Memory, Standard

512 MB

Memory, Maximum

2560 MB

Hard Disk

Included in configuration

Expandable Memory Options

Yes

Apple Macintosh Operating Systems Supported

Mac OS X (10.5, 10.6, 10.7, 10.8)

Linux Operating Systems Supported

Fedora 14, 15, 16, 17, Red Hat Enterprise Linux WS 4.0, 5.0, 6.0, Linux Desktop 9.6, SUSE Linux Enterprise Server 10, 11, SUSE Linux Enterprise Desktop 10, 11, Red Hat Linux Desktop 6.0, Debian GNU/Linux 5.0, 6.0, Ubuntu 11.04, 11.10, 12.04, Mint 9, 10, 11, 12, PCLinuxOS 2011.9, openSUSE 11.3, 11.4, 12.1

Microsoft Windows Operating Systems Supported

Server 2012, 8 x64, Server 2008 R2, Server 2008 R2 running Terminal Services, 8, Windows 7 x64, Server 2008 x64 running Terminal Services, Server 2008 x64, XP, Server 2003, XP x64, Server 2003 running Terminal Services, Server 2003 x64, Server 2003 x64 running Terminal Services, Vista, Vista x64, Server 2008, Server 2008 running Terminal Services, Windows 7

Novell Operating Systems Supported

Open Enterprise Server on SUSE Linux Enterprise Server, NetWare 5.1(SP 6+), 6.0(SP 3+) with Novell Distributed Print Services (NDPS), NetWare 6.5 Open Enterprise Server

UNIX Operating Systems Supported

IBM AIX 5.3, 6.1, 7.1, HP-UX 11.11, 11.23, 11.31, Sun Solaris SPARC 9, 10, Sun Solaris x86 10, 11

Included Paper Handling

Integrated Duplex, 100-Sheet Multipurpose Feeder, 250-Sheet Input, 150-Sheet Output Bin

Optional Paper Handling

550-Sheet Tray, 250-Sheet Tray

Paper Input Capacity, Standard: Up to

350 pages 20 lb or 75 gsm bond

Paper Input Capacity, Maximum: Up to

2000 pages 20 lb or 75 gsm bond

Paper Output Capacity, Standard: Up to

150 pages 20 lb or 75 gsm bond

Paper Output Capacity, Maximum: Up to

150 pages 20 lb or 75 gsm bond

ADF Paper Input Capacity

Up to 50 pages 20 lb or 75 gsm bond

Finishing Option

No

Number of Paper Inputs, Standard

2

Number of Paper Inputs, Maximum

5

Media Types Supported

Refer to the Card Stock & Label Guide, Plain Paper, Envelopes, Card Stock, Paper Labels, Transparencies

Media Sizes Supported

A6, Oficio, Universal, Statement, Folio, DL Envelope, A4, 7 3/4 Envelope, 10 Envelope, 9 Envelope, A5, Executive, JIS-B5, Legal, Letter

Standard Ports

Rear USB 2.0 Specification Hi-Speed Certified Port (Type A), USB 2.0 Specification Hi-Speed Certified (Type B), One Internal Card Slot, Gigabit Ethernet (10/100/1000), Front USB 2.0 Specification Hi-Speed Certified Port (Type A)

Optional Network Ports

Internal MarNet N8350 802.11b/g/n Wireless

Optional Local Ports

Internal 1284-B Bidirectional Parallel, Internal RS-232C serial

Network Printing Methods

IPP 1.0, 1.1, 2.0 (Internet Printing Protocol), Enhanced IP (Port 9400), FTP, TFTP, ThinPrint_print integration, Direct IP (Port 9100), LPR/LPD

Network Protocol Support

UDP, TCP, AppleTalk™, TCP/IP/IPv4, TCP/IP/IPv6

Network Security

IPSec, SNMPv3, 802.1x Authentication: MD5, MSCHAPv2, LEAP, PEAP, TLS, TTLS

Printer Languages (Standard)

PDF 1.7 emulation, PostScript 3 Emulation, PCL 5e Emulation, PCL 6 Emulation, Personal Printer Data Stream (PPDS), Direct Image, Microsoft XPS (XML Paper Specification)

Reduce / Enlarge Range

25 - 400 %

Scan Area, Maximum

215.9 x 355.6 mm

Scan Area, Maximum

8.5 x 14 inches

Modem Speed

ITU T.30, V.34 Half-Duplex, 33.6 Kbps

Laser Cartridge Yields

20,000*-page Extra High Yield Cartridge, 10,000*-page High Yield Cartridge, 2,500*-page Cartridge

Cartridge(s) Shipping with Product

5,000*-page Starter Return Program Toner Cartridge

Replacement Cartridges:

Product functions only with replacement cartridges designed for use in a specific geographical region. See www.lexmark.com/regions for more details.

Packaged Size (mm - H x W x D)

612 x 543 x 599 mm

Size (mm - H x W x D)

502 x 489 x 452 mm

Packaged Size (in. - H x W x D)

24.09 x 21.38 x 23.58 in.

Size (in. - H x W x D)

19.8 x 19.3 x 17.8 in.

Weight (kg)

21.8 kg

Weight (lb.)

48 lb.

Noise Level, Idle

Inaudible dBA

Print Noise Level, Operating

56 dBA

Copy Noise Level, Operating

56 dBA

Scan Noise Level, Operating

55 dBA

Product Warranty

1-Year Onsite Service, Next Business Day

Product Certifications

Energy Star V1.2, Blue Angel (RAL-UZ-122), CAN/CSA-C22.2 60950-1, CSA E60825-1, ICES-003 Class B, BSMI Class B, CNS 13438, VCCI Class B, US FDA, FCC Class B, UL 60950-1, IEC 320-1, EN/IEC 60320-1, CE Class B, CB IEC 60950-1, EN 62311, EN 60950-1, EN/IEC 61000-3, EN 55022 Class B, EN 55024, EN/IEC 60825-1, GS (TUV), SEMKO, UL AR, CS, TÜV Rh, SMA C-lick mark Class B, CCC Class B, CISPIR 22 Class B, EK Mark, N Mark, ECMA-370, TED

Maximum Monthly Duty Cycle

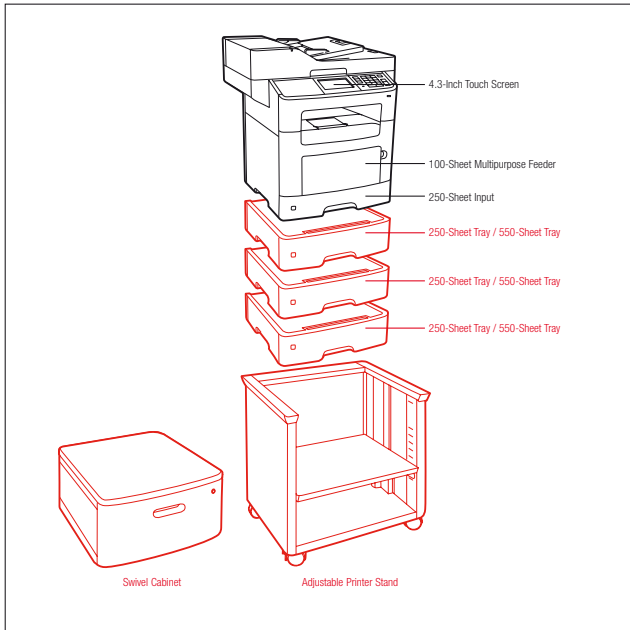
Up to 100,000 pages per month

Recommended Monthly Page Volume

2000 - 12,000 pages

Specified Operating Environment

Altitude: 0 - 2896 Meters (9,500 Feet), Temperature: 16 to 32°C (60 to 90°F), Humidity: 8 to 80% Relative Humidity



Standard
 Optional

| | | | |
|---------------|--|---------|----------------------|
| Part # | Model | 40X9108 | ADF Separator Roller |
| 35S5704 | Lexmark MX511dhe | | |
| Part # | Laser Toner/Print Cartridge | | |
| 60F1X00 | 601X Extra High Yield Return Program Toner Cartridge | | |
| 60F1H00 | 601H High Yield Return Program Toner Cartridge | | |
| 60F1000 | 601 Return Program Toner Cartridge | | |
| 60FOXAO | 600XA Extra High Yield Toner Cartridge | | |
| 50FOZ00 | 500Z Black Return Program Imaging Unit | | |
| 50FOZAO | 500ZA Black Imaging Unit | | |
| Part # | Paper Handling | | |
| 35S0567 | 550-Sheet Tray | | |
| 35S0267 | 250-Sheet Tray | | |
| Part # | Furniture | | |
| 35S8502 | Adjustable Printer Stand | | |
| 3073173 | Swivel Cabinet | | |
| Part # | Memory Options | | |
| 57X9016 | 1024MbX32 DDR3-DRAM | | |
| 57X9012 | 2048MbX32 DDR3-DRAM | | |
| 57X9101 | 256MB Flash Memory Card | | |
| 57X9115 | Japanese Font Card | | |
| 57X9114 | Korean Font Card | | |
| 57X9112 | Simplified Chinese Font Card | | |
| 57X9110 | Traditional Chinese Font Card | | |
| Part # | Application Solutions | | |
| 35S5889 | MX410, MX51x Card for IPDS | | |
| 35S5888 | MX410, MX51x Forms and Bar Code Card | | |
| 35S5890 | MX410, MX51x Card for PRESCRIBE Emulation | | |
| Part # | Connectivity | | |
| 1021294 | USB Cable (2-meter) | | |
| 27X0903 | Lexmark MarkNet 8350 802.11b/g/n Wireless | | |
| 27X0901 | Parallel 1284-B Interface Card | | |
| 1021231 | Parallel Cable (10-foot) | | |
| 27X0900 | RS-232C Serial Interface Card | | |
| Part # | Extended Warranties | | |
| 2355564 | MX510, MX511 2-Years Total (1+1) Onsite Service | | |
| 2355565 | MX510, MX511 3-Years Total (1+2) Onsite Service | | |
| 2355566 | MX510, MX511 4-Years Total (1+3) Onsite Service | | |
| 2355567 | MX510, MX511 5-Years Total (1+4) Onsite Service | | |
| 2355568 | MX510, MX511 1-Year Onsite Service Renewal | | |
| Part # | User Replaceable Parts | | |
| 40X9054 | ADF Input Paper Tray | | |
| Part # | Service Parts | | |
| 40X9135 | Fuser Maintenance Kit, 110-120V | | |



Lexmark MX511dte

The Lexmark MX511dte with fax delivers solutions, 2-sided printing, more paper capacity and fast processor, print, copy and scan speeds—all to help propel your business forward.

Print Technology

Monochrome Laser

Function

Printing, Network Scanning, Faxing, Copying, Color Scanning

Display

Lexmark e-Task 4.3-inch (10.9 cm) color touch screen

Print Speed (Letter, Black)

Up to 45 ppm

Print Speed (Letter, Black) Duplex

Up to 20 ppm

Time to First Page (Black)

As fast as 6.5 seconds

Copy Speed (Letter, Black)

Up to 45 cpm

Time to First Copy (Black)

As fast as 6.5 seconds

Print Resolution, Black

600 x 600 dpi, 1200 Image Quality, 2400 Image Quality, 1200 x 1200 dpi

ADF Scan

RADF (Reversing Duplex)

Optical Scanning Resolution

1200 X 600 ppi (black), 600 X 600 ppi (color)

Processor

Dual Core, 800 MHz

Memory, Standard

512 MB

Memory, Maximum

2560 MB

Hard Disk

Option available

Expandable Memory Options

Yes

Apple Macintosh Operating Systems Supported

Mac OS X (10.5, 10.6, 10.7, 10.8)

Linux Operating Systems Supported

Fedora 14, 15, 16, 17, Red Hat Enterprise Linux WS 4.0, 5.0, 6.0, Linux Desktop 9.6, SUSE Linux Enterprise Server 10, 11, SUSE Linux Enterprise Desktop 10, 11, Red Hat Linux Desktop 6.0, Debian GNU/Linux 5.0, 6.0, Ubuntu 11.04, 11.10, 12.04, Mint 9, 10, 11, 12, PCLinuxOS 2011.9, openSUSE 11.3, 11.4, 12.1

Microsoft Windows Operating Systems Supported

Server 2012, 8 x64, Server 2008 R2, Server 2008 R2 running Terminal Services, 8, Windows 7 x64, Server 2008 x64 running Terminal Services, Server 2008 x64, XP, Server 2003, XP x64, Server 2003 running Terminal Services, Server 2003 x64, Server 2003 x64 running Terminal Services, Vista, Vista x64, Server 2008, Server 2008 running Terminal Services, Windows 7

Novell Operating Systems Supported

Open Enterprise Server on SUSE Linux Enterprise Server, NetWare 5.1(SP 6+), 6.0(SP 3+) with Novell Distributed Print Services (NDPS), NetWare 6.5 Open Enterprise Server

UNIX Operating Systems Supported

IBM AIX 5.3, 6.1, 7.1, HP-UX 11.11, 11.23, 11.31, Sun Solaris SPARC 9, 10, Sun Solaris x86 10, 11

Included Paper Handling

550-Sheet Tray, Integrated Duplex, 250-Sheet Input, 100-Sheet Multipurpose Feeder, 150-Sheet Output Bin

Optional Paper Handling

550-Sheet Tray, 250-Sheet Tray

Paper Input Capacity, Standard: Up to

900 pages 20 lb or 75 gsm bond

Paper Input Capacity, Maximum: Up to

2000 pages 20 lb or 75 gsm bond

Paper Output Capacity, Standard: Up to

150 pages 20 lb or 75 gsm bond

Paper Output Capacity, Maximum: Up to

150 pages 20 lb or 75 gsm bond

ADF Paper Input Capacity

Up to 50 pages 20 lb or 75 gsm bond

Finishing Option

No

Number of Paper Inputs, Standard

3

Number of Paper Inputs, Maximum

5

Media Types Supported

Refer to the Card Stock & Label Guide, Plain Paper, Envelopes, Card Stock, Paper Labels, Transparencies

Media Sizes Supported

A6, Oficio, Universal, Statement, Folio, DL Envelope, A4, 7 3/4 Envelope, 10 Envelope, 9 Envelope, A5, Executive, JIS-B5, Legal, Letter

Standard Ports

Rear USB 2.0 Specification Hi-Speed Certified Port (Type A), USB 2.0 Specification Hi-Speed Certified (Type B), One Internal Card Slot, Gigabit Ethernet (10/100/1000), Front USB 2.0 Specification Hi-Speed Certified Port (Type A)

Optional Network Ports

Internal MarkNet N8350 802.11b/g/n Wireless

Optional Local Ports

Internal 1284-B Bidirectional Parallel, Internal RS-232C serial

Network Printing Methods

IPP 1.0, 1.1, 2.0 (Internet Printing Protocol), Enhanced IP (Port 9400), FTP, TFTP, ThinPrint .print integration, Direct IP (Port 9100), LPR/LPD

Network Protocol Support

UDP, TCP, AppleTalk™, TCP/IP v4, TCP/IP v6

Network Security

IPSec, SNMPv3, 802.1x Authentication: MD5, MSCHAPv2, LEAP, PEAP, TLS, TTLS

Printer Languages (Standard)

PDF 1.7 emulation, PostScript 3 Emulation, PCL 5e Emulation, PCL 6 Emulation, Personal Printer Data Stream (PPDS), Direct Image, Microsoft XPS (XML Paper Specification)

Reduce / Enlarge Range

25 - 400 %

Scan Area, Maximum

215.9 x 355.6 mm

Scan Area, Maximum

8.5 x 14 inches

Modem Speed

ITU T.30, V.34 Half-Duplex, 33.6 Kbps

Laser Cartridge Yields

20,000*-page Extra High Yield Cartridge, 10,000*-page High Yield Cartridge, 2,500*-page Cartridge

Cartridge(s) Shipping with Product

5,000*-page Starter Return Program Toner Cartridge

Replacement Cartridges:

Product functions only with replacement cartridges designed for use in a specific geographical region. See www.lexmark.com/regions for more details.

Packaged Size (mm - H x W x D)

805 x 543 x 599 mm

Size (mm - H x W x D)

610 x 489 x 452 mm

Packaged Size (in. - H x W x D)

31.7 x 21.38 x 23.58 in.

Size (in. - H x W x D)

24.0 x 19.3 x 17.8 in.

Weight (kg)

26.5 kg

Weight (lb.)

58.4 lb.

Noise Level, Idle

Inaudible dBA

Print Noise Level, Operating

56 dBA

Copy Noise Level, Operating

56 dBA

Scan Noise Level, Operating

55 dBA

Product Warranty

1-Year Onsite Service, Next Business Day

Product Certifications

Energy Star V1.2, Blue Angel (RAL-UZ-122), CAN/CSA-C22.2 60950-1, CSA E60825-1, ICES-003 Class B, BSMI Class B, CNS 13438, VCCI Class B, US FDA, FCC Class B, UL 60950-1, IEC 320-1, EN/IEC 60320-1, CE Class B, CB IEC 60950-1, EN 62311, EN 60950-1, EN/IEC 61000-3, EN 55022 Class B, EN 55024, EN/IEC 60825-1, GS (TUV), SEMKO, UL AR, CS, TÜV Rh, SMA C-lick mark Class B, CCC Class B, CISPIR 22 Class B, EK Mark, N Mark, ECMA-370, TED

Maximum Monthly Duty Cycle

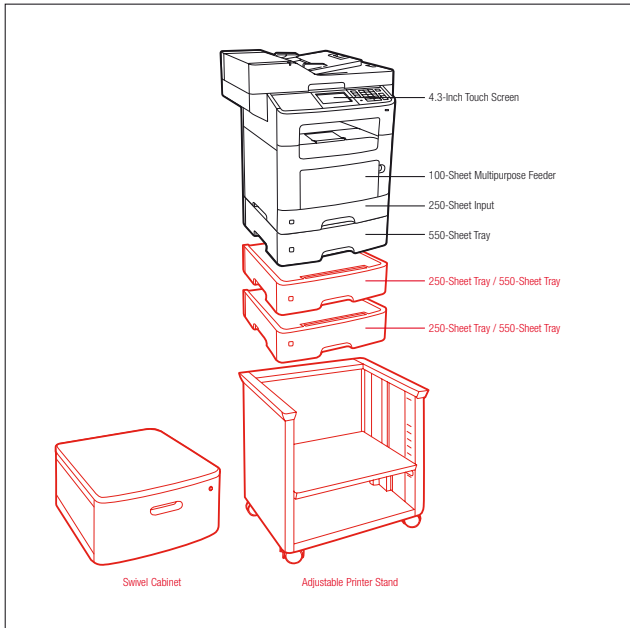
Up to 100,000 pages per month

Recommended Monthly Page Volume

2000 - 12,000 pages

Specified Operating Environment

Altitude: 0 - 2896 Meters (9,500 Feet), Temperature: 16 to 32°C (60 to 90°F), Humidity: 8 to 80% Relative Humidity



Standard
 Optional

| Part # | Model |
|---------|--|
| 35S5941 | Lexmark MX511dte |
| Part # | Laser Toner/Print Cartridge |
| 60F1X00 | 601X Extra High Yield Return Program Toner Cartridge |
| 60F1H00 | 601H High Yield Return Program Toner Cartridge |
| 60F1000 | 601 Return Program Toner Cartridge |
| 60FOX0A | 600XA Extra High Yield Toner Cartridge |
| 50FOZ00 | 500Z Black Return Program Imaging Unit |
| 50FOZ0A | 500ZA Black Imaging Unit |
| Part # | Paper Handling |
| 35S0567 | 550-Sheet Tray |
| 35S0267 | 250-Sheet Tray |
| Part # | Furniture |
| 35S8502 | Adjustable Printer Stand |
| 3073173 | Swivel Cabinet |
| Part # | Memory Options |
| 57X9016 | 1024MBx32 DDR3-DRAM |
| 57X9012 | 2048MBx32 DDR3-DRAM |
| 57X9101 | 256MB Flash Memory Card |
| 27X0210 | 160+ GB Hard Disk |
| 57X9115 | Japanese Font Card |
| 57X9114 | Korean Font Card |
| 57X9112 | Simplified Chinese Font Card |
| 57X9110 | Traditional Chinese Font Card |
| Part # | Application Solutions |
| 35S5889 | MX410, MX51x Card for IPDS |
| 35S5888 | MX410, MX51x Forms and Bar Code Card |
| 35S5890 | MX410, MX51x Card for PRESCRIBE Emulation |
| Part # | Connectivity |
| 1021294 | USB Cable (2-meter) |
| 27X0903 | Lexmark MarkNet 8350 802.11b/g/n Wireless |
| 27X0901 | Parallel 1284-B Interface Card |
| 1021231 | Parallel Cable (10-foot) |
| 27X0900 | RS-232C Serial Interface Card |
| Part # | Extended Warranties |
| 2355564 | MX510, MX511 2-Years Total (1+1) Onsite Service |
| 2355565 | MX510, MX511 3-Years Total (1+2) Onsite Service |
| 2355566 | MX510, MX511 4-Years Total (1+3) Onsite Service |
| 2355567 | MX510, MX511 5-Years Total (1+4) Onsite Service |
| 2355568 | MX510, MX511 1-Year Onsite Service Renewal |
| Part # | User Replaceable Parts |
| 40X9054 | ADF Input Paper Tray |

| Part # | Service Parts |
|---------|---------------------------------|
| 40X9135 | Fuser Maintenance Kit, 110-120V |
| 40X9108 | ADF Separator Roller |



Lexmark MX610de

Power up your productivity with the Lexmark MX610de. With solutions and 2-sided printing—plus fast processor, print, copy and scan speeds—it can help propel your business forward.

Print Technology

Monochrome Laser

Function

Printing, Network Scanning, Copying, Color Scanning

Display

Lexmark e-Task 7-inch (17.8 cm) color touch screen

Print Speed (Letter, Black)

Up to 50 ppm

Print Speed (Letter, Black) Duplex

Up to 22 ppm

Time to First Page (Black)

As fast as 6.5 seconds

Copy Speed (Letter, Black)

Up to 50 cpm

Time to First Copy (Black)

As fast as 6.5 seconds

Print Resolution, Black

600 x 600 dpi, 1200 Image Quality, 1200 x 1200 dpi, 2400 Image Quality

ADF Scan

RADF (Reversing Duplex)

Optical Scanning Resolution

1200 X 600 ppi (black), 600 X 600 ppi (color)

Processor

Dual Core, 800 MHz

Memory, Standard

1024 MB

Memory, Maximum

3072 MB

Hard Disk

Option available

Expandable Memory Options

Yes

Apple Macintosh Operating Systems Supported

Mac OS X (10.5, 10.6, 10.7, 10.8)

Linux Operating Systems Supported

Fedora 14, 15, 16, 17, Red Hat Enterprise Linux WS 4.0, 5.0, 6.0, Linux Linux Desktop 9.6, SUSE Linux Enterprise Server 10, 11, SUSE Linux Enterprise Desktop 10, 11, Red Hat Linux Desktop 6.0, Debian GNU/Linux 5.0, 6.0, Ubuntu 11.04, 11.10, 12.04, Mint 9, 10, 11, 12, PCLinuxOS 2011.9, openSUSE 11.3, 11.4, 12.1

Microsoft Windows Operating Systems Supported

Server 2012, 8 x64, Server 2008 R2, Server 2008 R2 running Terminal Services, 8, Windows 7 x64, Server 2008 x64 running Terminal Services, Server 2008 x64, XP, Server 2003, XP x64, Server 2003 running Terminal Services, Server 2003 x64, Server 2003 x64 running Terminal Services, Vista, Vista x64, Server 2008, Server 2008 running Terminal Services, Windows 7

Novell Operating Systems Supported

Open Enterprise Server on SUSE Linux Enterprise Server, NetWare 5.1(SP 6+), 6.0(SP 3+) with Novell Distributed Print Services (NDPS), NetWare 6.5 Open Enterprise Server

UNIX Operating Systems Supported

IBM AIX 5.3, 6.1, 7.1, HP-UX 11.11, 11.23, 11.31, Sun Solaris SPARC 9, 10, Sun Solaris x86 10, 11

Included Paper Handling

250-Sheet Output Bin, Integrated Duplex, 550-Sheet Input, 100-Sheet Multipurpose Feeder

Optional Paper Handling

Inline Stapler, 550-Sheet Tray, 250-Sheet Tray

Paper Input Capacity, Standard: Up to

650 pages 20 lb or 75 gsm bond

Paper Input Capacity, Maximum: Up to

2300 pages 20 lb or 75 gsm bond

Paper Output Capacity, Standard: Up to

250 pages 20 lb or 75 gsm bond

Paper Output Capacity, Maximum: Up to

250 pages 20 lb or 75 gsm bond

ADF Paper Input Capacity

Up to 50 pages 20 lb or 75 gsm bond

Finishing Option

Yes

Number of Paper Inputs, Standard

2

Number of Paper Inputs, Maximum

5

Media Types Supported

Refer to the Card Stock & Label Guide, Plain Paper, Envelopes, Card Stock, Paper Labels, Transparencies

Media Sizes Supported

A6, Oficio, Universal, Statement, Folio, DL Envelope, A4, 7 3/4 Envelope, 10 Envelope, 9 Envelope, A5, Executive, JIS-B5, Legal, Letter

Standard Ports

Rear USB 2.0 Specification Hi-Speed Certified Port (Type A), USB 2.0 Specification Hi-Speed Certified (Type B), One Internal Card Slot, Gigabit Ethernet (10/100/1000), Front USB 2.0 Specification Hi-Speed Certified Port (Type A)

Optional Network Ports

Internal MarkNet N8350 802.11b/g/n Wireless

Optional Local Ports

Internal 1284-B Bidirectional Parallel, Internal RS-232C serial

Network Printing Methods

IPP 1.0, 1.1, 2.0 (Internet Printing Protocol), ThinPrint print integration, Direct IP (Port 9100), Enhanced IP (Port 9400), FTP, TFTP, LPR/LPD

Network Protocol Support

UDP, TCP, TCP/IP IPv6, TCP/IP IPv4, AppleTalk™

Network Security

IPSec, 802.1x Authentication: MD5, MSCHAPv2, LEAP, PEAP, TLS, TTLS, SNMPv3

Printer Languages (Standard)

PDF 1.7 emulation, PostScript 3 Emulation, PCL 5e Emulation, PCL 6 Emulation, Personal Printer Data Stream (PPDS), Direct Image, Microsoft XPS (XML Paper Specification)

Reduce / Enlarge Range

25 - 400 %

Scan Area, Maximum

215.9 x 355.6 mm

Scan Area, Maximum

8.5 x 14 inches

Laser Cartridge Yields

20,000*-page Extra High Yield Cartridge, 10,000*-page High Yield Cartridge, 2,500*-page Cartridge

Cartridge(s) Shipping with Product

7,500*-page Starter Return Program Toner Cartridge

Replacement Cartridges:

Product functions only with replacement cartridges designed for use in a specific geographical region. See www.lexmark.com/regions for more details.

Packaged Size (mm - H x W x D)

673 x 572 x 599 mm

Size (mm - H x W x D)

561 x 489 x 479 mm

Packaged Size (in. - H x W x D)

26.50 x 22.56 x 23.58 in.

Size (in. - H x W x D)

22.1 x 19.3 x 18.9 in.

Weight (kg)

23.6 kg

Weight (lb.)

52 lb.

Noise Level, Idle

Inaudible dBA

Print Noise Level, Operating

55 dBA

Copy Noise Level, Operating

56 dBA

Scan Noise Level, Operating

55 dBA

Product Warranty

1-Year Onsite Service, Next Business Day

Product Certifications

Energy Star V1.2, Blue Angel (RAL-UZ-122), CAN/CSA-C22-2 60950-1, CSA E60825-1, ICES-003 Class B, BSMI Class B, CNS 13438, VCCI Class B, US FDA, FCC Class B, UL 60950-1, IEC 320-1, EN/IEC 60320-1, CE Class B, CB IEC 60950-1, EN 62311, EN 60950-1, EN/IEC 61000-3, EN 55022 Class B, EN 55024, EN/IEC 60825-1, GS (TÜV), SEMKO, UL AR, CS, TÜV Rh, SMA C-tick mark Class B, CCC Class B, CISPR 22 Class B, EK Mark, N Mark, ECOMA-370, TED

Maximum Monthly Duty Cycle

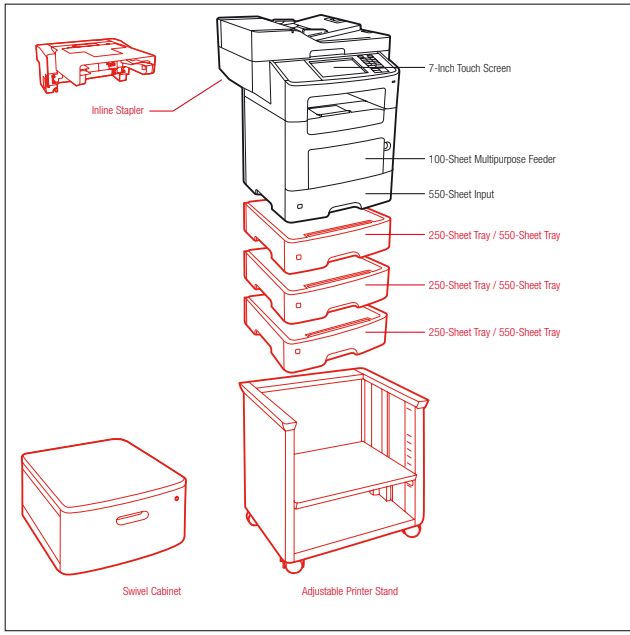
Up to 150,000 pages per month

Recommended Monthly Page Volume

2000 - 15,000 pages

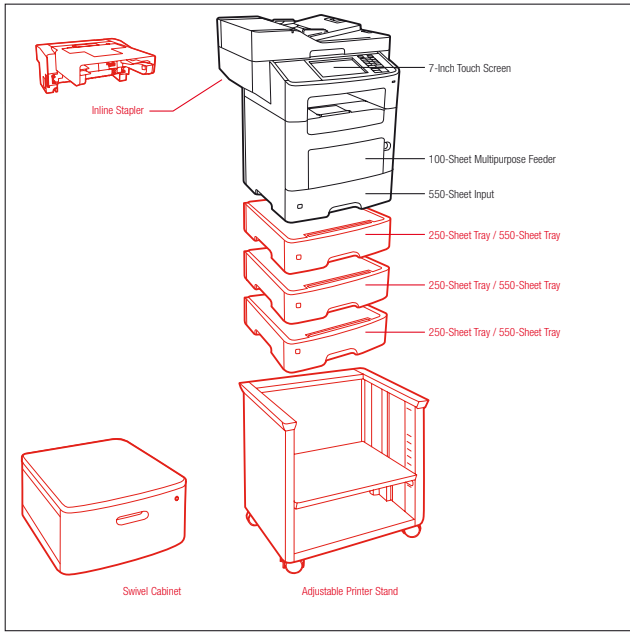
Specified Operating Environment

Altitude: 0 - 2896 Meters (9,500 Feet), Humidity: 8 to 80% Relative Humidity, Temperature: 16 to 32°C (60 to 90°F)



Standard
 Optional

| | | | |
|---------------|--|---------|----------------------|
| Part # | Model | 40X9108 | ADF Separator Roller |
| 35S6700 | Lexmark MX610de | | |
| Part # | Laser Toner/Print Cartridge | | |
| 60F1X00 | 601X Extra High Yield Return Program Toner Cartridge | | |
| 60F1H00 | 601H High Yield Return Program Toner Cartridge | | |
| 60F1000 | 601 Return Program Toner Cartridge | | |
| 60FOXAO | 600XA Extra High Yield Toner Cartridge | | |
| 50FOZ00 | 500Z Black Return Program Imaging Unit | | |
| 50FOZAO | 500ZA Black Imaging Unit | | |
| 35S8500 | MX61x, XM3150 Staple Cartridges | | |
| Part # | Paper Handling | | |
| 35S0567 | 550-Sheet Tray | | |
| 35S0267 | 250-Sheet Tray | | |
| 35S8000 | MX61x Inline Stapler | | |
| Part # | Furniture | | |
| 35S8502 | Adjustable Printer Stand | | |
| 3073173 | Swivel Cabinet | | |
| Part # | Memory Options | | |
| 57X9016 | 1024MbX32 DDR3-DRAM | | |
| 57X9012 | 2048MbX32 DDR3-DRAM | | |
| 57X9101 | 256MB Flash Memory Card | | |
| 27X0210 | 160+ GB Hard Disk | | |
| 57X9115 | Japanese Font Card | | |
| 57X9114 | Korean Font Card | | |
| 57X9112 | Simplified Chinese Font Card | | |
| 57X9110 | Traditional Chinese Font Card | | |
| Part # | Application Solutions | | |
| 35S6851 | MX61x Card for IPDS | | |
| 35S6850 | MX61x Forms and Bar Code Card | | |
| 35S6852 | MX61x Card for PRESCRIBE Emulation | | |
| Part # | Connectivity | | |
| 1021294 | USB Cable (2-meter) | | |
| 27X0903 | Lexmark MarkNet 8350 802.11b/g/n Wireless | | |
| 27X0901 | Parallel 1284-B Interface Card | | |
| 1021231 | Parallel Cable (10-foot) | | |
| 27X0900 | RS-232C Serial Interface Card | | |
| Part # | Extended Warranties | | |
| 2355602 | MX610, MX611 2-Years Total (1+1) Onsite Service | | |
| 2355603 | MX610, MX611 3-Years Total (1+2) Onsite Service | | |
| 2355604 | MX610, MX611 4-Years Total (1+3) Onsite Service | | |
| 2355605 | MX610, MX611 5-Years Total (1+4) Onsite Service | | |
| 2355606 | MX610, MX611 1-Year Onsite Service Renewal | | |
| Part # | Service Parts | | |
| 40X9137 | MX61x Fuser Maintenance Kit, 110-120V | | |



Standard
 Optional

| | | | |
|---------------|--|---------|----------------------|
| Part # | Model | 40X9108 | ADF Separator Roller |
| 35S6701 | Lexmark MX611de | | |
| Part # | Laser Toner/Print Cartridge | | |
| 60F1X00 | 601X Extra High Yield Return Program Toner Cartridge | | |
| 60F1H00 | 601H High Yield Return Program Toner Cartridge | | |
| 60F1000 | 601 Return Program Toner Cartridge | | |
| 60FOXAO | 600XA Extra High Yield Toner Cartridge | | |
| 50FOZ00 | 500Z Black Return Program Imaging Unit | | |
| 50FOZAO | 500ZA Black Imaging Unit | | |
| 35S8500 | MX61x, XM3150 Staple Cartridges | | |
| Part # | Paper Handling | | |
| 35S0567 | 550-Sheet Tray | | |
| 35S0267 | 250-Sheet Tray | | |
| 35S8000 | MX61x Inline Stapler | | |
| Part # | Furniture | | |
| 35S8502 | Adjustable Printer Stand | | |
| 3073173 | Swivel Cabinet | | |
| Part # | Memory Options | | |
| 57X9016 | 1024MbX32 DDR3-DRAM | | |
| 57X9012 | 2048MbX32 DDR3-DRAM | | |
| 57X9101 | 256MB Flash Memory Card | | |
| 27X0210 | 160+ GB Hard Disk | | |
| 57X9115 | Japanese Font Card | | |
| 57X9114 | Korean Font Card | | |
| 57X9112 | Simplified Chinese Font Card | | |
| 57X9110 | Traditional Chinese Font Card | | |
| Part # | Application Solutions | | |
| 35S6851 | MX61x Card for IPDS | | |
| 35S6850 | MX61x Forms and Bar Code Card | | |
| 35S6852 | MX61x Card for PRESCRIBE Emulation | | |
| Part # | Connectivity | | |
| 1021294 | USB Cable (2-meter) | | |
| 27X0903 | Lexmark MarkNet 8350 802.11b/g/n Wireless | | |
| 27X0901 | Parallel 1284-B Interface Card | | |
| 1021231 | Parallel Cable (10-foot) | | |
| 27X0900 | RS-232C Serial Interface Card | | |
| Part # | Extended Warranties | | |
| 2355602 | MX610, MX611 2-Years Total (1+1) Onsite Service | | |
| 2355603 | MX610, MX611 3-Years Total (1+2) Onsite Service | | |
| 2355604 | MX610, MX611 4-Years Total (1+3) Onsite Service | | |
| 2355605 | MX610, MX611 5-Years Total (1+4) Onsite Service | | |
| 2355606 | MX610, MX611 1-Year Onsite Service Renewal | | |
| Part # | Service Parts | | |
| 40X9137 | MX61x Fuser Maintenance Kit, 110-120V | | |



Lexmark MX611dte

The Lexmark MX611dte with fax helps propel your business forward with productivity solutions, 2-sided printing and more paper capacity—plus fast processor, print, copy and scan speeds.

Print Technology

Monochrome Laser

Function

Printing, Network Scanning, Faxing, Copying, Color Scanning

Display

Lexmark e-Task 7-inch (17.8 cm) color touch screen

Print Speed (Letter, Black)

Up to 50 ppm

Print Speed (Letter, Black) Duplex

Up to 22 ppm

Time to First Page (Black)

As fast as 6.5 seconds

Copy Speed (Letter, Black)

Up to 50 cpm

Time to First Copy (Black)

As fast as 6.5 seconds

Print Resolution, Black

600 x 600 dpi, 1200 Image Quality, 2400 Image Quality, 1200 x 1200 dpi

ADF Scan

RADF (Reversing Duplex)

Optical Scanning Resolution

1200 X 600 ppi (black), 600 X 600 ppi (color)

Processor

Dual Core, 800 MHz

Memory, Standard

1024 MB

Memory, Maximum

3072 MB

Hard Disk

Option available

Expandable Memory Options

Yes

Apple Macintosh Operating Systems Supported

Mac OS X (10.5, 10.6, 10.7, 10.8)

Linux Operating Systems Supported

Fedora 14, 15, 16, 17, Red Hat Enterprise Linux WS 4.0, 5.0, 6.0, Linpus Linux Desktop 9.6, SUSE Linux Enterprise Server 10, 11, SUSE Linux Enterprise Desktop 10, 11, Red Hat Linux Desktop 6.0, Debian GNU/Linux 5.0, 6.0, Ubuntu 11.04, 11.10, 12.04, Mint 9, 10, 11, 12, PCLinuxOS 2011.9, openSUSE 11.3, 11.4, 12.1

Microsoft Windows Operating Systems Supported

Server 2012, 8 x64, Server 2008 R2, Server 2008 R2 running Terminal Services, 8, Windows 7 x64, Server 2008 x64 running Terminal Services, Server 2008 x64, XP, Server 2003, XP x64, Server 2003 running Terminal Services, Server 2003 x64, Server 2003 x64 running Terminal Services, Vista, Vista x64, Server 2008, Server 2008 running Terminal Services, Windows 7

Novell Operating Systems Supported

Open Enterprise Server on SUSE Linux Enterprise Server, NetWare 5.1(SP 6+), 6.0(SP 3+) with Novell Distributed Print Services (NDPS), NetWare 6.5 Open Enterprise Server

UNIX Operating Systems Supported

IBM AIX 5.3, 6.1, 7.1, HP-UX 11.11, 11.23, 11.31, Sun Solaris SPARC 9, 10, Sun Solaris x86 10, 11

Included Paper Handling

550-Sheet Tray, 100-Sheet Multipurpose Feeder, 550-Sheet Input, Integrated Duplex, 250-Sheet Output Bin

Optional Paper Handling

Inline Stapler, 250-Sheet Tray, 550-Sheet Tray

Paper Input Capacity, Standard: Up to

1200 pages 20 lb or 75 gsm bond

Paper Input Capacity, Maximum: Up to

2300 pages 20 lb or 75 gsm bond

Paper Output Capacity, Standard: Up to

250 pages 20 lb or 75 gsm bond

Paper Output Capacity, Maximum: Up to

250 pages 20 lb or 75 gsm bond

ADF Paper Input Capacity

Up to 50 pages 20 lb or 75 gsm bond

Finishing Option

Yes

Number of Paper Inputs, Standard

3

Number of Paper Inputs, Maximum

5

Media Types Supported

Refer to the Card Stock & Label Guide, Plain Paper, Envelopes, Card Stock, Paper Labels, Transparencies

Media Sizes Supported

A6, Oficio, Universal, Statement, Folio, DL Envelope, A4, 7 3/4 Envelope, 10 Envelope, 9 Envelope, A5, Executive, JIS-B5, Legal, Letter

Standard Ports

Rear USB 2.0 Specification Hi-Speed Certified Port (Type A), USB 2.0 Specification Hi-Speed Certified (Type B), One Internal Card Slot, Gigabit Ethernet (10/100/1000), Front USB 2.0 Specification Hi-Speed Certified Port (Type A)

Optional Network Ports

Internal MarkNet N8350 802.11b/g/n Wireless

Optional Local Ports

Internal 1284-B Bidirectional Parallel, Internal RS-232C serial

Network Printing Methods

IPP 1.0, 1.1, 2.0 (Internet Printing Protocol), Enhanced IP (Port 9400), FTP, TFTP, ThinPrint .print integration, Direct IP (Port 9100), LPR/LPD

Network Protocol Support

UDP, TCP, AppleTalk™, TCP/IP IPv4, TCP/IP IPv6

Network Security

IPSec, SNMPv3, 802.1x Authentication: MD5, MSCHAPv2, LEAP, PEAP, TLS, TTLS

Printer Languages (Standard)

PDF 1.7 emulation, PostScript 3 Emulation, PCL 5e Emulation, PCL 6 Emulation, Personal Printer Data Stream (PPDS), Direct Image, Microsoft XPS (XML Paper Specification)

Reduce / Enlarge Range

25 - 400 %

Scan Area, Maximum

215.9 x 355.6 mm

Scan Area, Maximum

8.5 x 14 inches

Modem Speed

ITU T.30, V.34 Half-Duplex, 33.6 Kbps

Laser Cartridge Yields

20,000*-page Extra High Yield Cartridge, 10,000*-page High Yield Cartridge, 2,500*-page Cartridge

Cartridge(s) Shipping with Product

7,500*-page Starter Return Program Toner Cartridge

Replacement Cartridges:

Product functions only with replacement cartridges designed for use in a specific geographical region. See www.lexmark.com/regions for more details.

Packaged Size (mm - H x W x D)

866 x 572 x 599 mm

Size (mm - H x W x D)

669 x 489 x 479 mm

Packaged Size (in. - H x W x D)

34.1 x 22.56 x 23.58 in.

Size (in. - H x W x D)

26.3 x 19.3 x 18.9 in.

Weight (kg)

28.3 kg

Weight (lb.)

62.4 lb.

Noise Level, Idle

Inaudible dBA

Print Noise Level, Operating

55 dBA

Copy Noise Level, Operating

56 dBA

Scan Noise Level, Operating

55 dBA

Product Warranty

1-Year Onsite Service, Next Business Day

Product Certifications

Energy Star V1.2, Blue Angel (RAL-UZ-122), CAN/CSA-C22-2 60950-1, CSA E60825-1, ICES-003 Class B, BSMI Class B, CNS 13438, VCCI Class B, US FDA, FCC Class B, UL 60950-1, IEC 320-1, EN/IEC 60320-1, CE Class B, CB IEC 60950-1, EN 62311, EN 60950-1, EN/IEC 61000-3, EN 55022 Class B, EN 55024, EN/IEC 60825-1, GS (TUV), SEMKO, UL AR, CS, TÜV Rh, SMA C-lick mark Class B, CCC Class B, CISPIR 22 Class B, EK Mark, N Mark, ECMA-370, TED

Maximum Monthly Duty Cycle

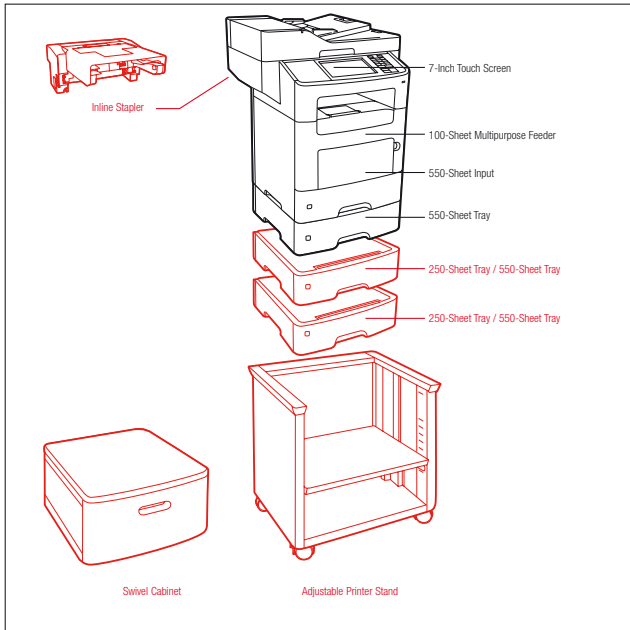
Up to 150,000 pages per month

Recommended Monthly Page Volume

2000 - 15,000 pages

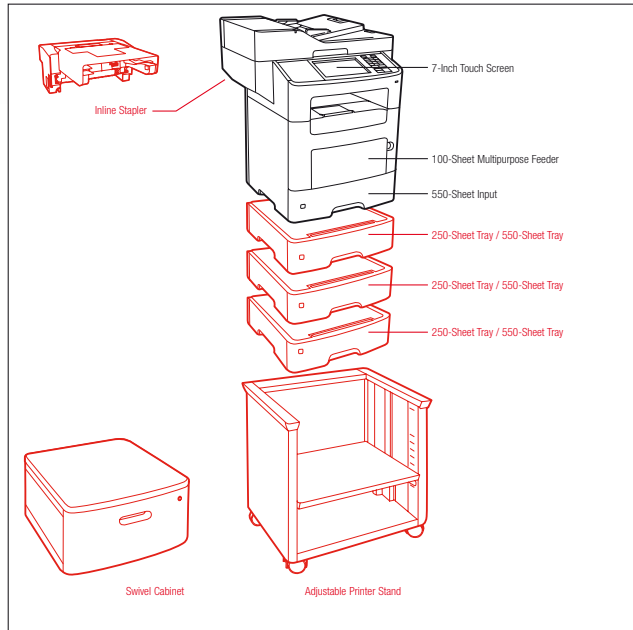
Specified Operating Environment

Altitude: 0 - 2896 Meters (9,500 Feet), Temperature: 16 to 32°C (60 to 90°F), Humidity: 8 to 80% Relative Humidity



Standard
 Optional

| | | | |
|---------------|--|---------|----------------------|
| Part # | Model | 40X9108 | ADF Separator Roller |
| 35S8000 | Lexmark MX611 dte | | |
| Part # | Laser Toner/Print Cartridge | | |
| 60F1X00 | 601X Extra High Yield Return Program Toner Cartridge | | |
| 60F1H00 | 601H High Yield Return Program Toner Cartridge | | |
| 60F1000 | 601 Return Program Toner Cartridge | | |
| 60FOX0A | 600XA Extra High Yield Toner Cartridge | | |
| 50FOZ00 | 500Z Black Return Program Imaging Unit | | |
| 50FOZ0A | 500ZA Black Imaging Unit | | |
| 35S8500 | MX61x, XM3150 Staple Cartridges | | |
| Part # | Paper Handling | | |
| 35S0567 | 550-Sheet Tray | | |
| 35S0267 | 250-Sheet Tray | | |
| 35S8000 | MX61x Inline Stapler | | |
| Part # | Furniture | | |
| 35S8502 | Adjustable Printer Stand | | |
| 3073173 | Swivel Cabinet | | |
| Part # | Memory Options | | |
| 57X9016 | 1024MbX32 DDR3-DRAM | | |
| 57X9012 | 2048MbX32 DDR3-DRAM | | |
| 57X9101 | 256MB Flash Memory Card | | |
| 27X0210 | 160+ GB Hard Disk | | |
| 57X9115 | Japanese Font Card | | |
| 57X9114 | Korean Font Card | | |
| 57X9112 | Simplified Chinese Font Card | | |
| 57X9110 | Traditional Chinese Font Card | | |
| Part # | Application Solutions | | |
| 35S6851 | MX61x Card for IPDS | | |
| 35S6850 | MX61x Forms and Bar Code Card | | |
| 35S6852 | MX61x Card for PRESCRIBE Emulation | | |
| Part # | Connectivity | | |
| 1021294 | USB Cable (2-meter) | | |
| 27X0903 | Lexmark MarkNet 8350 802.11b/g/n Wireless | | |
| 27X0901 | Parallel 1284-B Interface Card | | |
| 1021231 | Parallel Cable (10-foot) | | |
| 27X0900 | RS-232C Serial Interface Card | | |
| Part # | Extended Warranties | | |
| 2355602 | MX610, MX611 2-Years Total (1+1) Onsite Service | | |
| 2355603 | MX610, MX611 3-Years Total (1+2) Onsite Service | | |
| 2355604 | MX610, MX611 4-Years Total (1+3) Onsite Service | | |
| 2355605 | MX610, MX611 5-Years Total (1+4) Onsite Service | | |
| 2355606 | MX610, MX611 1-Year Onsite Service Renewal | | |
| Part # | Service Parts | | |
| 40X9137 | MX61x Fuser Maintenance Kit, 110-120V | | |



Standard
 Optional

| | | | |
|---------------|--|---------|----------------------|
| Part # | Model | 40X9108 | ADF Separator Roller |
| 35S6702 | Lexmark MX611 dxe | | |
| Part # | Laser Toner/Print Cartridge | | |
| 60F1X00 | 601X Extra High Yield Return Program Toner Cartridge | | |
| 60F1H00 | 601H High Yield Return Program Toner Cartridge | | |
| 60F1000 | 601 Return Program Toner Cartridge | | |
| 60FOX0A | 600XA Extra High Yield Toner Cartridge | | |
| 50FOZ00 | 500Z Black Return Program Imaging Unit | | |
| 50FOZ0A | 500ZA Black Imaging Unit | | |
| 35S8500 | MX61x, XM3150 Staple Cartridges | | |
| Part # | Paper Handling | | |
| 35S0567 | 550-Sheet Tray | | |
| 35S0267 | 250-Sheet Tray | | |
| 35S8000 | MX61x Inline Stapler | | |
| Part # | Furniture | | |
| 35S8502 | Adjustable Printer Stand | | |
| 3073173 | Swivel Cabinet | | |
| Part # | Memory Options | | |
| 57X9016 | 1024MbX32 DDR3-DRAM | | |
| 57X9012 | 2048MbX32 DDR3-DRAM | | |
| 57X9101 | 256MB Flash Memory Card | | |
| 57X9115 | Japanese Font Card | | |
| 57X9114 | Korean Font Card | | |
| 57X9112 | Simplified Chinese Font Card | | |
| 57X9110 | Traditional Chinese Font Card | | |
| Part # | Application Solutions | | |
| 35S6851 | MX61x Card for IPDS | | |
| 35S6850 | MX61x Forms and Bar Code Card | | |
| 35S6852 | MX61x Card for PRESCRIBE Emulation | | |
| Part # | Connectivity | | |
| 1021294 | USB Cable (2-meter) | | |
| 27X0903 | Lexmark MarkNet 8350 802.11b/g/n Wireless | | |
| 27X0901 | Parallel 1284-B Interface Card | | |
| 1021231 | Parallel Cable (10-foot) | | |
| 27X0900 | RS-232C Serial Interface Card | | |
| Part # | Extended Warranties | | |
| 2355602 | MX610, MX611 2-Years Total (1+1) Onsite Service | | |
| 2355603 | MX610, MX611 3-Years Total (1+2) Onsite Service | | |
| 2355604 | MX610, MX611 4-Years Total (1+3) Onsite Service | | |
| 2355605 | MX610, MX611 5-Years Total (1+4) Onsite Service | | |
| 2355606 | MX610, MX611 1-Year Onsite Service Renewal | | |
| Part # | Service Parts | | |
| 40X9137 | MX61x Fuser Maintenance Kit, 110-120V | | |



Lexmark MX710de

The Lexmark MX710de delivers productivity solutions and 2-sided printing—plus faster print, copy and scan speeds—proving you can't get too much of a good thing.

Print Technology

Monochrome Laser

Function

Printing, Network Scanning, Faxing, Copying, Color Scanning

Display

Lexmark e-Task 7-inch (17.8 cm) color touch screen

Print Speed (Letter, Black)

Up to 63 ppm

Print Speed (Letter, Black) Duplex

Up to 38 ppm

Time to First Page (Black)

As fast as 4.4 seconds

Copy Speed (Letter, Black)

Up to 63 cpm

Time to First Copy (Black)

As fast as 4.2 seconds

Print Resolution, Black

600 x 600 dpi, 1200 Image Quality, 2400 Image Quality, 1200 x 1200 dpi

ADF Scan

DADF (Single Pass Duplex)

Optical Scanning Resolution

600 X 600 ppi (black), 300 X 300 ppi (color)

Processor

Dual Core, 800 MHz

Memory, Standard

512 MB

Memory, Maximum

2560 MB

Hard Disk

Option available

Expandable Memory Options

Yes

Apple Macintosh Operating Systems Supported

Mac OS X (10.5, 10.6, 10.7, 10.8)

Linux Operating Systems Supported

Fedora 14, 15, 16, 17, Red Hat Enterprise Linux WS 4.0, 5.0, 6.0, Linux Desktop 9.6, SUSE Linux Enterprise Server 10, 11, SUSE Linux Enterprise Desktop 10, 11, Red Hat Linux Desktop 6.0, Debian GNU/Linux 5.0, 6.0, Ubuntu 11.04, 11.10, 12.04, Mint 9, 10, 11, 12, PCLinuxOS 2011.9, openSUSE 11.3, 11.4, 12.1

Microsoft Windows Operating Systems Supported

Server 2012, 8 x64, Server 2008 R2, Server 2008 R2 running Terminal Services, 8, Windows 7 x64, Server 2008 x64 running Terminal Services, Server 2008 x64, XP, Server 2003, XP x64, Server 2003 running Terminal Services, Server 2003 x64, Server 2003 x64 running Terminal Services, Vista, Vista x64, Server 2008, Server 2008 running Terminal Services, Windows 7

Novell Operating Systems Supported

Open Enterprise Server on SUSE Linux Enterprise Server, NetWare 5.1 (SP 6+), 6.0 (SP 3+) with Novell Distributed Print Services (NDPS), NetWare 6.5 Open Enterprise Server

UNIX Operating Systems Supported

IBM AIX 5.3, 6.1, 7.1, HP-UX 11.11, 11.23, 11.31, Sun Solaris SPARC 9, 10, Sun Solaris x86 10, 11

Included Paper Handling

Integrated Duplex, 550-Sheet Output Bin, 100-Sheet Multipurpose Feeder, 550-Sheet Input

Optional Paper Handling

550-Sheet Lockable Tray, 2100-Sheet Tray, 250-Sheet Tray, 550-Sheet Tray, 250-Sheet Lockable Tray

Paper Input Capacity, Standard: Up to

650 pages 20 lb or 75 gsm bond

Paper Input Capacity, Maximum: Up to

3300 pages 20 lb or 75 gsm bond

Paper Output Capacity, Standard: Up to

550 pages 20 lb or 75 gsm bond

Paper Output Capacity, Maximum: Up to

550 pages 20 lb or 75 gsm bond

ADF Paper Input Capacity

Up to 150 pages 20 lb or 75 gsm bond

Finishing Option

No

Number of Paper Inputs, Standard

2

Number of Paper Inputs, Maximum

5

Media Types Supported

Refer to the Card Stock & Label Guide, Paper Labels, Integrated Labels, Dual Web Labels, Card Stock, Envelopes, Transparencies, Plain Paper

Media Sizes Supported

A6, Oficio, Universal, Statement, Folio, DL Envelope, B5 Envelope, A4, 7 3/4 Envelope, 10 Envelope, 9 Envelope, A5, C5 Envelope, Executive, JIS-B5, Legal, Letter

Standard Ports

Rear USB 2.0 Specification Hi-Speed Certified Port (Type A), USB 2.0 Specification Hi-Speed Certified (Type B), One Internal Card Slot, Gigabit Ethernet (10/100/1000), Front USB 2.0 Specification Hi-Speed Certified Port (Type A)

Optional Network Ports

Internal MarkNet N8350 802.11b/g/n Wireless

Optional Local Ports

Internal 1284-B Bidirectional Parallel, Internal RS-232C serial

Network Printing Methods

IPP 1.0, 1.1, 2.0 (Internet Printing Protocol), FTP, TFTP, ThinPrint .print integration, Telnet, Enhanced IP (Port 9400), LPR/LPD, Direct IP (Port 9100)

Network Protocol Support

UDP, TCP, AppleTalk™, TCP/IP IPv4, TCP/IP IPv6

Network Security

IPSec, SNMPv3, 802.1x Authentication: MD5, MSCHAPv2, LEAP, PEAP, TLS, TTLS

Printer Languages (Standard)

PDF 1.7 emulation, PostScript 3 Emulation, PCL 5e Emulation, PCL 6 Emulation, Personal Printer Data Stream (PPDS), Direct Image, Microsoft XPS (XML Paper Specification)

Reduce / Enlarge Range

25 - 400 %

Scan Area, Maximum

215.9 x 355.6 mm

Scan Area, Maximum

8.5 x 14.0 inches

Modem Speed

ITU T.30, V.34 Half-Duplex, 33.6 Kbps

Laser Cartridge Yields

25,000*-page High Yield Cartridge, 6,000*-page Cartridge

Cartridge(s) Shipping with Product

10,000*-page Starter Return Program Toner Cartridge

Replacement Cartridges:

Product functions only with replacement cartridges designed for use in a specific geographical region. See www.lexmark.com/regions for more details.

Packaged Size (mm - H x W x D)

1017 x 735 x 700 mm

Size (mm - H x W x D)

727 x 548 x 578 mm

Packaged Size (in. - H x W x D)

40.04 x 28.94 x 27.56 in.

Size (in. - H x W x D)

28.6 x 21.6 x 22.8 in.

Weight (kg)

43.3 kg

Weight (lb.)

95.4 lb.

Noise Level, Idle

33 dBA

Print Noise Level, Operating

57 dBA

Copy Noise Level, Operating

58 dBA

Scan Noise Level, Operating

57 dBA

Product Warranty

1-Year Onsite Service, Next Business Day

Product Certifications

Energy Star V1.2, Blue Angel (RAL-UZ-122), CAN/CSA-C22.2 60950-1, CSA E60825-1, ICES-003 Class A, BSMI Class A, CNS 13438, VCCI Class A, US FDA, FCC Class A, UL 60950-1, IEC 320-1, EN/IEC 60320-1, CE Class A, CB IEC 60950-1, EN 62311, EN 60950-1, EN/IEC 61000-3, EN 55022 Class A, EN 55024, EN/IEC 60825-1, GS (TUV), SEMKO, UL AR, CS, TÜV Rh, SMA C-tick mark Class A, CCC Class A, CISPR 22 Class A, EK Mark, N Mark, ECMA-370, TED

Maximum Monthly Duty Cycle

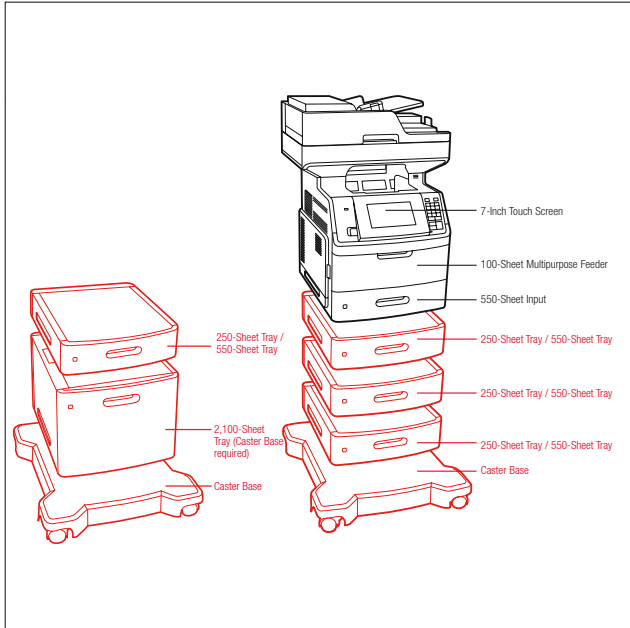
Up to 275000 pages per month

Recommended Monthly Page Volume

5000 - 30000 pages

Specified Operating Environment

Altitude: 0 - 2896 Meters (9,500 Feet), Humidity: 8 to 80% Relative Humidity, Temperature: 16 to 32°C (60 to 90°F)



Standard
 Optional

| Part # | Model |
|---------|-----------------|
| 24T7401 | Lexmark MX710de |

| Part # | Laser Toner/Print Cartridge |
|---------|--|
| 62D1H00 | 621H High Yield Return Program Toner Cartridge |
| 62D1000 | 621 Return Program Toner Cartridge |
| 52D0Z00 | 520Z Black Return Program Imaging Unit |
| 52D0Z0A | 520ZA Black Imaging Unit |
| 62D0HA0 | 620HA High Yield Toner Cartridge |

| Part # | Paper Handling |
|---------|-------------------------|
| 40G0804 | 2100-Sheet Tray |
| 40G0802 | 550-Sheet Tray |
| 40G0800 | 250-Sheet Tray |
| 40G0822 | 550-Sheet Lockable Tray |
| 40G0820 | 250-Sheet Lockable Tray |
| 40G0854 | 4.3 in. (11 cm) Spacer |

| Part # | Furniture |
|---------|----------------|
| 40G0855 | Caster Base |
| 3073173 | Swivel Cabinet |

| Part # | Memory Options |
|---------|-------------------------------|
| 57X9016 | 1024MBx32 DDR3-DRAM |
| 57X9012 | 2048MBx32 DDR3-DRAM |
| 57X9101 | 256MB Flash Memory Card |
| 27X0200 | 160+ GB Hard Disk |
| 57X9115 | Japanese Font Card |
| 57X9114 | Korean Font Card |
| 57X9112 | Simplified Chinese Font Card |
| 57X9110 | Traditional Chinese Font Card |

| Part # | Application Solutions |
|---------|------------------------------|
| 24T7352 | Card for IPDS |
| 24T7351 | Forms and Bar Code Card |
| 24T7353 | Card for PRESCRIBE Emulation |

| Part # | Connectivity |
|---------|---|
| 1021294 | USB Cable (2-meter) |
| 27X0225 | MarkNet N8350 802.11b/g/n Wireless Print Server |
| 14F0000 | Parallel 1284-B Interface Card |
| 1021231 | Parallel Cable (10-foot) |
| 14F0100 | RS-232C Serial Interface Card |

| Part # | Extended Warranties |
|---------|--|
| 2355108 | MX710 2-Years Total (1+1) Onsite Service |
| 2355109 | MX710 3-Years Total (1+2) Onsite Service |
| 2355110 | MX710 4-Years Total (1+3) Onsite Service |
| 2355111 | MX710 5-Years Total (1+4) Onsite Service |
| 2355112 | MX710 1-Year Onsite Service Renewal |

| Part # | User Replaceable Parts |
|---------|--|
| 40X7706 | Roller Maintenance Kit |
| 40X8431 | ADF Maintenance Kit |
| 40X8420 | Return Program Fuser Maintenance kit, 110-120V Type 00, Letter |
| 40X7743 | Return Program Fuser, 110-120V Type 00, Letter |
| 40X8425 | Fuser Maintenance kit, 110-120V, Type 05, Letter |
| 40X8016 | Fuser, 110-120V Type 05, Letter |



Lexmark MX710dhe

The Lexmark MX710dhe delivers productivity solutions, 2-sided printing and more data capacity—plus faster print, copy and scan speeds—proving you can't get too much of a good thing.

Print Technology

Monochrome Laser

Function

Printing, Network Scanning, Faxing, Copying, Color Scanning

Display

Lexmark e-Task 7-inch (17.8 cm) color touch screen

Print Speed (Letter, Black)

Up to 63 ppm

Print Speed (Letter, Black) Duplex

Up to 38 ppm

Time to First Page (Black)

As fast as 4.4 seconds

Copy Speed (Letter, Black)

Up to 63 cpm

Time to First Copy (Black)

As fast as 4.2 seconds

Print Resolution, Black

600 x 600 dpi, 1200 Image Quality, 2400 Image Quality, 1200 x 1200 dpi

ADF Scan

DADF (Single Pass Duplex)

Optical Scanning Resolution

600 X 600 ppi (black), 300 X 300 ppi (color)

Processor

Dual Core, 800 MHz

Memory, Standard

512 MB

Memory, Maximum

2560 MB

Hard Disk

Included in configuration

Expandable Memory Options

Yes

Apple Macintosh Operating Systems Supported

Mac OS X (10.5, 10.6, 10.7, 10.8)

Linux Operating Systems Supported

Fedora 14, 15, 16, 17, Red Hat Enterprise Linux WS 4.0, 5.0, 6.0, Linux Desktop 9.6, SUSE Linux Enterprise Server 10, 11, SUSE Linux Enterprise Desktop 10, 11, Red Hat Linux Desktop 6.0, Debian GNU/Linux 5.0, 6.0, Ubuntu 11.04, 11.10, 12.04, Mint 9, 10, 11, 12, PCLinuxOS 2011.9, openSUSE 11.3, 11.4, 12.1

Microsoft Windows Operating Systems Supported

Server 2012, 8 x64, Server 2008 R2, Server 2008 R2 running Terminal Services, 8, Windows 7 x64, Server 2008 x64 running Terminal Services, Server 2008 x64, XP, Server 2003, XP x64, Server 2003 running Terminal Services, Server 2003 x64, Server 2003 x64 running Terminal Services, Vista, Vista x64, Server 2008, Server 2008 running Terminal Services, Windows 7

Novell Operating Systems Supported

Open Enterprise Server on SUSE Linux Enterprise Server, NetWare 5.1 (SP 6+), 6.0 (SP 3+) with Novell Distributed Print Services (NDPS), NetWare 6.5 Open Enterprise Server

UNIX Operating Systems Supported

IBM AIX 5.3, 6.1, 7.1, HP-UX 11.11, 11.23, 11.31, Sun Solaris SPARC 9, 10, Sun Solaris x86 10, 11

Included Paper Handling

Integrated Duplex, 550-Sheet Output Bin, 100-Sheet Multipurpose Feeder, 550-Sheet Input

Optional Paper Handling

550-Sheet Lockable Tray, 550-Sheet Tray, 250-Sheet Tray, 2100-Sheet Tray, 250-Sheet Lockable Tray

Paper Input Capacity, Standard: Up to

650 pages 20 lb or 75 gsm bond

Paper Input Capacity, Maximum: Up to

3300 pages 20 lb or 75 gsm bond

Paper Output Capacity, Standard: Up to

550 pages 20 lb or 75 gsm bond

Paper Output Capacity, Maximum: Up to

550 pages 20 lb or 75 gsm bond

ADF Paper Input Capacity

Up to 150 pages 20 lb or 75 gsm bond

Finishing Option

No

Number of Paper Inputs, Standard

2

Number of Paper Inputs, Maximum

5

Media Types Supported

Refer to the Card Stock & Label Guide, Paper Labels, Integrated Labels, Dual Web Labels, Card Stock, Envelopes, Transparencies, Plain Paper

Media Sizes Supported

A6, Oficio, Universal, Statement, Folio, DL Envelope, B5 Envelope, A4, 7 3/4 Envelope, 10 Envelope, 9 Envelope, A5, C5 Envelope, Executive, JIS-B5, Legal, Letter

Standard Ports

Rear USB 2.0 Specification Hi-Speed Certified Port (Type A), USB 2.0 Specification Hi-Speed Certified (Type B), One Internal Card Slot, Gigabit Ethernet (10/100/1000), Front USB 2.0 Specification Hi-Speed Certified Port (Type A)

Optional Network Ports

Internal MarkNet N8350 802.11b/g/n Wireless

Optional Local Ports

Internal 1284-B Bidirectional Parallel, Internal RS-232C serial

Network Printing Methods

IPP 1.0, 1.1, 2.0 (Internet Printing Protocol), FTP, TFTP, ThinPrint, print integration, Telnet, Enhanced IP (Port 9400), LPR/LPD, Direct IP (Port 9100)

Network Protocol Support

UDP, TCP, AppleTalk™, TCP/IP IPv4, TCP/IP IPv6

Network Security

IPSec, SNMPv3, 802.1x Authentication: MD5, MSCHAPv2, LEAP, PEAP, TLS, TTLS

Printer Languages (Standard)

PDF 1.7 emulation, PostScript 3 Emulation, PCL 5e Emulation, PCL 6 Emulation, Personal Printer Data Stream (PPDS), Direct Image, Microsoft XPS (XML Paper Specification)

Reduce / Enlarge Range

25 - 400 %

Scan Area, Maximum

215.9 x 355.6 mm

Scan Area, Maximum

8.5 x 14.0 inches

Modem Speed

ITU T.30, V.34 Half-Duplex, 33.6 Kbps

Laser Cartridge Yields

25,000*-page High Yield Cartridge, 6,000*-page Cartridge

Cartridge(s) Shipping with Product

10,000*-page Starter Return Program Toner Cartridge

Replacement Cartridges:

Product functions only with replacement cartridges designed for use in a specific geographical region. See www.lexmark.com/regions for more details.

Packaged Size (mm - H x W x D)

1017 x 735 x 700 mm

Size (mm - H x W x D)

727 x 548 x 578 mm

Packaged Size (in. - H x W x D)

40.04 x 28.94 x 27.56 in.

Size (in. - H x W x D)

28.6 x 21.6 x 22.8 in.

Weight (kg)

43.3 kg

Weight (lb.)

95.4 lb.

Noise Level, Idle

33 dBA

Print Noise Level, Operating

57 dBA

Copy Noise Level, Operating

58 dBA

Scan Noise Level, Operating

57 dBA

Product Warranty

1-Year Onsite Service, Next Business Day

Product Certifications

Energy Star V1.2, Blue Angel (RAL-UZ-122), CAN/CSA-C22.2 60950-1, CSA E60825-1, ICES-003 Class A, BSMI Class A, CNS 13438, VCCI Class A, US FDA, FCC Class A, UL 60950-1, IEC 320-1, EN/IEC 60320-1, CE Class A, CB IEC 60950-1, EN 62311, EN 60950-1, EN/IEC 61000-3, EN 55022 Class A, EN 55024, EN/IEC 60825-1, GS (TUV), SEMKO, UL AR, CS, TÜV Rh, SMA C-tick mark Class A, CCC Class A, CISPIR 22 Class A, EK Mark, N Mark, ECMA-370, TED

Maximum Monthly Duty Cycle

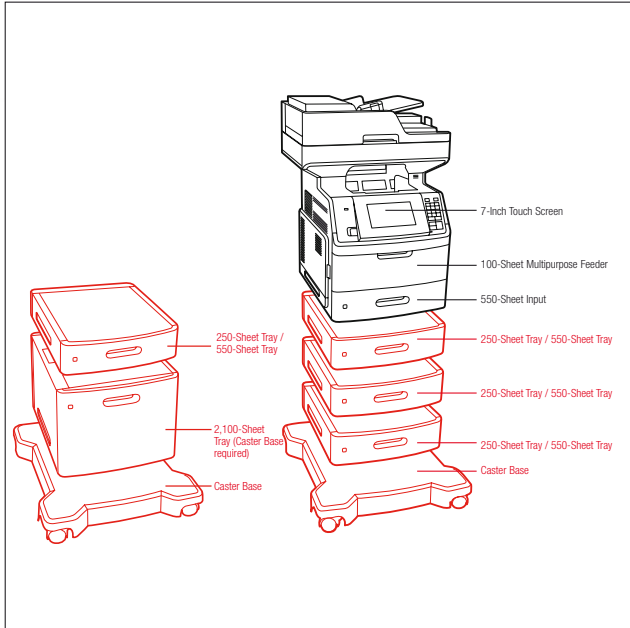
Up to 275000 pages per month

Recommended Monthly Page Volume

5000 - 30000 pages

Specified Operating Environment

Altitude: 0 - 2896 Meters (9,500 Feet), Humidity: 8 to 80% Relative Humidity, Temperature: 16 to 32°C (60 to 90°F)



Standard
 Optional

| Part # | Model |
|---------|------------------|
| 24T7310 | Lexmark MX710dhe |

| Part # | Laser Toner/Print Cartridge |
|---------|--|
| 62D1H00 | 621H High Yield Return Program Toner Cartridge |
| 62D1000 | 621 Return Program Toner Cartridge |
| 52D0Z00 | 520Z Black Return Program Imaging Unit |
| 52D0Z40 | 520ZA Black Imaging Unit |
| 62D0H40 | 620HA High Yield Toner Cartridge |

| Part # | Paper Handling |
|---------|-------------------------|
| 40G0804 | 2100-Sheet Tray |
| 40G0802 | 550-Sheet Tray |
| 40G0800 | 250-Sheet Tray |
| 40G0822 | 550-Sheet Lockable Tray |
| 40G0820 | 250-Sheet Lockable Tray |
| 40G0854 | 4.3 in. (11 cm) Spacer |

| Part # | Furniture |
|---------|----------------|
| 3073173 | Swivel Cabinet |
| 40G0855 | Caster Base |

| Part # | Memory Options |
|---------|-------------------------------|
| 57X9016 | 1024MBx32 DDR3-DRAM |
| 57X9012 | 2048MBx32 DDR3-DRAM |
| 57X9101 | 256MB Flash Memory Card |
| 57X9115 | Japanese Font Card |
| 57X9114 | Korean Font Card |
| 57X9112 | Simplified Chinese Font Card |
| 57X9110 | Traditional Chinese Font Card |

| Part # | Application Solutions |
|---------|------------------------------|
| 24T7352 | Card for IPDS |
| 24T7351 | Forms and Bar Code Card |
| 24T7353 | Card for PRESCRIBE Emulation |

| Part # | Connectivity |
|---------|---|
| 1021294 | USB Cable (2-meter) |
| 27X0225 | MarkNet N8350 802.11b/g/n Wireless Print Server |
| 14F0000 | Parallel 1284-B Interface Card |
| 1021231 | Parallel Cable (10-foot) |
| 14F0100 | RS-232C Serial Interface Card |

| Part # | Extended Warranties |
|---------|--|
| 2355108 | MX710 2-Years Total (1+1) Onsite Service |
| 2355109 | MX710 3-Years Total (1+2) Onsite Service |
| 2355110 | MX710 4-Years Total (1+3) Onsite Service |
| 2355111 | MX710 5-Years Total (1+4) Onsite Service |
| 2355112 | MX710 1-Year Onsite Service Renewal |

| Part # | User Replaceable Parts |
|---------|------------------------|
| 40X7706 | Roller Maintenance Kit |

| | |
|---------|--|
| 40X8431 | ADF Maintenance Kit |
| 40X8420 | Return Program Fuser Maintenance kit, 110-120V Type 00, Letter |
| 40X7743 | Return Program Fuser, 110-120V Type 00, Letter |
| 40X8425 | Fuser Maintenance kit, 110-120V, Type 05, Letter |
| 40X8016 | Fuser, 110-120V Type 05, Letter |



Lexmark MX711de

There's no such thing as too much of a good thing. The Lexmark MX711de delivers faster print, copy and scan speeds—plus productivity solutions and 2-sided printing.

Print Technology

Monochrome Laser

Function

Printing, Network Scanning, Faxing, Copying, Color Scanning

Display

Lexmark e-Task 10.2-inch (25.9 cm) color touch screen

Print Speed (Letter, Black)

Up to 70 ppm

Print Speed (Letter, Black) Duplex

Up to 42 ppm

Time to First Page (Black)

As fast as 4.0 seconds

Copy Speed (Letter, Black)

Up to 70 cpm

Time to First Copy (Black)

As fast as 4.0 seconds

Print Resolution, Black

600 x 600 dpi, 1200 Image Quality, 2400 Image Quality, 1200 x 1200 dpi

ADF Scan

DADF (Single Pass Duplex)

Optical Scanning Resolution

600 X 600 ppi (black), 300 X 300 ppi (color)

Processor

Dual Core, 800 MHz

Memory, Standard

1024 MB

Memory, Maximum

3072 MB

Hard Disk

Option available

Expandable Memory Options

Yes

Apple Macintosh Operating Systems Supported

Mac OS X (10.5, 10.6, 10.7, 10.8)

Linux Operating Systems Supported

Fedora 14, 15, 16, 17, Red Hat Enterprise Linux WS 4.0, 5.0, 6.0, Linpus Linux Desktop 9.6, SUSE Linux Enterprise Server 10, 11, SUSE Linux Enterprise Desktop 10, 11, Red Flag Linux Desktop 6.0, Debian GNU/Linux 5.0, 6.0, Ubuntu 11.04, 11.10, 12.04, Mint 9, 10, 11, 12, PCLinuxOS 2011.9, openSUSE 11.3, 11.4, 12.1

Microsoft Windows Operating Systems Supported

Server 2012, 8 x64, Server 2008 R2, Server 2008 R2 running Terminal Services, 8, Windows 7 x64, Server 2008 x64 running Terminal Services, Server 2008 x64, XP, Server 2003, XP x64, Server 2003 running Terminal Services, Server 2003 x64, Server 2003 x64 running Terminal Services, Vista, Vista x64, Server 2008, Server 2008 running Terminal Services, Windows 7

Novell Operating Systems Supported

Open Enterprise Server on SUSE Linux Enterprise Server, NetWare 5.1 (SP 6+), 6.0 (SP 3+) with Novell Distributed Print Services (NDPS), NetWare 6.5 Open Enterprise Server

UNIX Operating Systems Supported

IBM AIX 5.3, 6.1, 7.1, HP-UX 11.11, 11.23, 11.31, Sun Solaris SPARC 9, 10, Sun Solaris x86 10, 11

Included Paper Handling

Integrated Duplex, 550-Sheet Input, 550-Sheet Output Bin, 100-Sheet Multipurpose Feeder

Optional Paper Handling

550-Sheet Lockable Tray, 250-Sheet Lockable Tray, 550-Sheet Tray, 250-Sheet Tray, 2100-Sheet Tray

Paper Input Capacity, Standard: Up to

650 pages 20 lb or 75 gsm bond

Paper Input Capacity, Maximum: Up to

3300 pages 20 lb or 75 gsm bond

Paper Output Capacity, Standard: Up to

550 pages 20 lb or 75 gsm bond

Paper Output Capacity, Maximum: Up to

550 pages 20 lb or 75 gsm bond

ADF Paper Input Capacity

Up to 150 pages 20 lb or 75 gsm bond

Finishing Option

No

Number of Paper Inputs, Standard

2

Number of Paper Inputs, Maximum

5

Media Types Supported

Refer to the Card Stock & Label Guide, Paper Labels, Integrated Labels, Dual Web Labels, Card Stock, Envelopes, Transparencies, Plain Paper

Media Sizes Supported

A6, Oficio, Universal, Statement, Folio, DL Envelope, B5 Envelope, A4, 7 3/4 Envelope, 10 Envelope, 9 Envelope, A5, C5 Envelope, Executive, JIS-B5, Legal, Letter

Standard Ports

Rear USB 2.0 Specification Hi-Speed Certified Port (Type A), USB 2.0 Specification Hi-Speed Certified (Type B), One Internal Card Slot, Gigabit Ethernet (10/100/1000), Front USB 2.0 Specification Hi-Speed Certified Port (Type A)

Optional Network Ports

Internal MarkNet N8350 802.11b/g/n Wireless

Optional Local Ports

Internal 1284-B Bidirectional Parallel, Internal RS-232C serial

Network Printing Methods

IPP 1.0, 1.1, 2.0 (Internet Printing Protocol), FTP, TFTP, ThinPrint .print integration, Telnet, Enhanced IP (Port 9400), LPR/LPD, Direct IP (Port 9100)

Network Protocol Support

UDP, TCP, AppleTalk™, TCP/IP IPv4, TCP/IP IPv6

Network Security

IPSec, SNMPv3, 802.1x Authentication: MD5, MSCHAPv2, LEAP, PEAP, TLS, TTLS

Printer Languages (Standard)

PDF 1.7 emulation, PostScript 3 Emulation, PCL 5e Emulation, PCL 6 Emulation, Personal Printer Data Stream (PPDS), Direct Image, Microsoft XPS (XML Paper Specification)

Reduce / Enlarge Range

25 - 400 %

Scan Area, Maximum

215.9 x 355.6 mm

Scan Area, Maximum

8.5 x 14.0 inches

Modem Speed

ITU T.30, V.34 Half-Duplex, 33.6 Kbps

Laser Cartridge Yields

45,000*-page Extra High Yield Cartridge, 25,000*-page High Yield Cartridge, 6,000*-page Cartridge

Cartridge(s) Shipping with Product

25,000*-page High Yield Return Program Toner Cartridge

Replacement Cartridges:

Product functions only with replacement cartridges designed for use in a specific geographical region. See www.lexmark.com/regions for more details.

Packaged Size (mm - H x W x D)

101.7 x 735 x 700 mm

Size (mm - H x W x D)

727 x 548 x 578 mm

Packaged Size (in. - H x W x D)

40.04 x 28.94 x 27.56 in.

Size (in. - H x W x D)

28.6 x 21.6 x 22.8 in.

Weight (kg)

43.3 kg

Weight (lb.)

95.4 lb.

Noise Level, Idle

33 dBA

Print Noise Level, Operating

58 dBA

Copy Noise Level, Operating

58 dBA

Scan Noise Level, Operating

57 dBA

Product Warranty

1-Year Onsite Service, Next Business Day

Product Certifications

Energy Star V1.2, Blue Angel (RAL-UZ-122), CAN/CSA-C22.2 60950-1, CSA E60825-1, ICES-003 Class A, BSMI Class A, CIS 13438, VCCI Class A, US FDA, FCC Class A, UL 60950-1, IEC 320-1, EN/IEC 60320-1, CE Class A, CB IEC 60950-1, EN 62311, EN 60950-1, EN/IEC 61000-3, EN 55022 Class A, EN 55024, EN/IEC 60825-1, GS (TUV), SEMKO, UL AR, GS, TÜV Rh, SMA C-tick mark Class A, CCC Class A, CISPIR 22 Class A, EK Mark, N Mark, ECMA-370, TED

Maximum Monthly Duty Cycle

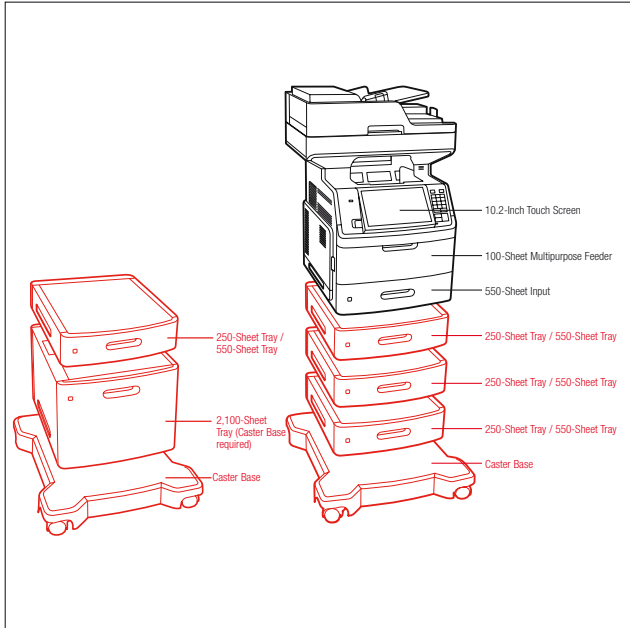
Up to 300000 pages per month

Recommended Monthly Page Volume

5000 - 30000 pages

Specified Operating Environment

Altitude: 0 - 2896 Meters (9,500 Feet), Humidity: 8 to 80% Relative Humidity, Temperature: 16 to 32°C (60 to 90°F)



Standard
 Optional

| Part # | Model |
|---------|-----------------|
| 24T7404 | Lexmark MX711de |

| Part # | Laser Toner/Print Cartridge |
|---------|--|
| 62D1X00 | 621X Extra High Yield Return Program Toner Cartridge |
| 62D1H00 | 621H High Yield Return Program Toner Cartridge |
| 62D1000 | 621 Return Program Toner Cartridge |
| 52D0Z00 | 520Z Black Return Program Imaging Unit |
| 62D0XA0 | 620XA Extra High Yield Toner Cartridge |
| 52D0ZA0 | 520ZA Black Imaging Unit |

| Part # | Paper Handling |
|---------|-------------------------|
| 40G0804 | 2100-Sheet Tray |
| 40G0802 | 550-Sheet Tray |
| 40G0800 | 250-Sheet Tray |
| 40G0822 | 550-Sheet Lockable Tray |
| 40G0820 | 250-Sheet Lockable Tray |
| 40G0854 | 4.3 in. (11 cm) Spacer |

| Part # | Furniture |
|---------|----------------|
| 3073173 | Swivel Cabinet |
| 40G0855 | Caster Base |

| Part # | Memory Options |
|---------|-------------------------------|
| 57X9016 | 1024MBx32 DDR3-DRAM |
| 57X9012 | 2048MBx32 DDR3-DRAM |
| 57X9101 | 256MB Flash Memory Card |
| 27X0200 | 160+ GB Hard Disk |
| 57X9115 | Japanese Font Card |
| 57X9114 | Korean Font Card |
| 57X9112 | Simplified Chinese Font Card |
| 57X9110 | Traditional Chinese Font Card |

| Part # | Application Solutions |
|---------|------------------------------|
| 24T7352 | Card for iPDS |
| 24T7351 | Forms and Bar Code Card |
| 24T7353 | Card for PRESCRIBE Emulation |

| Part # | Connectivity |
|---------|---|
| 1021294 | USB Cable (2-meter) |
| 27X0225 | MarkNet N8350 802.11b/g/n Wireless Print Server |
| 14F0000 | Parallel 1284-B Interface Card |
| 1021231 | Parallel Cable (10-foot) |
| 14F0100 | RS-232C Serial Interface Card |

| Part # | Extended Warranties |
|---------|--|
| 2355136 | MX711 2-Years Total (1+1) Onsite Service |
| 2355137 | MX711 3-Years Total (1+2) Onsite Service |
| 2355138 | MX711 4-Years Total (1+3) Onsite Service |
| 2355139 | MX711 5-Years Total (1+4) Onsite Service |

2355140 MX711 1-Year Onsite Service Renewal

| Part # | User Replaceable Parts |
|---------|--|
| 40X7706 | Roller Maintenance Kit |
| 40X8431 | ADF Maintenance Kit |
| 40X8420 | Return Program Fuser Maintenance kit, 110-120V Type 00, Letter |
| 40X7743 | Return Program Fuser, 110-120V Type 00, Letter |
| 40X8425 | Fuser Maintenance kit, 110-120V, Type 05, Letter |
| 40X8016 | Fuser, 110-120V Type 05, Letter |



Lexmark MX711dhe

There's no such thing as too much of a good thing. The Lexmark MX711dhe delivers faster print, copy and scan speeds—plus productivity solutions, more capacity and 2-sided printing.

Print Technology

Monochrome Laser

Function

Printing, Network Scanning, Faxing, Copying, Color Scanning

Display

Lexmark e-Task 10.2-inch (25.9 cm) color touch screen

Print Speed (Letter, Black)

Up to 70 ppm

Print Speed (Letter, Black) Duplex

Up to 42 ppm

Time to First Page (Black)

As fast as 4.0 seconds

Copy Speed (Letter, Black)

Up to 70 cpm

Time to First Copy (Black)

As fast as 4.0 seconds

Print Resolution, Black

600 x 600 dpi, 1200 Image Quality, 2400 Image Quality, 1200 x 1200 dpi

ADF Scan

DADF (Single Pass Duplex)

Optical Scanning Resolution

600 X 600 ppi (black), 300 X 300 ppi (color)

Processor

Dual Core, 800 MHz

Memory, Standard

1024 MB

Memory, Maximum

3072 MB

Hard Disk

Included in configuration

Expandable Memory Options

Yes

Apple Macintosh Operating Systems Supported

Mac OS X (10.5, 10.6, 10.7, 10.8)

Linux Operating Systems Supported

Fedora 14, 15, 16, 17, Red Hat Enterprise Linux WS 4.0, 5.0, 6.0, Linpus Linux Desktop 9.6, SUSE Linux Enterprise Server 10, 11, SUSE Linux Enterprise Desktop 10, 11, Red Flag Linux Desktop 6.0, Debian GNU/Linux 5.0, 6.0, Ubuntu 11.04, 11.10, 12.04, Mint 9, 10, 11, 12, PCLinuxOS 2011.9, openSUSE 11.3, 11.4, 12.1

Microsoft Windows Operating Systems Supported

Server 2012, 8 x64, Server 2008 R2, Server 2008 R2 running Terminal Services, 8, Windows 7 x64, Server 2008 x64 running Terminal Services, Server 2008 x64, XP, Server 2003, XP x64, Server 2003 running Terminal Services, Server 2003 x64, Server 2003 x64 running Terminal Services, Vista, Vista x64, Server 2008, Server 2008 running Terminal Services, Windows 7

Novell Operating Systems Supported

Open Enterprise Server on SUSE Linux Enterprise Server, NetWare 5.1 (SP 6+), 6.0 (SP 3+) with Novell Distributed Print Services (NDPS), NetWare 6.5 Open Enterprise Server

UNIX Operating Systems Supported

IBM AIX 5.3, 6.1, 7.1, HP-UX 11.11, 11.23, 11.31, Sun Solaris SPARC 9, 10, Sun Solaris x86 10, 11

Included Paper Handling

Integrated Duplex, 550-Sheet Output Bin, 100-Sheet Multipurpose Feeder, 550-Sheet Input

Optional Paper Handling

550-Sheet Lockable Tray, 2100-Sheet Tray, 250-Sheet Tray, 550-Sheet Tray, 250-Sheet Lockable Tray

Paper Input Capacity, Standard: Up to

650 pages 20 lb or 75 gsm bond

Paper Input Capacity, Maximum: Up to

3300 pages 20 lb or 75 gsm bond

Paper Output Capacity, Standard: Up to

550 pages 20 lb or 75 gsm bond

Paper Output Capacity, Maximum: Up to

550 pages 20 lb or 75 gsm bond

ADF Paper Input Capacity

Up to 150 pages 20 lb or 75 gsm bond

Finishing Option

No

Number of Paper Inputs, Standard

2

Number of Paper Inputs, Maximum

5

Media Types Supported

Refer to the Card Stock & Label Guide, Paper Labels, Integrated Labels, Dual Web Labels, Card Stock, Envelopes, Transparencies, Plain Paper

Media Sizes Supported

A6, Oficio, Universal, Statement, Folio, DL Envelope, B5 Envelope, A4, 7 3/4 Envelope, 10 Envelope, 9 Envelope, A5, C5 Envelope, Executive, JIS-B5, Legal, Letter

Standard Ports

Rear USB 2.0 Specification Hi-Speed Certified Port (Type A), USB 2.0 Specification Hi-Speed Certified (Type B), One Internal Card Slot, Gigabit Ethernet (10/100/1000), Front USB 2.0 Specification Hi-Speed Certified Port (Type A)

Optional Network Ports

Internal MarkNet N8350 802.11b/g/n Wireless

Optional Local Ports

Internal 1284-B Bidirectional Parallel, Internal RS-232C serial

Network Printing Methods

IPP 1.0, 1.1, 2.0 (Internet Printing Protocol), FTP, TFTP, ThinPrint .print integration, Telnet, Enhanced IP (Port 9400), LPR/LPD, Direct IP (Port 9100)

Network Protocol Support

UDP, TCP, AppleTalk™, TCP/IP IPv4, TCP/IP IPv6

Network Security

IPSec, SNMPv3, 802.1x Authentication: MD5, MSCHAPv2, LEAP, PEAP, TLS, TTLS

Printer Languages (Standard)

PDF 1.7 emulation, PostScript 3 Emulation, PCL 5e Emulation, PCL 6 Emulation, Personal Printer Data Stream (PPDS), Direct Image, Microsoft XPS (XML Paper Specification)

Reduce / Enlarge Range

25 - 400 %

Scan Area, Maximum

215.9 x 355.6 mm

Scan Area, Maximum

8.5 x 14.0 inches

Modem Speed

ITU T.30, V.34 Half-Duplex, 33.6 Kbps

Laser Cartridge Yields

45,000*-page Extra High Yield Cartridge, 25,000*-page High Yield Cartridge, 6,000*-page Cartridge

Cartridge(s) Shipping with Product

25,000*-page High Yield Return Program Toner Cartridge

Replacement Cartridges:

Product functions only with replacement cartridges designed for use in a specific geographical region. See www.lexmark.com/regions for more details.

Packaged Size (mm - H x W x D)

101.7 x 735 x 700 mm

Size (mm - H x W x D)

727 x 548 x 578 mm

Packaged Size (in. - H x W x D)

40.04 x 28.94 x 27.56 in.

Size (in. - H x W x D)

28.6 x 21.6 x 22.8 in.

Weight (kg)

43.3 kg

Weight (lb.)

95.4 lb.

Noise Level, Idle

33 dBA

Print Noise Level, Operating

58 dBA

Copy Noise Level, Operating

58 dBA

Scan Noise Level, Operating

57 dBA

Product Warranty

1-Year Onsite Service, Next Business Day

Product Certifications

Energy Star V1.2, Blue Angel (RAL-UZ-122), CAN/CSA-C22.2 60950-1, CSA E60825-1, ICES-003 Class A, BSMI Class A, CIS 13438, VCCI Class A, US FDA, FCC Class A, UL 60950-1, IEC 320-1, EN/IEC 60320-1, CE Class A, CB IEC 60950-1, EN 62311, EN 60950-1, EN/IEC 61000-3, EN 55022 Class A, EN 55024, EN/IEC 60825-1, GS (TÜV), SEMKO, UL AR, GS, TÜV Rh, SMA C-tick mark Class A, CCC Class A, CISPIR 22 Class A, EK Mark, N Mark, ECMA-370, TED

Maximum Monthly Duty Cycle

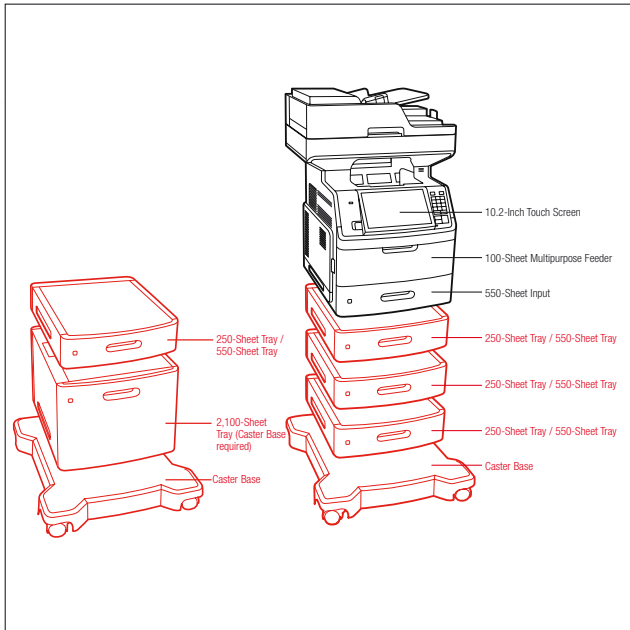
Up to 300000 pages per month

Recommended Monthly Page Volume

5000 - 30000 pages

Specified Operating Environment

Altitude: 0 - 2896 Meters (9,500 Feet), Humidity: 8 to 80% Relative Humidity, Temperature: 16 to 32°C (60 to 90°F)



Standard
 Optional

| Part # | Model |
|---------|-------------------|
| 24T7320 | Lexmark MX711 dhe |

| Part # | Laser Toner/Print Cartridge |
|---------|--|
| 62D1X00 | 621X Extra High Yield Return Program Toner Cartridge |
| 62D1H00 | 621H High Yield Return Program Toner Cartridge |
| 62D1000 | 621 Return Program Toner Cartridge |
| 52D0Z00 | 520Z Black Return Program Imaging Unit |
| 62D0XA0 | 620XA Extra High Yield Toner Cartridge |
| 52D0ZA0 | 520ZA Black Imaging Unit |

| Part # | Paper Handling |
|---------|-------------------------|
| 40G0804 | 2100-Sheet Tray |
| 40G0802 | 550-Sheet Tray |
| 40G0800 | 250-Sheet Tray |
| 40G0822 | 550-Sheet Lockable Tray |
| 40G0820 | 250-Sheet Lockable Tray |
| 40G0854 | 4.3 in. (11 cm) Spacer |

| Part # | Furniture |
|---------|----------------|
| 3073173 | Swivel Cabinet |
| 40G0855 | Caster Base |

| Part # | Memory Options |
|---------|-------------------------------|
| 57X9016 | 1024MBx32 DDR3-DRAM |
| 57X9012 | 2048MBx32 DDR3-DRAM |
| 57X9101 | 256MB Flash Memory Card |
| 57X9115 | Japanese Font Card |
| 57X9114 | Korean Font Card |
| 57X9112 | Simplified Chinese Font Card |
| 57X9110 | Traditional Chinese Font Card |

| Part # | Application Solutions |
|---------|------------------------------|
| 24T7352 | Card for IPDS |
| 24T7351 | Forms and Bar Code Card |
| 24T7353 | Card for PRESCRIBE Emulation |

| Part # | Connectivity |
|---------|---|
| 1021294 | USB Cable (2-meter) |
| 27X0225 | MarkNet N8350 802.11b/g/n Wireless Print Server |
| 14F0000 | Parallel 1284-B Interface Card |
| 1021231 | Parallel Cable (10-foot) |
| 14F0100 | RS-232C Serial Interface Card |

| Part # | Extended Warranties |
|---------|--|
| 2355136 | MX711 2-Years Total (1+1) Onsite Service |
| 2355137 | MX711 3-Years Total (1+2) Onsite Service |
| 2355138 | MX711 4-Years Total (1+3) Onsite Service |
| 2355139 | MX711 5-Years Total (1+4) Onsite Service |
| 2355140 | MX711 1-Year Onsite Service Renewal |

| Part # | User Replaceable Parts |
|---------|--|
| 40X7706 | Roller Maintenance Kit |
| 40X8431 | ADF Maintenance Kit |
| 40X8420 | Return Program Fuser Maintenance kit, 110-120V Type 00, Letter |
| 40X7743 | Return Program Fuser, 110-120V Type 00, Letter |
| 40X8425 | Fuser Maintenance kit, 110-120V, Type 05, Letter |
| 40X8016 | Fuser, 110-120V Type 05, Letter |



Lexmark MX711dthe

There's no such thing as too much of a good thing. The Lexmark MX711dthe delivers faster print, copy and scan speeds—plus solutions, 2-sided printing and more data and paper capacity.

Print Technology

Monochrome Laser

Function

Printing, Network Scanning, Faxing, Copying, Color Scanning

Display

Lexmark e-Task 10.2-inch (25.9 cm) color touch screen

Print Speed (Letter, Black)

Up to 70 ppm

Print Speed (Letter, Black) Duplex

Up to 42 ppm

Time to First Page (Black)

As fast as 4.0 seconds

Copy Speed (Letter, Black)

Up to 70 cpm

Time to First Copy (Black)

As fast as 4.0 seconds

Print Resolution, Black

600 x 600 dpi, 1200 Image Quality, 2400 Image Quality, 1200 x 1200 dpi

ADF Scan

DADF (Single Pass Duplex)

Optical Scanning Resolution

600 X 600 ppi (black), 300 X 300 ppi (color)

Processor

Dual Core, 800 MHz

Memory, Standard

1024 MB

Memory, Maximum

3072 MB

Hard Disk

Included in configuration

Expandable Memory Options

Yes

Apple Macintosh Operating Systems Supported

Mac OS X (10.5, 10.6, 10.7, 10.8)

Linux Operating Systems Supported

Fedora 14, 15, 16, 17, Red Hat Enterprise Linux WS 4.0, 5.0, 6.0, Linux Linux Desktop 9.6, SUSE Linux Enterprise Server 10, 11, SUSE Linux Enterprise Desktop 10, 11, Red Flag Linux Desktop 6.0, Debian GNU/Linux 5.0, 6.0, Ubuntu 11.04, 11.10, 12.04, Mint 9, 10, 11, 12, PCLinuxOS 2011.9, openSUSE 11.3, 11.4, 12.1

Microsoft Windows Operating Systems Supported

Server 2012, 8 x64, Server 2008 R2, Server 2008 R2 running Terminal Services, 8, Windows 7 x64, Server 2008 x64 running Terminal Services, Server 2008 x64, XP, Server 2003, XP x64, Server 2003 running Terminal Services, Server 2003 x64, Server 2003 x64 running Terminal Services, Vista, Vista x64, Server 2008, Server 2008 running Terminal Services, Windows 7

Novell Operating Systems Supported

Open Enterprise Server on SUSE Linux Enterprise Server, NetWare 5.1(SP 6+), 6.0(SP 3+) with Novell Distributed Print Services (NDPS), NetWare 6.5 Open Enterprise Server

UNIX Operating Systems Supported

IBM AIX 5.3, 6.1, 7.1, HP-UX 11.11, 11.23, 11.31, Sun Solaris SPARC 9, 10, Sun Solaris x86 10, 11

Included Paper Handling

550-Sheet Tray, Integrated Duplex, 100-Sheet Multipurpose Feeder, 550-Sheet Input, 550-Sheet Output Bin

Optional Paper Handling

550-Sheet Lockable Tray, 250-Sheet Lockable Tray, 250-Sheet Tray, 550-Sheet Tray, 2100-Sheet Tray

Paper Input Capacity, Standard: Up to

1200 pages 20 lb or 75 gsm bond

Paper Input Capacity, Maximum: Up to

3300 pages 20 lb or 75 gsm bond

Paper Output Capacity, Standard: Up to

550 pages 20 lb or 75 gsm bond

Paper Output Capacity, Maximum: Up to

550 pages 20 lb or 75 gsm bond

ADF Paper Input Capacity

Up to 150 pages 20 lb or 75 gsm bond

Finishing Option

No

Number of Paper Inputs, Standard

3

Number of Paper Inputs, Maximum

5

Media Types Supported

Refer to the Card Stock & Label Guide, Paper Labels, Integrated Labels, Dual Web Labels, Card Stock, Envelopes, Transparencies, Plain Paper

Media Sizes Supported

A6, Oficio, Universal, Statement, Folio, DL Envelope, B5 Envelope, A4, 7 3/4 Envelope, 10 Envelope, 9 Envelope, A5, C5 Envelope, Executive, JIS-B5, Legal, Letter

Standard Ports

Rear USB 2.0 Specification Hi-Speed Certified Port (Type A), USB 2.0 Specification Hi-Speed Certified (Type B), One Internal Card Slot, Gigabit Ethernet (10/100/1000), Front USB 2.0 Specification Hi-Speed Certified Port (Type A)

Optional Network Ports

Internal MarkNet N8350 802.11b/g/n Wireless

Optional Local Ports

Internal 1284-B Bidirectional Parallel, Internal RS-232C serial

Network Printing Methods

IPP 1.0, 1.1, 2.0 (Internet Printing Protocol), FTP, TFTP, ThinPrint .print integration, Telnet, Enhanced IP (Port 9400), LPR/LPD, Direct IP (Port 9100)

Network Protocol Support

UDP, TCP, AppleTalk™, TCP/IP IPv4, TCP/IP IPv6

Network Security

IPSec, SNMPv3, 802.1x Authentication: MD5, MSCHAPv2, LEAP, PEAP, TLS, TTLS

Printer Languages (Standard)

PDF 1.7 emulation, PostScript 3 Emulation, PCL 5e Emulation, PCL 6 Emulation, Personal Printer Data Stream (PPDS), Direct Image, Microsoft XPS (XML Paper Specification)

Reduce / Enlarge Range

25 - 400 %

Scan Area, Maximum

215.9 x 355.6 mm

Scan Area, Maximum

8.5 x 14.0 inches

Modem Speed

ITU T.30, V.34 Half-Duplex, 33.6 Kbps

Laser Cartridge Yields

45,000*-page Extra High Yield Cartridge, 25,000*-page High Yield Cartridge, 6,000*-page Cartridge

Cartridge(s) Shipping with Product

25,000*-page High Yield Return Program Toner Cartridge

Replacement Cartridges:

Product functions only with replacement cartridges designed for use in a specific geographical region. See www.lexmark.com/regions for more details.

Packaged Size (mm - H x W x D)

1215 x 735 x 700 mm

Size (mm - H x W x D)

837 x 548 x 578 mm

Packaged Size (in. - H x W x D)

47.8 x 28.94 x 27.56 in.

Size (in. - H x W x D)

32.9 x 21.6 x 22.8 in.

Weight (kg)

49.2 kg

Weight (lb.)

108.5 lb.

Noise Level, Idle

33 dBA

Print Noise Level, Operating

58 dBA

Copy Noise Level, Operating

58 dBA

Scan Noise Level, Operating

57 dBA

Product Warranty

1-Year Onsite Service, Next Business Day

Product Certifications

Energy Star V1.2, Blue Angel (RAL-UZ-122), CAN/CSA-C22.2 60950-1, CSA E60825-1, ICES-003 Class A, BSMI Class A, CIS 13438, VCCI Class A, US FDA, FCC Class A, UL 60950-1, IEC 320-1, EN/IEC 60320-1, CE Class A, CB IEC 60950-1, EN 62311, EN 60950-1, EN/IEC 61000-3, EN 55022 Class A, EN 55024, EN/IEC 60825-1, GS (TÜV), SEMKO, UL AR, GS, TÜV Rh, SMA C-tick mark Class A, CCC Class A, CISPIR 22 Class A, EK Mark, N Mark, ECMA-370, TED

Maximum Monthly Duty Cycle

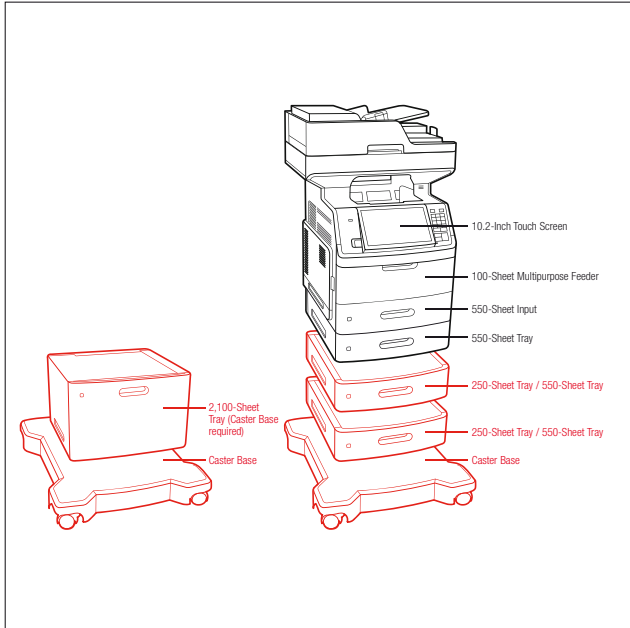
Up to 300000 pages per month

Recommended Monthly Page Volume

5000 - 30000 pages

Specified Operating Environment

Altitude: 0 - 2896 Meters (9,500 Feet), Humidity: 8 to 80% Relative Humidity, Temperature: 16 to 32°C (60 to 90°F)



Standard
 Optional

| Part # | Model |
|---------|--------------------|
| 24T7406 | Lexmark MX711 dtfe |

| Part # | Laser Toner/Print Cartridge |
|---------|--|
| 62D1X00 | 621X Extra High Yield Return Program Toner Cartridge |
| 62D1H00 | 621H High Yield Return Program Toner Cartridge |
| 62D1000 | 621 Return Program Toner Cartridge |
| 52D0Z00 | 520Z Black Return Program Imaging Unit |
| 62D0XA0 | 620XA Extra High Yield Toner Cartridge |
| 52D0ZA0 | 520ZA Black Imaging Unit |

| Part # | Paper Handling |
|---------|-------------------------|
| 40G0804 | 2100-Sheet Tray |
| 40G0802 | 550-Sheet Tray |
| 40G0800 | 250-Sheet Tray |
| 40G0822 | 550-Sheet Lockable Tray |
| 40G0820 | 250-Sheet Lockable Tray |
| 40G0854 | 4.3 in. (11 cm) Spacer |

| Part # | Furniture |
|---------|----------------|
| 3073173 | Swivel Cabinet |
| 40G0855 | Caster Base |

| Part # | Memory Options |
|---------|-------------------------------|
| 57X9016 | 1024MBx32 DDR3-DRAM |
| 57X9012 | 2048MBx32 DDR3-DRAM |
| 57X9101 | 256MB Flash Memory Card |
| 57X9115 | Japanese Font Card |
| 57X9114 | Korean Font Card |
| 57X9112 | Simplified Chinese Font Card |
| 57X9110 | Traditional Chinese Font Card |

| Part # | Application Solutions |
|---------|------------------------------|
| 24T7352 | Card for iPDS |
| 24T7351 | Forms and Bar Code Card |
| 24T7353 | Card for PRESCRIBE Emulation |

| Part # | Connectivity |
|---------|---|
| 1021294 | USB Cable (2-meter) |
| 27X0225 | MarkNet N8350 802.11b/g/n Wireless Print Server |
| 14F0000 | Parallel 1284-B Interface Card |
| 1021231 | Parallel Cable (10-foot) |
| 14F0100 | RS-232C Serial Interface Card |

| Part # | Extended Warranties |
|---------|--|
| 2355136 | MX711 2-Years Total (1+1) Onsite Service |
| 2355137 | MX711 3-Years Total (1+2) Onsite Service |
| 2355138 | MX711 4-Years Total (1+3) Onsite Service |
| 2355139 | MX711 5-Years Total (1+4) Onsite Service |
| 2355140 | MX711 1-Year Onsite Service Renewal |

| Part # | User Replaceable Parts |
|---------|--|
| 40X7706 | Roller Maintenance Kit |
| 40X8431 | ADF Maintenance Kit |
| 40X8420 | Return Program Fuser Maintenance kit, 110-120V Type 00, Letter |
| 40X7743 | Return Program Fuser, 110-120V Type 00, Letter |
| 40X8425 | Fuser Maintenance kit, 110-120V, Type 05, Letter |
| 40X8016 | Fuser, 110-120V Type 05, Letter |



Lexmark MX810de

Meet our high performance star. The Lexmark MX810de saves time with blazing-fast processor, print, copy and scan speeds—and gives you the edge with solutions and 2-sided printing.

Print Technology

Monochrome Laser

Function

Printing, Network Scanning, Faxing, Copying, Color Scanning

Display

Lexmark e-Task 10.2-inch (25.9 cm) color touch screen

Print Speed (Letter, Black)

Up to 55 ppm

Print Speed (Letter, Black) Duplex

Up to 33 ppm

Time to First Page (Black)

As fast as 4.8 seconds

Copy Speed (Letter, Black)

Up to 55 cpm

Time to First Copy (Black)

As fast as 4.5 seconds

Print Resolution, Black

600 x 600 dpi, 1200 Image Quality, 2400 Image Quality, 1200 x 1200 dpi

ADF Scan

DADF (Single Pass Duplex)

Optical Scanning Resolution

600 X 600 ppi (black), 300 X 300 ppi (color)

Processor

Dual Core, 800 MHz

Memory, Standard

1024 MB

Memory, Maximum

3072 MB

Hard Disk

Included in configuration

Expandable Memory Options

Yes

Apple Macintosh Operating Systems Supported

Mac OS X (10.5, 10.6, 10.7, 10.8)

Linux Operating Systems Supported

Fedora 14, 15, 16, 17, Red Hat Enterprise Linux WS 4.0, 5.0, 6.0, Linpus Linux Desktop 9.6, SUSE Linux Enterprise Server 10, 11, SUSE Linux Enterprise Desktop 10, 11, Red Flag Linux Desktop 6.0, Debian GNU/Linux 5.0, 6.0, Ubuntu 11.04, 11.10, 12.04, Mint 9, 10, 11, 12, PCLinuxOS 2011.9, openSUSE 11.3, 11.4, 12.1

Microsoft Windows Operating Systems Supported

Server 2012, 8 x64, Server 2008 R2, Server 2008 R2 running Terminal Services, 8, Windows 7 x64, Server 2008 x64 running Terminal Services, Server 2008 x64, XP, Server 2003, XP x64, Server 2003 running Terminal Services, Server 2003 x64, Server 2003 x64 running Terminal Services, Vista, Vista x64, Server 2008, Server 2008 running Terminal Services, Windows 7

Novell Operating Systems Supported

Open Enterprise Server on SUSE Linux Enterprise Server, NetWare 5.1 (SP 6+), 6.0 (SP 3+) with Novell Distributed Print Services (NDPS), NetWare 6.5 Open Enterprise Server

UNIX Operating Systems Supported

IBM AIX 5.3, 6.1, 7.1, HP-UX 11.11, 11.23, 11.31, Sun Solaris SPARC 9, 10, Sun Solaris x86 10, 11

Included Paper Handling

550-Sheet Tray, 550-Sheet Input, 100-Sheet Multipurpose Feeder, 550-Sheet Output Bin, Offset Stacker, Integrated Duplex

Optional Paper Handling

550-Sheet Tray

Paper Input Capacity, Standard: Up to

1200 pages 20 lb or 75 gsm bond

Paper Input Capacity, Maximum: Up to

2300 pages 20 lb or 75 gsm bond

Paper Output Capacity, Standard: Up to

1050 pages 20 lb or 75 gsm bond

Paper Output Capacity, Maximum: Up to

1050 pages 20 lb or 75 gsm bond

ADF Paper Input Capacity

Up to 150 pages 20 lb or 75 gsm bond

Finishing Option

Standard

Number of Paper Inputs, Standard

3

Number of Paper Inputs, Maximum

5

Media Types Supported

Refer to the Card Stock & Label Guide, Paper Labels, Integrated Labels, Dual Web Labels, Card Stock, Envelopes, Transparencies, Plain Paper

Media Sizes Supported

A6, Oficio, Universal, Statement, Folio, DL Envelope, B5 Envelope, A4, 7 3/4 Envelope, 10 Envelope, 9 Envelope, A5, C5 Envelope, Executive, JIS-B5, Legal, Letter

Standard Ports

Rear USB 2.0 Specification Hi-Speed Certified Port (Type A), USB 2.0 Specification Hi-Speed Certified (Type B), One Internal Card Slot, Gigabit Ethernet (10/100/1000), Front USB 2.0 Specification Hi-Speed Certified Port (Type A)

Optional Network Ports

Internal MarkNet N8350 802.11b/g/n Wireless

Optional Local Ports

Internal 1284-B Bidirectional Parallel, Internal RS-232C serial

Network Printing Methods

IPP 1.0, 1.1, 2.0 (Internet Printing Protocol), FTP, TFTP, ThinPrint, print integration, Telnet, Enhanced IP (Port 9400), LPR/LPD, Direct IP (Port 9100)

Network Protocol Support

UDP, TCP, AppleTalk™, TCP/IP IPv4, TCP/IP IPv6

Network Security

IPSec, SNMPv3, 802.1x Authentication: MD5, MSCHAPv2, LEAP, PEAP, TLS, TTLS

Printer Languages (Standard)

PDF 1.7 emulation, PostScript 3 Emulation, PCL 5e Emulation, PCL 6 Emulation, Personal Printer Data Stream (PPDS), Direct Image, Microsoft XPS (XML Paper Specification)

Reduce / Enlarge Range

25 - 400 %

Scan Area, Maximum

215.9 x 355.6 mm

Scan Area, Maximum

8.5 x 14.0 inches

Modem Speed

ITU T.30, V.34 Half-Duplex, 33.6 Kbps

Laser Cartridge Yields

45,000*-page Extra High Yield Cartridge, 25,000*-page High Yield Cartridge, 6,000*-page Cartridge

Cartridge(s) Shipping with Product

25,000*-page High Yield Return Program Toner Cartridge

Replacement Cartridges:

Product functions only with replacement cartridges designed for use in a specific geographical region. See www.lexmark.com/regions for more details.

Packaged Size (mm - H x W x D)

1327 x 870 x 762 mm

Size (mm - H x W x D)

1133 x 663 x 734 mm

Packaged Size (in. - H x W x D)

52.24 x 34.25 x 30.0 in.

Size (in. - H x W x D)

44.6 x 26.1 x 28.9 in.

Weight (kg)

85.1 kg

Weight (lb.)

187.7 lb.

Noise Level, Idle

30 dBA

Print Noise Level, Operating

55 dBA

Copy Noise Level, Operating

55 dBA

Scan Noise Level, Operating

57 dBA

Product Warranty

1-Year Onsite Service, Next Business Day

Product Certifications

Energy Star V1.2, Blue Angel (RAL-UZ-122), CAN/CSA-C22.2 60950-1, CSA E60825-1, IEC60335 Class A, BSMI Class A, CIS 13438, VCCI Class A, US FDA, FCC Class A, UL 60950-1, IEC 320-1, EN/IEC 60320-1, CE Class A, CB IEC 60950-1, EN 62311, EN 60950-1, EN/IEC 61000-3, EN 55022 Class A, EN 55024, EN/IEC 60825-1, GS (TÜV), SEMKO, UL AR, CS, TÜV Rh, SMA C-tick mark Class A, CCC Class A, CISPIR 22 Class A, EK Mark, N Mark, ECMA-370, TED

Maximum Monthly Duty Cycle

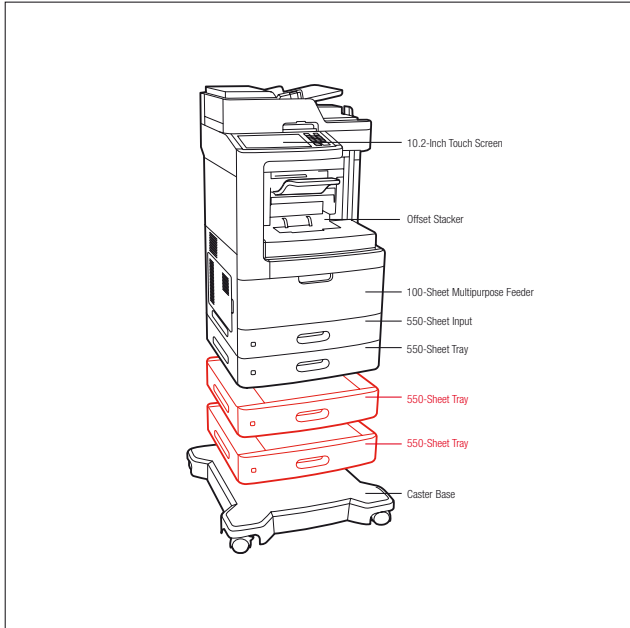
Up to 300000 pages per month

Recommended Monthly Page Volume

5000 - 35000 pages

Specified Operating Environment

Altitude: 0 - 2896 Meters (9,500 Feet), Humidity: 8 to 80% Relative Humidity, Temperature: 16 to 32°C (60 to 90°F)



Standard
 Optional

| Part # | Model |
|---------|--|
| 24T7407 | Lexmark MX810de |
| Part # | Laser Toner/Print Cartridge |
| 62D1X00 | 621X Extra High Yield Return Program Toner Cartridge |
| 62D1H00 | 621H High Yield Return Program Toner Cartridge |
| 62D1000 | 621 Return Program Toner Cartridge |
| 52D0Z00 | 520Z Black Return Program Imaging Unit |
| 62DOXA0 | 620XA Extra High Yield Toner Cartridge |
| 52DOZA0 | 520ZA Black Imaging Unit |
| Part # | Paper Handling |
| 24T7300 | 550-Sheet Tray |
| Part # | Memory Options |
| 57X9016 | 1024MBx32 DDR3-DRAM |
| 57X9012 | 2048MBx32 DDR3-DRAM |
| 57X9101 | 256MB Flash Memory Card |
| 57X9115 | Japanese Font Card |
| 57X9114 | Korean Font Card |
| 57X9112 | Simplified Chinese Font Card |
| 57X9110 | Traditional Chinese Font Card |
| Part # | Application Solutions |
| 24T7352 | Card for IPDS |
| 24T7351 | Forms and Bar Code Card |
| 24T7353 | Card for PRESCRIBE Emulation |
| Part # | Connectivity |
| 1021294 | USB Cable (2-meter) |
| 27X0225 | MarkNet N8350 802.11b/g/n Wireless Print Server |
| 14F0000 | Parallel 1284-B Interface Card |
| 1021231 | Parallel Cable (10-foot) |
| 14F0100 | RS-232C Serial Interface Card |
| Part # | Extended Warranties |
| 2355164 | MX810 2-Years Total (1+1) Onsite Service |
| 2355165 | MX810 3-Years Total (1+2) Onsite Service |
| 2355166 | MX810 4-Years Total (1+3) Onsite Service |
| 2355167 | MX810 5-Years Total (1+4) Onsite Service |
| 2355168 | MX810 1-Year Onsite Service Renewal |
| Part # | User Replaceable Parts |
| 40X8420 | Return Program Fuser Maintenance kit, 110-120V Type 00, Letter |
| 40X7706 | Roller Maintenance Kit |
| 40X8431 | ADF Maintenance Kit |
| 40X7743 | Return Program Fuser, 110-120V Type 00, Letter |
| 40X8425 | Fuser Maintenance kit, 110-120V, Type 05, Letter |
| 40X8016 | Fuser, 110-120V Type 05, Letter |



Lexmark MX810dte

Meet our high performance star. The Lexmark MX810dte saves time with blazing-fast processor, print, copy and scan speeds—and gives you the edge with solutions, an extra paper tray and 2-sided printing.

Print Technology

Monochrome Laser

Function

Printing, Network Scanning, Faxing, Copying, Color Scanning

Display

Lexmark e-Task 10.2-inch (25.9 cm) color touch screen

Print Speed (Letter, Black)

Up to 55 ppm

Print Speed (Letter, Black) Duplex

Up to 33 ppm

Time to First Page (Black)

As fast as 4.8 seconds

Copy Speed (Letter, Black)

Up to 55 cpm

Time to First Copy (Black)

As fast as 4.5 seconds

Print Resolution, Black

600 x 600 dpi, 1200 Image Quality, 2400 Image Quality, 1200 x 1200 dpi

ADF Scan

DADF (Single Pass Duplex)

Optical Scanning Resolution

600 X 600 ppi (black), 300 X 300 ppi (color)

Processor

Dual Core, 800 MHz

Memory, Standard

1024 MB

Memory, Maximum

3072 MB

Hard Disk

Included in configuration

Expandable Memory Options

Yes

Apple Macintosh Operating Systems Supported

Mac OS X (10.5, 10.6, 10.7, 10.8)

Linux Operating Systems Supported

Fedora 14, 15, 16, 17, Red Hat Enterprise Linux WS 4.0, 5.0, 6.0, Linux Desktop 9.6, SUSE Linux Enterprise Server 10, 11, SUSE Linux Enterprise Desktop 10, 11, Red Hat Linux Desktop 6.0, Debian GNU/Linux 5.0, 6.0, Ubuntu 11.04, 11.10, 12.04, Mint 9, 10, 11, 12, PCLinuxOS 2011.9, openSUSE 11.3, 11.4, 12.1

Microsoft Windows Operating Systems Supported

Server 2012, 8 x64, Server 2008 R2, Server 2008 R2 running Terminal Services, 8, Windows 7 x64, Server 2008 x64 running Terminal Services, Server 2008 x64, XP, Server 2003, XP x64, Server 2003 running Terminal Services, Server 2003 x64, Server 2003 x64 running Terminal Services, Vista, Vista x64, Server 2008, Server 2008 running Terminal Services, Windows 7

Novell Operating Systems Supported

Open Enterprise Server on SUSE Linux Enterprise Server, NetWare 5.1 (SP 6+), 6.0 (SP 3+) with Novell Distributed Print Services (NDPS), NetWare 6.5 Open Enterprise Server

UNIX Operating Systems Supported

IBM AIX 5.3, 6.1, 7.1, HP-UX 11.11, 11.23, 11.31, Sun Solaris SPARC 9, 10, Sun Solaris x86 10, 11

Included Paper Handling

2 x 550-Sheet Tray, Integrated Duplex, 100-Sheet Multipurpose Feeder, 550-Sheet Input, 550-Sheet Output Bin, Offset Stacker

Optional Paper Handling

550-Sheet Tray

Paper Input Capacity, Standard: Up to

1750 pages 20 lb or 75 gsm bond

Paper Input Capacity, Maximum: Up to

2300 pages 20 lb or 75 gsm bond

Paper Output Capacity, Standard: Up to

1050 pages 20 lb or 75 gsm bond

Paper Output Capacity, Maximum: Up to

1050 pages 20 lb or 75 gsm bond

ADF Paper Input Capacity

Up to 150 pages 20 lb or 75 gsm bond

Finishing Option

Standard

Number of Paper Inputs, Standard

4

Number of Paper Inputs, Maximum

5

Media Types Supported

Refer to the Card Stock & Label Guide, Paper Labels, Integrated Labels, Dual Web Labels, Card Stock, Envelopes, Transparencies, Plain Paper

Media Sizes Supported

A6, Oficio, Universal, Statement, Folio, DL Envelope, B5 Envelope, A4, 7 3/4 Envelope, 10 Envelope, 9 Envelope, A5, C5 Envelope, Executive, JIS-B5, Legal, Letter

Standard Ports

Rear USB 2.0 Specification Hi-Speed Certified Port (Type A), USB 2.0 Specification Hi-Speed Certified (Type B), One Internal Card Slot, Gigabit Ethernet (10/100/1000), Front USB 2.0 Specification Hi-Speed Certified Port (Type A)

Optional Network Ports

Internal MarkNet N8350 802.11b/g/n Wireless

Optional Local Ports

Internal 1284-B Bidirectional Parallel, Internal RS-232C serial

Network Printing Methods

IPP 1.0, 1.1, 2.0 (Internet Printing Protocol), FTP, TFTP, ThinPrint .print integration, Telnet, Enhanced IP (Port 9400), LPR/LPD, Direct IP (Port 9100)

Network Protocol Support

UDP, TCP, AppleTalk™, TCP/IP IPv4, TCP/IP IPv6

Network Security

IPSec, SNMPv3, 802.1x Authentication: MD5, MSCHAPv2, LEAP, PEAP, TLS, TTLS

Printer Languages (Standard)

PDF 1.7 emulation, PostScript 3 Emulation, PCL 5e Emulation, PCL 6 Emulation, Personal Printer Data Stream (PPDS), Direct Image, Microsoft XPS (XML Paper Specification)

Reduce / Enlarge Range

25 - 400 %

Scan Area, Maximum

215.9 x 355.6 mm

Scan Area, Maximum

8.5 x 14.0 inches

Modem Speed

ITU T.30, V.34 Half-Duplex, 33.6 Kbps

Laser Cartridge Yields

45,000*-page Extra High Yield Cartridge, 25,000*-page High Yield Cartridge, 6,000*-page Cartridge

Cartridge(s) Shipping with Product

25,000*-page High Yield Return Program Toner Cartridge

Replacement Cartridges:

Product functions only with replacement cartridges designed for use in a specific geographical region. See www.lexmark.com/regions for more details.

Packaged Size (mm - H x W x D)

1442 x 870 x 762 mm

Size (mm - H x W x D)

1243 x 663 x 734 mm

Packaged Size (in. - H x W x D)

56.77 x 34.25 x 30.0 in.

Size (in. - H x W x D)

48.9 x 26.1 x 28.9 in.

Weight (kg)

92.1 kg

Weight (lb.)

203.1 lb.

Noise Level, Idle

30 dBA

Print Noise Level, Operating

55 dBA

Copy Noise Level, Operating

55 dBA

Scan Noise Level, Operating

57 dBA

Product Warranty

1-Year Onsite Service, Next Business Day

Product Certifications

Energy Star V1.2, Blue Angel (RAL-UZ-122), CAN/CSA-C22.2 60950-1, CSA E60825-1, ICES-003 Class A, BSMI Class A, CIS 13438, VCCI Class A, US FDA, FCC Class A, UL 60950-1, IEC 320-1, EN/IEC 60320-1, CE Class A, CB IEC 60950-1, EN 62311, EN 60950-1, EN/IEC 61000-3, EN 55022 Class A, EN 55024, EN/IEC 60825-1, GS (TÜV), SEMKO, UL AR, GS, TÜV Rh, SMA C-tick mark Class A, CCC Class A, CISPIR 22 Class A, EK Mark, N Mark, ECMA-370, TED

Maximum Monthly Duty Cycle

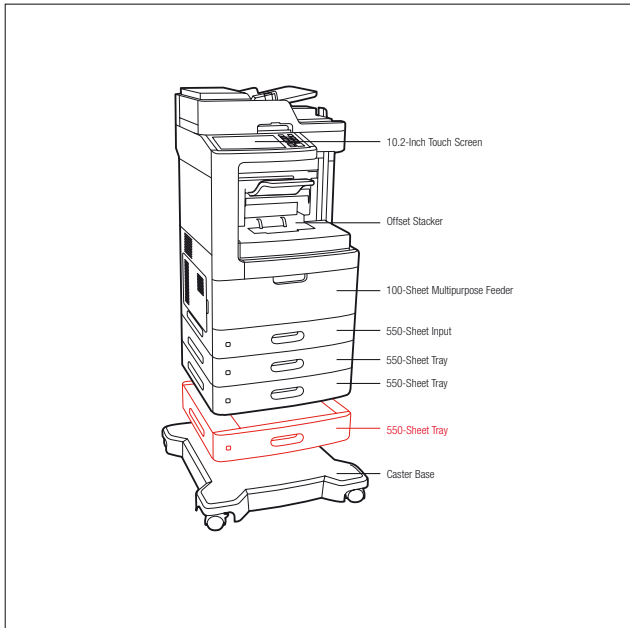
Up to 300000 pages per month

Recommended Monthly Page Volume

5000 - 35000 pages

Specified Operating Environment

Altitude: 0 - 2896 Meters (9,500 Feet), Humidity: 8 to 80% Relative Humidity, Temperature: 16 to 32°C (60 to 90°F)



Standard
 Optional

| Part # | Model |
|---------|--|
| 24T7411 | Lexmark MX810dte |
| Part # | Laser Toner/Print Cartridge |
| 62D1X00 | 621X Extra High Yield Return Program Toner Cartridge |
| 62D1H00 | 621H High Yield Return Program Toner Cartridge |
| 62D1000 | 621 Return Program Toner Cartridge |
| 52D0Z00 | 520Z Black Return Program Imaging Unit |
| 62D0XA0 | 620XA Extra High Yield Toner Cartridge |
| 52D0ZA0 | 520ZA Black Imaging Unit |
| Part # | Paper Handling |
| 24T7300 | 550-Sheet Tray |
| Part # | Memory Options |
| 57X9016 | 1024MBx32 DDR3-DRAM |
| 57X9012 | 2048MBx32 DDR3-DRAM |
| 57X9101 | 256MB Flash Memory Card |
| 57X9115 | Japanese Font Card |
| 57X9114 | Korean Font Card |
| 57X9112 | Simplified Chinese Font Card |
| 57X9110 | Traditional Chinese Font Card |
| Part # | Application Solutions |
| 24T7352 | Card for IPDS |
| 24T7351 | Forms and Bar Code Card |
| 24T7353 | Card for PRESCRIBE Emulation |
| Part # | Connectivity |
| 1021294 | USB Cable (2-meter) |
| 27X0225 | MarkNet N8350 802.11b/g/n Wireless Print Server |
| 14F0000 | Parallel 1284-B Interface Card |
| 1021231 | Parallel Cable (10-foot) |
| 14F0100 | RS-232C Serial Interface Card |
| Part # | Extended Warranties |
| 2355164 | MX810 2-Years Total (1+1) Onsite Service |
| 2355165 | MX810 3-Years Total (1+2) Onsite Service |
| 2355166 | MX810 4-Years Total (1+3) Onsite Service |
| 2355167 | MX810 5-Years Total (1+4) Onsite Service |
| 2355168 | MX810 1-Year Onsite Service Renewal |
| Part # | User Replaceable Parts |
| 40X8420 | Return Program Fuser Maintenance kit, 110-120V Type 00, Letter |
| 40X7706 | Roller Maintenance Kit |
| 40X8431 | ADF Maintenance Kit |
| 40X7743 | Return Program Fuser, 110-120V Type 00, Letter |
| 40X8425 | Fuser Maintenance kit, 110-120V, Type 05, Letter |
| 40X8016 | Fuser, 110-120V Type 05, Letter |



Lexmark MX810dfe

Meet our high performance star. The Lexmark MX810dfe saves time with blazing-fast processor, print, copy and scan speeds—and gives you the edge with solutions, a staple finisher and 2-sided printing.

Print Technology

Monochrome Laser

Function

Printing, Network Scanning, Faxing, Copying, Color Scanning

Display

Lexmark e-Task 10.2-inch (25.9 cm) color touch screen

Print Speed (Letter, Black)

Up to 55 ppm

Print Speed (Letter, Black) Duplex

Up to 33 ppm

Time to First Page (Black)

As fast as 4.8 seconds

Copy Speed (Letter, Black)

Up to 55 cpm

Time to First Copy (Black)

As fast as 4.5 seconds

Print Resolution, Black

600 x 600 dpi, 1200 Image Quality, 2400 Image Quality, 1200 x 1200 dpi

ADF Scan

DADF (Single Pass Duplex)

Optical Scanning Resolution

600 X 600 ppi (black), 300 X 300 ppi (color)

Processor

Dual Core, 800 MHz

Memory, Standard

1024 MB

Memory, Maximum

3072 MB

Hard Disk

Included in configuration

Expandable Memory Options

Yes

Apple Macintosh Operating Systems Supported

Mac OS X (10.5, 10.6, 10.7, 10.8)

Linux Operating Systems Supported

Fedora 14, 15, 16, 17, Red Hat Enterprise Linux WS 4.0, 5.0, 6.0, Linux Desktop 9.6, SUSE Linux Enterprise Server 10, 11, SUSE Linux Enterprise Desktop 10, 11, Red Hat Linux Desktop 6.0, Debian GNU/Linux 5.0, 6.0, Ubuntu 11.04, 11.10, 12.04, Mint 9, 10, 11, 12, PCLinuxOS 2011.9, openSUSE 11.3, 11.4, 12.1

Microsoft Windows Operating Systems Supported

Server 2012, 8 x64, Server 2008 R2, Server 2008 R2 running Terminal Services, 8, Windows 7 x64, Server 2008 x64 running Terminal Services, Server 2008 x64, XP, Server 2003, XP x64, Server 2003 running Terminal Services, Server 2003 x64, Server 2003 x64 running Terminal Services, Vista, Vista x64, Server 2008, Server 2008 running Terminal Services, Windows 7

Novell Operating Systems Supported

Open Enterprise Server on SUSE Linux Enterprise Server, NetWare 5.1 (SP 6+), 6.0 (SP 3+) with Novell Distributed Print Services (NDPS), NetWare 6.5 Open Enterprise Server

UNIX Operating Systems Supported

IBM AIX 5.3, 6.1, 7.1, HP-UX 11.11, 11.23, 11.31, Sun Solaris SPARC 9, 10, Sun Solaris x86 10, 11

Included Paper Handling

550-Sheet Tray, Integrated Duplex, Staple Finisher, 100-Sheet Multipurpose Feeder, 550-Sheet Input, 550-Sheet Output Bin

Optional Paper Handling

550-Sheet Tray

Paper Input Capacity, Standard: Up to

1200 pages 20 lb or 75 gsm bond

Paper Input Capacity, Maximum: Up to

2300 pages 20 lb or 75 gsm bond

Paper Output Capacity, Standard: Up to

1050 pages 20 lb or 75 gsm bond

Paper Output Capacity, Maximum: Up to

1050 pages 20 lb or 75 gsm bond

ADF Paper Input Capacity

Up to 150 pages 20 lb or 75 gsm bond

Finishing Option

Standard

Number of Paper Inputs, Standard

3

Number of Paper Inputs, Maximum

5

Media Types Supported

Refer to the Card Stock & Label Guide, Paper Labels, Integrated Labels, Dual Web Labels, Card Stock, Envelopes, Transparencies, Plain Paper

Media Sizes Supported

A6, Oficio, Universal, Statement, Folio, DL Envelope, B5 Envelope, A4, 7 3/4 Envelope, 10 Envelope, 9 Envelope, A5, C5 Envelope, Executive, JIS-B5, Legal, Letter

Standard Ports

Rear USB 2.0 Specification Hi-Speed Certified Port (Type A), USB 2.0 Specification Hi-Speed Certified (Type B), One Internal Card Slot, Gigabit Ethernet (10/100/1000), Front USB 2.0 Specification Hi-Speed Certified Port (Type A)

Optional Network Ports

Internal MarkNet N8350 802.11b/g/n Wireless

Optional Local Ports

Internal 1284-b Bidirectional Parallel, Internal RS-232C serial

Network Printing Methods

IPP 1.0, 1.1, 2.0 (Internet Printing Protocol), FTP, TFTP, ThinPrint .print integration, Telnet, Enhanced IP (Port 9400), LPR/LPD, Direct IP (Port 9100)

Network Protocol Support

UDP, TCP, AppleTalk™, TCP/IP IPv4, TCP/IP IPv6

Network Security

IPSec, SNMPv3, 802.1x Authentication: MD5, MSCHAPv2, LEAP, PEAP, TLS, TTLS

Printer Languages (Standard)

PDF 1.7 emulation, PostScript 3 Emulation, PCL 5e Emulation, PCL 6 Emulation, Personal Printer Data Stream (PPDS), Direct Image, Microsoft XPS (XML Paper Specification)

Reduce / Enlarge Range

25 - 400 %

Scan Area, Maximum

215.9 x 355.6 mm

Scan Area, Maximum

8.5 x 14.0 inches

Modem Speed

ITU T.30, V.34 Half-Duplex, 33.6 Kbps

Laser Cartridge Yields

45,000*-page Extra High Yield Cartridge, 25,000*-page High Yield Cartridge, 6,000*-page Cartridge

Cartridge(s) Shipping with Product

25,000*-page High Yield Return Program Toner Cartridge

Replacement Cartridges:

Product functions only with replacement cartridges designed for use in a specific geographical region. See www.lexmark.com/regions for more details.

Packaged Size (mm - H x W x D)

1327 x 870 x 762 mm

Size (mm - H x W x D)

1133 x 663 x 734 mm

Packaged Size (in. - H x W x D)

52.24 x 34.25 x 30.0 in.

Size (in. - H x W x D)

44.6 x 26.1 x 28.9 in.

Weight (kg)

87.6 kg

Weight (lb.)

193.2 lb.

Noise Level, Idle

30 dBA

Print Noise Level, Operating

55 dBA

Copy Noise Level, Operating

55 dBA

Scan Noise Level, Operating

57 dBA

Product Warranty

1-Year Onsite Service, Next Business Day

Product Certifications

Energy Star V1.2, Blue Angel (RAL-UZ-122), CAN/CSA-C22.2 60950-1, CSA E60825-1, ICES-003 Class A, BSMI Class A, CIS 13438, VCCI Class A, US FDA, FCC Class A, UL 60950-1, IEC 320-1, EN/IEC 60320-1, CE Class A, CB IEC 60950-1, EN 62311, EN 60950-1, EN/IEC 61000-3, EN 55022 Class A, EN 55024, EN/IEC 60825-1, GS (TÜV), SEMKO, UL AR, GS, TÜV Rh, SMA C-tick mark Class A, CCC Class A, CISPIR 22 Class A, EK Mark, N Mark, ECMA-370, TED

Maximum Monthly Duty Cycle

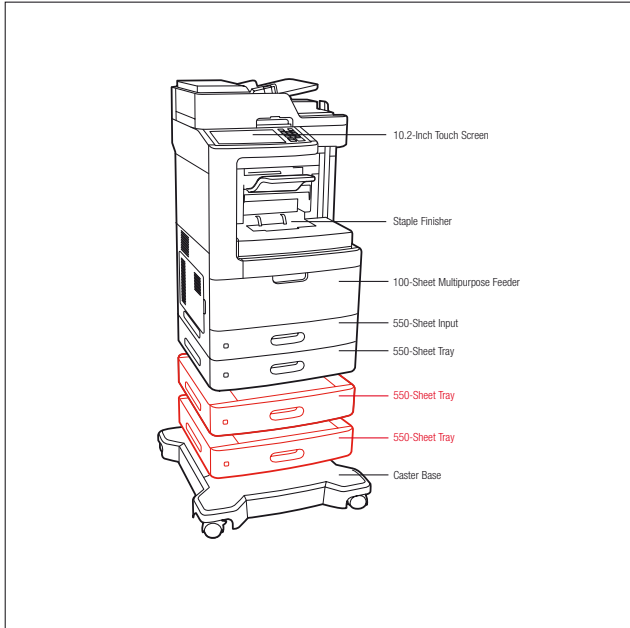
Up to 300,000 pages per month

Recommended Monthly Page Volume

5000 - 35000 pages

Specified Operating Environment

Altitude: 0 - 2896 Meters (9,500 Feet), Humidity: 8 to 80% Relative Humidity, Temperature: 16 to 32°C (60 to 90°F)



Standard
 Optional

| | |
|---------------|--|
| Part # | Model |
| 24T7408 | Lexmark MX810dfe |
| Part # | Laser Toner/Print Cartridge |
| 62D1X00 | 621X Extra High Yield Return Program Toner Cartridge |
| 62D1H00 | 621H High Yield Return Program Toner Cartridge |
| 62D1000 | 621 Return Program Toner Cartridge |
| 52D0Z00 | 520Z Black Return Program Imaging Unit |
| 62DOXA0 | 620XA Extra High Yield Toner Cartridge |
| 52DOZA0 | 520ZA Black Imaging Unit |
| 25A0013 | Staple Cartridges (3 pack) |
| Part # | Paper Handling |
| 24T7300 | 550-Sheet Tray |
| Part # | Memory Options |
| 57X9016 | 1024MBx32 DDR3-DRAM |
| 57X9012 | 2048MBx32 DDR3-DRAM |
| 57X9101 | 256MB Flash Memory Card |
| 57X9115 | Japanese Font Card |
| 57X9114 | Korean Font Card |
| 57X9112 | Simplified Chinese Font Card |
| 57X9110 | Traditional Chinese Font Card |
| Part # | Application Solutions |
| 24T7352 | Card for IPDS |
| 24T7351 | Forms and Bar Code Card |
| 24T7353 | Card for PRESCRIBE Emulation |
| Part # | Connectivity |
| 1021294 | USB Cable (2-meter) |
| 27X0225 | MarkNet N8350 802.11b/g/n Wireless Print Server |
| 14F0000 | Parallel 1284-B Interface Card |
| 1021231 | Parallel Cable (10-foot) |
| 14F0100 | RS-232C Serial Interface Card |
| Part # | Extended Warranties |
| 2355164 | MX810 2-Years Total (1+1) Onsite Service |
| 2355165 | MX810 3-Years Total (1+2) Onsite Service |
| 2355166 | MX810 4-Years Total (1+3) Onsite Service |
| 2355167 | MX810 5-Years Total (1+4) Onsite Service |
| 2355168 | MX810 1-Year Onsite Service Renewal |
| Part # | User Replaceable Parts |
| 40X8420 | Return Program Fuser Maintenance kit, 110-120V Type 00, Letter |
| 40X7706 | Roller Maintenance Kit |
| 40X8431 | ADF Maintenance Kit |
| 40X7743 | Return Program Fuser, 110-120V Type 00, Letter |
| 40X8425 | Fuser Maintenance kit, 110-120V, Type 05, Letter |
| 40X8016 | Fuser, 110-120V Type 05, Letter |



Lexmark MX810dme

Meet our high performance star. The Lexmark MX810dme saves time with blazing-fast processor, print, copy and scan speeds, and gives you the edge with solutions, a mailbox and two-sided printing.

Print Technology

Monochrome Laser

Function

Printing, Network Scanning, Faxing, Copying, Color Scanning

Display

Lexmark e-Task 10.2-inch (25.9 cm) color touch screen

Print Speed (Letter, Black)

Up to 55 ppm

Print Speed (Letter, Black) Duplex

Up to 33 ppm

Time to First Page (Black)

As fast as 4.8 seconds

Copy Speed (Letter, Black)

Up to 55 cpm

Time to First Copy (Black)

As fast as 4.5 seconds

Print Resolution, Black

600 x 600 dpi, 1200 Image Quality, 2400 Image Quality, 1200 x 1200 dpi

ADF Scan

DADF (Single Pass Duplex)

Optical Scanning Resolution

600 X 600 ppi (black), 300 X 300 ppi (color)

Processor

Dual Core, 800 MHz

Memory, Standard

1024 MB

Memory, Maximum

3072 MB

Hard Disk

Included in configuration

Expandable Memory Options

Yes

Apple Macintosh Operating Systems Supported

Mac OS X (10.5, 10.6, 10.7, 10.8)

Linux Operating Systems Supported

Fedora 14, 15, 16, 17, Red Hat Enterprise Linux WS 4.0, 5.0, 6.0, Linux Linux Desktop 9.6, SUSE Linux Enterprise Server 10, 11, SUSE Linux Enterprise Desktop 10, 11, Red Flag Linux Desktop 6.0, Debian GNU/Linux 5.0, 6.0, Ubuntu 11.04, 11.10, 12.04, Mint 9, 10, 11, 12, PCLinuxOS 2011.9, openSUSE 11.3, 11.4, 12.1

Microsoft Windows Operating Systems Supported

Server 2012, 8 x64, Server 2008 R2, Server 2008 R2 running Terminal Services, 8, Windows 7 x64, Server 2008 x64 running Terminal Services, Server 2008 x64, XP, Server 2003, XP x64, Server 2003 running Terminal Services, Server 2003 x64, Server 2003 x64 running Terminal Services, Vista, Vista x64, Server 2008, Server 2008 running Terminal Services, Windows 7

Novell Operating Systems Supported

Open Enterprise Server on SUSE Linux Enterprise Server, NetWare 5.1 (SP 6+), 6.0 (SP 3+) with Novell Distributed Print Services (NDPS), NetWare 6.5 Open Enterprise Server

UNIX Operating Systems Supported

IBM AIX 5.3, 6.1, 7.1, HP-UX 11.11, 11.23, 11.31, Sun Solaris SPARC 9, 10, Sun Solaris x86 10, 11

Included Paper Handling

550-Sheet Tray, 550-Sheet Input, 100-Sheet Multipurpose Feeder, 550-Sheet Output Bin, 4-Bin Mailbox, Integrated Duplex

Optional Paper Handling

550-Sheet Tray

Paper Input Capacity, Standard: Up to

1200 pages 20 lb or 75 gsm bond

Paper Input Capacity, Maximum: Up to

2300 pages 20 lb or 75 gsm bond

Paper Output Capacity, Standard: Up to

950 pages 20 lb or 75 gsm bond

Paper Output Capacity, Maximum: Up to

950 pages 20 lb or 75 gsm bond

ADF Paper Input Capacity

Up to 150 pages 20 lb or 75 gsm bond

Finishing Option

Standard

Number of Paper Inputs, Standard

3

Number of Paper Inputs, Maximum

5

Media Types Supported

Refer to the Card Stock & Label Guide, Paper Labels, Integrated Labels, Dual Web Labels, Card Stock, Envelopes, Transparencies, Plain Paper

Media Sizes Supported

A6, Oficio, Universal, Statement, Folio, DL Envelope, B5 Envelope, A4, 7 3/4 Envelope, 10 Envelope, 9 Envelope, A5, C5 Envelope, Executive, JIS-B5, Legal, Letter

Standard Ports

Rear USB 2.0 Specification Hi-Speed Certified Port (Type A), USB 2.0 Specification Hi-Speed Certified (Type B), One Internal Card Slot, Gigabit Ethernet (10/100/1000), Front USB 2.0 Specification Hi-Speed Certified Port (Type A)

Optional Network Ports

Internal MarkNet N8350 802.11b/g/n Wireless

Optional Local Ports

Internal 1284-B Bidirectional Parallel, Internal RS-232C serial

Network Printing Methods

IPP 1.0, 1.1, 2.0 (Internet Printing Protocol), FTP, TFTP, ThinPrint, print integration, Telnet, Enhanced IP (Port 9400), LPR/LPD, Direct IP (Port 9100)

Network Protocol Support

UDP, TCP, AppleTalk™, TCP/IP IPv4, TCP/IP IPv6

Network Security

IPSec, SNMPv3, 802.1x Authentication: MD5, MSCHAPv2, LEAP, PEAP, TLS, TTLS

Printer Languages (Standard)

PDF 1.7 emulation, PostScript 3 Emulation, PCL 5e Emulation, PCL 6 Emulation, Personal Printer Data Stream (PPDS), Direct Image, Microsoft XPS (XML Paper Specification)

Reduce / Enlarge Range

25 - 400 %

Scan Area, Maximum

215.9 x 355.6 mm

Scan Area, Maximum

8.5 x 14.0 inches

Modem Speed

ITU T.30, V.34 Half-Duplex, 33.6 Kbps

Laser Cartridge Yields

45,000*-page Extra High Yield Cartridge, 25,000*-page High Yield Cartridge, 6,000*-page Cartridge

Cartridge(s) Shipping with Product

25,000*-page High Yield Return Program Toner Cartridge

Replacement Cartridges:

Product functions only with replacement cartridges designed for use in a specific geographical region. See www.lexmark.com/regions for more details.

Packaged Size (mm - H x W x D)

1327 x 870 x 762 mm

Size (mm - H x W x D)

1133 x 663 x 734 mm

Packaged Size (in. - H x W x D)

52.24 x 34.25 x 30.0 in.

Size (in. - H x W x D)

44.6 x 26.1 x 28.9 in.

Weight (kg)

86.5 kg

Weight (lb.)

190.8 lb.

Noise Level, Idle

30 dBA

Print Noise Level, Operating

55 dBA

Copy Noise Level, Operating

55 dBA

Scan Noise Level, Operating

57 dBA

Product Warranty

1-Year Onsite Service, Next Business Day

Product Certifications

Energy Star V1.2, Blue Angel (RAL-UZ-122), CAN/CSA-C22.2 60950-1, CSA E60825-1, ICES-003 Class A, BSMI Class A, CIS 13438, VCCI Class A, US FDA, FCC Class A, UL 60950-1, IEC 320-1, EN/IEC 60320-1, CE Class A, CB IEC 60950-1, EN 62311, EN 60950-1, EN/IEC 61000-3, EN 55022 Class A, EN 55024, EN/IEC 60825-1, GS (TÜV), SEMKO, UL AR, CS, TÜV Rh, SMA C-tick mark Class A, CCC Class A, CISPIR 22 Class A, EK Mark, N Mark, ECMA-370, TED

Maximum Monthly Duty Cycle

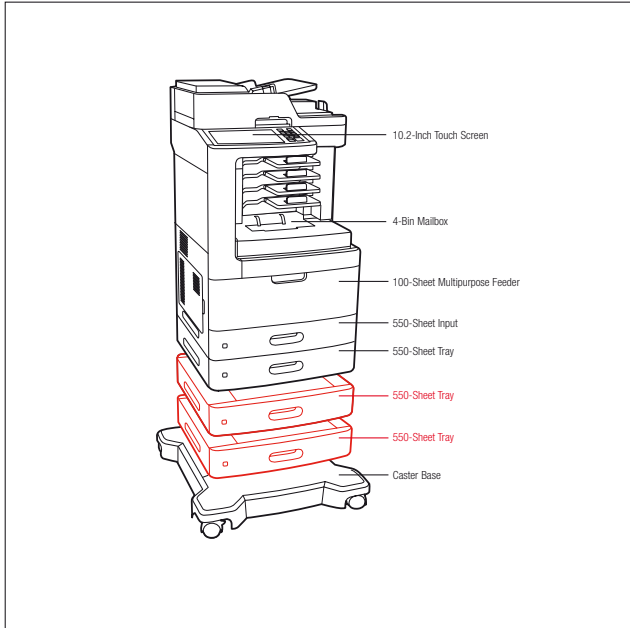
Up to 300000 pages per month

Recommended Monthly Page Volume

5000 - 35000 pages

Specified Operating Environment

Altitude: 0 - 2896 Meters (9,500 Feet), Humidity: 8 to 80% Relative Humidity, Temperature: 16 to 32°C (60 to 90°F)



Standard
 Optional

| Part # | Model |
|---------------|--|
| 24T7410 | Lexmark MX810dme |
| Part # | Laser Toner/Print Cartridge |
| 62D1X00 | 621X Extra High Yield Return Program Toner Cartridge |
| 62D1H00 | 621H High Yield Return Program Toner Cartridge |
| 62D1000 | 621 Return Program Toner Cartridge |
| 52D0Z00 | 520Z Black Return Program Imaging Unit |
| 62DOXA0 | 620XA Extra High Yield Toner Cartridge |
| 52DOZA0 | 520ZA Black Imaging Unit |
| Part # | Paper Handling |
| 24T7300 | 550-Sheet Tray |
| Part # | Memory Options |
| 57X9016 | 1024MBx32 DDR3-DRAM |
| 57X9012 | 2048MBx32 DDR3-DRAM |
| 57X9101 | 256MB Flash Memory Card |
| 57X9115 | Japanese Font Card |
| 57X9114 | Korean Font Card |
| 57X9112 | Simplified Chinese Font Card |
| 57X9110 | Traditional Chinese Font Card |
| Part # | Application Solutions |
| 24T7352 | Card for IPDS |
| 24T7351 | Forms and Bar Code Card |
| 24T7353 | Card for PRESCRIBE Emulation |
| Part # | Connectivity |
| 1021294 | USB Cable (2-meter) |
| 27X0225 | MarkNet N8350 802.11b/g/n Wireless Print Server |
| 14F0000 | Parallel 1284-B Interface Card |
| 1021231 | Parallel Cable (10-foot) |
| 14F0100 | RS-232C Serial Interface Card |
| Part # | Extended Warranties |
| 2355164 | MX810 2-Years Total (1+1) Onsite Service |
| 2355165 | MX810 3-Years Total (1+2) Onsite Service |
| 2355166 | MX810 4-Years Total (1+3) Onsite Service |
| 2355167 | MX810 5-Years Total (1+4) Onsite Service |
| 2355168 | MX810 1-Year Onsite Service Renewal |
| Part # | User Replaceable Parts |
| 40X8420 | Return Program Fuser Maintenance kit, 110-120V Type 00, Letter |
| 40X7706 | Roller Maintenance Kit |
| 40X8431 | ADF Maintenance Kit |
| 40X7743 | Return Program Fuser, 110-120V Type 00, Letter |
| 40X8425 | Fuser Maintenance kit, 110-120V, Type 05, Letter |
| 40X8016 | Fuser, 110-120V Type 05, Letter |



Lexmark MX810dtfe

Meet our high performance star. The Lexmark MX810dtfe saves time with blazing-fast processor, print, copy and scan speeds—and gives you the edge with solutions, a staple finisher, an extra paper tray and 2-sided printing.

Print Technology

Monochrome Laser

Function

Printing, Network Scanning, Faxing, Copying, Color Scanning

Display

Lexmark e-Task 10.2-inch (25.9 cm) color touch screen

Print Speed (Letter, Black)

Up to 55 ppm

Print Speed (Letter, Black) Duplex

Up to 33 ppm

Time to First Page (Black)

As fast as 4.8 seconds

Copy Speed (Letter, Black)

Up to 55 cpm

Time to First Copy (Black)

As fast as 4.5 seconds

Print Resolution, Black

600 x 600 dpi, 1200 Image Quality, 2400 Image Quality, 1200 x 1200 dpi

ADF Scan

DADF (Single Pass Duplex)

Optical Scanning Resolution

600 X 600 ppi (black), 300 X 300 ppi (color)

Processor

Dual Core, 800 MHz

Memory, Standard

1024 MB

Memory, Maximum

3072 MB

Hard Disk

Included in configuration

Expandable Memory Options

Yes

Apple Macintosh Operating Systems Supported

Mac OS X (10.5, 10.6, 10.7, 10.8)

Linux Operating Systems Supported

Fedora 14, 15, 16, 17, Red Hat Enterprise Linux WS 4.0, 5.0, 6.0, Linux Desktop 9.6, SUSE Linux Enterprise Server 10, 11, SUSE Linux Enterprise Desktop 10, 11, Red Flag Linux Desktop 6.0, Debian GNU/Linux 5.0, 6.0, Ubuntu 11.04, 11.10, 12.04, Mint 9, 10, 11, 12, PCLinuxOS 2011.9, openSUSE 11.3, 11.4, 12.1

Microsoft Windows Operating Systems Supported

Server 2012, 8 x64, Server 2008 R2, Server 2008 R2 running Terminal Services, 8, Windows 7 x64, Server 2008 x64 running Terminal Services, Server 2008 x64, XP, Server 2003, XP x64, Server 2003 running Terminal Services, Server 2003 x64, Server 2003 x64 running Terminal Services, Vista, Vista x64, Server 2008, Server 2008 running Terminal Services, Windows 7

Novell Operating Systems Supported

Open Enterprise Server on SUSE Linux Enterprise Server, NetWare 5.1 (SP 6+), 6.0 (SP 3+) with Novell Distributed Print Services (NDPS), NetWare 6.5 Open Enterprise Server

UNIX Operating Systems Supported

IBM AIX 5.3, 6.1, 7.1, HP-UX 11.11, 11.23, 11.31, Sun Solaris SPARC 9, 10, Sun Solaris x86 10, 11

Included Paper Handling

2 x 550-Sheet Tray, Integrated Duplex, 100-Sheet Multipurpose Feeder, 550-Sheet Input, 550-Sheet Output Bin, Staple Finisher

Optional Paper Handling

550-Sheet Tray

Paper Input Capacity, Standard: Up to

1750 pages 20 lb or 75 gsm bond

Paper Input Capacity, Maximum: Up to

2300 pages 20 lb or 75 gsm bond

Paper Output Capacity, Standard: Up to

1050 pages 20 lb or 75 gsm bond

Paper Output Capacity, Maximum: Up to

1050 pages 20 lb or 75 gsm bond

ADF Paper Input Capacity

Up to 150 pages 20 lb or 75 gsm bond

Finishing Option

Standard

Number of Paper Inputs, Standard

4

Number of Paper Inputs, Maximum

5

Media Types Supported

Refer to the Card Stock & Label Guide, Paper Labels, Integrated Labels, Dual Web Labels, Card Stock, Envelopes, Transparencies, Plain Paper

Media Sizes Supported

A6, Oficio, Universal, Statement, Folio, DL Envelope, B5 Envelope, A4, 7 3/4 Envelope, 10 Envelope, 9 Envelope, A5, C5 Envelope, Executive, JIS-B5, Legal, Letter

Standard Ports

Rear USB 2.0 Specification Hi-Speed Certified Port (Type A), USB 2.0 Specification Hi-Speed Certified (Type B), One Internal Card Slot, Gigabit Ethernet (10/100/1000), Front USB 2.0 Specification Hi-Speed Certified Port (Type A)

Optional Network Ports

Internal MarkNet N8350 802.11b/g/n Wireless

Optional Local Ports

Internal 1284-b Bidirectional Parallel, Internal RS-232C serial

Network Printing Methods

IPP 1.0, 1.1, 2.0 (Internet Printing Protocol), FTP, TFTP, ThinPrint, print integration, Telnet, Enhanced IP (Port 9400), LPR/LPD, Direct IP (Port 9100)

Network Protocol Support

UDP, TCP, AppleTalk™, TCP/IP IPv4, TCP/IP IPv6

Network Security

IPSec, SNMPv3, 802.1x Authentication: MD5, MSCHAPv2, LEAP, PEAP, TLS, TTLS

Printer Languages (Standard)

PDF 1.7 emulation, PostScript 3 Emulation, PCL 5e Emulation, PCL 6 Emulation, Personal Printer Data Stream (PPDS), Direct Image, Microsoft XPS (XML Paper Specification)

Reduce / Enlarge Range

25 - 400 %

Scan Area, Maximum

215.9 x 355.6 mm

Scan Area, Maximum

8.5 x 14.0 inches

Modem Speed

ITU T.30, V.34 Half-Duplex, 33.6 Kbps

Laser Cartridge Yields

45,000*-page Extra High Yield Cartridge, 25,000*-page High Yield Cartridge, 6,000*-page Cartridge

Cartridge(s) Shipping with Product

25,000*-page High Yield Return Program Toner Cartridge

Replacement Cartridges:

Product functions only with replacement cartridges designed for use in a specific geographical region. See www.lexmark.com/regions for more details.

Packaged Size (mm - H x W x D)

1442 x 870 x 762 mm

Size (mm - H x W x D)

1243 x 663 x 734 mm

Packaged Size (in. - H x W x D)

56.77 x 34.25 x 30.0 in.

Size (in. - H x W x D)

48.9 x 26.1 x 28.9 in.

Weight (kg)

94.6 kg

Weight (lb.)

208.6 lb.

Noise Level, Idle

30 dBA

Print Noise Level, Operating

55 dBA

Copy Noise Level, Operating

55 dBA

Scan Noise Level, Operating

57 dBA

Product Warranty

1-Year Onsite Service, Next Business Day

Product Certifications

Energy Star V1.2, Blue Angel (RAL-UZ-122), CAN/CSA-C22.2 60950-1, CSA E60825-1, ICES-003 Class A, BSMI Class A, CIS 13438, VCCI Class A, US FDA, FCC Class A, UL 60950-1, IEC 320-1, EN/IEC 60320-1, CE Class A, CB IEC 60950-1, EN 62311, EN 60950-1, EN/IEC 61000-3, EN 55022 Class A, EN 55024, EN/IEC 60825-1, GS (TUV), SEMKO, UL AR, GS, TÜV Rh, SMA C-tick mark Class A, CCC Class A, CISPIR 22 Class A, EK Mark, N Mark, ECMA-370, TED

Maximum Monthly Duty Cycle

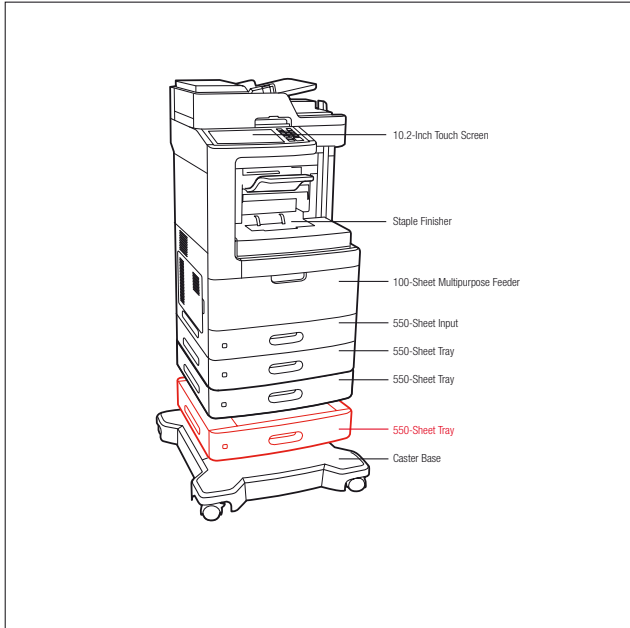
Up to 300000 pages per month

Recommended Monthly Page Volume

5000 - 35000 pages

Specified Operating Environment

Altitude: 0 - 2896 Meters (9,500 Feet), Humidity: 8 to 80% Relative Humidity, Temperature: 16 to 32°C (60 to 90°F)



Standard
 Optional

| | |
|---------------|--|
| Part # | Model |
| 24T7412 | Lexmark MX810dtfe |
| Part # | Laser Toner/Print Cartridge |
| 62D1X00 | 621X Extra High Yield Return Program Toner Cartridge |
| 62D1H00 | 621H High Yield Return Program Toner Cartridge |
| 62D1000 | 621 Return Program Toner Cartridge |
| 52D0Z00 | 520Z Black Return Program Imaging Unit |
| 62D0XA0 | 620XA Extra High Yield Toner Cartridge |
| 52D0ZA0 | 520ZA Black Imaging Unit |
| 25A0013 | Staple Cartridges (3 pack) |
| Part # | Paper Handling |
| 24T7300 | 550-Sheet Tray |
| Part # | Memory Options |
| 57X9016 | 1024MBx32 DDR3-DRAM |
| 57X9012 | 2048MBx32 DDR3-DRAM |
| 57X9101 | 256MB Flash Memory Card |
| 57X9115 | Japanese Font Card |
| 57X9114 | Korean Font Card |
| 57X9112 | Simplified Chinese Font Card |
| 57X9110 | Traditional Chinese Font Card |
| Part # | Application Solutions |
| 24T7352 | Card for IPDS |
| 24T7351 | Forms and Bar Code Card |
| 24T7353 | Card for PRESCRIBE Emulation |
| Part # | Connectivity |
| 1021294 | USB Cable (2-meter) |
| 27X0225 | MarkNet N8350 802.11b/g/n Wireless Print Server |
| 14F0000 | Parallel 1284-B Interface Card |
| 1021231 | Parallel Cable (10-foot) |
| 14F0100 | RS-232C Serial Interface Card |
| Part # | Extended Warranties |
| 2355164 | MX810 2-Years Total (1+1) Onsite Service |
| 2355165 | MX810 3-Years Total (1+2) Onsite Service |
| 2355166 | MX810 4-Years Total (1+3) Onsite Service |
| 2355167 | MX810 5-Years Total (1+4) Onsite Service |
| 2355168 | MX810 1-Year Onsite Service Renewal |
| Part # | User Replaceable Parts |
| 40X8420 | Return Program Fuser Maintenance kit, 110-120V Type 00, Letter |
| 40X7706 | Roller Maintenance Kit |
| 40X8431 | ADF Maintenance Kit |
| 40X7743 | Return Program Fuser, 110-120V Type 00, Letter |
| 40X8425 | Fuser Maintenance kit, 110-120V, Type 05, Letter |
| 40X8016 | Fuser, 110-120V Type 05, Letter |



Lexmark MX810dtn

Meet our high performance star. The Lexmark MX810dtn saves time with blazing-fast processor, print, copy and scan speeds—and gives you the edge with solutions, a mailbox, an extra paper tray and 2-sided printing.

Print Technology

Monochrome Laser

Function

Printing, Network Scanning, Faxing, Copying, Color Scanning

Display

Lexmark e-Task 10.2-inch (25.9 cm) color touch screen

Print Speed (Letter, Black)

Up to 55 ppm

Print Speed (Letter, Black) Duplex

Up to 33 ppm

Time to First Page (Black)

As fast as 4.8 seconds

Copy Speed (Letter, Black)

Up to 55 cpm

Time to First Copy (Black)

As fast as 4.5 seconds

Print Resolution, Black

600 x 600 dpi, 1200 Image Quality, 2400 Image Quality, 1200 x 1200 dpi

ADF Scan

DADF (Single Pass Duplex)

Optical Scanning Resolution

600 X 600 ppi (black), 300 X 300 ppi (color)

Processor

Dual Core, 800 MHz

Memory, Standard

1024 MB

Memory, Maximum

3072 MB

Hard Disk

Included in configuration

Expandable Memory Options

Yes

Apple Macintosh Operating Systems Supported

Mac OS X (10.5, 10.6, 10.7, 10.8)

Linux Operating Systems Supported

Fedora 14, 15, 16, 17, Red Hat Enterprise Linux WS 4.0, 5.0, 6.0, Linux Desktop 9.6, SUSE Linux Enterprise Server 10, 11, SUSE Linux Enterprise Desktop 10, 11, Red Flag Linux Desktop 6.0, Debian GNU/Linux 5.0, 6.0, Ubuntu 11.04, 11.10, 12.04, Mint 9, 10, 11, 12, PCLinuxOS 2011.9, openSUSE 11.3, 11.4, 12.1

Microsoft Windows Operating Systems Supported

Server 2012, 8 x64, Server 2008 R2, Server 2008 R2 running Terminal Services, 8, Windows 7 x64, Server 2008 x64 running Terminal Services, Server 2008 x64, XP, Server 2003, XP x64, Server 2003 running Terminal Services, Server 2003 x64, Server 2003 x64 running Terminal Services, Vista, Vista x64, Server 2008, Server 2008 running Terminal Services, Windows 7

Novell Operating Systems Supported

Open Enterprise Server on SUSE Linux Enterprise Server, NetWare 5.1 (SP 6+), 6.0 (SP 3+) with Novell Distributed Print Services (NDPS), NetWare 6.5 Open Enterprise Server

UNIX Operating Systems Supported

IBM AIX 5.3, 6.1, 7.1, HP-UX 11.11, 11.23, 11.31, Sun Solaris SPARC 9, 10, Sun Solaris x86 10, 11

Included Paper Handling

2 x 550-Sheet Tray, Integrated Duplex, 100-Sheet Multipurpose Feeder, 550-Sheet Input, 550-Sheet Output Bin, 4-Bin Mailbox

Optional Paper Handling

550-Sheet Tray

Paper Input Capacity, Standard: Up to

1750 pages 20 lb or 75 gsm bond

Paper Input Capacity, Maximum: Up to

2300 pages 20 lb or 75 gsm bond

Paper Output Capacity, Standard: Up to

950 pages 20 lb or 75 gsm bond

Paper Output Capacity, Maximum: Up to

950 pages 20 lb or 75 gsm bond

ADF Paper Input Capacity

Up to 150 pages 20 lb or 75 gsm bond

Finishing Option

Standard

Number of Paper Inputs, Standard

4

Number of Paper Inputs, Maximum

5

Media Types Supported

Refer to the Card Stock & Label Guide, Paper Labels, Integrated Labels, Dual Web Labels, Card Stock, Envelopes, Transparencies, Plain Paper

Media Sizes Supported

A6, Oficio, Universal, Statement, Folio, DL Envelope, B5 Envelope, A4, 7 3/4 Envelope, 10 Envelope, 9 Envelope, A5, C5 Envelope, Executive, JIS-B5, Legal, Letter

Standard Ports

Rear USB 2.0 Specification Hi-Speed Certified Port (Type A), USB 2.0 Specification Hi-Speed Certified (Type B), One Internal Card Slot, Gigabit Ethernet (10/100/1000), Front USB 2.0 Specification Hi-Speed Certified Port (Type A)

Optional Network Ports

Internal MarkNet N8350 802.11b/g/n Wireless

Optional Local Ports

Internal L3-BC Bidirectional Parallel, Internal RS-232C serial

Network Printing Methods

IPP 1.0, 1.1, 2.0 (Internet Printing Protocol), FTP, TFTP, ThinPrint .print integration, Telnet, Enhanced IP (Port 9400), LPR/LPD, Direct IP (Port 9100)

Network Protocol Support

UDP, TCP, AppleTalk™, TCP/IP IPv4, TCP/IP IPv6

Network Security

IPSec, SNMPv3, 802.1x Authentication: MD5, MSCHAPv2, LEAP, PEAP, TLS, TTLS

Printer Languages (Standard)

PDF 1.7 emulation, PostScript 3 Emulation, PCL 5e Emulation, PCL 6 Emulation, Personal Printer Data Stream (PPDS), Direct Image, Microsoft XPS (XML Paper Specification)

Reduce / Enlarge Range

25 - 400 %

Scan Area, Maximum

215.9 x 355.6 mm

Scan Area, Maximum

8.5 x 14.0 inches

Modem Speed

ITU T.30, V.34 Half-Duplex, 33.6 Kbps

Laser Cartridge Yields

45,000*-page Extra High Yield Cartridge, 25,000*-page High Yield Cartridge, 6,000*-page Cartridge

Cartridge(s) Shipping with Product

25,000*-page High Yield Return Program Toner Cartridge

Replacement Cartridges:

Product functions only with replacement cartridges designed for use in a specific geographical region. See www.lexmark.com/regions for more details.

Packaged Size (mm - H x W x D)

1442 x 870 x 762 mm

Size (mm - H x W x D)

1243 x 663 x 734 mm

Packaged Size (in. - H x W x D)

56.77 x 34.25 x 30.0 in.

Size (in. - H x W x D)

48.9 x 26.1 x 28.9 in.

Weight (kg)

93.5 kg

Weight (lb.)

206.4 lb.

Noise Level, Idle

30 dBA

Print Noise Level, Operating

55 dBA

Copy Noise Level, Operating

55 dBA

Scan Noise Level, Operating

57 dBA

Product Warranty

1-Year Onsite Service, Next Business Day

Product Certifications

Energy Star V1.2, Blue Angel (RAL-LUZ-122), CAN/CSA-C22.2 60950-1, CSA E60825-1, ICES-003 Class A, BSMI Class A, CIS 13438, VCCI Class A, US FDA, FCC Class A, UL 60950-1, IEC 320-1, EN/IEC 60320-1, CE Class A, CB IEC 60950-1, EN 62311, EN 60950-1, EN/IEC 61000-3, EN 55022 Class A, EN 55024, EN/IEC 60825-1, GS (TÜV), SEMKO, UL AR, GS, TÜV Rh, SMA C-tick mark Class A, CCC Class A, CISPIR 22 Class A, EK Mark, N Mark, ECMA-370, TED

Maximum Monthly Duty Cycle

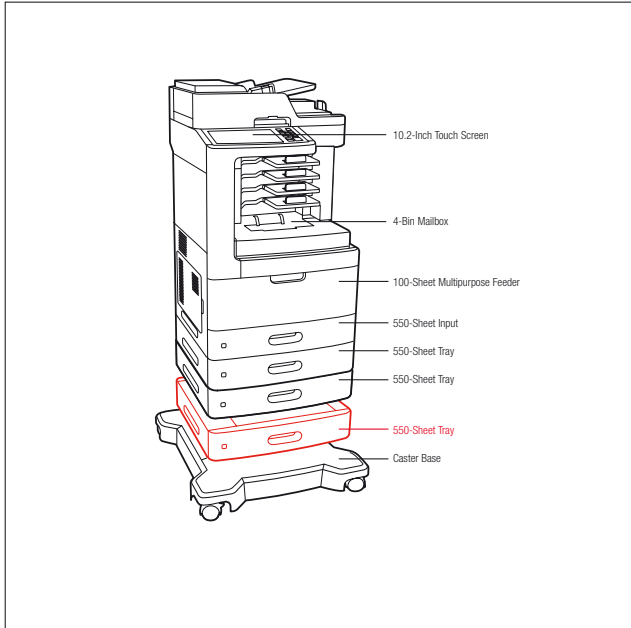
Up to 300,000 pages per month

Recommended Monthly Page Volume

5000 - 35000 pages

Specified Operating Environment

Altitude: 0 - 2896 Meters (9,500 Feet), Humidity: 8 to 80% Relative Humidity, Temperature: 16 to 32°C (60 to 90°F)



Standard
 Optional

| Part # | Model |
|---------|--|
| 24T7414 | Lexmark MX810dtme |
| Part # | Laser Toner/Print Cartridge |
| 62D1X00 | 621X Extra High Yield Return Program Toner Cartridge |
| 62D1H00 | 621H High Yield Return Program Toner Cartridge |
| 62D1000 | 621 Return Program Toner Cartridge |
| 52D0Z00 | 520Z Black Return Program Imaging Unit |
| 62D0XA0 | 620XA Extra High Yield Toner Cartridge |
| 52D0ZA0 | 520ZA Black Imaging Unit |
| Part # | Paper Handling |
| 24T7300 | 550-Sheet Tray |
| Part # | Memory Options |
| 57X9016 | 1024MBx32 DDR3-DRAM |
| 57X9012 | 2048MBx32 DDR3-DRAM |
| 57X9101 | 256MB Flash Memory Card |
| 57X9115 | Japanese Font Card |
| 57X9114 | Korean Font Card |
| 57X9112 | Simplified Chinese Font Card |
| 57X9110 | Traditional Chinese Font Card |
| Part # | Application Solutions |
| 24T7352 | Card for IPDS |
| 24T7351 | Forms and Bar Code Card |
| 24T7353 | Card for PRESCRIBE Emulation |
| Part # | Connectivity |
| 1021294 | USB Cable (2-meter) |
| 27X0225 | MarkNet N8350 802.11b/g/n Wireless Print Server |
| 14F0000 | Parallel 1284-B Interface Card |
| 1021231 | Parallel Cable (10-foot) |
| 14F0100 | RS-232C Serial Interface Card |
| Part # | Extended Warranties |
| 2355164 | MX810 2-Years Total (1+1) Onsite Service |
| 2355165 | MX810 3-Years Total (1+2) Onsite Service |
| 2355166 | MX810 4-Years Total (1+3) Onsite Service |
| 2355167 | MX810 5-Years Total (1+4) Onsite Service |
| 2355168 | MX810 1-Year Onsite Service Renewal |
| Part # | User Replaceable Parts |
| 40X8420 | Return Program Fuser Maintenance kit, 110-120V Type 00, Letter |
| 40X7706 | Roller Maintenance Kit |
| 40X8431 | ADF Maintenance Kit |
| 40X7743 | Return Program Fuser, 110-120V Type 00, Letter |
| 40X8425 | Fuser Maintenance kit, 110-120V, Type 05, Letter |
| 40X8016 | Fuser, 110-120V Type 05, Letter |



Lexmark MX810dxe

Meet our high performance star. The Lexmark MX810dxe saves time with blazing-fast processor, print, copy and scan speeds—and gives you the edge with solutions, high input capacity and 2-sided printing.

Print Technology

Monochrome Laser

Function

Printing, Network Scanning, Faxing, Copying, Color Scanning

Display

Lexmark e-Task 10.2-inch (25.9 cm) color touch screen

Print Speed (Letter, Black)

Up to 55 ppm

Print Speed (Letter, Black) Duplex

Up to 33 ppm

Time to First Page (Black)

As fast as 4.8 seconds

Copy Speed (Letter, Black)

Up to 55 cpm

Time to First Copy (Black)

As fast as 4.5 seconds

Print Resolution, Black

600 x 600 dpi, 1200 Image Quality, 2400 Image Quality, 1200 x 1200 dpi

ADF Scan

DADF (Single Pass Duplex)

Optical Scanning Resolution

600 X 600 ppi (black), 300 X 300 ppi (color)

Processor

Dual Core, 800 MHz

Memory, Standard

1024 MB

Memory, Maximum

3072 MB

Hard Disk

Included in configuration

Expandable Memory Options

Yes

Apple Macintosh Operating Systems Supported

Mac OS X (10.5, 10.6, 10.7, 10.8)

Linux Operating Systems Supported

Fedora 14, 15, 16, 17, Red Hat Enterprise Linux WS 4.0, 5.0, 6.0, Linpus Linux Desktop 9.6, SUSE Linux Enterprise Server 10, 11, SUSE Linux Enterprise Desktop 10, 11, Red Hat Linux Desktop 6.0, Debian GNU/Linux 5.0, 6.0, Ubuntu 11.04, 11.10, 12.04, Mint 9, 10, 11, 12, PCLinuxOS 2011.9, openSUSE 11.3, 11.4, 12.1

Microsoft Windows Operating Systems Supported

Server 2012, 8 x64, Server 2008 R2, Server 2008 R2 running Terminal Services, 8, Windows 7 x64, Server 2008 x64 running Terminal Services, Server 2008 x64, XP, Server 2003, XP x64, Server 2003 running Terminal Services, Server 2003 x64, Server 2003 x64 running Terminal Services, Vista, Vista x64, Server 2008, Server 2008 running Terminal Services, Windows 7

Novell Operating Systems Supported

Open Enterprise Server on SUSE Linux Enterprise Server, NetWare 5.1 (SP 6+), 6.0 (SP 3+) with Novell Distributed Print Services (NDPS), NetWare 6.5 Open Enterprise Server

UNIX Operating Systems Supported

IBM AIX 5.3, 6.1, 7.1, HP-UX 11.11, 11.23, 11.31, Sun Solaris SPARC 9, 10, Sun Solaris x86 10, 11

Included Paper Handling

2100-Sheet Tray, 550-Sheet Input, 100-Sheet Multipurpose Feeder, 550-Sheet Output Bin, Offset Stacker, Integrated Duplex

Paper Input Capacity, Standard: Up to

2750 pages 20 lb or 75 gsm bond

Paper Input Capacity, Maximum: Up to

2750 pages 20 lb or 75 gsm bond

Paper Output Capacity, Standard: Up to

1050 pages 20 lb or 75 gsm bond

Paper Output Capacity, Maximum: Up to

1050 pages 20 lb or 75 gsm bond

ADF Paper Input Capacity

Up to 150 pages 20 lb or 75 gsm bond

Finishing Option

Standard

Number of Paper Inputs, Standard

3

Number of Paper Inputs, Maximum

3

Media Types Supported

Refer to the Card Stock & Label Guide, Paper Labels, Integrated Labels, Dual Web Labels, Card Stock, Envelopes, Transparencies, Plain Paper

Media Sizes Supported

A6, Oficio, Universal, Statement, Folio, DL Envelope, B5 Envelope, A4, 7 3/4 Envelope, 10 Envelope, 9 Envelope, A5, C5 Envelope, Executive, JIS-B5, Legal, Letter

Standard Ports

Rear USB 2.0 Specification Hi-Speed Certified Port (Type A), USB 2.0 Specification Hi-Speed Certified (Type B), One Internal Card Slot, Gigabit Ethernet (10/100/1000), Front USB 2.0 Specification Hi-Speed Certified Port (Type A)

Optional Network Ports

Internal MarkNet N8350 802.11b/g/n Wireless

Optional Local Ports

Internal 1284-B Bidirectional Parallel, Internal RS-232C serial

Network Printing Methods

IPP 1.0, 1.1, 2.0 (Internet Printing Protocol), FTP, TFTP, ThinPrint, print integration, Telnet, Enhanced IP (Port 9400), LPR/LPD, Direct IP (Port 9100)

Network Protocol Support

UDP, TCP, AppleTalk™, TCP/IP IPv4, TCP/IP IPv6

Network Security

IPSec, SNMPv3, 802.1x Authentication: MD5, MSCHAPv2, LEAP, PEAP, TLS, TTLS

Printer Languages (Standard)

PDF 1.7 emulation, PostScript 3 Emulation, PCL 5e Emulation, PCL 6 Emulation, Personal Printer Data Stream (PPDS), Direct Image, Microsoft XPS (XML Paper Specification)

Reduce / Enlarge Range

25 - 400 %

Scan Area, Maximum

215.9 x 355.6 mm

Scan Area, Maximum

8.5 x 14.0 inches

Modem Speed

ITU T.30, V.34 Half-Duplex, 33.6 Kbps

Laser Cartridge Yields

45,000*-page Extra High Yield Cartridge, 25,000*-page High Yield Cartridge, 6,000*-page Cartridge

Cartridge(s) Shipping with Product

25,000*-page High Yield Return Program Toner Cartridge

Replacement Cartridges:

Product functions only with replacement cartridges designed for use in a specific geographical region. See www.lexmark.com/regions for more details.

Packaged Size (mm - H x W x D)

1567 x 870 x 762 mm

Size (mm - H x W x D)

1374 x 863 x 734 mm

Packaged Size (in. - H x W x D)

61.69 x 34.25 x 30.0 in.

Size (in. - H x W x D)

54.1 x 26.1 x 28.9 in.

Weight (kg)

97.5 kg

Weight (lb.)

214.9 lb.

Noise Level, Idle

30 dBA

Print Noise Level, Operating

55 dBA

Copy Noise Level, Operating

55 dBA

Scan Noise Level, Operating

57 dBA

Product Warranty

1-Year Onsite Service, Next Business Day

Product Certifications

Energy Star V1.2, Blue Angel (RAL-UZ-122), CAN/CSA-C22.2 60950-1, CSA E60825-1, ICES-003 Class A, BSMI Class A, CNS 13438, VCCI Class A, US FDA, FCC Class A, UL 60950-1, IEC 320-1, EN/IEC 60320-1, CE Class A, CB IEC 60950-1, EN 62311, EN 60950-1, EN/IEC 61000-3, EN 55022 Class A, EN 55024, EN/IEC 60825-1, GS (TUV), SEMKO, UL AR, CS, TÜV Rh, SMA C-tick mark Class A, CCC Class A, CISPIR 22 Class A, EK Mark, N Mark, ECMA-370, TED

Maximum Monthly Duty Cycle

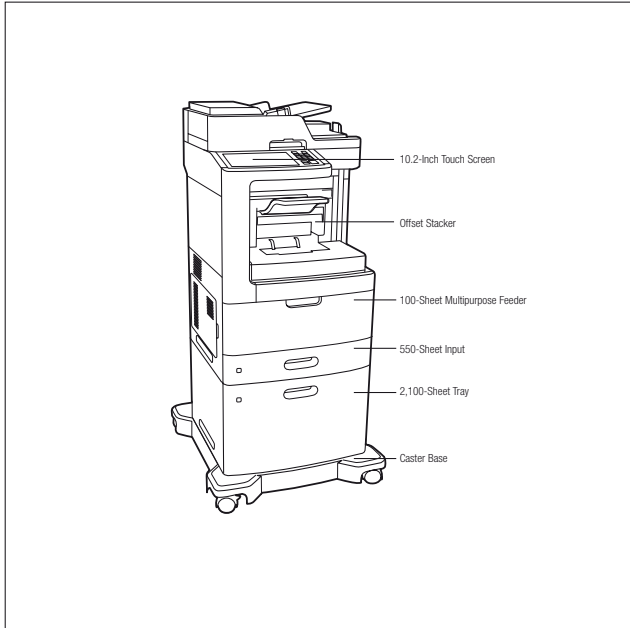
Up to 300,000 pages per month

Recommended Monthly Page Volume

5000 - 35,000 pages

Specified Operating Environment

Altitude: 0 - 2896 Meters (9,500 Feet), Humidity: 8 to 80% Relative Humidity, Temperature: 16 to 32°C (60 to 90°F)



Standard
 Optional

| | |
|---------------|--|
| Part # | Model |
| 24T7415 | Lexmark MX810dxe |
| Part # | Laser Toner/Print Cartridge |
| 62D1X00 | 621X Extra High Yield Return Program Toner Cartridge |
| 62D1H00 | 621H High Yield Return Program Toner Cartridge |
| 62D1000 | 621 Return Program Toner Cartridge |
| 52D0Z00 | 520Z Black Return Program Imaging Unit |
| 62D0XA0 | 620XA Extra High Yield Toner Cartridge |
| 52D0ZA0 | 520ZA Black Imaging Unit |
| Part # | Memory Options |
| 57X9016 | 1024MbX32 DDR3-DRAM |
| 57X9012 | 2048MbX32 DDR3-DRAM |
| 57X9101 | 256MB Flash Memory Card |
| 57X9115 | Japanese Font Card |
| 57X9114 | Korean Font Card |
| 57X9112 | Simplified Chinese Font Card |
| 57X9110 | Traditional Chinese Font Card |
| Part # | Application Solutions |
| 24T7352 | Card for IPDS |
| 24T7351 | Forms and Bar Code Card |
| 24T7353 | Card for PRESCRIBE Emulation |
| Part # | Connectivity |
| 1021294 | USB Cable (2-meter) |
| 27X0225 | MarkNet N8350 802.11b/g/n Wireless Print Server |
| 14F0000 | Parallel 1284-B Interface Card |
| 1021231 | Parallel Cable (10-foot) |
| 14F0100 | RS-232C Serial Interface Card |
| Part # | Extended Warranties |
| 2355164 | MX810 2-Years Total (1+1) Onsite Service |
| 2355165 | MX810 3-Years Total (1+2) Onsite Service |
| 2355166 | MX810 4-Years Total (1+3) Onsite Service |
| 2355167 | MX810 5-Years Total (1+4) Onsite Service |
| 2355168 | MX810 1-Year Onsite Service Renewal |
| Part # | User Replaceable Parts |
| 40X8420 | Return Program Fuser Maintenance kit, 110-120V Type 00, Letter |
| 40X7706 | Roller Maintenance Kit |
| 40X8431 | ADF Maintenance Kit |
| 40X7743 | Return Program Fuser, 110-120V Type 00, Letter |
| 40X8425 | Fuser Maintenance kit, 110-120V, Type 05, Letter |
| 40X8016 | Fuser, 110-120V Type 05, Letter |



Lexmark MX810dxf

Meet our high performance star. The Lexmark MX810dxf saves time with blazing-fast processor, print, copy and scan speeds—and gives you the edge with solutions, a staple finisher, high input capacity and 2-sided printing.

Print Technology

Monochrome Laser

Function

Printing, Network Scanning, Faxing, Copying, Color Scanning

Display

Lexmark e-Task 10.2-inch (25.9 cm) color touch screen

Print Speed (Letter, Black)

Up to 55 ppm

Print Speed (Letter, Black) Duplex

Up to 33 ppm

Time to First Page (Black)

As fast as 4.8 seconds

Copy Speed (Letter, Black)

Up to 55 cpm

Time to First Copy (Black)

As fast as 4.5 seconds

Print Resolution, Black

600 x 600 dpi, 1200 Image Quality, 2400 Image Quality, 1200 x 1200 dpi

ADF Scan

DADF (Single Pass Duplex)

Optical Scanning Resolution

600 X 600 ppi (black), 300 X 300 ppi (color)

Processor

Dual Core, 800 MHz

Memory, Standard

1024 MB

Memory, Maximum

3072 MB

Hard Disk

Included in configuration

Expandable Memory Options

Yes

Apple Macintosh Operating Systems Supported

Mac OS X (10.5, 10.6, 10.7, 10.8)

Linux Operating Systems Supported

Fedora 14, 15, 16, 17, Red Hat Enterprise Linux WS 4.0, 5.0, 6.0, Linpus Linux Desktop 9.6, SUSE Linux Enterprise Server 10, 11, SUSE Linux Enterprise Desktop 10, 11, Red Hat Linux Desktop 6.0, Debian GNU/Linux 5.0, 6.0, Ubuntu 11.04, 11.10, 12.04, Mint 9, 10, 11, 12, PCLinuxOS 2011.9, openSUSE 11.3, 11.4, 12.1

Microsoft Windows Operating Systems Supported

Server 2012, 8 x64, Server 2008 R2, Server 2008 R2 running Terminal Services, 8, Windows 7 x64, Server 2008 x64 running Terminal Services, Server 2008 x64, XP, Server 2003, XP x64, Server 2003 running Terminal Services, Server 2003 x64, Server 2003 x64 running Terminal Services, Vista, Vista x64, Server 2008, Server 2008 running Terminal Services, Windows 7

Novell Operating Systems Supported

Open Enterprise Server on SUSE Linux Enterprise Server, NetWare 5.1 (SP 6+), 6.0 (SP 3+) with Novell Distributed Print Services (NDPS), NetWare 6.5 Open Enterprise Server

UNIX Operating Systems Supported

IBM AIX 5.3, 6.1, 7.1, HP-UX 11.11, 11.23, 11.31, Sun Solaris SPARC 9, 10, Sun Solaris x86 10, 11

Included Paper Handling

2100-Sheet Tray, 550-Sheet Input, 100-Sheet Multipurpose Feeder, 550-Sheet Output Bin, Staple Finisher, Integrated Duplex

Paper Input Capacity, Standard: Up to

2750 pages 20 lb or 75 gsm bond

Paper Input Capacity, Maximum: Up to

2750 pages 20 lb or 75 gsm bond

Paper Output Capacity, Standard: Up to

1050 pages 20 lb or 75 gsm bond

Paper Output Capacity, Maximum: Up to

1050 pages 20 lb or 75 gsm bond

ADF Paper Input Capacity

Up to 150 pages 20 lb or 75 gsm bond

Finishing Option

Standard

Number of Paper Inputs, Standard

3

Number of Paper Inputs, Maximum

3

Media Types Supported

Refer to the Card Stock & Label Guide, Paper Labels, Integrated Labels, Dual Web Labels, Card Stock, Envelopes, Transparencies, Plain Paper

Media Sizes Supported

A6, Oficio, Universal, Statement, Folio, DL Envelope, B5 Envelope, A4, 7 3/4 Envelope, 10 Envelope, 9 Envelope, A5, C5 Envelope, Executive, JIS-B5, Legal, Letter

Standard Ports

Rear USB 2.0 Specification Hi-Speed Certified Port (Type A), USB 2.0 Specification Hi-Speed Certified (Type B), One Internal Card Slot, Gigabit Ethernet (10/100/1000), Front USB 2.0 Specification Hi-Speed Certified Port (Type A)

Optional Network Ports

Internal MarkNet N8350 802.11b/g/n Wireless

Optional Local Ports

Internal 1284-B Bidirectional Parallel, Internal RS-232C serial

Network Printing Methods

IPP 1.0, 1.1, 2.0 (Internet Printing Protocol), FTP, TFTP, ThinPrint, print integration, Telnet, Enhanced IP (Port 9400), LPR/LPD, Direct IP (Port 9100)

Network Protocol Support

UDP, TCP, AppleTalk™, TCP/IP IPv4, TCP/IP IPv6

Network Security

IPSec, SNMPv3, 802.1x Authentication: MD5, MSCHAPv2, LEAP, PEAP, TLS, TTLS

Printer Languages (Standard)

PDF 1.7 emulation, PostScript 3 Emulation, PCL 5e Emulation, PCL 6 Emulation, Personal Printer Data Stream (PPDS), Direct Image, Microsoft XPS (XML Paper Specification)

Reduce / Enlarge Range

25 - 400 %

Scan Area, Maximum

215.9 x 355.6 mm

Scan Area, Maximum

8.5 x 14.0 inches

Modem Speed

ITU T.30, V.34 Half-Duplex, 33.6 Kbps

Laser Cartridge Yields

45,000*-page Extra High Yield Cartridge, 25,000*-page High Yield Cartridge, 6,000*-page Cartridge

Cartridge(s) Shipping with Product

25,000*-page High Yield Return Program Toner Cartridge

Replacement Cartridges:

Product functions only with replacement cartridges designed for use in a specific geographical region. See www.lexmark.com/regions for more details.

Packaged Size (mm - H x W x D)

1567 x 870 x 762 mm

Size (mm - H x W x D)

1374 x 663 x 734 mm

Packaged Size (in. - H x W x D)

61.69 x 34.25 x 30.0 in.

Size (in. - H x W x D)

54.1 x 26.1 x 28.9 in.

Weight (kg)

100.0 kg

Weight (lb.)

220.4 lb.

Noise Level, Idle

30 dBA

Print Noise Level, Operating

55 dBA

Copy Noise Level, Operating

55 dBA

Scan Noise Level, Operating

57 dBA

Product Warranty

1-Year Onsite Service, Next Business Day

Product Certifications

Energy Star V1.2, Blue Angel (RAL-UZ-122), CAN/CSA-C22.2 60950-1, CSA E60825-1, ICES-003 Class A, BSMI Class A, CNS 13438, VCCI Class A, US FDA, FCC Class A, UL 60950-1, IEC 320-1, EN/IEC 60320-1, CE Class A, CB IEC 60950-1, EN 62311, EN 60950-1, EN/IEC 61000-3, EN 55022 Class A, EN 55024, EN/IEC 60825-1, GS (TUV), SEMKO, UL AR, CS, TÜV Rh, SMA C-lick mark Class A, CCC Class A, CISPIR 22 Class A, EK Mark, N Mark, ECMA-370, TED

Maximum Monthly Duty Cycle

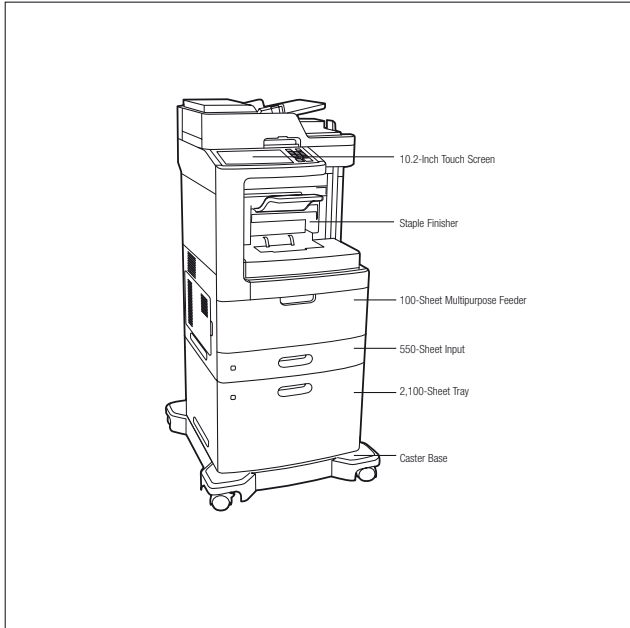
Up to 300,000 pages per month

Recommended Monthly Page Volume

5000 - 35,000 pages

Specified Operating Environment

Altitude: 0 - 2896 Meters (9,500 Feet), Humidity: 8 to 90% Relative Humidity, Temperature: 16 to 32°C (60 to 90°F)



Standard
 Optional

| Part # | Model |
|---------|--|
| 24T7416 | Lexmark MX810dxf |
| Part # | Laser Toner/Print Cartridge |
| 62D1X00 | 621X Extra High Yield Return Program Toner Cartridge |
| 62D1H00 | 621H High Yield Return Program Toner Cartridge |
| 62D1000 | 621 Return Program Toner Cartridge |
| 52D0Z00 | 520Z Black Return Program Imaging Unit |
| 62DOXA0 | 620XA Extra High Yield Toner Cartridge |
| 52DOZA0 | 520ZA Black Imaging Unit |
| 25A0013 | Staple Cartridges (3 pack) |
| Part # | Memory Options |
| 57X9016 | 1024MBx32 DDR3-DRAM |
| 57X9012 | 2048MBx32 DDR3-DRAM |
| 57X9101 | 256MB Flash Memory Card |
| 57X9115 | Japanese Font Card |
| 57X9114 | Korean Font Card |
| 57X9112 | Simplified Chinese Font Card |
| 57X9110 | Traditional Chinese Font Card |
| Part # | Application Solutions |
| 24T7352 | Card for IPDS |
| 24T7351 | Forms and Bar Code Card |
| 24T7353 | Card for PRESCRIBE Emulation |
| Part # | Connectivity |
| 1021294 | USB Cable (2-meter) |
| 27X0225 | MarkNet N8350 802.11b/g/n Wireless Print Server |
| 14F0000 | Parallel 1284-B Interface Card |
| 1021231 | Parallel Cable (10-foot) |
| 14F0100 | RS-232C Serial Interface Card |
| Part # | Extended Warranties |
| 2355164 | MX810 2-Years Total (1+1) Onsite Service |
| 2355165 | MX810 3-Years Total (1+2) Onsite Service |
| 2355166 | MX810 4-Years Total (1+3) Onsite Service |
| 2355167 | MX810 5-Years Total (1+4) Onsite Service |
| 2355168 | MX810 1-Year Onsite Service Renewal |
| Part # | User Replaceable Parts |
| 40X8420 | Return Program Fuser Maintenance kit, 110-120V Type 00, Letter |
| 40X7706 | Roller Maintenance Kit |
| 40X8431 | ADF Maintenance Kit |
| 40X7743 | Return Program Fuser, 110-120V Type 00, Letter |
| 40X8425 | Fuser Maintenance kit, 110-120V, Type 05, Letter |
| 40X8016 | Fuser, 110-120V Type 05, Letter |



Lexmark MX810dxme

Meet our high performance star. The Lexmark MX810dxme saves time with blazing-fast processor, print, copy and scan speeds—and gives you the edge with solutions, a mailbox, high input capacity and 2-sided printing.

Print Technology

Monochrome Laser

Function

Printing, Network Scanning, Faxing, Copying, Color Scanning

Display

Lexmark e-Task 10.2-inch (25.9 cm) color touch screen

Print Speed (Letter, Black)

Up to 55 ppm

Print Speed (Letter, Black) Duplex

Up to 33 ppm

Time to First Page (Black)

As fast as 4.8 seconds

Copy Speed (Letter, Black)

Up to 55 cpm

Time to First Copy (Black)

As fast as 4.5 seconds

Print Resolution, Black

600 x 600 dpi, 1200 Image Quality, 2400 Image Quality, 1200 x 1200 dpi

ADF Scan

DADF (Single Pass Duplex)

Optical Scanning Resolution

600 X 600 ppi (black), 300 X 300 ppi (color)

Processor

Dual Core, 800 MHz

Memory, Standard

1024 MB

Memory, Maximum

3072 MB

Hard Disk

Included in configuration

Expandable Memory Options

Yes

Apple Macintosh Operating Systems Supported

Mac OS X (10.5, 10.6, 10.7, 10.8)

Linux Operating Systems Supported

Fedora 14, 15, 16, 17, Red Hat Enterprise Linux WS 4.0, 5.0, 6.0, Linpus Linux Desktop 9.6, SUSE Linux Enterprise Server 10, 11, SUSE Linux Enterprise Desktop 10, 11, Red Hat Linux Desktop 6.0, Debian GNU/Linux 5.0, 6.0, Ubuntu 11.04, 11.10, 12.04, Mint 9, 10, 11, 12, PCLinuxOS 2011.9, openSUSE 11.3, 11.4, 12.1

Microsoft Windows Operating Systems Supported

Server 2012, 8 x64, Server 2008 R2, Server 2008 R2 running Terminal Services, 8, Windows 7 x64, Server 2008 x64 running Terminal Services, Server 2008 x64, XP, Server 2003, XP x64, Server 2003 running Terminal Services, Server 2003 x64, Server 2003 x64 running Terminal Services, Vista, Vista x64, Server 2008, Server 2008 running Terminal Services, Windows 7

Novell Operating Systems Supported

Open Enterprise Server on SUSE Linux Enterprise Server, NetWare 5.1 (SP 6+), 6.0 (SP 3+) with Novell Distributed Print Services (NDPS), NetWare 6.5 Open Enterprise Server

UNIX Operating Systems Supported

IBM AIX 5.3, 6.1, 7.1, HP-UX 11.11, 11.23, 11.31, Sun Solaris SPARC 9, 10, Sun Solaris x86 10, 11

Included Paper Handling

2100-Sheet Tray, 550-Sheet Input, 100-Sheet Multipurpose Feeder, 550-Sheet Output Bin, 4-Bin Mailbox, Integrated Duplex

Paper Input Capacity, Standard: Up to

2750 pages 20 lb or 75 gsm bond

Paper Input Capacity, Maximum: Up to

2750 pages 20 lb or 75 gsm bond

Paper Output Capacity, Standard: Up to

950 pages 20 lb or 75 gsm bond

Paper Output Capacity, Maximum: Up to

950 pages 20 lb or 75 gsm bond

ADF Paper Input Capacity

Up to 150 pages 20 lb or 75 gsm bond

Finishing Option

Standard

Number of Paper Inputs, Standard

3

Number of Paper Inputs, Maximum

3

Media Types Supported

Refer to the Card Stock & Label Guide, Paper Labels, Integrated Labels, Dual Web Labels, Card Stock, Envelopes, Transparencies, Plain Paper

Media Sizes Supported

A6, Oficio, Universal, Statement, Folio, DL Envelope, B5 Envelope, A4, 7 3/4 Envelope, 10 Envelope, 9 Envelope, A5, C5 Envelope, Executive, JIS-B5, Legal, Letter

Standard Ports

Rear USB 2.0 Specification Hi-Speed Certified Port (Type A), USB 2.0 Specification Hi-Speed Certified (Type B), One Internal Card Slot, Gigabit Ethernet (10/100/1000), Front USB 2.0 Specification Hi-Speed Certified Port (Type A)

Optional Network Ports

Internal MarkNet N8350 802.11b/g/n Wireless

Optional Local Ports

Internal 1284-B Bidirectional Parallel, Internal RS-232C serial

Network Printing Methods

IPP 1.0, 1.1, 2.0 (Internet Printing Protocol), FTP, TFTP, ThinPrint, print integration, Telnet, Enhanced IP (Port 9400), LPR/LPD, Direct IP (Port 9100)

Network Protocol Support

UDP, TCP, AppleTalk™, TCP/IP IPv4, TCP/IP IPv6

Network Security

IPSec, SNMPv3, 802.1x Authentication: MD5, MSCHAPv2, LEAP, PEAP, TLS, TTLS

Printer Languages (Standard)

PDF 1.7 emulation, PostScript 3 Emulation, PCL 5e Emulation, PCL 6 Emulation, Personal Printer Data Stream (PPDS), Direct Image, Microsoft XPS (XML Paper Specification)

Reduce / Enlarge Range

25 - 400 %

Scan Area, Maximum

215.9 x 355.6 mm

Scan Area, Maximum

8.5 x 14.0 inches

Modem Speed

ITU T.30, V.34 Half-Duplex, 33.6 Kbps

Laser Cartridge Yields

45,000*-page Extra High Yield Cartridge, 25,000*-page High Yield Cartridge, 6,000*-page Cartridge

Cartridge(s) Shipping with Product

25,000*-page High Yield Return Program Toner Cartridge

Replacement Cartridges:

Product functions only with replacement cartridges designed for use in a specific geographical region. See www.lexmark.com/regions for more details.

Packaged Size (mm - H x W x D)

1567 x 870 x 762 mm

Size (mm - H x W x D)

1374 x 663 x 734 mm

Packaged Size (in. - H x W x D)

61.69 x 34.25 x 30.0 in.

Size (in. - H x W x D)

54.1 x 26.1 x 28.9 in.

Weight (kg)

98.9 kg

Weight (lb.)

218 lb.

Noise Level, Idle

30 dBA

Print Noise Level, Operating

55 dBA

Copy Noise Level, Operating

55 dBA

Scan Noise Level, Operating

57 dBA

Product Warranty

1-Year Onsite Service, Next Business Day

Product Certifications

Energy Star V1.2, Blue Angel (RAL-UZ-122), CAN/CSA-C22.2 60950-1, CSA E60825-1, ICES-003 Class A, BSMI Class A, CNS 13438, VCCI Class A, US FDA, FCC Class A, UL 60950-1, IEC 320-1, EN/IEC 60320-1, CE Class A, CB IEC 60950-1, EN 62311, EN 60950-1, EN/IEC 61000-3, EN 55022 Class A, EN 55024, EN/IEC 60825-1, GS (TUV), SEMKO, UL AR, CS, TÜV Rh, SMA C-lick mark Class A, CCC Class A, CISPIR 22 Class A, EK Mark, N Mark, ECMA-370, TED

Maximum Monthly Duty Cycle

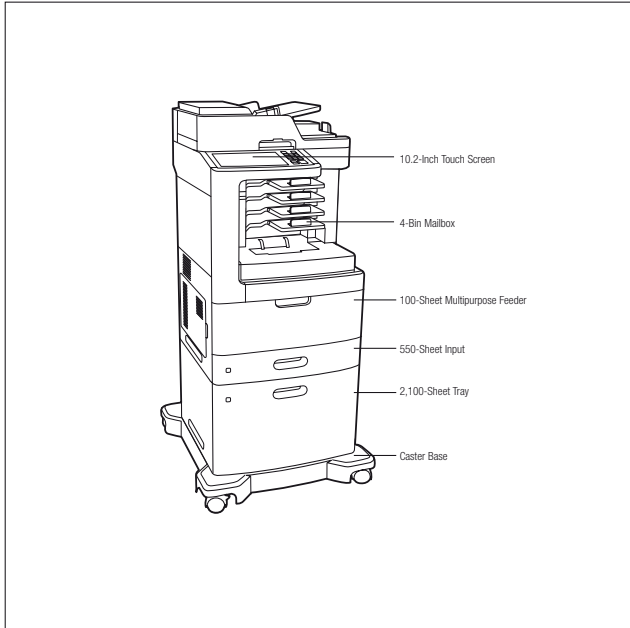
Up to 300,000 pages per month

Recommended Monthly Page Volume

5000 - 35,000 pages

Specified Operating Environment

Altitude: 0 - 2896 Meters (9,500 Feet), Humidity: 8 to 90% Relative Humidity, Temperature: 16 to 32°C (60 to 90°F)



Standard
 Optional

| | |
|---------------|--|
| Part # | Model |
| 24T7418 | Lexmark MX810dxe |
| Part # | Laser Toner/Print Cartridge |
| 62D1X00 | 621X Extra High Yield Return Program Toner Cartridge |
| 62D1H00 | 621H High Yield Return Program Toner Cartridge |
| 62D1000 | 621 Return Program Toner Cartridge |
| 52D0Z00 | 520Z Black Return Program Imaging Unit |
| 62D0XA0 | 620XA Extra High Yield Toner Cartridge |
| 52D0ZA0 | 520ZA Black Imaging Unit |
| Part # | Memory Options |
| 57X9016 | 1024MbX32 DDR3-DRAM |
| 57X9012 | 2048MbX32 DDR3-DRAM |
| 57X9101 | 256MB Flash Memory Card |
| 57X9115 | Japanese Font Card |
| 57X9114 | Korean Font Card |
| 57X9112 | Simplified Chinese Font Card |
| 57X9110 | Traditional Chinese Font Card |
| Part # | Application Solutions |
| 24T7352 | Card for IPDS |
| 24T7351 | Forms and Bar Code Card |
| 24T7353 | Card for PRESCRIBE Emulation |
| Part # | Connectivity |
| 1021294 | USB Cable (2-meter) |
| 27X0225 | MarkNet N8350 802.11b/g/n Wireless Print Server |
| 14F0000 | Parallel 1284-B Interface Card |
| 1021231 | Parallel Cable (10-foot) |
| 14F0100 | RS-232C Serial Interface Card |
| Part # | Extended Warranties |
| 2355164 | MX810 2-Years Total (1+1) Onsite Service |
| 2355165 | MX810 3-Years Total (1+2) Onsite Service |
| 2355166 | MX810 4-Years Total (1+3) Onsite Service |
| 2355167 | MX810 5-Years Total (1+4) Onsite Service |
| 2355168 | MX810 1-Year Onsite Service Renewal |
| Part # | User Replaceable Parts |
| 40X8420 | Return Program Fuser Maintenance kit, 110-120V Type 00, Letter |
| 40X7706 | Roller Maintenance Kit |
| 40X8431 | ADF Maintenance Kit |
| 40X7743 | Return Program Fuser, 110-120V Type 00, Letter |
| 40X8425 | Fuser Maintenance kit, 110-120V, Type 05, Letter |
| 40X8016 | Fuser, 110-120V Type 05, Letter |



Lexmark MX811de

Meet our high performance star. The Lexmark MX811de saves time with blazing-fast processor, print, copy and scan speeds—and gives you the edge with solutions and 2-sided printing.

Print Technology

Monochrome Laser

Function

Printing, Network Scanning, Faxing, Copying, Color Scanning

Display

Lexmark e-Task 10.2-inch (25.9 cm) color touch screen

Print Speed (Letter, Black)

Up to 63 ppm

Print Speed (Letter, Black) Duplex

Up to 38 ppm

Time to First Page (Black)

As fast as 4.4 seconds

Copy Speed (Letter, Black)

Up to 63 ppm

Time to First Copy (Black)

As fast as 4.2 seconds

Print Resolution, Black

600 x 600 dpi, 1200 Image Quality, 2400 Image Quality, 1200 x 1200 dpi

ADF Scan

DADF (Single Pass Duplex)

Optical Scanning Resolution

600 X 600 ppi (black), 300 X 300 ppi (color)

Processor

Dual Core, 800 MHz

Memory, Standard

1024 MB

Memory, Maximum

3072 MB

Hard Disk

Included in configuration

Expandable Memory Options

Yes

Apple Macintosh Operating Systems Supported

Mac OS X (10.5, 10.6, 10.7, 10.8)

Linux Operating Systems Supported

Fedora 14, 15, 16, 17, Red Hat Enterprise Linux WS 4.0, 5.0, 6.0, Linpus Linux Desktop 9.6, SUSE Linux Enterprise Server 10, 11, SUSE Linux Enterprise Desktop 10, 11, Red Flag Linux Desktop 6.0, Debian GNU/Linux 5.0, 6.0, Ubuntu 11.04, 11.10, 12.04, Mint 9, 10, 11, 12, PCLinuxOS 2011.9, openSUSE 11.3, 11.4, 12.1

Microsoft Windows Operating Systems Supported

Server 2012, 8 x64, Server 2008 R2, Server 2008 R2 running Terminal Services, 8, Windows 7 x64, Server 2008 x64 running Terminal Services, Server 2008 x64, XP, Server 2003, XP x64, Server 2003 running Terminal Services, Server 2003 x64, Server 2003 x64 running Terminal Services, Vista, Vista x64, Server 2008, Server 2008 running Terminal Services, Windows 7

Novell Operating Systems Supported

Open Enterprise Server on SUSE Linux Enterprise Server, NetWare 5.1 (SP 6+), 6.0 (SP 3+) with Novell Distributed Print Services (NDPS), NetWare 6.5 Open Enterprise Server

UNIX Operating Systems Supported

IBM AIX 5.3, 6.1, 7.1, HP-UX 11.11, 11.23, 11.31, Sun Solaris SPARC 9, 10, Sun Solaris x86 10, 11

Included Paper Handling

550-Sheet Tray, 550-Sheet Input, 100-Sheet Multipurpose Feeder, 550-Sheet Output Bin, Offset Stacker, Integrated Duplex

Optional Paper Handling

550-Sheet Tray

Paper Input Capacity, Standard: Up to

1200 pages 20 lb or 75 gsm bond

Paper Input Capacity, Maximum: Up to

2300 pages 20 lb or 75 gsm bond

Paper Output Capacity, Standard: Up to

1050 pages 20 lb or 75 gsm bond

Paper Output Capacity, Maximum: Up to

1050 pages 20 lb or 75 gsm bond

ADF Paper Input Capacity

Up to 150 pages 20 lb or 75 gsm bond

Finishing Option

Standard

Number of Paper Inputs, Standard

3

Number of Paper Inputs, Maximum

5

Media Types Supported

Refer to the Card Stock & Label Guide, Paper Labels, Integrated Labels, Dual Web Labels, Card Stock, Envelopes, Transparencies, Plain Paper

Media Sizes Supported

A6, Oficio, Universal, Statement, Folio, DL Envelope, B5 Envelope, A4, 7 3/4 Envelope, 10 Envelope, 9 Envelope, A5, C5 Envelope, Executive, JIS-B5, Legal, Letter

Standard Ports

Rear USB 2.0 Specification Hi-Speed Certified Port (Type A), USB 2.0 Specification Hi-Speed Certified (Type B), One Internal Card Slot, Gigabit Ethernet (10/100/1000), Front USB 2.0 Specification Hi-Speed Certified Port (Type A)

Optional Network Ports

Internal MarkNet N8350 802.11b/g/n Wireless

Optional Local Ports

Internal 1284-B Bidirectional Parallel, Internal RS-232C serial

Network Printing Methods

IPP 1.0, 1.1, 2.0 (Internet Printing Protocol), FTP, TFTP, ThinPrint, print integration, Telnet, Enhanced IP (Port 9400), LPR/LPD, Direct IP (Port 9100)

Network Protocol Support

UDP, TCP, AppleTalk™, TCP/IP IPv4, TCP/IP IPv6

Network Security

IPSec, SNMPv3, 802.1x Authentication: MD5, MSCHAPv2, LEAP, PEAP, TLS, TTLS

Printer Languages (Standard)

PDF 1.7 emulation, PostScript 3 Emulation, PCL 5e Emulation, PCL 6 Emulation, Personal Printer Data Stream (PPDS), Direct Image, Microsoft XPS (XML Paper Specification)

Reduce / Enlarge Range

25 - 400 %

Scan Area, Maximum

215.9 x 355.6 mm

Scan Area, Maximum

8.5 x 14.0 inches

Modem Speed

ITU T.30, V.34 Half-Duplex, 33.6 Kbps

Laser Cartridge Yields

45,000*-page Extra High Yield Cartridge, 25,000*-page

High Yield Cartridge, 6,000*-page Cartridge

Cartridge(s) Shipping with Product

25,000*-page High Yield Return Program Toner Cartridge

Replacement Cartridges:

Product functions only with replacement cartridges designed for use in a specific geographical region. See www.lexmark.com/regions for more details.

Packaged Size (mm - H x W x D)

1327 x 870 x 762 mm

Size (mm - H x W x D)

1133 x 663 x 734 mm

Packaged Size (in. - H x W x D)

52.24 x 34.25 x 30.0 in.

Size (in. - H x W x D)

44.6 x 26.1 x 28.9 in.

Weight (kg)

85.1 kg

Weight (lb.)

187.7 lb.

Noise Level, Idle

31 dBA

Print Noise Level, Operating

55 dBA

Copy Noise Level, Operating

56 dBA

Scan Noise Level, Operating

57 dBA

Product Warranty

1-Year Onsite Service, Next Business Day

Product Certifications

Energy Star V1.2, Blue Angel (RAL-UZ-122), CAN/CSA-C22.2 60950-1, CSA E60825-1, ICES-003 Class A, BSMI Class A, CIS 13438, VCCI Class A, US FDA, FCC Class A, UL 60950-1, IEC 320-1, EN/IEC 60320-1, CE Class A, CB IEC 60950-1, EN 62311, EN 60950-1, EN/IEC 61000-3, EN 55022 Class A, EN 55024, EN/IEC 60825-1, GS (TÜV), SEMKO, UL AR, GS, TÜV Rh, SMA C-tick mark Class A, CCC Class A, CISPIR 22 Class A, EK Mark, N Mark, ECMA-370, TED

Maximum Monthly Duty Cycle

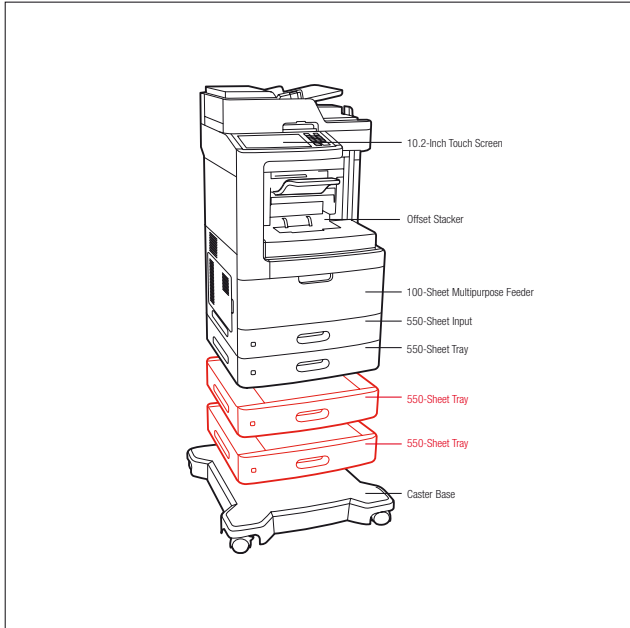
Up to 300000 pages per month

Recommended Monthly Page Volume

5000 - 35000 pages

Specified Operating Environment

Altitude: 0 - 2896 Meters (9,500 Feet), Humidity: 8 to 80% Relative Humidity, Temperature: 16 to 32°C (60 to 90°F)



Standard
 Optional

| Part # | Model |
|---------|--|
| 24T7419 | Lexmark MX811de |
| Part # | Laser Toner/Print Cartridge |
| 62D1X00 | 621X Extra High Yield Return Program Toner Cartridge |
| 62D1H00 | 621H High Yield Return Program Toner Cartridge |
| 62D1000 | 621 Return Program Toner Cartridge |
| 52D0Z00 | 520Z Black Return Program Imaging Unit |
| 62DOXA0 | 620XA Extra High Yield Toner Cartridge |
| 52DOZA0 | 520ZA Black Imaging Unit |
| Part # | Paper Handling |
| 24T7300 | 550-Sheet Tray |
| Part # | Memory Options |
| 57X9016 | 1024MBx32 DDR3-DRAM |
| 57X9012 | 2048MBx32 DDR3-DRAM |
| 57X9101 | 256MB Flash Memory Card |
| 57X9115 | Japanese Font Card |
| 57X9114 | Korean Font Card |
| 57X9112 | Simplified Chinese Font Card |
| 57X9110 | Traditional Chinese Font Card |
| Part # | Application Solutions |
| 24T7352 | Card for IPDS |
| 24T7351 | Forms and Bar Code Card |
| 24T7353 | Card for PRESCRIBE Emulation |
| Part # | Connectivity |
| 1021294 | USB Cable (2-meter) |
| 27X0225 | MarkNet N8350 802.11b/g/n Wireless Print Server |
| 14F0000 | Parallel 1284-B Interface Card |
| 1021231 | Parallel Cable (10-foot) |
| 14F0100 | RS-232C Serial Interface Card |
| Part # | Extended Warranties |
| 2355192 | MX811 2-Years Total (1+1) Onsite Service |
| 2355193 | MX811 3-Years Total (1+2) Onsite Service |
| 2355194 | MX811 4-Years Total (1+3) Onsite Service |
| 2355195 | MX811 5-Years Total (1+4) Onsite Service |
| 2355196 | MX811 1-Year Onsite Service Renewal |
| Part # | User Replaceable Parts |
| 40X8420 | Return Program Fuser Maintenance kit, 110-120V Type 00, Letter |
| 40X7706 | Roller Maintenance Kit |
| 40X8431 | ADF Maintenance Kit |
| 40X7743 | Return Program Fuser, 110-120V Type 00, Letter |
| 40X8425 | Fuser Maintenance kit, 110-120V, Type 05, Letter |
| 40X8016 | Fuser, 110-120V Type 05, Letter |



Lexmark MX811dte

Meet our high performance star. The Lexmark MX811dte saves time with blazing-fast processor, print, copy and scan speeds—and gives you the edge with solutions, an extra paper tray and 2-sided printing.

Print Technology

Monochrome Laser

Function

Printing, Network Scanning, Faxing, Copying, Color Scanning

Display

Lexmark e-Task 10.2-inch (25.9 cm) color touch screen

Print Speed (Letter, Black)

Up to 63 ppm

Print Speed (Letter, Black) Duplex

Up to 38 ppm

Time to First Page (Black)

As fast as 4.4 seconds

Copy Speed (Letter, Black)

Up to 63 ppm

Time to First Copy (Black)

As fast as 4.2 seconds

Print Resolution, Black

600 x 600 dpi, 1200 Image Quality, 2400 Image Quality, 1200 x 1200 dpi

ADF Scan

DADF (Single Pass Duplex)

Optical Scanning Resolution

600 X 600 ppi (black), 300 X 300 ppi (color)

Processor

Dual Core, 800 MHz

Memory, Standard

1024 MB

Memory, Maximum

3072 MB

Hard Disk

Included in configuration

Expandable Memory Options

Yes

Apple Macintosh Operating Systems Supported

Mac OS X (10.5, 10.6, 10.7, 10.8)

Linux Operating Systems Supported

Fedora 14, 15, 16, 17, Red Hat Enterprise Linux WS 4.0, 5.0, 6.0, Linpus Linux Desktop 9.6, SUSE Linux Enterprise Server 10, 11, SUSE Linux Enterprise Desktop 10, 11, Red Flag Linux Desktop 6.0, Debian GNU/Linux 5.0, 6.0, Ubuntu 11.04, 11.10, 12.04, Mint 9, 10, 11, 12, PCLinuxOS 2011.9, openSUSE 11.3, 11.4, 12.1

Microsoft Windows Operating Systems Supported

Server 2012, 8 x64, Server 2008 R2, Server 2008 R2 running Terminal Services, 8, Windows 7 x64, Server 2008 x64 running Terminal Services, Server 2008 x64, XP, Server 2003, XP x64, Server 2003 running Terminal Services, Server 2003 x64, Server 2003 x64 running Terminal Services, Vista, Vista x64, Server 2008, Server 2008 running Terminal Services, Windows 7

Novell Operating Systems Supported

Open Enterprise Server on SUSE Linux Enterprise Server, NetWare 5.1 (SP 6+), 6.0 (SP 3+) with Novell Distributed Print Services (NDPS), NetWare 6.5 Open Enterprise Server

UNIX Operating Systems Supported

IBM AIX 5.3, 6.1, 7.1, HP-UX 11.11, 11.23, 11.31, Sun Solaris SPARC 9, 10, Sun Solaris x86 10, 11

Included Paper Handling

2 x 550-Sheet Tray, Integrated Duplex, 100-Sheet Multipurpose Feeder, 550-Sheet Input, 550-Sheet Output Bin, Offset Stacker

Optional Paper Handling

550-Sheet Tray

Paper Input Capacity, Standard: Up to

1750 pages 20 lb or 75 gsm bond

Paper Input Capacity, Maximum: Up to

2300 pages 20 lb or 75 gsm bond

Paper Output Capacity, Standard: Up to

1050 pages 20 lb or 75 gsm bond

Paper Output Capacity, Maximum: Up to

1050 pages 20 lb or 75 gsm bond

ADF Paper Input Capacity

Up to 150 pages 20 lb or 75 gsm bond

Finishing Option

Standard

Number of Paper Inputs, Standard

4

Number of Paper Inputs, Maximum

5

Media Types Supported

Refer to the Card Stock & Label Guide, Paper Labels, Integrated Labels, Dual Web Labels, Card Stock, Envelopes, Transparencies, Plain Paper

Media Sizes Supported

A6, Oficio, Universal, Statement, Folio, DL Envelope, B5 Envelope, A4, 7 3/4 Envelope, 10 Envelope, 9 Envelope, A5, C5 Envelope, Executive, JIS-B5, Legal, Letter

Standard Ports

Rear USB 2.0 Specification Hi-Speed Certified Port (Type A), USB 2.0 Specification Hi-Speed Certified (Type B), One Internal Card Slot, Gigabit Ethernet (10/100/1000), Front USB 2.0 Specification Hi-Speed Certified Port (Type A)

Optional Network Ports

Internal MarkNet N8350 802.11b/g/n Wireless

Optional Local Ports

Internal 1284-B Bidirectional Parallel, Internal RS-232C serial

Network Printing Methods

IPP 1.0, 1.1, 2.0 (Internet Printing Protocol), FTP, TFTP, ThinPrint .print integration, Telnet, Enhanced IP (Port 9400), LPR/LPD, Direct IP (Port 9100)

Network Protocol Support

UDP, TCP, AppleTalk™, TCP/IP IPv4, TCP/IP IPv6

Network Security

IPSec, SNMPv3, 802.1x Authentication: MD5, MSCHAPv2, LEAP, PEAP, TLS, TTLS

Printer Languages (Standard)

PDF 1.7 emulation, PostScript 3 Emulation, PCL 5e Emulation, PCL 6 Emulation, Personal Printer Data Stream (PPDS), Direct Image, Microsoft XPS (XML Paper Specification)

Reduce / Enlarge Range

25 - 400 %

Scan Area, Maximum

215.9 x 355.6 mm

Scan Area, Maximum

8.5 x 14.0 inches

Modem Speed

ITU T.30, V.34 Half-Duplex, 33.6 Kbps

Laser Cartridge Yields

45,000*-page Extra High Yield Cartridge, 25,000*-page High Yield Cartridge, 6,000*-page Cartridge

Cartridge(s) Shipping with Product

25,000*-page High Yield Return Program Toner Cartridge

Replacement Cartridges:

Product functions only with replacement cartridges designed for use in a specific geographical region. See www.lexmark.com/regions for more details.

Packaged Size (mm - H x W x D)

1442 x 870 x 762 mm

Size (mm - H x W x D)

1243 x 663 x 734 mm

Packaged Size (in. - H x W x D)

56.77 x 34.25 x 30.0 in.

Size (in. - H x W x D)

48.9 x 26.1 x 28.9 in.

Weight (kg)

92.1 kg

Weight (lb.)

203.1 lb.

Noise Level, Idle

31 dBA

Print Noise Level, Operating

55 dBA

Copy Noise Level, Operating

56 dBA

Scan Noise Level, Operating

57 dBA

Product Warranty

1-Year Onsite Service, Next Business Day

Product Certifications

Energy Star V1.2, Blue Angel (RAL-UZ-122), CAN/CSA-C22.2 60950-1, CSA E60825-1, ICES-003 Class A, BSMI Class A, CIS 13438, VCCI Class A, US FDA, FCC Class A, UL 60950-1, IEC 320-1, EN/IEC 60320-1, CE Class A, CB IEC 60950-1, EN 62311, EN 60950-1, EN/IEC 61000-3, EN 55022 Class A, EN 55024, EN/IEC 60825-1, GS (TÜV), SEMKO, UL AR, GS, TÜV Rh, SMA C-tick mark Class A, CCC Class A, CISPIR 22 Class A, EK Mark, N Mark, ECMA-370, TED

Maximum Monthly Duty Cycle

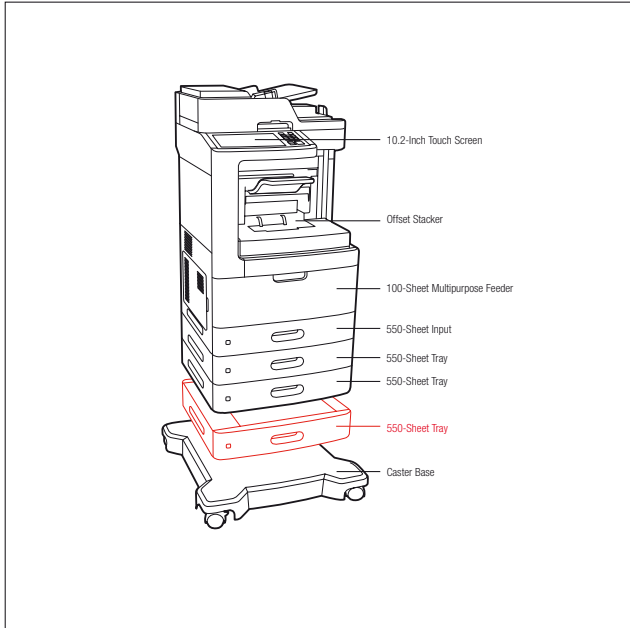
Up to 300000 pages per month

Recommended Monthly Page Volume

5000 - 35000 pages

Specified Operating Environment

Altitude: 0 - 2896 Meters (9,500 Feet), Humidity: 8 to 80% Relative Humidity, Temperature: 16 to 32°C (60 to 90°F)



Standard
 Optional

| Part # | Model |
|---------|--|
| 24T7423 | Lexmark MX811 dte |
| Part # | Laser Toner/Print Cartridge |
| 62D1X00 | 621X Extra High Yield Return Program Toner Cartridge |
| 62D1H00 | 621H High Yield Return Program Toner Cartridge |
| 62D1000 | 621 Return Program Toner Cartridge |
| 52D0Z00 | 520Z Black Return Program Imaging Unit |
| 62DOXA0 | 620XA Extra High Yield Toner Cartridge |
| 52DOZA0 | 520ZA Black Imaging Unit |
| Part # | Paper Handling |
| 24T7300 | 550-Sheet Tray |
| Part # | Memory Options |
| 57X9016 | 1024MBx32 DDR3-DRAM |
| 57X9012 | 2048MBx32 DDR3-DRAM |
| 57X9101 | 256MB Flash Memory Card |
| 57X9115 | Japanese Font Card |
| 57X9114 | Korean Font Card |
| 57X9112 | Simplified Chinese Font Card |
| 57X9110 | Traditional Chinese Font Card |
| Part # | Application Solutions |
| 24T7352 | Card for IPDS |
| 24T7351 | Forms and Bar Code Card |
| 24T7353 | Card for PRESCRIBE Emulation |
| Part # | Connectivity |
| 1021294 | USB Cable (2-meter) |
| 27X0225 | MarkNet N8350 802.11b/g/n Wireless Print Server |
| 14F0000 | Parallel 1284-B Interface Card |
| 1021231 | Parallel Cable (10-foot) |
| 14F0100 | RS-232C Serial Interface Card |
| Part # | Extended Warranties |
| 2355192 | MX811 2-Years Total (1+1) Onsite Service |
| 2355193 | MX811 3-Years Total (1+2) Onsite Service |
| 2355194 | MX811 4-Years Total (1+3) Onsite Service |
| 2355195 | MX811 5-Years Total (1+4) Onsite Service |
| 2355196 | MX811 1-Year Onsite Service Renewal |
| Part # | User Replaceable Parts |
| 40X8420 | Return Program Fuser Maintenance kit, 110-120V Type 00, Letter |
| 40X7706 | Roller Maintenance Kit |
| 40X8431 | ADF Maintenance Kit |
| 40X7743 | Return Program Fuser, 110-120V Type 00, Letter |
| 40X8425 | Fuser Maintenance kit, 110-120V, Type 05, Letter |
| 40X8016 | Fuser, 110-120V Type 05, Letter |



Lexmark MX811dfe

Meet our high performance star. The Lexmark MX811dfe saves time with blazing-fast processor, print, copy and scan speeds—and gives you the edge with solutions, a staple finisher and 2-sided printing.

Print Technology

Monochrome Laser

Function

Printing, Network Scanning, Faxing, Copying, Color Scanning

Display

Lexmark e-Task 10.2-inch (25.9 cm) color touch screen

Print Speed (Letter, Black)

Up to 63 ppm

Print Speed (Letter, Black) Duplex

Up to 38 ppm

Time to First Page (Black)

As fast as 4.4 seconds

Copy Speed (Letter, Black)

Up to 63 cpm

Time to First Copy (Black)

As fast as 4.2 seconds

Print Resolution, Black

600 x 600 dpi, 1200 Image Quality, 2400 Image Quality, 1200 x 1200 dpi

ADF Scan

DADF (Single Pass Duplex)

Optical Scanning Resolution

600 X 600 ppi (black), 300 X 300 ppi (color)

Processor

Dual Core, 800 MHz

Memory, Standard

1024 MB

Memory, Maximum

3072 MB

Hard Disk

Included in configuration

Expandable Memory Options

Yes

Apple Macintosh Operating Systems Supported

Mac OS X (10.5, 10.6, 10.7, 10.8)

Linux Operating Systems Supported

Fedora 14, 15, 16, 17, Red Hat Enterprise Linux WS 4.0, 5.0, 6.0, Linux Linux Desktop 9.6, SUSE Linux Enterprise Server 10, 11, SUSE Linux Enterprise Desktop 10, 11, Red Hat Linux Desktop 6.0, Debian GNU/Linux 5.0, 6.0, Ubuntu 11.04, 11.10, 12.04, Mint 9, 10, 11, 12, PCLinuxOS 2011.9, openSUSE 11.3, 11.4, 12.1

Microsoft Windows Operating Systems Supported

Server 2012, 8 x64, Server 2008 R2, Server 2008 R2 running Terminal Services, 8, Windows 7 x64, Server 2008 x64 running Terminal Services, Server 2008 x64, XP, Server 2003, XP x64, Server 2003 running Terminal Services, Server 2003 x64, Server 2003 x64 running Terminal Services, Vista, Vista x64, Server 2008, Server 2008 running Terminal Services, Windows 7

Novell Operating Systems Supported

Open Enterprise Server on SUSE Linux Enterprise Server, NetWare 5.1 (SP 6+), 6.0 (SP 3+) with Novell Distributed Print Services (NDPS), NetWare 6.5 Open Enterprise Server

UNIX Operating Systems Supported

IBM AIX 5.3, 6.1, 7.1, HP-UX 11.11, 11.23, 11.31, Sun Solaris SPARC 9, 10, Sun Solaris x86 10, 11

Included Paper Handling

550-Sheet Tray, 550-Sheet Output Bin, 100-Sheet Multipurpose Feeder, Staple Finisher, Integrated Duplex, 550-Sheet Input

Optional Paper Handling

550-Sheet Tray

Paper Input Capacity, Standard: Up to

1200 pages 20 lb or 75 gsm bond

Paper Input Capacity, Maximum: Up to

2300 pages 20 lb or 75 gsm bond

Paper Output Capacity, Standard: Up to

1050 pages 20 lb or 75 gsm bond

Paper Output Capacity, Maximum: Up to

1050 pages 20 lb or 75 gsm bond

ADF Paper Input Capacity

Up to 150 pages 20 lb or 75 gsm bond

Finishing Option

Standard

Number of Paper Inputs, Standard

3

Number of Paper Inputs, Maximum

5

Media Types Supported

Refer to the Card Stock & Label Guide, Paper Labels, Integrated Labels, Dual Web Labels, Card Stock, Envelopes, Transparencies, Plain Paper

Media Sizes Supported

A6, Oficio, Universal, Statement, Folio, DL Envelope, B5 Envelope, A4, 7 3/4 Envelope, 10 Envelope, 9 Envelope, A5, C5 Envelope, Executive, JIS-B5, Legal, Letter

Standard Ports

Rear USB 2.0 Specification Hi-Speed Certified Port (Type A), USB 2.0 Specification Hi-Speed Certified (Type B), One Internal Card Slot, Gigabit Ethernet (10/100/1000), Front USB 2.0 Specification Hi-Speed Certified Port (Type A)

Optional Network Ports

Internal MarkNet N8350 802.11b/g/n Wireless

Optional Local Ports

Internal 1284-B Bidirectional Parallel, Internal RS-232C serial

Network Printing Methods

IPP 1.0, 1.1, 2.0 (Internet Printing Protocol), FTP, TFTP, ThinPrint .print integration, Telnet, Enhanced IP (Port 9400), LPR/LPD, Direct IP (Port 9100)

Network Protocol Support

UDP, TCP, AppleTalk™, TCP/IP IPv4, TCP/IP IPv6

Network Security

IPSec, SNMPv3, 802.1x Authentication: MD5, MSCHAPv2, LEAP, PEAP, TLS, TTLS

Printer Languages (Standard)

PDF 1.7 emulation, PostScript 3 Emulation, PCL 5e Emulation, PCL 6 Emulation, Personal Printer Data Stream (PPDS), Direct Image, Microsoft XPS (XML Paper Specification)

Reduce / Enlarge Range

25 - 400 %

Scan Area, Maximum

215.9 x 355.6 mm

Scan Area, Maximum

8.5 x 14.0 inches

Modem Speed

ITU T.30, V.34 Half-Duplex, 33.6 Kbps

Laser Cartridge Yields

45,000*-page Extra High Yield Cartridge, 25,000*-page High Yield Cartridge, 6,000*-page Cartridge

Cartridge(s) Shipping with Product

25,000*-page High Yield Return Program Toner Cartridge

Replacement Cartridges:

Product functions only with replacement cartridges designed for use in a specific geographical region. See www.lexmark.com/regions for more details.

Packaged Size (mm - H x W x D)

1327 x 870 x 762 mm

Size (mm - H x W x D)

1133 x 663 x 734 mm

Packaged Size (in. - H x W x D)

52.24 x 34.25 x 30.0 in.

Size (in. - H x W x D)

44.6 x 26.1 x 28.9 in.

Weight (kg)

87.6 kg

Weight (lb.)

193.2 lb.

Noise Level, Idle

31 dBA

Print Noise Level, Operating

55 dBA

Copy Noise Level, Operating

56 dBA

Scan Noise Level, Operating

57 dBA

Product Warranty

1-Year Onsite Service, Next Business Day

Product Certifications

Energy Star V1.2, Blue Angel (RAL-UZ-122), CAN/CSA-C22.2 60950-1, CSA E60825-1, ICES-003 Class A, BSMI Class A, CIS 13438, VCCI Class A, US FDA, FCC Class A, UL 60950-1, IEC 320-1, EN/IEC 60320-1, CE Class A, CB IEC 60950-1, EN 62311, EN 60950-1, EN/IEC 61000-3, EN 55022 Class A, EN 55024, EN/IEC 60825-1, GS (TÜV), SEMKO, UL AR, CS, TÜV Rh, SMA C-tick mark Class A, CCC Class A, CISPIR 22 Class A, EK Mark, N Mark, ECMA-370, TED

Maximum Monthly Duty Cycle

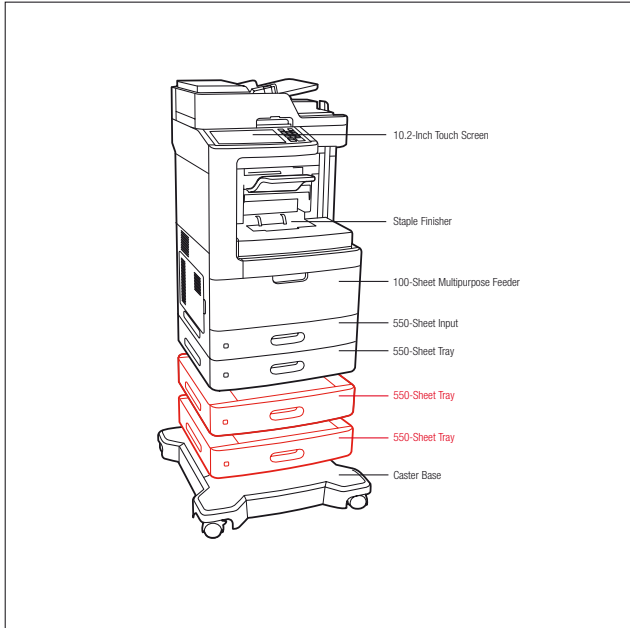
Up to 300000 pages per month

Recommended Monthly Page Volume

5000 - 35000 pages

Specified Operating Environment

Altitude: 0 - 2896 Meters (9,500 Feet), Humidity: 8 to 80% Relative Humidity, Temperature: 16 to 32°C (60 to 90°F)



Standard
 Optional

| | |
|---------------|--|
| Part # | Model |
| 24T7420 | Lexmark MX811 dfe |
| Part # | Laser Toner/Print Cartridge |
| 62D1X00 | 621X Extra High Yield Return Program Toner Cartridge |
| 62D1H00 | 621H High Yield Return Program Toner Cartridge |
| 62D1000 | 621 Return Program Toner Cartridge |
| 52D0Z00 | 520Z Black Return Program Imaging Unit |
| 62DOXA0 | 620XA Extra High Yield Toner Cartridge |
| 52DOZA0 | 520ZA Black Imaging Unit |
| 25A0013 | Staple Cartridges (3 pack) |
| Part # | Paper Handling |
| 24T7300 | 550-Sheet Tray |
| Part # | Memory Options |
| 57X9016 | 1024MBx32 DDR3-DRAM |
| 57X9012 | 2048MBx32 DDR3-DRAM |
| 57X9101 | 256MB Flash Memory Card |
| 57X9115 | Japanese Font Card |
| 57X9114 | Korean Font Card |
| 57X9112 | Simplified Chinese Font Card |
| 57X9110 | Traditional Chinese Font Card |
| Part # | Application Solutions |
| 24T7352 | Card for IPDS |
| 24T7351 | Forms and Bar Code Card |
| 24T7353 | Card for PRESCRIBE Emulation |
| Part # | Connectivity |
| 1021294 | USB Cable (2-meter) |
| 27X0225 | MarkNet N8350 802.11b/g/n Wireless Print Server |
| 14F0000 | Parallel 1284-B Interface Card |
| 1021231 | Parallel Cable (10-foot) |
| 14F0100 | RS-232C Serial Interface Card |
| Part # | Extended Warranties |
| 2355192 | MX811 2-Years Total (1+1) Onsite Service |
| 2355193 | MX811 3-Years Total (1+2) Onsite Service |
| 2355194 | MX811 4-Years Total (1+3) Onsite Service |
| 2355195 | MX811 5-Years Total (1+4) Onsite Service |
| 2355196 | MX811 1-Year Onsite Service Renewal |
| Part # | User Replaceable Parts |
| 40X8420 | Return Program Fuser Maintenance kit, 110-120V Type 00, Letter |
| 40X7706 | Roller Maintenance Kit |
| 40X8431 | ADF Maintenance Kit |
| 40X7743 | Return Program Fuser, 110-120V Type 00, Letter |
| 40X8425 | Fuser Maintenance kit, 110-120V, Type 05, Letter |
| 40X8016 | Fuser, 110-120V Type 05, Letter |



Lexmark MX811dtfe

Meet our high performance star. The Lexmark MX811dtfe saves time with blazing-fast processor, print, copy and scan speeds—and gives you the edge with solutions, a staple finisher, an extra paper tray and 2-sided printing.

Print Technology

Monochrome Laser

Function

Printing, Network Scanning, Faxing, Copying, Color Scanning

Display

Lexmark e-Task 10.2-inch (25.9 cm) color touch screen

Print Speed (Letter, Black)

Up to 63 ppm

Print Speed (Letter, Black) Duplex

Up to 38 ppm

Time to First Page (Black)

As fast as 4.4 seconds

Copy Speed (Letter, Black)

Up to 63 cpm

Time to First Copy (Black)

As fast as 4.2 seconds

Print Resolution, Black

600 x 600 dpi, 1200 Image Quality, 2400 Image Quality, 1200 x 1200 dpi

ADF Scan

DADF (Single Pass Duplex)

Optical Scanning Resolution

600 X 600 ppi (black), 300 X 300 ppi (color)

Processor

Dual Core, 800 MHz

Memory, Standard

1024 MB

Memory, Maximum

3072 MB

Hard Disk

Included in configuration

Expandable Memory Options

Yes

Apple Macintosh Operating Systems Supported

Mac OS X (10.5, 10.6, 10.7, 10.8)

Linux Operating Systems Supported

Fedora 14, 15, 16, 17, Red Hat Enterprise Linux WS 4.0, 5.0, 6.0, Linux Desktop 9.6, SUSE Linux Enterprise Server 10, 11, SUSE Linux Enterprise Desktop 10, 11, Red Hat Linux Desktop 6.0, Debian GNU/Linux 5.0, 6.0, Ubuntu 11.04, 11.10, 12.04, Mint 9, 10, 11, 12, PCLinuxOS 2011.9, openSUSE 11.3, 11.4, 12.1

Microsoft Windows Operating Systems Supported

Server 2012, 8 x64, Server 2008 R2, Server 2008 R2 running Terminal Services, 8, Windows 7 x64, Server 2008 x64 running Terminal Services, Server 2008 x64, XP, Server 2003, XP x64, Server 2003 running Terminal Services, Server 2003 x64, Server 2003 x64 running Terminal Services, Vista, Vista x64, Server 2008, Server 2008 running Terminal Services, Windows 7

Novell Operating Systems Supported

Open Enterprise Server on SUSE Linux Enterprise Server, NetWare 5.1 (SP 6+), 6.0 (SP 3+) with Novell Distributed Print Services (NDPS), NetWare 6.5 Open Enterprise Server

UNIX Operating Systems Supported

IBM AIX 5.3, 6.1, 7.1, HP-UX 11.11, 11.23, 11.31, Sun Solaris SPARC 9, 10, Sun Solaris x86 10, 11

Included Paper Handling

2 x 550-Sheet Tray, Integrated Duplex, 100-Sheet Multipurpose Feeder, 550-Sheet Input, 550-Sheet Output Bin, Staple Finisher

Optional Paper Handling

550-Sheet Tray

Paper Input Capacity, Standard: Up to

1750 pages 20 lb or 75 gsm bond

Paper Input Capacity, Maximum: Up to

2300 pages 20 lb or 75 gsm bond

Paper Output Capacity, Standard: Up to

1050 pages 20 lb or 75 gsm bond

Paper Output Capacity, Maximum: Up to

1050 pages 20 lb or 75 gsm bond

ADF Paper Input Capacity

Up to 150 pages 20 lb or 75 gsm bond

Finishing Option

Standard

Number of Paper Inputs, Standard

4

Number of Paper Inputs, Maximum

5

Media Types Supported

Refer to the Card Stock & Label Guide, Paper Labels, Integrated Labels, Dual Web Labels, Card Stock, Envelopes, Transparencies, Plain Paper

Media Sizes Supported

A6, Oficio, Universal, Statement, Folio, DL Envelope, B5 Envelope, A4, 7 3/4 Envelope, 10 Envelope, 9 Envelope, A5, C5 Envelope, Executive, JIS-B5, Legal, Letter

Standard Ports

Rear USB 2.0 Specification Hi-Speed Certified Port (Type A), USB 2.0 Specification Hi-Speed Certified (Type B), One Internal Card Slot, Gigabit Ethernet (10/100/1000), Front USB 2.0 Specification Hi-Speed Certified Port (Type A)

Optional Network Ports

Internal MarkNet N8350 802.11b/g/n Wireless

Optional Local Ports

Internal 1284-B Bidirectional Parallel, Internal RS-232C serial

Network Printing Methods

IPP 1.0, 1.1, 2.0 (Internet Printing Protocol), FTP, TFTP, ThinPrint .print integration, Telnet, Enhanced IP (Port 9400), LPR/LPD, Direct IP (Port 9100)

Network Protocol Support

UDP, TCP, AppleTalk™, TCP/IP IPv4, TCP/IP IPv6

Network Security

IPSec, SNMPv3, 802.1x Authentication: MD5, MSCHAPv2, LEAP, PEAP, TLS, TTLS

Printer Languages (Standard)

PDF 1.7 emulation, PostScript 3 Emulation, PCL 5e Emulation, PCL 6 Emulation, Personal Printer Data Stream (PPDS), Direct Image, Microsoft XPS (XML Paper Specification)

Reduce / Enlarge Range

25 - 400 %

Scan Area, Maximum

215.9 x 355.6 mm

Scan Area, Maximum

8.5 x 14.0 inches

Modem Speed

ITU T.30, V.34 Half-Duplex, 33.6 Kbps

Laser Cartridge Yields

45,000*-page Extra High Yield Cartridge, 25,000*-page

High Yield Cartridge, 6,000*-page Cartridge

Cartridge(s) Shipping with Product

25,000*-page High Yield Return Program Toner Cartridge

Replacement Cartridges:

Product functions only with replacement cartridges designed for use in a specific geographical region. See www.lexmark.com/regions for more details.

Packaged Size (mm - H x W x D)

1442 x 870 x 762 mm

Size (mm - H x W x D)

1243 x 663 x 734 mm

Packaged Size (in. - H x W x D)

56.77 x 34.25 x 30.0 in.

Size (in. - H x W x D)

48.9 x 26.1 x 28.9 in.

Weight (kg)

94.6 kg

Weight (lb.)

208.6 lb.

Noise Level, Idle

31 dBA

Print Noise Level, Operating

55 dBA

Copy Noise Level, Operating

56 dBA

Scan Noise Level, Operating

57 dBA

Product Warranty

1-Year Onsite Service, Next Business Day

Product Certifications

Energy Star V1.2, Blue Angel (RAL-UZ-122), CAN/CSA-C22.2 60950-1, CSA E60825-1, ICES-003 Class A, BSMI Class A, CIS 13438, VCCI Class A, US FDA, FCC Class A, UL 60950-1, IEC 320-1, EN/IEC 60320-1, CE Class A, CB IEC 60950-1, EN 62311, EN 60950-1, EN/IEC 61000-3, EN 55022 Class A, EN 55024, EN/IEC 60825-1, GS (TÜV), SEMKO, UL AR, GS, TÜV Rh, SMA C-tick mark Class A, CCC Class A, CISPIR 22 Class A, EK Mark, N Mark, ECMA-370, TED

Maximum Monthly Duty Cycle

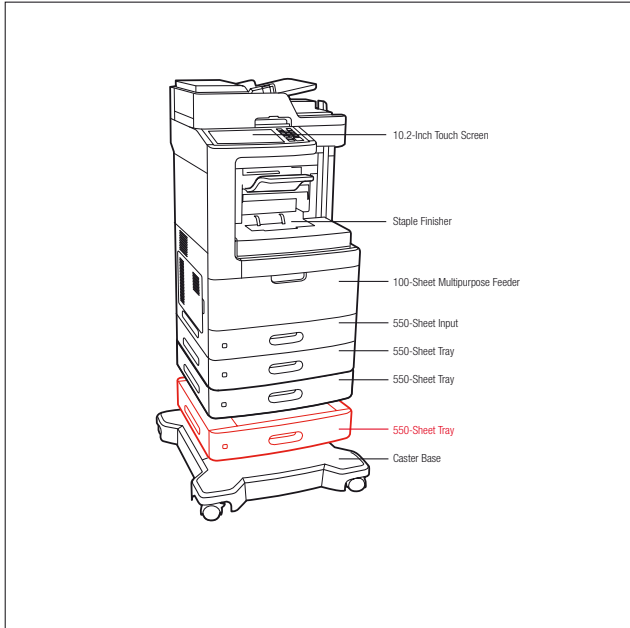
Up to 300000 pages per month

Recommended Monthly Page Volume

5000 - 35000 pages

Specified Operating Environment

Altitude: 0 - 2896 Meters (9,500 Feet), Humidity: 8 to 80% Relative Humidity, Temperature: 16 to 32°C (60 to 90°F)



Standard
 Optional

| | |
|---------------|--|
| Part # | Model |
| 24T7424 | Lexmark MX811dtfe |
| Part # | Laser Toner/Print Cartridge |
| 62D1X00 | 621X Extra High Yield Return Program Toner Cartridge |
| 62D1H00 | 621H High Yield Return Program Toner Cartridge |
| 62D1000 | 621 Return Program Toner Cartridge |
| 52D0Z00 | 520Z Black Return Program Imaging Unit |
| 62D0XA0 | 620XA Extra High Yield Toner Cartridge |
| 52D0ZA0 | 520ZA Black Imaging Unit |
| 25A0013 | Staple Cartridges (3 pack) |
| Part # | Paper Handling |
| 24T7300 | 550-Sheet Tray |
| Part # | Memory Options |
| 57X9016 | 1024MBx32 DDR3-DRAM |
| 57X9012 | 2048MBx32 DDR3-DRAM |
| 57X9101 | 256MB Flash Memory Card |
| 57X9115 | Japanese Font Card |
| 57X9114 | Korean Font Card |
| 57X9112 | Simplified Chinese Font Card |
| 57X9110 | Traditional Chinese Font Card |
| Part # | Application Solutions |
| 24T7352 | Card for IPDS |
| 24T7351 | Forms and Bar Code Card |
| 24T7353 | Card for PRESCRIBE Emulation |
| Part # | Connectivity |
| 1021294 | USB Cable (2-meter) |
| 27X0225 | MarkNet N8350 802.11b/g/n Wireless Print Server |
| 14F0000 | Parallel 1284-B Interface Card |
| 1021231 | Parallel Cable (10-foot) |
| 14F0100 | RS-232C Serial Interface Card |
| Part # | Extended Warranties |
| 2355192 | MX811 2-Years Total (1+1) Onsite Service |
| 2355193 | MX811 3-Years Total (1+2) Onsite Service |
| 2355194 | MX811 4-Years Total (1+3) Onsite Service |
| 2355195 | MX811 5-Years Total (1+4) Onsite Service |
| 2355196 | MX811 1-Year Onsite Service Renewal |
| Part # | User Replaceable Parts |
| 40X8420 | Return Program Fuser Maintenance kit, 110-120V Type 00, Letter |
| 40X7706 | Roller Maintenance Kit |
| 40X8431 | ADF Maintenance Kit |
| 40X7743 | Return Program Fuser, 110-120V Type 00, Letter |
| 40X8425 | Fuser Maintenance kit, 110-120V, Type 05, Letter |
| 40X8016 | Fuser, 110-120V Type 05, Letter |



Lexmark MX811dme

Meet our high performance star. The Lexmark MX811dme saves time with blazing-fast processor, print, copy and scan speeds—and gives you the edge with solutions, a mailbox and 2-sided printing.

Print Technology

Monochrome Laser

Function

Printing, Network Scanning, Faxing, Copying, Color Scanning

Display

Lexmark e-Task 10.2-inch (25.9 cm) color touch screen

Print Speed (Letter, Black)

Up to 63 ppm

Print Speed (Letter, Black) Duplex

Up to 38 ppm

Time to First Page (Black)

As fast as 4.4 seconds

Copy Speed (Letter, Black)

Up to 63 ppm

Time to First Copy (Black)

As fast as 4.2 seconds

Print Resolution, Black

600 x 600 dpi, 1200 Image Quality, 2400 Image Quality, 1200 x 1200 dpi

ADF Scan

DADF (Single Pass Duplex)

Optical Scanning Resolution

600 X 600 ppi (black), 300 X 300 ppi (color)

Processor

Dual Core, 800 MHz

Memory, Standard

1024 MB

Memory, Maximum

3072 MB

Hard Disk

Included in configuration

Expandable Memory Options

Yes

Apple Macintosh Operating Systems Supported

Mac OS X (10.5, 10.6, 10.7, 10.8)

Linux Operating Systems Supported

Fedora 14, 15, 16, 17, Red Hat Enterprise Linux WS 4.0, 5.0, 6.0, Linux Linux Desktop 9.6, SUSE Linux Enterprise Server 10, 11, SUSE Linux Enterprise Desktop 10, 11, Red Flag Linux Desktop 6.0, Debian GNU/Linux 5.0, 6.0, Ubuntu 11.04, 11.10, 12.04, Mint 9, 10, 11, 12, PCLinuxOS 2011.9, openSUSE 11.3, 11.4, 12.1

Microsoft Windows Operating Systems Supported

Server 2012, 8 x64, Server 2008 R2, Server 2008 R2 running Terminal Services, 8, Windows 7 x64, Server 2008 x64 running Terminal Services, Server 2008 x64, XP, Server 2003, XP x64, Server 2003 running Terminal Services, Server 2003 x64, Server 2003 x64 running Terminal Services, Vista, Vista x64, Server 2008, Server 2008 running Terminal Services, Windows 7

Novell Operating Systems Supported

Open Enterprise Server on SUSE Linux Enterprise Server, NetWare 5.1 (SP 6+), 6.0 (SP 3+) with Novell Distributed Print Services (NDPS), NetWare 6.5 Open Enterprise Server

UNIX Operating Systems Supported

IBM AIX 5.3, 6.1, 7.1, HP-UX 11.11, 11.23, 11.31, Sun Solaris SPARC 9, 10, Sun Solaris x86 10, 11

Included Paper Handling

550-Sheet Tray, 550-Sheet Input, 100-Sheet Multipurpose Feeder, 550-Sheet Output Bin, 4-Bin Mailbox, Integrated Duplex

Optional Paper Handling

550-Sheet Tray

Paper Input Capacity, Standard: Up to

1200 pages 20 lb or 75 gsm bond

Paper Input Capacity, Maximum: Up to

2300 pages 20 lb or 75 gsm bond

Paper Output Capacity, Standard: Up to

950 pages 20 lb or 75 gsm bond

Paper Output Capacity, Maximum: Up to

950 pages 20 lb or 75 gsm bond

ADF Paper Input Capacity

Up to 150 pages 20 lb or 75 gsm bond

Finishing Option

Standard

Number of Paper Inputs, Standard

3

Number of Paper Inputs, Maximum

5

Media Types Supported

Refer to the Card Stock & Label Guide, Paper Labels, Integrated Labels, Dual Web Labels, Card Stock, Envelopes, Transparencies, Plain Paper

Media Sizes Supported

A6, Oficio, Universal, Statement, Folio, DL Envelope, B5 Envelope, A4, 7 3/4 Envelope, 10 Envelope, 9 Envelope, A5, C5 Envelope, Executive, JIS-B5, Legal, Letter

Standard Ports

Rear USB 2.0 Specification Hi-Speed Certified Port (Type A), USB 2.0 Specification Hi-Speed Certified (Type B), One Internal Card Slot, Gigabit Ethernet (10/100/1000), Front USB 2.0 Specification Hi-Speed Certified Port (Type A)

Optional Network Ports

Internal MarkNet N8350 802.11b/g/n Wireless

Optional Local Ports

Internal 1284-B Bidirectional Parallel, Internal RS-232C serial

Network Printing Methods

IPP 1.0, 1.1, 2.0 (Internet Printing Protocol), FTP, TFTP, ThinPrint, print integration, Telnet, Enhanced IP (Port 9400), LPR/LPD, Direct IP (Port 9100)

Network Protocol Support

UDP, TCP, AppleTalk™, TCP/IP IPv4, TCP/IP IPv6

Network Security

IPSec, SNMPv3, 802.1x Authentication: MD5, MSCHAPv2, LEAP, PEAP, TLS, TTLS

Printer Languages (Standard)

PDF 1.7 emulation, PostScript 3 Emulation, PCL 5e Emulation, PCL 6 Emulation, Personal Printer Data Stream (PPDS), Direct Image, Microsoft XPS (XML Paper Specification)

Reduce / Enlarge Range

25 - 400 %

Scan Area, Maximum

215.9 x 355.6 mm

Scan Area, Maximum

8.5 x 14.0 inches

Modem Speed

ITU T.30, V.34 Half-Duplex, 33.6 Kbps

Laser Cartridge Yields

45,000*-page Extra High Yield Cartridge, 25,000*-page High Yield Cartridge, 6,000*-page Cartridge

Cartridge(s) Shipping with Product

25,000*-page High Yield Return Program Toner Cartridge

Replacement Cartridges:

Product functions only with replacement cartridges designed for use in a specific geographical region. See www.lexmark.com/regions for more details.

Packaged Size (mm - H x W x D)

1327 x 870 x 762 mm

Size (mm - H x W x D)

1133 x 663 x 734 mm

Packaged Size (in. - H x W x D)

52.24 x 34.25 x 30.0 in.

Size (in. - H x W x D)

44.6 x 26.1 x 28.9 in.

Weight (kg)

86.5 kg

Weight (lb.)

190.8 lb.

Noise Level, Idle

31 dBA

Print Noise Level, Operating

55 dBA

Copy Noise Level, Operating

56 dBA

Scan Noise Level, Operating

57 dBA

Product Warranty

1-Year Onsite Service, Next Business Day

Product Certifications

Energy Star V1.2, Blue Angel (RAL-UZ-122), CAN/CSA-C22.2 60950-1, CSA E60825-1, ICES-003 Class A, BSMI Class A, CIS 13438, VCCI Class A, US FDA, FCC Class A, UL 60950-1, IEC 320-1, EN/IEC 60320-1, CE Class A, CB IEC 60950-1, EN 62311, EN 60950-1, EN/IEC 61000-3, EN 55022 Class A, EN 55024, EN/IEC 60825-1, GS (TÜV), SEMKO, UL AR, GS, TÜV Rh, SMA C-tick mark Class A, CCC Class A, CISPIR 22 Class A, CE Mark, N Mark, ECMA-370, TED

Maximum Monthly Duty Cycle

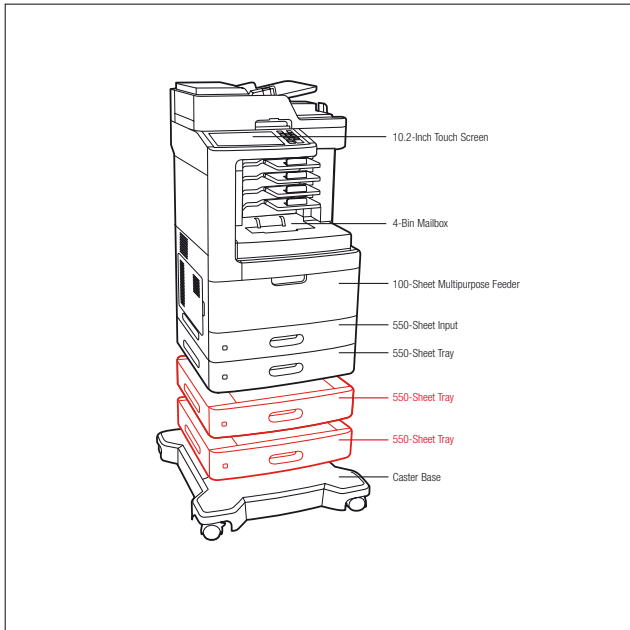
Up to 300000 pages per month

Recommended Monthly Page Volume

5000 - 35000 pages

Specified Operating Environment

Altitude: 0 - 2896 Meters (9,500 Feet), Humidity: 8 to 80% Relative Humidity, Temperature: 16 to 32°C (60 to 90°F)



Standard
 Optional

| Part # | Model |
|---------|--|
| 24T7422 | Lexmark MX811dme |
| Part # | Laser Toner/Print Cartridge |
| 62D1X00 | 621X Extra High Yield Return Program Toner Cartridge |
| 62D1H00 | 621H High Yield Return Program Toner Cartridge |
| 62D1000 | 621 Return Program Toner Cartridge |
| 52D0Z00 | 520Z Black Return Program Imaging Unit |
| 62DOXA0 | 620XA Extra High Yield Toner Cartridge |
| 52DOZA0 | 520ZA Black Imaging Unit |
| Part # | Paper Handling |
| 24T7300 | 550-Sheet Tray |
| Part # | Memory Options |
| 57X9016 | 1024MBx32 DDR3-DRAM |
| 57X9012 | 2048MBx32 DDR3-DRAM |
| 57X9101 | 256MB Flash Memory Card |
| 57X9115 | Japanese Font Card |
| 57X9114 | Korean Font Card |
| 57X9112 | Simplified Chinese Font Card |
| 57X9110 | Traditional Chinese Font Card |
| Part # | Application Solutions |
| 24T7352 | Card for iPDFS |
| 24T7351 | Forms and Bar Code Card |
| 24T7353 | Card for PRESCRIBE Emulation |
| Part # | Connectivity |
| 1021294 | USB Cable (2-meter) |
| 27X0225 | MarkNet N8350 802.11b/g/n Wireless Print Server |
| 14F0000 | Parallel 1284-B Interface Card |
| 1021231 | Parallel Cable (10-foot) |
| 14F0100 | RS-232C Serial Interface Card |
| Part # | Extended Warranties |
| 2355192 | MX811 2-Years Total (1+1) Onsite Service |
| 2355193 | MX811 3-Years Total (1+2) Onsite Service |
| 2355194 | MX811 4-Years Total (1+3) Onsite Service |
| 2355195 | MX811 5-Years Total (1+4) Onsite Service |
| 2355196 | MX811 1-Year Onsite Service Renewal |
| Part # | User Replaceable Parts |
| 40X8420 | Return Program Fuser Maintenance kit, 110-120V Type 00, Letter |
| 40X7706 | Roller Maintenance Kit |
| 40X8431 | ADF Maintenance Kit |
| 40X7743 | Return Program Fuser, 110-120V Type 00, Letter |
| 40X8425 | Fuser Maintenance kit, 110-120V, Type 05, Letter |
| 40X8016 | Fuser, 110-120V Type 05, Letter |



Lexmark MX811dtme

Meet our high performance star. The Lexmark MX811dtme saves time with blazing-fast processor, print, copy and scan speeds—and gives you the edge with solutions, a mailbox, an extra paper tray and 2-sided printing.

Print Technology

Monochrome Laser

Function

Printing, Network Scanning, Faxing, Copying, Color Scanning

Display

Lexmark e-Task 10.2-inch (25.9 cm) color touch screen

Print Speed (Letter, Black)

Up to 63 ppm

Print Speed (Letter, Black) Duplex

Up to 38 ppm

Time to First Page (Black)

As fast as 4.4 seconds

Copy Speed (Letter, Black)

Up to 63 ppm

Time to First Copy (Black)

As fast as 4.2 seconds

Print Resolution, Black

600 x 600 dpi, 1200 Image Quality, 2400 Image Quality, 1200 x 1200 dpi

ADF Scan

DADF (Single Pass Duplex)

Optical Scanning Resolution

600 X 600 ppi (black), 300 X 300 ppi (color)

Processor

Dual Core, 800 MHz

Memory, Standard

1024 MB

Memory, Maximum

3072 MB

Hard Disk

Included in configuration

Expandable Memory Options

Yes

Apple Macintosh Operating Systems Supported

Mac OS X (10.5, 10.6, 10.7, 10.8)

Linux Operating Systems Supported

Fedora 14, 15, 16, 17, Red Hat Enterprise Linux WS 4.0, 5.0, 6.0, Linpus Linux Desktop 9.6, SUSE Linux Enterprise Server 10, 11, SUSE Linux Enterprise Desktop 10, 11, Red Hat Linux Desktop 6.0, Debian GNU/Linux 5.0, 6.0, Ubuntu 11.04, 11.10, 12.04, Mint 9, 10, 11, 12, PCLinuxOS 2011.9, openSUSE 11.3, 11.4, 12.1

Microsoft Windows Operating Systems Supported

Server 2012, 8 x64, Server 2008 R2, Server 2008 R2 running Terminal Services, 8, Windows 7 x64, Server 2008 x64 running Terminal Services, Server 2008 x64, XP, Server 2003, XP x64, Server 2003 running Terminal Services, Server 2003 x64, Server 2003 x64 running Terminal Services, Vista, Vista x64, Server 2008, Server 2008 running Terminal Services, Windows 7

Novell Operating Systems Supported

Open Enterprise Server on SUSE Linux Enterprise Server, NetWare 5.1 (SP 6+), 6.0 (SP 3+) with Novell Distributed Print Services (NDPS), NetWare 6.5 Open Enterprise Server

UNIX Operating Systems Supported

IBM AIX 5.3, 6.1, 7.1, HP-UX 11.11, 11.23, 11.31, Sun Solaris SPARC 9, 10, Sun Solaris x86 10, 11

Included Paper Handling

2 x 550-Sheet Tray, Integrated Duplex, 100-Sheet Multipurpose Feeder, 550-Sheet Input, 550-Sheet Output Bin, 4-Bin Mailbox

Optional Paper Handling

550-Sheet Tray

Paper Input Capacity, Standard: Up to

1750 pages 20 lb or 75 gsm bond

Paper Input Capacity, Maximum: Up to

2300 pages 20 lb or 75 gsm bond

Paper Output Capacity, Standard: Up to

950 pages 20 lb or 75 gsm bond

Paper Output Capacity, Maximum: Up to

950 pages 20 lb or 75 gsm bond

ADF Paper Input Capacity

Up to 150 pages 20 lb or 75 gsm bond

Finishing Option

Standard

Number of Paper Inputs, Standard

4

Number of Paper Inputs, Maximum

5

Media Types Supported

Refer to the Card Stock & Label Guide, Paper Labels, Integrated Labels, Dual Web Labels, Card Stock, Envelopes, Transparencies, Plain Paper

Media Sizes Supported

A6, Oficio, Universal, Statement, Folio, DL Envelope, B5 Envelope, A4, 7 3/4 Envelope, 10 Envelope, 9 Envelope, A5, C5 Envelope, Executive, JIS-B5, Legal, Letter

Standard Ports

Rear USB 2.0 Specification Hi-Speed Certified Port (Type A), USB 2.0 Specification Hi-Speed Certified (Type B), One Internal Card Slot, Gigabit Ethernet (10/100/1000), Front USB 2.0 Specification Hi-Speed Certified Port (Type A)

Optional Network Ports

Internal MarkNet N8350 802.11b/g/n Wireless

Optional Local Ports

Internal L284-B Bidirectional Parallel, Internal RS-232C serial

Network Printing Methods

IPP 1.0, 1.1, 2.0 (Internet Printing Protocol), FTP, TFTP, ThinPrint .print integration, Telnet, Enhanced IP (Port 9400), LPR/LPD, Direct IP (Port 9100)

Network Protocol Support

UDP, TCP, AppleTalk™, TCP/IP IPv4, TCP/IP IPv6

Network Security

IPSec, SNMPv3, 802.1x Authentication: MD5, MSCHAPv2, LEAP, PEAP, TLS, TTLS

Printer Languages (Standard)

PDF 1.7 emulation, PostScript 3 Emulation, PCL 5e Emulation, PCL 6 Emulation, Personal Printer Data Stream (PPDS), Direct Image, Microsoft XPS (XML Paper Specification)

Reduce / Enlarge Range

25 - 400 %

Scan Area, Maximum

215.9 x 355.6 mm

Scan Area, Maximum

8.5 x 14.0 inches

Modem Speed

ITU T.30, V.34 Half-Duplex, 33.6 Kbps

Laser Cartridge Yields

45,000*-page Extra High Yield Cartridge, 25,000*-page High Yield Cartridge, 6,000*-page Cartridge

Cartridge(s) Shipping with Product

25,000*-page High Yield Return Program Toner Cartridge

Replacement Cartridges:

Product functions only with replacement cartridges designed for use in a specific geographical region. See www.lexmark.com/regions for more details.

Packaged Size (mm - H x W x D)

1442 x 870 x 762 mm

Size (mm - H x W x D)

1243 x 663 x 734 mm

Packaged Size (in. - H x W x D)

56.77 x 34.25 x 30.0 in.

Size (in. - H x W x D)

48.9 x 26.1 x 28.9 in.

Weight (kg)

93.5 kg

Weight (lb.)

206.4 lb.

Noise Level, Idle

31 dBA

Print Noise Level, Operating

55 dBA

Copy Noise Level, Operating

56 dBA

Scan Noise Level, Operating

57 dBA

Product Warranty

1-Year Onsite Service, Next Business Day

Product Certifications

Energy Star V1.2, Blue Angel (RAL-LZ-122), CAN/CSA-C22.2 60950-1, CSA E60825-1, ICES-003 Class A, BSMI Class A, CIS 13438, VCCI Class A, US FDA, FCC Class A, UL 60950-1, IEC 320-1, EN/IEC 60320-1, CE Class A, CB IEC 60950-1, EN 62311, EN 60950-1, EN/IEC 61000-3, EN 55022 Class A, EN 55024, EN/IEC 60825-1, GS (TÜV), SEMKO, UL AR, GS, TÜV Rh, SMA C-tick mark Class A, CCC Class A, CISPIR 22 Class A, EK Mark, N Mark, ECMA-370, TED

Maximum Monthly Duty Cycle

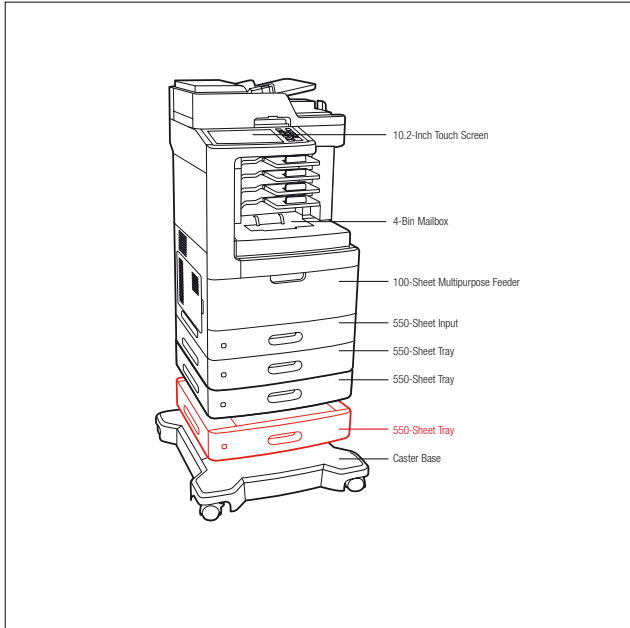
Up to 300000 pages per month

Recommended Monthly Page Volume

5000 - 35000 pages

Specified Operating Environment

Altitude: 0 - 2896 Meters (9,500 Feet), Humidity: 8 to 80% Relative Humidity, Temperature: 16 to 32°C (60 to 90°F)



Standard
 Optional

| Part # | Model |
|---------|--|
| 24T7426 | Lexmark MX811 dtme |
| Part # | Laser Toner/Print Cartridge |
| 62D1X00 | 621X Extra High Yield Return Program Toner Cartridge |
| 62D1H00 | 621H High Yield Return Program Toner Cartridge |
| 62D1000 | 621 Return Program Toner Cartridge |
| 52D0Z00 | 520Z Black Return Program Imaging Unit |
| 62D0XA0 | 620XA Extra High Yield Toner Cartridge |
| 52D0ZA0 | 520ZA Black Imaging Unit |
| Part # | Paper Handling |
| 24T7300 | 550-Sheet Tray |
| Part # | Memory Options |
| 57X9016 | 1024MBx32 DDR3-DRAM |
| 57X9012 | 2048MBx32 DDR3-DRAM |
| 57X9101 | 256MB Flash Memory Card |
| 57X9115 | Japanese Font Card |
| 57X9114 | Korean Font Card |
| 57X9112 | Simplified Chinese Font Card |
| 57X9110 | Traditional Chinese Font Card |
| Part # | Application Solutions |
| 24T7352 | Card for iPDFS |
| 24T7351 | Forms and Bar Code Card |
| 24T7353 | Card for PRESCRIBE Emulation |
| Part # | Connectivity |
| 1021294 | USB Cable (2-meter) |
| 27X0225 | MarkNet N8350 802.11b/g/n Wireless Print Server |
| 14F0000 | Parallel 1284-B Interface Card |
| 1021231 | Parallel Cable (10-foot) |
| 14F0100 | RS-232C Serial Interface Card |
| Part # | Extended Warranties |
| 2355192 | MX811 2-Years Total (1+1) Onsite Service |
| 2355193 | MX811 3-Years Total (1+2) Onsite Service |
| 2355194 | MX811 4-Years Total (1+3) Onsite Service |
| 2355195 | MX811 5-Years Total (1+4) Onsite Service |
| 2355196 | MX811 1-Year Onsite Service Renewal |
| Part # | User Replaceable Parts |
| 40X8420 | Return Program Fuser Maintenance kit, 110-120V Type 00, Letter |
| 40X7743 | Return Program Fuser, 110-120V Type 00, Letter |
| 40X7706 | Roller Maintenance Kit |
| 40X8431 | ADF Maintenance Kit |
| 40X8425 | Fuser Maintenance kit, 110-120V, Type 05, Letter |
| 40X8016 | Fuser, 110-120V Type 05, Letter |



Lexmark MX811dxe

Meet our high performance star. The Lexmark MX811dxe saves time with blazing-fast processor, print, copy and scan speeds—and gives you the edge with solutions, high input capacity and 2-sided printing.

Print Technology

Monochrome Laser

Function

Printing, Network Scanning, Faxing, Copying, Color Scanning

Display

Lexmark e-Task 10.2-inch (25.9 cm) color touch screen

Print Speed (Letter, Black)

Up to 63 ppm

Print Speed (Letter, Black) Duplex

Up to 38 ppm

Time to First Page (Black)

As fast as 4.4 seconds

Copy Speed (Letter, Black)

Up to 63 cpm

Time to First Copy (Black)

As fast as 4.2 seconds

Print Resolution, Black

600 x 600 dpi, 1200 Image Quality, 2400 Image Quality, 1200 x 1200 dpi

ADF Scan

DADF (Single Pass Duplex)

Optical Scanning Resolution

600 X 600 ppi (black), 300 X 300 ppi (color)

Processor

Dual Core, 800 MHz

Memory, Standard

1024 MB

Memory, Maximum

3072 MB

Hard Disk

Included in configuration

Expandable Memory Options

Yes

Apple Macintosh Operating Systems Supported

Mac OS X (10.5, 10.6, 10.7, 10.8)

Linux Operating Systems Supported

Fedora 14, 15, 16, 17, Red Hat Enterprise Linux WS 4.0, 5.0, 6.0, Linux Desktop 9.6, SUSE Linux Enterprise Server 10, 11, SUSE Linux Enterprise Desktop 10, 11, Red Hat Linux Desktop 6.0, Debian GNU/Linux 5.0, 6.0, Ubuntu 11.04, 11.10, 12.04, Mint 9, 10, 11, 12, PCLinuxOS 2011.9, openSUSE 11.3, 11.4, 12.1

Microsoft Windows Operating Systems Supported

Server 2012, 8 x64, Server 2008 R2, Server 2008 R2 running Terminal Services, 8, Windows 7 x64, Server 2008 x64 running Terminal Services, Server 2008 x64, XP, Server 2003, XP x64, Server 2003 running Terminal Services, Server 2003 x64, Server 2003 x64 running Terminal Services, Vista, Vista x64, Server 2008, Server 2008 running Terminal Services, Windows 7

Novell Operating Systems Supported

Open Enterprise Server on SUSE Linux Enterprise Server, NetWare 5.1 (SP 6+), 6.0 (SP 3+) with Novell Distributed Print Services (NDPS), NetWare 6.5 Open Enterprise Server

UNIX Operating Systems Supported

IBM AIX 5.3, 6.1, 7.1, HP-UX 11.11, 11.23, 11.31, Sun Solaris SPARC 9, 10, Sun Solaris x86 10, 11

Included Paper Handling

2100-Sheet Tray, 550-Sheet Input, 100-Sheet Multipurpose Feeder, 550-Sheet Output Bin, Offset Stacker, Integrated Duplex

Paper Input Capacity, Standard: Up to

2750 pages 20 lb or 75 gsm bond

Paper Input Capacity, Maximum: Up to

2750 pages 20 lb or 75 gsm bond

Paper Output Capacity, Standard: Up to

1050 pages 20 lb or 75 gsm bond

Paper Output Capacity, Maximum: Up to

1050 pages 20 lb or 75 gsm bond

ADF Paper Input Capacity

Up to 150 pages 20 lb or 75 gsm bond

Finishing Option

Standard

Number of Paper Inputs, Standard

3

Number of Paper Inputs, Maximum

3

Media Types Supported

Refer to the Card Stock & Label Guide, Paper Labels, Integrated Labels, Dual Web Labels, Card Stock, Envelopes, Transparencies, Plain Paper

Media Sizes Supported

A6, Oficio, Universal, Statement, Folio, DL Envelope, B5 Envelope, A4, 7 3/4 Envelope, 10 Envelope, 9 Envelope, A5, C5 Envelope, Executive, JIS-B5, Legal, Letter

Standard Ports

Rear USB 2.0 Specification Hi-Speed Certified Port (Type A), USB 2.0 Specification Hi-Speed Certified (Type B), One Internal Card Slot, Gigabit Ethernet (10/100/1000), Front USB 2.0 Specification Hi-Speed Certified Port (Type A)

Optional Network Ports

Internal MarkNet N8350 802.11b/g/n Wireless

Optional Local Ports

Internal 1284-B Bidirectional Parallel, Internal RS-232C serial

Network Printing Methods

IPP 1.0, 1.1, 2.0 (Internet Printing Protocol), FTP, TFTP, ThinPrint, print integration, Telnet, Enhanced IP (Port 9400), LPR/LPD, Direct IP (Port 9100)

Network Protocol Support

UDP, TCP, AppleTalk™, TCP/IP IPv4, TCP/IP IPv6

Network Security

IPSec, SNMPv3, 802.1x Authentication: MD5, MSCHAPv2, LEAP, PEAP, TLS, TTLS

Printer Languages (Standard)

PDF 1.7 emulation, PostScript 3 Emulation, PCL 5e Emulation, PCL 6 Emulation, Personal Printer Data Stream (PPDS), Direct Image, Microsoft XPS (XML Paper Specification)

Reduce / Enlarge Range

25 - 400 %

Scan Area, Maximum

215.9 x 355.6 mm

Scan Area, Maximum

8.5 x 14.0 inches

Modem Speed

ITU T.30, V.34 Half-Duplex, 33.6 Kbps

Laser Cartridge Yields

45,000*-page Extra High Yield Cartridge, 25,000*-page High Yield Cartridge, 6,000*-page Cartridge

Cartridge(s) Shipping with Product

25,000*-page High Yield Return Program Toner Cartridge

Replacement Cartridges:

Product functions only with replacement cartridges designed for use in a specific geographical region. See www.lexmark.com/regions for more details.

Packaged Size (mm - H x W x D)

1567 x 870 x 762 mm

Size (mm - H x W x D)

1374 x 663 x 734 mm

Packaged Size (in. - H x W x D)

61.69 x 34.25 x 30.0 in.

Size (in. - H x W x D)

54.1 x 26.1 x 28.9 in.

Weight (kg)

97.5 kg

Weight (lb.)

214.9 lb.

Noise Level, Idle

31 dBA

Print Noise Level, Operating

55 dBA

Copy Noise Level, Operating

56 dBA

Scan Noise Level, Operating

57 dBA

Product Warranty

1-Year Onsite Service, Next Business Day

Product Certifications

Energy Star V1.2, Blue Angel (RAL-UZ-122), CAN/CSA-C22.2 60950-1, CSA E60825-1, ICES-003 Class A, BSMI Class A, CNS 13438, VCCI Class A, US FDA, FCC Class A, UL 60950-1, IEC 320-1, EN/IEC 60320-1, CE Class A, CB IEC 60950-1, EN 62311, EN 60950-1, EN/IEC 61000-3, EN 55022 Class A, EN 55024, EN/IEC 60825-1, GS (TUV), SEMKO, UL AR, CS, TÜV Rh, SMA C-lick mark Class A, CCC Class A, CISPIR 22 Class A, EK Mark, N Mark, ECMA-370, TED

Maximum Monthly Duty Cycle

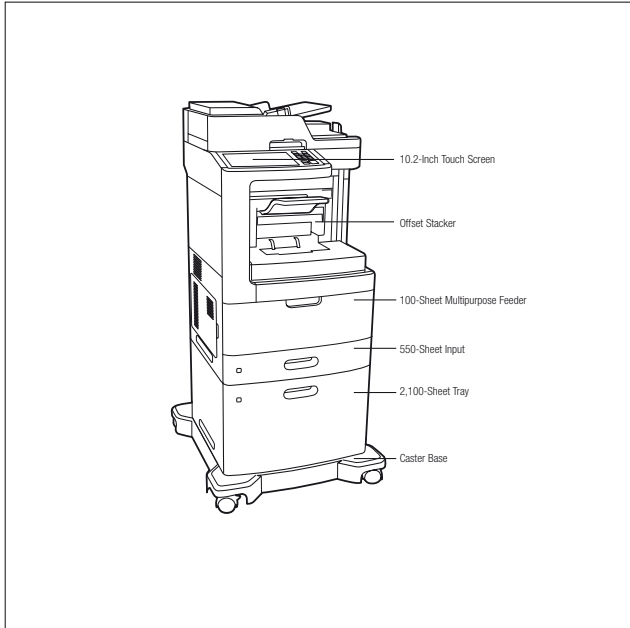
Up to 300,000 pages per month

Recommended Monthly Page Volume

5000 - 35,000 pages

Specified Operating Environment

Altitude: 0 - 2896 Meters (9,500 Feet), Humidity: 8 to 80% Relative Humidity, Temperature: 16 to 32°C (60 to 90°F)



Standard
 Optional

| | |
|---------------|--|
| Part # | Model |
| 24T7427 | Lexmark MX811dxe |
| Part # | Laser Toner/Print Cartridge |
| 62D1X00 | 621X Extra High Yield Return Program Toner Cartridge |
| 62D1H00 | 621H High Yield Return Program Toner Cartridge |
| 62D1000 | 621 Return Program Toner Cartridge |
| 52D0Z00 | 520Z Black Return Program Imaging Unit |
| 62D0XA0 | 620XA Extra High Yield Toner Cartridge |
| 52D0ZA0 | 520ZA Black Imaging Unit |
| Part # | Memory Options |
| 57X9016 | 1024MbX32 DDR3-DRAM |
| 57X9012 | 2048MbX32 DDR3-DRAM |
| 57X9101 | 256MB Flash Memory Card |
| 57X9115 | Japanese Font Card |
| 57X9114 | Korean Font Card |
| 57X9112 | Simplified Chinese Font Card |
| 57X9110 | Traditional Chinese Font Card |
| Part # | Application Solutions |
| 24T7352 | Card for IPDS |
| 24T7351 | Forms and Bar Code Card |
| 24T7353 | Card for PRESCRIBE Emulation |
| Part # | Connectivity |
| 1021294 | USB Cable (2-meter) |
| 27X0225 | MarkNet N8350 802.11b/g/n Wireless Print Server |
| 14F0000 | Parallel 1284-B Interface Card |
| 1021231 | Parallel Cable (10-foot) |
| 14F0100 | RS-232C Serial Interface Card |
| Part # | Extended Warranties |
| 2355192 | MX811 2-Years Total (1+1) Onsite Service |
| 2355193 | MX811 3-Years Total (1+2) Onsite Service |
| 2355194 | MX811 4-Years Total (1+3) Onsite Service |
| 2355195 | MX811 5-Years Total (1+4) Onsite Service |
| 2355196 | MX811 1-Year Onsite Service Renewal |
| Part # | User Replaceable Parts |
| 40X8420 | Return Program Fuser Maintenance kit, 110-120V Type 00, Letter |
| 40X7743 | Return Program Fuser, 110-120V Type 00, Letter |
| 40X7706 | Roller Maintenance Kit |
| 40X8431 | ADF Maintenance Kit |
| 40X8425 | Fuser Maintenance kit, 110-120V, Type 05, Letter |
| 40X8016 | Fuser, 110-120V Type 05, Letter |



Lexmark MX811dxf

Meet our high performance star. The Lexmark MX811dxf saves time with blazing-fast processor, print, copy and scan speeds—and gives you the edge with solutions, a staple finisher, high input capacity and 2-sided printing.

Print Technology

Monochrome Laser

Function

Printing, Network Scanning, Faxing, Copying, Color Scanning

Display

Lexmark e-Task 10.2-inch (25.9 cm) color touch screen

Print Speed (Letter, Black)

Up to 63 ppm

Print Speed (Letter, Black) Duplex

Up to 38 ppm

Time to First Page (Black)

As fast as 4.4 seconds

Copy Speed (Letter, Black)

Up to 63 cpm

Time to First Copy (Black)

As fast as 4.2 seconds

Print Resolution, Black

600 x 600 dpi, 1200 Image Quality, 2400 Image Quality, 1200 x 1200 dpi

ADF Scan

DADF (Single Pass Duplex)

Optical Scanning Resolution

600 X 600 ppi (black), 300 X 300 ppi (color)

Processor

Dual Core, 800 MHz

Memory, Standard

1024 MB

Memory, Maximum

3072 MB

Hard Disk

Included in configuration

Expandable Memory Options

Yes

Apple Macintosh Operating Systems Supported

Mac OS X (10.5, 10.6, 10.7, 10.8)

Linux Operating Systems Supported

Fedora 14, 15, 16, 17, Red Hat Enterprise Linux WS 4.0, 5.0, 6.0, Linpus Linux Desktop 9.6, SUSE Linux Enterprise Server 10, 11, SUSE Linux Enterprise Desktop 10, 11, Red Hat Linux Desktop 6.0, Debian GNU/Linux 5.0, 6.0, Ubuntu 11.04, 11.10, 12.04, Mint 9, 10, 11, 12, PCLinuxOS 2011.9, openSUSE 11.3, 11.4, 12.1

Microsoft Windows Operating Systems Supported

Server 2012, 8 x64, Server 2008 R2, Server 2008 R2 running Terminal Services, 8, Windows 7 x64, Server 2008 x64 running Terminal Services, Server 2008 x64, XP, Server 2003, XP x64, Server 2003 running Terminal Services, Server 2003 x64, Server 2003 x64 running Terminal Services, Vista, Vista x64, Server 2008, Server 2008 running Terminal Services, Windows 7

Novell Operating Systems Supported

Open Enterprise Server on SUSE Linux Enterprise Server, NetWare 5.1 (SP 6+), 6.0 (SP 3+) with Novell Distributed Print Services (NDPS), NetWare 6.5 Open Enterprise Server

UNIX Operating Systems Supported

IBM AIX 5.3, 6.1, 7.1, HP-UX 11.11, 11.23, 11.31, Sun Solaris SPARC 9, 10, Sun Solaris x86 10, 11

Included Paper Handling

2100-Sheet Tray, 550-Sheet Input, 100-Sheet Multipurpose Feeder, 550-Sheet Output Bin, Staple Finisher, Integrated Duplex

Paper Input Capacity, Standard: Up to

2750 pages 20 lb or 75 gsm bond

Paper Input Capacity, Maximum: Up to

2750 pages 20 lb or 75 gsm bond

Paper Output Capacity, Standard: Up to

1050 pages 20 lb or 75 gsm bond

Paper Output Capacity, Maximum: Up to

1050 pages 20 lb or 75 gsm bond

ADF Paper Input Capacity

Up to 150 pages 20 lb or 75 gsm bond

Finishing Option

Standard

Number of Paper Inputs, Standard

3

Number of Paper Inputs, Maximum

3

Media Types Supported

Refer to the Card Stock & Label Guide, Paper Labels, Integrated Labels, Dual Web Labels, Card Stock, Envelopes, Transparencies, Plain Paper

Media Sizes Supported

A6, Oficio, Universal, Statement, Folio, DL Envelope, B5 Envelope, A4, 7 3/4 Envelope, 10 Envelope, 9 Envelope, A5, C5 Envelope, Executive, JIS-B5, Legal, Letter

Standard Ports

Rear USB 2.0 Specification Hi-Speed Certified Port (Type A), USB 2.0 Specification Hi-Speed Certified (Type B), One Internal Card Slot, Gigabit Ethernet (10/100/1000), Front USB 2.0 Specification Hi-Speed Certified Port (Type A)

Optional Network Ports

Internal MarkNet N8350 802.11b/g/n Wireless

Optional Local Ports

Internal 1284-B Bidirectional Parallel, Internal RS-232C serial

Network Printing Methods

IPP 1.0, 1.1, 2.0 (Internet Printing Protocol), FTP, TFTP, ThinPrint, print integration, Telnet, Enhanced IP (Port 9400), LPR/LPD, Direct IP (Port 9100)

Network Protocol Support

UDP, TCP, AppleTalk™, TCP/IP IPv4, TCP/IP IPv6

Network Security

IPSec, SNMPv3, 802.1x Authentication: MD5, MSCHAPv2, LEAP, PEAP, TLS, TTLS

Printer Languages (Standard)

PDF 1.7 emulation, PostScript 3 Emulation, PCL 5e Emulation, PCL 6 Emulation, Personal Printer Data Stream (PPDS), Direct Image, Microsoft XPS (XML Paper Specification)

Reduce / Enlarge Range

25 - 400 %

Scan Area, Maximum

215.9 x 355.6 mm

Scan Area, Maximum

8.5 x 14.0 inches

Modem Speed

ITU T.30, V.34 Half-Duplex, 33.6 Kbps

Laser Cartridge Yields

45,000*-page Extra High Yield Cartridge, 25,000*-page High Yield Cartridge, 6,000*-page Cartridge

Cartridge(s) Shipping with Product

25,000*-page High Yield Return Program Toner Cartridge

Replacement Cartridges:

Product functions only with replacement cartridges designed for use in a specific geographical region. See www.lexmark.com/regions for more details.

Packaged Size (mm - H x W x D)

1567 x 870 x 762 mm

Size (mm - H x W x D)

1374 x 663 x 734 mm

Packaged Size (in. - H x W x D)

61.69 x 34.25 x 30.0 in.

Size (in. - H x W x D)

54.1 x 26.1 x 28.9 in.

Weight (kg)

100.0 kg

Weight (lb.)

220.4 lb.

Noise Level, Idle

31 dBA

Print Noise Level, Operating

55 dBA

Copy Noise Level, Operating

56 dBA

Scan Noise Level, Operating

57 dBA

Product Warranty

1-Year Onsite Service, Next Business Day

Product Certifications

Energy Star V1.2, Blue Angel (RAL-UZ-122), CAN/CSA-C22.2 60950-1, CSA E60825-1, ICES-003 Class A, BSMI Class A, CNS 13438, VCCI Class A, US FDA, FCC Class A, UL 60950-1, IEC 320-1, EN/IEC 60320-1, CE Class A, CB IEC 60950-1, EN 62311, EN 60950-1, EN/IEC 61000-3, EN 55022 Class A, EN 55024, EN/IEC 60825-1, GS (TUV), SEMKO, UL AR, CS, TÜV Rh, SMA C-lick mark Class A, CCC Class A, CISPIR 22 Class A, EK Mark, N Mark, ECMA-370, TED

Maximum Monthly Duty Cycle

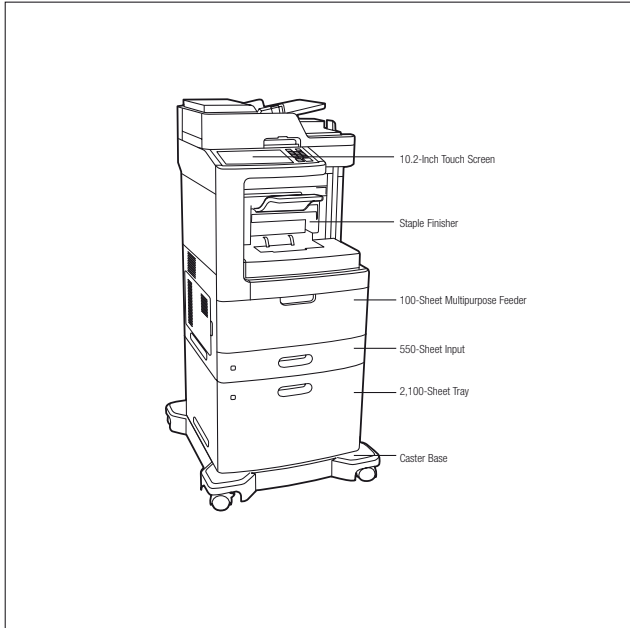
Up to 300,000 pages per month

Recommended Monthly Page Volume

5000 - 35,000 pages

Specified Operating Environment

Altitude: 0 - 2896 Meters (9,500 Feet), Humidity: 8 to 80% Relative Humidity, Temperature: 16 to 32°C (60 to 90°F)



Standard
 Optional

| Part # | Model |
|---------|--|
| 24T7428 | Lexmark MX811 dxf |
| Part # | Laser Toner/Print Cartridge |
| 62D1X00 | 621X Extra High Yield Return Program Toner Cartridge |
| 62D1H00 | 621H High Yield Return Program Toner Cartridge |
| 62D1000 | 621 Return Program Toner Cartridge |
| 52D0Z00 | 520Z Black Return Program Imaging Unit |
| 62DOXA0 | 620XA Extra High Yield Toner Cartridge |
| 52DOZA0 | 520ZA Black Imaging Unit |
| 25A0013 | Staple Cartridges (3 pack) |
| Part # | Memory Options |
| 57X9016 | 1024MBx32 DDR3-DRAM |
| 57X9012 | 2048MBx32 DDR3-DRAM |
| 57X9101 | 256MB Flash Memory Card |
| 57X9115 | Japanese Font Card |
| 57X9114 | Korean Font Card |
| 57X9112 | Simplified Chinese Font Card |
| 57X9110 | Traditional Chinese Font Card |
| Part # | Application Solutions |
| 24T7352 | Card for IPDS |
| 24T7351 | Forms and Bar Code Card |
| 24T7353 | Card for PRESCRIBE Emulation |
| Part # | Connectivity |
| 1021294 | USB Cable (2-meter) |
| 27X0225 | MarkNet N8350 802.11b/g/n Wireless Print Server |
| 14F0000 | Parallel 1284-B Interface Card |
| 1021231 | Parallel Cable (10-foot) |
| 14F0100 | RS-232C Serial Interface Card |
| Part # | Extended Warranties |
| 2355192 | MX811 2-Years Total (1+1) Onsite Service |
| 2355193 | MX811 3-Years Total (1+2) Onsite Service |
| 2355194 | MX811 4-Years Total (1+3) Onsite Service |
| 2355195 | MX811 5-Years Total (1+4) Onsite Service |
| 2355196 | MX811 1-Year Onsite Service Renewal |
| Part # | User Replaceable Parts |
| 40X8420 | Return Program Fuser Maintenance kit, 110-120V Type 00, Letter |
| 40X7743 | Return Program Fuser, 110-120V Type 00, Letter |
| 40X7706 | Roller Maintenance Kit |
| 40X8431 | ADF Maintenance Kit |
| 40X8425 | Fuser Maintenance kit, 110-120V, Type 05, Letter |
| 40X8016 | Fuser, 110-120V Type 05, Letter |



Lexmark MX811dxme

Meet our high performance star. The Lexmark MX811dxme saves time with blazing-fast processor, print, copy and scan speeds—and gives you the edge with solutions, a mailbox, an extra paper tray and 2-sided printing.

Print Technology

Monochrome Laser

Function

Printing, Network Scanning, Faxing, Copying, Color Scanning

Display

Lexmark e-Task 10.2-inch (25.9 cm) color touch screen

Print Speed (Letter, Black)

Up to 63 ppm

Print Speed (Letter, Black) Duplex

Up to 38 ppm

Time to First Page (Black)

As fast as 4.4 seconds

Copy Speed (Letter, Black)

Up to 63 cpm

Time to First Copy (Black)

As fast as 4.2 seconds

Print Resolution, Black

600 x 600 dpi, 1200 Image Quality, 2400 Image Quality, 1200 x 1200 dpi

ADF Scan

DADF (Single Pass Duplex)

Optical Scanning Resolution

600 X 600 ppi (black), 300 X 300 ppi (color)

Processor

Dual Core, 800 MHz

Memory, Standard

1024 MB

Memory, Maximum

3072 MB

Hard Disk

Included in configuration

Expandable Memory Options

Yes

Apple Macintosh Operating Systems Supported

Mac OS X (10.5, 10.6, 10.7, 10.8)

Linux Operating Systems Supported

Fedora 14, 15, 16, 17, Red Hat Enterprise Linux WS 4.0, 5.0, 6.0, Linux Desktop 9.6, SUSE Linux Enterprise Server 10, 11, SUSE Linux Enterprise Desktop 10, 11, Red Hat Linux Desktop 6.0, Debian GNU/Linux 5.0, 6.0, Ubuntu 11.04, 11.10, 12.04, Mint 9, 10, 11, 12, PCLinuxOS 2011.9, openSUSE 11.3, 11.4, 12.1

Microsoft Windows Operating Systems Supported

Server 2012, 8 x64, Server 2008 R2, Server 2008 R2 running Terminal Services, 8, Windows 7 x64, Server 2008 x64 running Terminal Services, Server 2008 x64, XP, Server 2003, XP x64, Server 2003 running Terminal Services, Server 2003 x64, Server 2003 x64 running Terminal Services, Vista, Vista x64, Server 2008, Server 2008 running Terminal Services, Windows 7

Novell Operating Systems Supported

Open Enterprise Server on SUSE Linux Enterprise Server, NetWare 5.1 (SP 6+), 6.0 (SP 3+) with Novell Distributed Print Services (NDPS), NetWare 6.5 Open Enterprise Server

UNIX Operating Systems Supported

IBM AIX 5.3, 6.1, 7.1, HP-UX 11.11, 11.23, 11.31, Sun Solaris SPARC 9, 10, Sun Solaris x86 10, 11

Included Paper Handling

2100-Sheet Tray, 550-Sheet Input, 100-Sheet Multipurpose Feeder, 550-Sheet Output Bin, 4-Bin Mailbox, Integrated Duplex

Paper Input Capacity, Standard: Up to

2750 pages 20 lb or 75 gsm bond

Paper Input Capacity, Maximum: Up to

2750 pages 20 lb or 75 gsm bond

Paper Output Capacity, Standard: Up to

950 pages 20 lb or 75 gsm bond

Paper Output Capacity, Maximum: Up to

950 pages 20 lb or 75 gsm bond

ADF Paper Input Capacity

Up to 150 pages 20 lb or 75 gsm bond

Finishing Option

Standard

Number of Paper Inputs, Standard

3

Number of Paper Inputs, Maximum

3

Media Types Supported

Refer to the Card Stock & Label Guide, Paper Labels, Integrated Labels, Dual Web Labels, Card Stock, Envelopes, Transparencies, Plain Paper

Media Sizes Supported

A6, Oficio, Universal, Statement, Folio, DL Envelope, B5 Envelope, A4, 7 3/4 Envelope, 10 Envelope, 9 Envelope, A5, C5 Envelope, Executive, JIS-B5, Legal, Letter

Standard Ports

Rear USB 2.0 Specification Hi-Speed Certified Port (Type A), USB 2.0 Specification Hi-Speed Certified (Type B), One Internal Card Slot, Gigabit Ethernet (10/100/1000), Front USB 2.0 Specification Hi-Speed Certified Port (Type A)

Optional Network Ports

Internal MarkNet N8350 802.11b/g/n Wireless

Optional Local Ports

Internal 1284-B Bidirectional Parallel, Internal RS-232C serial

Network Printing Methods

IPP 1.0, 1.1, 2.0 (Internet Printing Protocol), FTP, TFTP, ThinPrint, print integration, Telnet, Enhanced IP (Port 9400), LPR/LPD, Direct IP (Port 9100)

Network Protocol Support

UDP, TCP, AppleTalk™, TCP/IP IPv4, TCP/IP IPv6

Network Security

IPSec, SNMPv3, 802.1x Authentication: MD5, MSCHAPv2, LEAP, PEAP, TLS, TTLS

Printer Languages (Standard)

PDF 1.7 emulation, PostScript 3 Emulation, PCL 5e Emulation, PCL 6 Emulation, Personal Printer Data Stream (PPDS), Direct Image, Microsoft XPS (XML Paper Specification)

Reduce / Enlarge Range

25 - 400 %

Scan Area, Maximum

215.9 x 355.6 mm

Scan Area, Maximum

8.5 x 14.0 inches

Modem Speed

ITU T.30, V.34 Half-Duplex, 33.6 Kbps

Laser Cartridge Yields

45,000*-page Extra High Yield Cartridge, 25,000*-page High Yield Cartridge, 6,000*-page Cartridge

Cartridge(s) Shipping with Product

25,000*-page High Yield Return Program Toner Cartridge

Replacement Cartridges:

Product functions only with replacement cartridges designed for use in a specific geographical region. See www.lexmark.com/regions for more details.

Packaged Size (mm - H x W x D)

1567 x 870 x 762 mm

Size (mm - H x W x D)

1374 x 663 x 734 mm

Packaged Size (in. - H x W x D)

61.69 x 34.25 x 30.0 in.

Size (in. - H x W x D)

54.1 x 26.1 x 28.9 in.

Weight (kg)

98.9 kg

Weight (lb.)

218 lb.

Noise Level, Idle

31 dBA

Print Noise Level, Operating

55 dBA

Copy Noise Level, Operating

56 dBA

Scan Noise Level, Operating

57 dBA

Product Warranty

1-Year Onsite Service, Next Business Day

Product Certifications

Energy Star V1.2, Blue Angel (RAL-UZ-122), CAN/CSA-C22.2 60950-1, CSA E60825-1, ICES-003 Class A, BSMI Class A, CNS 13438, VCCI Class A, US FDA, FCC Class A, UL 60950-1, IEC 320-1, EN/IEC 60320-1, CE Class A, CB IEC 60950-1, EN 62311, EN 60950-1, EN/IEC 61000-3, EN 55022 Class A, EN 55024, EN/IEC 60825-1, GS (TUV), SEMKO, UL AR, CS, TÜV Rh, SMA C-lick mark Class A, CCC Class A, CISPIR 22 Class A, EK Mark, N Mark, ECMA-370, TED

Maximum Monthly Duty Cycle

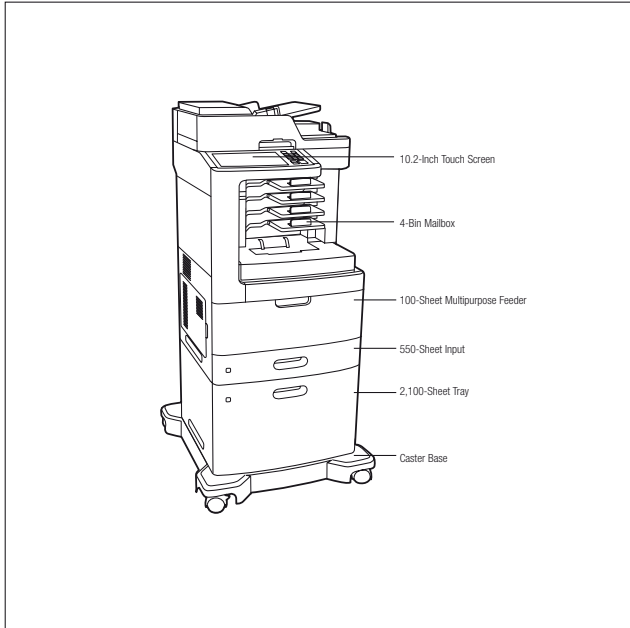
Up to 300,000 pages per month

Recommended Monthly Page Volume

5000 - 35,000 pages

Specified Operating Environment

Altitude: 0 - 2896 Meters (9,500 Feet), Humidity: 8 to 80% Relative Humidity, Temperature: 16 to 32°C (60 to 90°F)



Standard
 Optional

| | |
|---------------|--|
| Part # | Model |
| 24T7430 | Lexmark MX811dxe |
| Part # | Laser Toner/Print Cartridge |
| 62D1X00 | 621X Extra High Yield Return Program Toner Cartridge |
| 62D1H00 | 621H High Yield Return Program Toner Cartridge |
| 62D1000 | 621 Return Program Toner Cartridge |
| 52D0Z00 | 520Z Black Return Program Imaging Unit |
| 62D0XA0 | 620XA Extra High Yield Toner Cartridge |
| 52D0ZA0 | 520ZA Black Imaging Unit |
| Part # | Memory Options |
| 57X9016 | 1024MbX32 DDR3-DRAM |
| 57X9012 | 2048MbX32 DDR3-DRAM |
| 57X9101 | 256MB Flash Memory Card |
| 57X9115 | Japanese Font Card |
| 57X9114 | Korean Font Card |
| 57X9112 | Simplified Chinese Font Card |
| 57X9110 | Traditional Chinese Font Card |
| Part # | Application Solutions |
| 24T7352 | Card for IPDS |
| 24T7351 | Forms and Bar Code Card |
| 24T7353 | Card for PRESCRIBE Emulation |
| Part # | Connectivity |
| 1021294 | USB Cable (2-meter) |
| 27X0225 | MarkNet N8350 802.11b/g/n Wireless Print Server |
| 14F0000 | Parallel 1284-B Interface Card |
| 1021231 | Parallel Cable (10-foot) |
| 14F0100 | RS-232C Serial Interface Card |
| Part # | Extended Warranties |
| 2355192 | MX811 2-Years Total (1+1) Onsite Service |
| 2355193 | MX811 3-Years Total (1+2) Onsite Service |
| 2355194 | MX811 4-Years Total (1+3) Onsite Service |
| 2355195 | MX811 5-Years Total (1+4) Onsite Service |
| 2355196 | MX811 1-Year Onsite Service Renewal |
| Part # | User Replaceable Parts |
| 40X8420 | Return Program Fuser Maintenance kit, 110-120V Type 00, Letter |
| 40X7743 | Return Program Fuser, 110-120V Type 00, Letter |
| 40X7706 | Roller Maintenance Kit |
| 40X8431 | ADF Maintenance Kit |
| 40X8425 | Fuser Maintenance kit, 110-120V, Type 05, Letter |
| 40X8016 | Fuser, 110-120V Type 05, Letter |



Lexmark MX812de

Meet our high performance star. The Lexmark MX812de saves time with blazing-fast processor, print, copy and scan speeds—and gives you the edge with solutions and 2-sided printing.

Print Technology

Monochrome Laser

Function

Printing, Network Scanning, Faxing, Copying, Color Scanning

Display

Lexmark e-Task 10.2-inch (25.9 cm) color touch screen

Print Speed (Letter, Black)

Up to 70 ppm

Print Speed (Letter, Black) Duplex

Up to 42 ppm

Time to First Page (Black)

As fast as 4.0 seconds

Copy Speed (Letter, Black)

Up to 70 cpm

Time to First Copy (Black)

As fast as 4 seconds

Print Resolution, Black

600 x 600 dpi, 1200 Image Quality, 2400 Image Quality, 1200 x 1200 dpi

ADF Scan

DADF (Single Pass Duplex)

Optical Scanning Resolution

600 X 600 ppi (black), 300 X 300 ppi (color)

Processor

Dual Core, 800 MHz

Memory, Standard

1024 MB

Memory, Maximum

3072 MB

Hard Disk

Included in configuration

Expandable Memory Options

Yes

Apple Macintosh Operating Systems Supported

Mac OS X (10.5, 10.6, 10.7, 10.8)

Linux Operating Systems Supported

Fedora 14, 15, 16, 17, Red Hat Enterprise Linux WS 4.0, 5.0, 6.0, Linpus Linux Desktop 9.6, SUSE Linux Enterprise Server 10, 11, SUSE Linux Enterprise Desktop 10, 11, Red Flag Linux Desktop 6.0, Debian GNU/Linux 5.0, 6.0, Ubuntu 11.04, 11.10, 12.04, Mint 9, 10, 11, 12, PCLinuxOS 2011.9, openSUSE 11.3, 11.4, 12.1

Microsoft Windows Operating Systems Supported

Server 2012, 8 x64, Server 2008 R2, Server 2008 R2 running Terminal Services, 8, Windows 7 x64, Server 2008 x64 running Terminal Services, Server 2008 x64, XP, Server 2003, XP x64, Server 2003 running Terminal Services, Server 2003 x64, Server 2003 x64 running Terminal Services, Vista, Vista x64, Server 2008, Server 2008 running Terminal Services, Windows 7

Novell Operating Systems Supported

Open Enterprise Server on SUSE Linux Enterprise Server, NetWare 5.1 (SP 6+), 6.0 (SP 3+) with Novell Distributed Print Services (NDPS), NetWare 6.5 Open Enterprise Server

UNIX Operating Systems Supported

IBM AIX 5.3, 6.1, 7.1, HP-UX 11.11, 11.23, 11.31, Sun Solaris SPARC 9, 10, Sun Solaris x86 10, 11

Included Paper Handling

550-Sheet Tray, Integrated Duplex, 100-Sheet Multipurpose Feeder, 550-Sheet Input, 550-Sheet Output Bin, Offset Stacker

Optional Paper Handling

550-Sheet Tray

Paper Input Capacity, Standard: Up to

1200 pages 20 lb or 75 gsm bond

Paper Input Capacity, Maximum: Up to

2300 pages 20 lb or 75 gsm bond

Paper Output Capacity, Standard: Up to

1050 pages 20 lb or 75 gsm bond

Paper Output Capacity, Maximum: Up to

1050 pages 20 lb or 75 gsm bond

ADF Paper Input Capacity

Up to 150 pages 20 lb or 75 gsm bond

Finishing Option

Standard

Number of Paper Inputs, Standard

3

Number of Paper Inputs, Maximum

5

Media Types Supported

Refer to the Card Stock & Label Guide, Paper Labels, Integrated Labels, Dual Web Labels, Card Stock, Envelopes, Transparencies, Plain Paper

Media Sizes Supported

A6, Oficio, Universal, Statement, Folio, DL Envelope, B5 Envelope, A4, 7 3/4 Envelope, 10 Envelope, 9 Envelope, A5, C5 Envelope, Executive, JIS-B5, Legal, Letter

Standard Ports

Rear USB 2.0 Specification Hi-Speed Certified Port (Type A), USB 2.0 Specification Hi-Speed Certified (Type B), One Internal Card Slot, Gigabit Ethernet (10/100/1000), Front USB 2.0 Specification Hi-Speed Certified Port (Type A)

Optional Network Ports

Internal MarkNet N8350 802.11b/g/n Wireless

Optional Local Ports

Internal 1284-B Bidirectional Parallel, Internal RS-232C serial

Network Printing Methods

IPP 1.0, 1.1, 2.0 (Internet Printing Protocol), FTP, TFTP, ThinPrint .print integration, Telnet, Enhanced IP (Port 9400), LPR/LPD, Direct IP (Port 9100)

Network Protocol Support

UDP, TCP, AppleTalk™, TCP/IP IPv4, TCP/IP IPv6

Network Security

IPSec, SNMPv3, 802.1x Authentication: MD5, MSCHAPv2, LEAP, PEAP, TLS, TTLS

Printer Languages (Standard)

PDF 1.7 emulation, PostScript 3 Emulation, PCL 5e Emulation, PCL 6 Emulation, Personal Printer Data Stream (PPDS), Direct Image, Microsoft XPS (XML Paper Specification)

Reduce / Enlarge Range

25 - 400 %

Scan Area, Maximum

215.9 x 355.6 mm

Scan Area, Maximum

8.5 x 14.0 inches

Modem Speed

ITU T.30, V.34 Half-Duplex, 33.6 Kbps

Laser Cartridge Yields

45,000*-page Extra High Yield Cartridge, 25,000*-page High Yield Cartridge, 6,000*-page Cartridge

Cartridge(s) Shipping with Product

25,000*-page High Yield Return Program Toner Cartridge

Replacement Cartridges:

Product functions only with replacement cartridges designed for use in a specific geographical region. See www.lexmark.com/regions for more details.

Packaged Size (mm - H x W x D)

1327 x 870 x 762 mm

Size (mm - H x W x D)

1133 x 663 x 734 mm

Packaged Size (in. - H x W x D)

52.24 x 34.25 x 30.0 in.

Size (in. - H x W x D)

44.6 x 26.1 x 28.9 in.

Weight (kg)

85.1 kg

Weight (lb.)

187.7 lb.

Noise Level, Idle

30 dBA

Print Noise Level, Operating

56 dBA

Copy Noise Level, Operating

56 dBA

Scan Noise Level, Operating

57 dBA

Product Warranty

1-Year Onsite Service, Next Business Day

Product Certifications

Energy Star V1.2, Blue Angel (RAL-UZ-122), CAN/CSA-C22.2 60950-1, CSA E60825-1, ICES-003 Class A, BSMI Class A, CIS 13438, VCCI Class A, US FDA, FCC Class A, UL 60950-1, IEC 320-1, EN/IEC 60320-1, CE Class A, CB IEC 60950-1, EN 62311, EN 60950-1, EN/IEC 61000-3, EN 55022 Class A, EN 55024, EN/IEC 60825-1, GS (TUV), SEMKO, UL AR, CS, TÜV Rh, SMA C-tick mark Class A, CCC Class A, CISPIR 22 Class A, EK Mark, N Mark, ECMA-370, TED

Maximum Monthly Duty Cycle

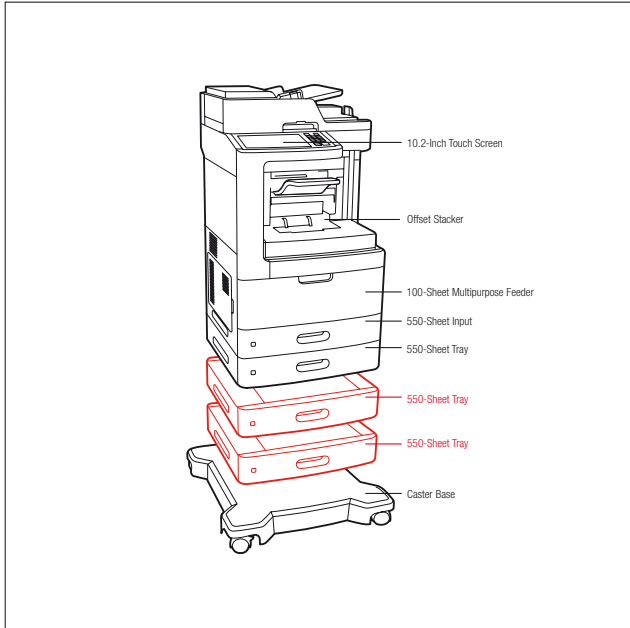
Up to 300000 pages per month

Recommended Monthly Page Volume

5000 - 35000 pages

Specified Operating Environment

Altitude: 0 - 2896 Meters (9,500 Feet), Humidity: 8 to 80% Relative Humidity, Temperature: 16 to 32°C (60 to 90°F)



Standard
 Optional

| | |
|---------------|--|
| Part # | Model |
| 24T7431 | Lexmark MX812de |
| Part # | Laser Toner/Print Cartridge |
| 62D1X00 | 621X Extra High Yield Return Program Toner Cartridge |
| 62D1H00 | 621H High Yield Return Program Toner Cartridge |
| 62D1000 | 621 Return Program Toner Cartridge |
| 52D0Z00 | 520Z Black Return Program Imaging Unit |
| 62DOXA0 | 620XA Extra High Yield Toner Cartridge |
| 52DOZA0 | 520ZA Black Imaging Unit |
| 25A0013 | Staple Cartridges (3 pack) |
| Part # | Paper Handling |
| 24T7300 | 550-Sheet Tray |
| Part # | Memory Options |
| 57X9016 | 1024MBx32 DDR3-DRAM |
| 57X9012 | 2048MBx32 DDR3-DRAM |
| 57X9101 | 256MB Flash Memory Card |
| 57X9115 | Japanese Font Card |
| 57X9114 | Korean Font Card |
| 57X9112 | Simplified Chinese Font Card |
| 57X9110 | Traditional Chinese Font Card |
| Part # | Application Solutions |
| 24T7352 | Card for IPDS |
| 24T7351 | Forms and Bar Code Card |
| 24T7353 | Card for PRESCRIBE Emulation |
| Part # | Connectivity |
| 1021294 | USB Cable (2-meter) |
| 27X0225 | MarkNet N8350 802.11b/g/n Wireless Print Server |
| 14F0000 | Parallel 1284-B Interface Card |
| 1021231 | Parallel Cable (10-foot) |
| 14F0100 | RS-232C Serial Interface Card |
| Part # | Extended Warranties |
| 2355220 | MX812 2-Years Total (1+1) Onsite Service |
| 2355221 | MX812 3-Years Total (1+2) Onsite Service |
| 2355222 | MX812 4-Years Total (1+3) Onsite Service |
| 2355223 | MX812 5-Years Total (1+4) Onsite Service |
| 2355224 | MX812 1-Year Onsite Service Renewal |
| Part # | User Replaceable Parts |
| 40X8420 | Return Program Fuser Maintenance kit, 110-120V Type 00, Letter |
| 40X7743 | Return Program Fuser, 110-120V Type 00, Letter |
| 40X7706 | Roller Maintenance Kit |
| 40X8431 | ADF Maintenance Kit |
| 40X8425 | Fuser Maintenance kit, 110-120V, Type 05, Letter |
| 40X8016 | Fuser, 110-120V Type 05, Letter |



Lexmark MX812dte

Meet our high performance star. The Lexmark MX812dte saves time with blazing-fast processor, print, copy and scan speeds—and gives you the edge with solutions, an extra paper tray and 2-sided printing.

Print Technology

Monochrome Laser

Function

Printing, Network Scanning, Faxing, Copying, Color Scanning

Display

Lexmark e-Task 10.2-inch (25.9 cm) color touch screen

Print Speed (Letter, Black)

Up to 70 ppm

Print Speed (Letter, Black) Duplex

Up to 42 ppm

Time to First Page (Black)

As fast as 4.0 seconds

Copy Speed (Letter, Black)

Up to 70 cpm

Time to First Copy (Black)

As fast as 4 seconds

Print Resolution, Black

600 x 600 dpi, 1200 Image Quality, 2400 Image Quality, 1200 x 1200 dpi

ADF Scan

DADF (Single Pass Duplex)

Optical Scanning Resolution

600 X 600 ppi (black), 300 X 300 ppi (color)

Processor

Dual Core, 800 MHz

Memory, Standard

1024 MB

Memory, Maximum

3072 MB

Hard Disk

Included in configuration

Expandable Memory Options

Yes

Apple Macintosh Operating Systems Supported

Mac OS X (10.5, 10.6, 10.7, 10.8)

Linux Operating Systems Supported

Fedora 14, 15, 16, 17, Red Hat Enterprise Linux WS 4.0, 5.0, 6.0, Linux Desktop 9.6, SUSE Linux Enterprise Server 10, 11, SUSE Linux Enterprise Desktop 10, 11, Red Flag Linux Desktop 6.0, Debian GNU/Linux 5.0, 6.0, Ubuntu 11.04, 11.10, 12.04, Mint 9, 10, 11, 12, PCLinuxOS 2011.9, openSUSE 11.3, 11.4, 12.1

Microsoft Windows Operating Systems Supported

Server 2012, 8 x64, Server 2008 R2, Server 2008 R2 running Terminal Services, 8, Windows 7 x64, Server 2008 x64 running Terminal Services, Server 2008 x64, XP, Server 2003, XP x64, Server 2003 running Terminal Services, Server 2003 x64, Server 2003 x64 running Terminal Services, Vista, Vista x64, Server 2008, Server 2008 running Terminal Services, Windows 7

Novell Operating Systems Supported

Open Enterprise Server on SUSE Linux Enterprise Server, NetWare 5.1 (SP 6+), 6.0 (SP 3+) with Novell Distributed Print Services (NDPS), NetWare 6.5 Open Enterprise Server

UNIX Operating Systems Supported

IBM AIX 5.3, 6.1, 7.1, HP-UX 11.11, 11.23, 11.31, Sun Solaris SPARC 9, 10, Sun Solaris x86 10, 11

Included Paper Handling

2 x 550-Sheet Tray, Integrated Duplex, 100-Sheet Multipurpose Feeder, 550-Sheet Input, 550-Sheet Output Bin, Offset Stacker

Optional Paper Handling

550-Sheet Tray

Paper Input Capacity, Standard: Up to

1750 pages 20 lb or 75 gsm bond

Paper Input Capacity, Maximum: Up to

2300 pages 20 lb or 75 gsm bond

Paper Output Capacity, Standard: Up to

1050 pages 20 lb or 75 gsm bond

Paper Output Capacity, Maximum: Up to

1050 pages 20 lb or 75 gsm bond

ADF Paper Input Capacity

Up to 150 pages 20 lb or 75 gsm bond

Finishing Option

Standard

Number of Paper Inputs, Standard

4

Number of Paper Inputs, Maximum

5

Media Types Supported

Refer to the Card Stock & Label Guide, Paper Labels, Integrated Labels, Dual Web Labels, Card Stock, Envelopes, Transparencies, Plain Paper

Media Sizes Supported

A6, Oficio, Universal, Statement, Folio, DL Envelope, B5 Envelope, A4, 7 3/4 Envelope, 10 Envelope, 9 Envelope, A5, C5 Envelope, Executive, JIS-B5, Legal, Letter

Standard Ports

Rear USB 2.0 Specification Hi-Speed Certified Port (Type A), USB 2.0 Specification Hi-Speed Certified (Type B), One Internal Card Slot, Gigabit Ethernet (10/100/1000), Front USB 2.0 Specification Hi-Speed Certified Port (Type A)

Optional Network Ports

Internal MarkNet N8350 802.11b/g/n Wireless

Optional Local Ports

Internal 1284-B Bidirectional Parallel, Internal RS-232C serial

Network Printing Methods

IPP 1.0, 1.1, 2.0 (Internet Printing Protocol), FTP, TFTP, ThinPrint .print integration, Telnet, Enhanced IP (Port 9400), LPR/LPD, Direct IP (Port 9100)

Network Protocol Support

UDP, TCP, AppleTalk™, TCP/IP IPv4, TCP/IP IPv6

Network Security

IPSec, SNMPv3, 802.1x Authentication: MD5, MSCHAPv2, LEAP, PEAP, TLS, TTLS

Printer Languages (Standard)

PDF 1.7 emulation, PostScript 3 Emulation, PCL 5e Emulation, PCL 6 Emulation, Personal Printer Data Stream (PPDS), Direct Image, Microsoft XPS (XML Paper Specification)

Reduce / Enlarge Range

25 - 400 %

Scan Area, Maximum

215.9 x 355.6 mm

Scan Area, Maximum

8.5 x 14.0 inches

Modem Speed

ITU T.30, V.34 Half-Duplex, 33.6 Kbps

Laser Cartridge Yields

45,000*-page Extra High Yield Cartridge, 25,000*-page High Yield Cartridge, 6,000*-page Cartridge

Cartridge(s) Shipping with Product

25,000*-page High Yield Return Program Toner Cartridge

Replacement Cartridges:

Product functions only with replacement cartridges designed for use in a specific geographical region. See www.lexmark.com/regions for more details.

Packaged Size (mm - H x W x D)

1442 x 870 x 762 mm

Size (mm - H x W x D)

1243 x 663 x 734 mm

Packaged Size (in. - H x W x D)

56.77 x 34.25 x 30.0 in.

Size (in. - H x W x D)

48.9 x 26.1 x 28.9 in.

Weight (kg)

92.1 kg

Weight (lb.)

203.1 lb.

Noise Level, Idle

30 dBA

Print Noise Level, Operating

56 dBA

Copy Noise Level, Operating

56 dBA

Scan Noise Level, Operating

57 dBA

Product Warranty

1-Year Onsite Service, Next Business Day

Product Certifications

Energy Star V1.2, Blue Angel (RAL-UZ-122), CAN/CSA-C22.2 60950-1, CSA E60825-1, ICES-003 Class A, BSMI Class A, CIS 13438, VCCI Class A, US FDA, FCC Class A, UL 60950-1, IEC 320-1, EN/IEC 60320-1, CE Class A, CB IEC 60950-1, EN 62311, EN 60950-1, EN/IEC 61000-3, EN 55022 Class A, EN 55024, EN/IEC 60825-1, GS (TUV), SEMKO, UL AR, CS, TÜV Rh, SMA C-tick mark Class A, CCC Class A, CISPIR 22 Class A, EK Mark, N Mark, ECMA-370, TED

Maximum Monthly Duty Cycle

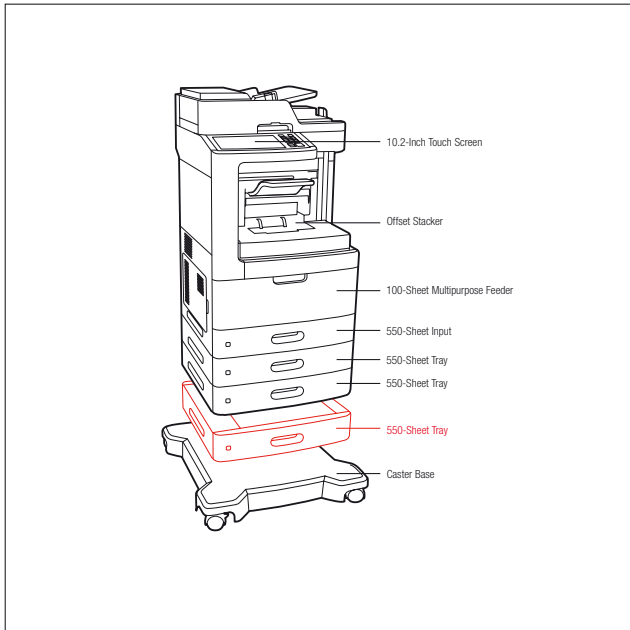
Up to 300000 pages per month

Recommended Monthly Page Volume

5000 - 35000 pages

Specified Operating Environment

Altitude: 0 - 2896 Meters (9,500 Feet), Humidity: 8 to 80% Relative Humidity, Temperature: 16 to 32°C (60 to 90°F)



Standard
 Optional

| Part # | Model |
|---------------|--|
| 24T7435 | Lexmark MX812dte |
| Part # | Laser Toner/Print Cartridge |
| 62D1X00 | 621X Extra High Yield Return Program Toner Cartridge |
| 62D1H00 | 621H High Yield Return Program Toner Cartridge |
| 62D1000 | 621 Return Program Toner Cartridge |
| 52D0Z00 | 520Z Black Return Program Imaging Unit |
| 62DOXA0 | 620XA Extra High Yield Toner Cartridge |
| 52DOZA0 | 520ZA Black Imaging Unit |
| Part # | Paper Handling |
| 24T7300 | 550-Sheet Tray |
| Part # | Memory Options |
| 57X9016 | 1024MBx32 DDR3-DRAM |
| 57X9012 | 2048MBx32 DDR3-DRAM |
| 57X9101 | 256MB Flash Memory Card |
| 57X9115 | Japanese Font Card |
| 57X9114 | Korean Font Card |
| 57X9112 | Simplified Chinese Font Card |
| 57X9110 | Traditional Chinese Font Card |
| Part # | Application Solutions |
| 24T7352 | Card for IPDS |
| 24T7351 | Forms and Bar Code Card |
| 24T7353 | Card for PRESCRIBE Emulation |
| Part # | Connectivity |
| 1021294 | USB Cable (2-meter) |
| 27X0225 | MarkNet N8350 802.11b/g/n Wireless Print Server |
| 14F0000 | Parallel 1284-B Interface Card |
| 1021231 | Parallel Cable (10-foot) |
| 14F0100 | RS-232C Serial Interface Card |
| Part # | Extended Warranties |
| 2355220 | MX812 2-Years Total (1+1) Onsite Service |
| 2355221 | MX812 3-Years Total (1+2) Onsite Service |
| 2355222 | MX812 4-Years Total (1+3) Onsite Service |
| 2355223 | MX812 5-Years Total (1+4) Onsite Service |
| 2355224 | MX812 1-Year Onsite Service Renewal |
| Part # | User Replaceable Parts |
| 40X8420 | Return Program Fuser Maintenance kit, 110-120V Type 00, Letter |
| 40X7743 | Return Program Fuser, 110-120V Type 00, Letter |
| 40X7706 | Roller Maintenance Kit |
| 40X8431 | ADF Maintenance Kit |
| 40X8425 | Fuser Maintenance kit, 110-120V, Type 05, Letter |
| 40X8016 | Fuser, 110-120V Type 05, Letter |



Lexmark MX812dfe

Meet our high performance star. The Lexmark MX812dfe saves time with blazing-fast processor, print, copy and scan speeds—and gives you the edge with solutions, a staple finisher and 2-sided printing.

Print Technology

Monochrome Laser

Function

Printing, Network Scanning, Faxing, Copying, Color Scanning

Display

Lexmark e-Task 10.2-inch (25.9 cm) color touch screen

Print Speed (Letter, Black)

Up to 70 ppm

Print Speed (Letter, Black) Duplex

Up to 42 ppm

Time to First Page (Black)

As fast as 4.0 seconds

Copy Speed (Letter, Black)

Up to 70 cpm

Time to First Copy (Black)

As fast as 4 seconds

Print Resolution, Black

600 x 600 dpi, 1200 Image Quality, 2400 Image Quality, 1200 x 1200 dpi

ADF Scan

DADF (Single Pass Duplex)

Optical Scanning Resolution

600 X 600 ppi (black), 300 X 300 ppi (color)

Processor

Dual Core, 800 MHz

Memory, Standard

1024 MB

Memory, Maximum

3072 MB

Hard Disk

Included in configuration

Expandable Memory Options

Yes

Apple Macintosh Operating Systems Supported

Mac OS X (10.5, 10.6, 10.7, 10.8)

Linux Operating Systems Supported

Fedora 14, 15, 16, 17, Red Hat Enterprise Linux WS 4.0, 5.0, 6.0, Linux Linux Desktop 9.6, SUSE Linux Enterprise Server 10, 11, SUSE Linux Enterprise Desktop 10, 11, Red Flag Linux Desktop 6.0, Debian GNU/Linux 5.0, 6.0, Ubuntu 11.04, 11.10, 12.04, Mint 9, 10, 11, 12, PCLinuxOS 2011.9, openSUSE 11.3, 11.4, 12.1

Microsoft Windows Operating Systems Supported

Server 2012, 8 x64, Server 2008 R2, Server 2008 R2 running Terminal Services, 8, Windows 7 x64, Server 2008 x64 running Terminal Services, Server 2008 x64, XP, Server 2003, XP x64, Server 2003 running Terminal Services, Server 2003 x64, Server 2003 x64 running Terminal Services, Vista, Vista x64, Server 2008, Server 2008 running Terminal Services, Windows 7

Novell Operating Systems Supported

Open Enterprise Server on SUSE Linux Enterprise Server, NetWare 5.1 (SP 6+), 6.0 (SP 3+) with Novell Distributed Print Services (NDPS), NetWare 6.5 Open Enterprise Server

UNIX Operating Systems Supported

IBM AIX 5.3, 6.1, 7.1, HP-UX 11.11, 11.23, 11.31, Sun Solaris SPARC 9, 10, Sun Solaris x86 10, 11

Included Paper Handling

550-Sheet Tray, 550-Sheet Output Bin, Integrated Duplex, Staple Finisher, 100-Sheet Multipurpose Feeder, 550-Sheet Input

Optional Paper Handling

550-Sheet Tray

Paper Input Capacity, Standard: Up to

1200 pages 20 lb or 75 gsm bond

Paper Input Capacity, Maximum: Up to

2300 pages 20 lb or 75 gsm bond

Paper Output Capacity, Standard: Up to

1050 pages 20 lb or 75 gsm bond

Paper Output Capacity, Maximum: Up to

1050 pages 20 lb or 75 gsm bond

ADF Paper Input Capacity

Up to 150 pages 20 lb or 75 gsm bond

Finishing Option

Standard

Number of Paper Inputs, Standard

3

Number of Paper Inputs, Maximum

5

Media Types Supported

Refer to the Card Stock & Label Guide, Paper Labels, Integrated Labels, Dual Web Labels, Card Stock, Envelopes, Transparencies, Plain Paper

Media Sizes Supported

A6, Oficio, Universal, Statement, Folio, DL Envelope, B5 Envelope, A4, 7 3/4 Envelope, 10 Envelope, 9 Envelope, A5, C5 Envelope, Executive, JIS-B5, Legal, Letter

Standard Ports

Rear USB 2.0 Specification Hi-Speed Certified Port (Type A), USB 2.0 Specification Hi-Speed Certified (Type B), One Internal Card Slot, Gigabit Ethernet (10/100/1000), Front USB 2.0 Specification Hi-Speed Certified Port (Type A)

Optional Network Ports

Internal MarkNet N8350 802.11b/g/n Wireless

Optional Local Ports

Internal 1284-B Bidirectional Parallel, Internal RS-232C serial

Network Printing Methods

IPP 1.0, 1.1, 2.0 (Internet Printing Protocol), FTP, TFTP, ThinPrint .print integration, Telnet, Enhanced IP (Port 9400), LPR/LPD, Direct IP (Port 9100)

Network Protocol Support

UDP, TCP, AppleTalk™, TCP/IP IPv4, TCP/IP IPv6

Network Security

IPSec, SNMPv3, 802.1x Authentication: MD5, MSCHAPv2, LEAP, PEAP, TLS, TTLS

Printer Languages (Standard)

PDF 1.7 emulation, PostScript 3 Emulation, PCL 5e Emulation, PCL 6 Emulation, Personal Printer Data Stream (PPDS), Direct Image, Microsoft XPS (XML Paper Specification)

Reduce / Enlarge Range

25 - 400 %

Scan Area, Maximum

215.9 x 355.6 mm

Scan Area, Maximum

8.5 x 14.0 inches

Modem Speed

ITU T.30, V.34 Half-Duplex, 33.6 Kbps

Laser Cartridge Yields

45,000*-page Extra High Yield Cartridge, 25,000*-page High Yield Cartridge, 6,000*-page Cartridge

Cartridge(s) Shipping with Product

25,000*-page High Yield Return Program Toner Cartridge

Replacement Cartridges:

Product functions only with replacement cartridges designed for use in a specific geographical region. See www.lexmark.com/regions for more details.

Packaged Size (mm - H x W x D)

1327 x 870 x 762 mm

Size (mm - H x W x D)

1133 x 663 x 734 mm

Packaged Size (in. - H x W x D)

52.24 x 34.25 x 30.0 in.

Size (in. - H x W x D)

44.6 x 26.1 x 28.9 in.

Weight (kg)

87.6 kg

Weight (lb.)

193.2 lb.

Noise Level, Idle

30 dBA

Print Noise Level, Operating

56 dBA

Copy Noise Level, Operating

56 dBA

Scan Noise Level, Operating

57 dBA

Product Warranty

1-Year Onsite Service, Next Business Day

Product Certifications

Energy Star V1.2, Blue Angel (RAL-UZ-122), CAN/CSA-C22.2 60950-1, CSA E60825-1, ICES-003 Class A, BSMI Class A, CIS 13438, VCCI Class A, US FDA, FCC Class A, UL 60950-1, IEC 320-1, EN/IEC 60320-1, CE Class A, CB IEC 60950-1, EN 62311, EN 60950-1, EN/IEC 61000-3, EN 55022 Class A, EN 55024, EN/IEC 60825-1, GS (TÜV), SEMKO, UL AR, GS, TÜV Rh, SMA C-tick mark Class A, CCC Class A, CISPIR 22 Class A, EK Mark, N Mark, ECMA-370, TED

Maximum Monthly Duty Cycle

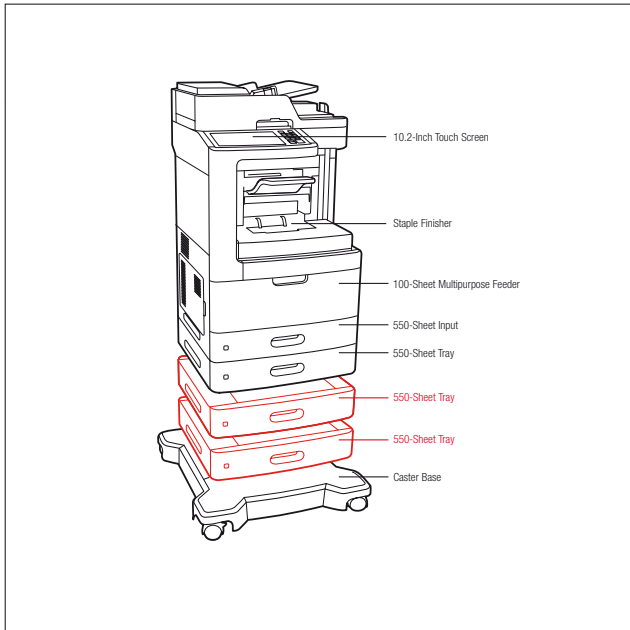
Up to 300000 pages per month

Recommended Monthly Page Volume

5000 - 35000 pages

Specified Operating Environment

Altitude: 0 - 2896 Meters (9,500 Feet), Humidity: 8 to 80% Relative Humidity, Temperature: 16 to 32°C (60 to 90°F)



Standard
 Optional

| | |
|---------------|--|
| Part # | Model |
| 24T7432 | Lexmark MX812dfe |
| Part # | Laser Toner/Print Cartridge |
| 62D1X00 | 621X Extra High Yield Return Program Toner Cartridge |
| 62D1H00 | 621H High Yield Return Program Toner Cartridge |
| 62D1000 | 621 Return Program Toner Cartridge |
| 52D0Z00 | 520Z Black Return Program Imaging Unit |
| 62DOXA0 | 620XA Extra High Yield Toner Cartridge |
| 52DOZA0 | 520ZA Black Imaging Unit |
| 25A0013 | Staple Cartridges (3 pack) |
| Part # | Paper Handling |
| 24T7300 | 550-Sheet Tray |
| Part # | Memory Options |
| 57X9016 | 1024MBx32 DDR3-DRAM |
| 57X9012 | 2048MBx32 DDR3-DRAM |
| 57X9101 | 256MB Flash Memory Card |
| 57X9115 | Japanese Font Card |
| 57X9114 | Korean Font Card |
| 57X9112 | Simplified Chinese Font Card |
| 57X9110 | Traditional Chinese Font Card |
| Part # | Application Solutions |
| 24T7352 | Card for IPDS |
| 24T7351 | Forms and Bar Code Card |
| 24T7353 | Card for PRESCRIBE Emulation |
| Part # | Connectivity |
| 1021294 | USB Cable (2-meter) |
| 27X0225 | MarkNet N8350 802.11b/g/n Wireless Print Server |
| 14F0000 | Parallel 1284-B Interface Card |
| 1021231 | Parallel Cable (10-foot) |
| 14F0100 | RS-232C Serial Interface Card |
| Part # | Extended Warranties |
| 2355220 | MX812 2-Years Total (1+1) Onsite Service |
| 2355221 | MX812 3-Years Total (1+2) Onsite Service |
| 2355222 | MX812 4-Years Total (1+3) Onsite Service |
| 2355223 | MX812 5-Years Total (1+4) Onsite Service |
| 2355224 | MX812 1-Year Onsite Service Renewal |
| Part # | User Replaceable Parts |
| 40X8420 | Return Program Fuser Maintenance kit, 110-120V Type 00, Letter |
| 40X7743 | Return Program Fuser, 110-120V Type 00, Letter |
| 40X7706 | Roller Maintenance Kit |
| 40X8431 | ADF Maintenance Kit |
| 40X8425 | Fuser Maintenance kit, 110-120V, Type 05, Letter |
| 40X8016 | Fuser, 110-120V Type 05, Letter |



Lexmark MX812dtfe

Meet our high performance start. The Lexmark MX812dtfe saves time with blazing-fast processor, print, copy and scan speeds—plus it packs productivity solutions, a staple finisher, more input capacity and 2-sided printing.

Print Technology

Monochrome Laser

Function

Printing, Network Scanning, Faxing, Copying, Color Scanning

Display

Lexmark e-Task 10.2-inch (25.9 cm) color touch screen

Print Speed (Letter, Black)

Up to 70 ppm

Print Speed (Letter, Black) Duplex

Up to 42 ppm

Time to First Page (Black)

As fast as 4.0 seconds

Copy Speed (Letter, Black)

Up to 70 cpm

Time to First Copy (Black)

As fast as 4 seconds

Print Resolution, Black

600 x 600 dpi, 1200 Image Quality, 2400 Image Quality, 1200 x 1200 dpi

ADF Scan

DADF (Single Pass Duplex)

Optical Scanning Resolution

600 X 600 ppi (black), 300 X 300 ppi (color)

Processor

Dual Core, 800 MHz

Memory, Standard

1024 MB

Memory, Maximum

3072 MB

Hard Disk

Included in configuration

Expandable Memory Options

Yes

Apple Macintosh Operating Systems Supported

Mac OS X (10.5, 10.6, 10.7, 10.8)

Linux Operating Systems Supported

Fedora 14, 15, 16, 17, Red Hat Enterprise Linux WS 4.0, 5.0, 6.0, Linpus Linux Desktop 9.6, SUSE Linux Enterprise Server 10, 11, SUSE Linux Enterprise Desktop 10, 11, Red Flag Linux Desktop 6.0, Debian GNU/Linux 5.0, 6.0, Ubuntu 11.04, 11.10, 12.04, Mint 9, 10, 11, 12, PCLinuxOS 2011.9, openSUSE 11.3, 11.4, 12.1

Microsoft Windows Operating Systems Supported

Server 2012, 8 x64, Server 2008 R2, Server 2008 R2 running Terminal Services, 8, Windows 7 x64, Server 2008 x64 running Terminal Services, Server 2008 x64, XP, Server 2003, XP x64, Server 2003 running Terminal Services, Server 2003 x64, Server 2003 x64 running Terminal Services, Vista, Vista x64, Server 2008, Server 2008 running Terminal Services, Windows 7

Novell Operating Systems Supported

Open Enterprise Server on SUSE Linux Enterprise Server, NetWare 5.1 (SP 6+), 6.0 (SP 3+) with Novell Distributed Print Services (NDPS), NetWare 6.5 Open Enterprise Server

UNIX Operating Systems Supported

IBM AIX 5.3, 6.1, 7.1, HP-UX 11.11, 11.23, 11.31, Sun Solaris SPARC 9, 10, Sun Solaris x86 10, 11

Included Paper Handling

2 x 550-Sheet Tray, Integrated Duplex, 100-Sheet Multipurpose Feeder, 550-Sheet Input, 550-Sheet Output Bin, Staple Finisher

Optional Paper Handling

550-Sheet Tray

Paper Input Capacity, Standard: Up to

1750 pages 20 lb or 75 gsm bond

Paper Input Capacity, Maximum: Up to

2300 pages 20 lb or 75 gsm bond

Paper Output Capacity, Standard: Up to

1050 pages 20 lb or 75 gsm bond

Paper Output Capacity, Maximum: Up to

1050 pages 20 lb or 75 gsm bond

ADF Paper Input Capacity

Up to 150 pages 20 lb or 75 gsm bond

Finishing Option

Standard

Number of Paper Inputs, Standard

4

Number of Paper Inputs, Maximum

5

Media Types Supported

Refer to the Card Stock & Label Guide, Paper Labels, Integrated Labels, Dual Web Labels, Card Stock, Envelopes, Transparencies, Plain Paper

Media Sizes Supported

A6, Oficio, Universal, Statement, Folio, DL Envelope, B5 Envelope, A4, 7 3/4 Envelope, 10 Envelope, 9 Envelope, A5, C5 Envelope, Executive, JIS-B5, Legal, Letter

Standard Ports

Rear USB 2.0 Specification Hi-Speed Certified Port (Type A), USB 2.0 Specification Hi-Speed Certified (Type B), One Internal Card Slot, Gigabit Ethernet (10/100/1000), Front USB 2.0 Specification Hi-Speed Certified Port (Type A)

Optional Network Ports

Internal MarkNet N8350 802.11b/g/n Wireless

Optional Local Ports

Internal 1284-B Bidirectional Parallel, Internal RS-232C serial

Network Printing Methods

IPP 1.0, 1.1, 2.0 (Internet Printing Protocol), FTP, TFTP, ThinPrint .print integration, Telnet, Enhanced IP (Port 9400), LPR/LPD, Direct IP (Port 9100)

Network Protocol Support

UDP, TCP, AppleTalk™, TCP/IP IPv4, TCP/IP IPv6

Network Security

IPSec, SNMPv3, 802.1x Authentication: MD5, MSCHAPv2, LEAP, PEAP, TLS, TTLS

Printer Languages (Standard)

PDF 1.7 emulation, PostScript 3 Emulation, PCL 5e Emulation, PCL 6 Emulation, Personal Printer Data Stream (PPDS), Direct Image, Microsoft XPS (XML Paper Specification)

Reduce / Enlarge Range

25 - 400 %

Scan Area, Maximum

215.9 x 355.6 mm

Scan Area, Maximum

8.5 x 14.0 inches

Modem Speed

ITU T.30, V.34 Half-Duplex, 33.6 Kbps

Laser Cartridge Yields

45,000*-page Extra High Yield Cartridge, 25,000*-page High Yield Cartridge, 6,000*-page Cartridge

Cartridge(s) Shipping with Product

25,000*-page High Yield Return Program Toner Cartridge

Replacement Cartridges:

Product functions only with replacement cartridges designed for use in a specific geographical region. See www.lexmark.com/regions for more details.

Packaged Size (mm - H x W x D)

1442 x 870 x 762 mm

Size (mm - H x W x D)

1243 x 663 x 734 mm

Packaged Size (in. - H x W x D)

56.77 x 34.25 x 30.0 in.

Size (in. - H x W x D)

48.9 x 26.1 x 28.9 in.

Weight (kg)

94.6 kg

Weight (lb.)

208.6 lb.

Noise Level, Idle

30 dBA

Print Noise Level, Operating

56 dBA

Copy Noise Level, Operating

56 dBA

Scan Noise Level, Operating

57 dBA

Product Warranty

1-Year Onsite Service, Next Business Day

Product Certifications

Energy Star V1.2, Blue Angel (RAL-UZ-122), CAN/CSA-C22.2 60950-1, CSA E60825-1, ICES-003 Class A, BSMI Class A, CIS 13438, VCCI Class A, US FDA, FCC Class A, UL 60950-1, IEC 320-1, EN/IEC 60320-1, CE Class A, CB IEC 60950-1, EN 62311, EN 60950-1, EN/IEC 61000-3, EN 55022 Class A, EN 55024, EN/IEC 60825-1, GS (TÜV), SEMKO, UL AR, CS, TÜV Rh, SMA C-tick mark Class A, CCC Class A, CISPIR 22 Class A, EK Mark, N Mark, ECMA-370, TED

Maximum Monthly Duty Cycle

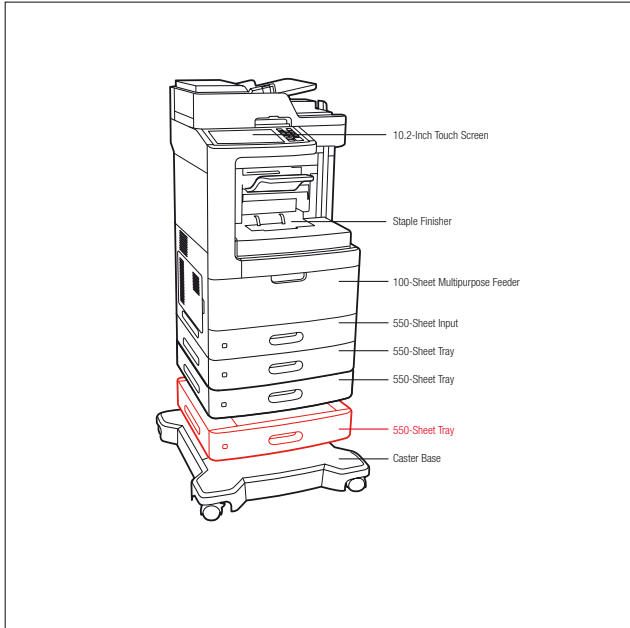
Up to 300000 pages per month

Recommended Monthly Page Volume

5000 - 35000 pages

Specified Operating Environment

Altitude: 0 - 2896 Meters (9,500 Feet), Humidity: 8 to 80% Relative Humidity, Temperature: 16 to 32°C (60 to 90°F)



Standard
 Optional

| | |
|---------------|--|
| Part # | Model |
| 24T7436 | Lexmark MX812dtfe |
| Part # | Laser Toner/Print Cartridge |
| 62D1X00 | 621X Extra High Yield Return Program Toner Cartridge |
| 62D1H00 | 621H High Yield Return Program Toner Cartridge |
| 62D1000 | 621 Return Program Toner Cartridge |
| 52D0Z00 | 520Z Black Return Program Imaging Unit |
| 62DOXA0 | 620XA Extra High Yield Toner Cartridge |
| 52DOZA0 | 520ZA Black Imaging Unit |
| 25A0013 | Staple Cartridges (3 pack) |
| Part # | Paper Handling |
| 24T7300 | 550-Sheet Tray |
| Part # | Memory Options |
| 57X9016 | 1024MBx32 DDR3-DRAM |
| 57X9012 | 2048MBx32 DDR3-DRAM |
| 57X9101 | 256MB Flash Memory Card |
| 57X9115 | Japanese Font Card |
| 57X9114 | Korean Font Card |
| 57X9112 | Simplified Chinese Font Card |
| 57X9110 | Traditional Chinese Font Card |
| Part # | Application Solutions |
| 24T7352 | Card for IPDS |
| 24T7351 | Forms and Bar Code Card |
| 24T7353 | Card for PRESCRIBE Emulation |
| Part # | Connectivity |
| 1021294 | USB Cable (2-meter) |
| 27X0225 | MarkNet N8350 802.11b/g/n Wireless Print Server |
| 14F0000 | Parallel 1284-B Interface Card |
| 1021231 | Parallel Cable (10-foot) |
| 14F0100 | RS-232C Serial Interface Card |
| Part # | Extended Warranties |
| 2355220 | MX812 2-Years Total (1+1) Onsite Service |
| 2355221 | MX812 3-Years Total (1+2) Onsite Service |
| 2355222 | MX812 4-Years Total (1+3) Onsite Service |
| 2355223 | MX812 5-Years Total (1+4) Onsite Service |
| 2355224 | MX812 1-Year Onsite Service Renewal |
| Part # | User Replaceable Parts |
| 40X8420 | Return Program Fuser Maintenance kit, 110-120V Type 00, Letter |
| 40X7743 | Return Program Fuser, 110-120V Type 00, Letter |
| 40X7706 | Roller Maintenance Kit |
| 40X8431 | ADF Maintenance Kit |
| 40X8425 | Fuser Maintenance kit, 110-120V, Type 05, Letter |
| 40X8016 | Fuser, 110-120V Type 05, Letter |



Lexmark MX812dme

Meet our high performance star. The Lexmark MX812dme saves time with blazing-fast processor, print, copy and scan speeds—and gives you the edge with solutions, a mailbox and 2-sided printing.

Print Technology

Monochrome Laser

Function

Printing, Network Scanning, Faxing, Copying, Color Scanning

Display

Lexmark e-Task 10.2-inch (25.9 cm) color touch screen

Print Speed (Letter, Black)

Up to 70 ppm

Print Speed (Letter, Black) Duplex

Up to 42 ppm

Time to First Page (Black)

As fast as 4.0 seconds

Copy Speed (Letter, Black)

Up to 70 cpm

Time to First Copy (Black)

As fast as 4 seconds

Print Resolution, Black

600 x 600 dpi, 1200 Image Quality, 2400 Image Quality, 1200 x 1200 dpi

ADF Scan

DADF (Single Pass Duplex)

Optical Scanning Resolution

600 X 600 ppi (black), 300 X 300 ppi (color)

Processor

Dual Core, 800 MHz

Memory, Standard

1024 MB

Memory, Maximum

3072 MB

Hard Disk

Included in configuration

Expandable Memory Options

Yes

Apple Macintosh Operating Systems Supported

Mac OS X (10.5, 10.6, 10.7, 10.8)

Linux Operating Systems Supported

Fedora 14, 15, 16, 17, Red Hat Enterprise Linux WS 4.0, 5.0, 6.0, Linux Desktop 9.6, SUSE Linux Enterprise Server 10, 11, SUSE Linux Enterprise Desktop 10, 11, Red Hat Linux Desktop 6.0, Debian GNU/Linux 5.0, 6.0, Ubuntu 11.04, 11.10, 12.04, Mint 9, 10, 11, 12, PCLinuxOS 2011.9, openSUSE 11.3, 11.4, 12.1

Microsoft Windows Operating Systems Supported

Server 2012, 8 x64, Server 2008 R2, Server 2008 R2 running Terminal Services, 8, Windows 7 x64, Server 2008 x64 running Terminal Services, Server 2008 x64, XP, Server 2003, XP x64, Server 2003 running Terminal Services, Server 2003 x64, Server 2003 x64 running Terminal Services, Vista, Vista x64, Server 2008, Server 2008 running Terminal Services, Windows 7

Novell Operating Systems Supported

Open Enterprise Server on SUSE Linux Enterprise Server, NetWare 5.1 (SP 6+), 6.0 (SP 3+) with Novell Distributed Print Services (NDPS), NetWare 6.5 Open Enterprise Server

UNIX Operating Systems Supported

IBM AIX 5.3, 6.1, 7.1, HP-UX 11.11, 11.23, 11.31, Sun Solaris SPARC 9, 10, Sun Solaris x86 10, 11

Included Paper Handling

550-Sheet Tray, Integrated Duplex, 100-Sheet Multipurpose Feeder, 550-Sheet Input, 550-Sheet Output Bin, 4-Bin Mailbox

Optional Paper Handling

550-Sheet Tray

Paper Input Capacity, Standard: Up to

1200 pages 20 lb or 75 gsm bond

Paper Input Capacity, Maximum: Up to

2300 pages 20 lb or 75 gsm bond

Paper Output Capacity, Standard: Up to

950 pages 20 lb or 75 gsm bond

Paper Output Capacity, Maximum: Up to

950 pages 20 lb or 75 gsm bond

ADF Paper Input Capacity

Up to 150 pages 20 lb or 75 gsm bond

Finishing Option

Standard

Number of Paper Inputs, Standard

3

Number of Paper Inputs, Maximum

5

Media Types Supported

Refer to the Card Stock & Label Guide, Paper Labels, Integrated Labels, Dual Web Labels, Card Stock, Envelopes, Transparencies, Plain Paper

Media Sizes Supported

A6, Oficio, Universal, Statement, Folio, DL Envelope, B5 Envelope, A4, 7 3/4 Envelope, 10 Envelope, 9 Envelope, A5, C5 Envelope, Executive, JIS-B5, Legal, Letter

Standard Ports

Rear USB 2.0 Specification Hi-Speed Certified Port (Type A), USB 2.0 Specification Hi-Speed Certified (Type B), One Internal Card Slot, Gigabit Ethernet (10/100/1000), Front USB 2.0 Specification Hi-Speed Certified Port (Type A)

Optional Network Ports

Internal MarkNet N8350 802.11b/g/n Wireless

Optional Local Ports

Internal 1284-B Bidirectional Parallel, Internal RS-232C serial

Network Printing Methods

IPP 1.0, 1.1, 2.0 (Internet Printing Protocol), FTP, TFTP, ThinPrint .print integration, Telnet, Enhanced IP (Port 9400), LPR/LPD, Direct IP (Port 9100)

Network Protocol Support

UDP, TCP, AppleTalk™, TCP/IP IPv4, TCP/IP IPv6

Network Security

IPSec, SNMPv3, 802.1x Authentication: MD5, MSCHAPv2, LEAP, PEAP, TLS, TTLS

Printer Languages (Standard)

PDF 1.7 emulation, PostScript 3 Emulation, PCL 5e Emulation, PCL 6 Emulation, Personal Printer Data Stream (PPDS), Direct Image, Microsoft XPS (XML Paper Specification)

Reduce / Enlarge Range

25 - 400 %

Scan Area, Maximum

215.9 x 355.6 mm

Scan Area, Maximum

8.5 x 14.0 inches

Modem Speed

ITU T.30, V.34 Half-Duplex, 33.6 Kbps

Laser Cartridge Yields

45,000*-page Extra High Yield Cartridge, 25,000*-page High Yield Cartridge, 6,000*-page Cartridge

Cartridge(s) Shipping with Product

25,000*-page High Yield Return Program Toner Cartridge

Replacement Cartridges:

Product functions only with replacement cartridges designed for use in a specific geographical region. See www.lexmark.com/regions for more details.

Packaged Size (mm - H x W x D)

1327 x 870 x 762 mm

Size (mm - H x W x D)

1133 x 663 x 734 mm

Packaged Size (in. - H x W x D)

52.24 x 34.25 x 30.0 in.

Size (in. - H x W x D)

44.6 x 26.1 x 28.9 in.

Weight (kg)

86.5 kg

Weight (lb.)

190.8 lb.

Noise Level, Idle

30 dBA

Print Noise Level, Operating

56 dBA

Copy Noise Level, Operating

56 dBA

Scan Noise Level, Operating

57 dBA

Product Warranty

1-Year Onsite Service, Next Business Day

Product Certifications

Energy Star V1.2, Blue Angel (RAL-UZ-122), CAN/CSA-C22.2 60950-1, CSA E60825-1, ICES-003 Class A, BSMI Class A, CIS 13438, VCCI Class A, US FDA, FCC Class A, UL 60950-1, IEC 320-1, EN/IEC 60320-1, CE Class A, CB IEC 60950-1, EN 62311, EN 60950-1, EN/IEC 61000-3, EN 55022 Class A, EN 55024, EN/IEC 60825-1, GS (TUV), SEMKO, UL AR, GS, TÜV Rh, SMA C-tick mark Class A, CCC Class A, CISPIR 22 Class A, EK Mark, N Mark, ECMA-370, TED

Maximum Monthly Duty Cycle

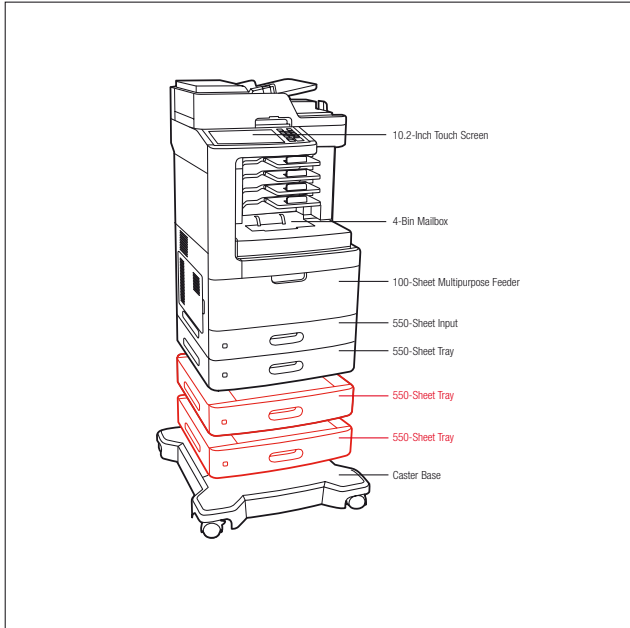
Up to 300000 pages per month

Recommended Monthly Page Volume

5000 - 35000 pages

Specified Operating Environment

Altitude: 0 - 2896 Meters (9,500 Feet), Humidity: 8 to 80% Relative Humidity, Temperature: 16 to 32°C (60 to 90°F)



Standard
 Optional

| Part # | Model |
|---------|--|
| 24T7434 | Lexmark MX812dme |
| Part # | Laser Toner/Print Cartridge |
| 62D1X00 | 621X Extra High Yield Return Program Toner Cartridge |
| 62D1H00 | 621H High Yield Return Program Toner Cartridge |
| 62D1000 | 621 Return Program Toner Cartridge |
| 52D0Z00 | 520Z Black Return Program Imaging Unit |
| 62DOXA0 | 620XA Extra High Yield Toner Cartridge |
| 52DOZA0 | 520ZA Black Imaging Unit |
| Part # | Paper Handling |
| 24T7300 | 550-Sheet Tray |
| Part # | Memory Options |
| 57X9016 | 1024MBx32 DDR3-DRAM |
| 57X9012 | 2048MBx32 DDR3-DRAM |
| 57X9101 | 256MB Flash Memory Card |
| 57X9115 | Japanese Font Card |
| 57X9114 | Korean Font Card |
| 57X9112 | Simplified Chinese Font Card |
| 57X9110 | Traditional Chinese Font Card |
| Part # | Application Solutions |
| 24T7352 | Card for IPDS |
| 24T7351 | Forms and Bar Code Card |
| 24T7353 | Card for PRESCRIBE Emulation |
| Part # | Connectivity |
| 1021294 | USB Cable (2-meter) |
| 27X0225 | MarkNet N8350 802.11b/g/n Wireless Print Server |
| 14F0000 | Parallel 1284-B Interface Card |
| 1021231 | Parallel Cable (10-foot) |
| 14F0100 | RS-232C Serial Interface Card |
| Part # | Extended Warranties |
| 2355220 | MX812 2-Years Total (1+1) Onsite Service |
| 2355221 | MX812 3-Years Total (1+2) Onsite Service |
| 2355222 | MX812 4-Years Total (1+3) Onsite Service |
| 2355223 | MX812 5-Years Total (1+4) Onsite Service |
| 2355224 | MX812 1-Year Onsite Service Renewal |
| Part # | User Replaceable Parts |
| 40X8420 | Return Program Fuser Maintenance kit, 110-120V Type 00, Letter |
| 40X7743 | Return Program Fuser, 110-120V Type 00, Letter |
| 40X7706 | Roller Maintenance Kit |
| 40X8431 | ADF Maintenance Kit |
| 40X8425 | Fuser Maintenance kit, 110-120V, Type 05, Letter |
| 40X8016 | Fuser, 110-120V Type 05, Letter |



Lexmark MX812dtn

Meet our high performance star. The Lexmark MX812dtn saves time with blazing-fast processor, print, copy and scan speeds—and gives you the edge with solutions, a mailbox, an extra paper tray and 2-sided printing.

Print Technology

Monochrome Laser

Function

Printing, Network Scanning, Faxing, Copying, Color Scanning

Display

Lexmark e-Task 10.2-inch (25.9 cm) color touch screen

Print Speed (Letter, Black)

Up to 70 ppm

Print Speed (Letter, Black) Duplex

Up to 42 ppm

Time to First Page (Black)

As fast as 4.0 seconds

Copy Speed (Letter, Black)

Up to 70 cpm

Time to First Copy (Black)

As fast as 4 seconds

Print Resolution, Black

600 x 600 dpi, 1200 Image Quality, 2400 Image Quality, 1200 x 1200 dpi

ADF Scan

DADF (Single Pass Duplex)

Optical Scanning Resolution

600 X 600 ppi (black), 300 X 300 ppi (color)

Processor

Dual Core, 800 MHz

Memory, Standard

1024 MB

Memory, Maximum

3072 MB

Hard Disk

Included in configuration

Expandable Memory Options

Yes

Apple Macintosh Operating Systems Supported

Mac OS X (10.5, 10.6, 10.7, 10.8)

Linux Operating Systems Supported

Fedora 14, 15, 16, 17, Red Hat Enterprise Linux WS 4.0, 5.0, 6.0, Linux Desktop 9.6, SUSE Linux Enterprise Server 10, 11, SUSE Linux Enterprise Desktop 10, 11, Red Hat Linux Desktop 6.0, Debian GNU/Linux 5.0, 6.0, Ubuntu 11.04, 11.10, 12.04, Mint 9, 10, 11, 12, PCLinuxOS 2011.9, openSUSE 11.3, 11.4, 12.1

Microsoft Windows Operating Systems Supported

Server 2012, 8 x64, Server 2008 R2, Server 2008 R2 running Terminal Services, 8, Windows 7 x64, Server 2008 x64 running Terminal Services, Server 2008 x64, XP, Server 2003, XP x64, Server 2003 running Terminal Services, Server 2003 x64, Server 2003 x64 running Terminal Services, Vista, Vista x64, Server 2008, Server 2008 running Terminal Services, Windows 7

Novell Operating Systems Supported

Open Enterprise Server on SUSE Linux Enterprise Server, NetWare 5.1 (SP 6+), 6.0 (SP 3+) with Novell Distributed Print Services (NDPS), NetWare 6.5 Open Enterprise Server

UNIX Operating Systems Supported

IBM AIX 5.3, 6.1, 7.1, HP-UX 11.11, 11.23, 11.31, Sun Solaris SPARC 9, 10, Sun Solaris x86 10, 11

Included Paper Handling

2 x 550-Sheet Tray, Integrated Duplex, 100-Sheet Multipurpose Feeder, 550-Sheet Input, 550-Sheet Output Bin, 4-Bin Mailbox

Optional Paper Handling

550-Sheet Tray

Paper Input Capacity, Standard: Up to

1750 pages 20 lb or 75 gsm bond

Paper Input Capacity, Maximum: Up to

2300 pages 20 lb or 75 gsm bond

Paper Output Capacity, Standard: Up to

950 pages 20 lb or 75 gsm bond

Paper Output Capacity, Maximum: Up to

950 pages 20 lb or 75 gsm bond

ADF Paper Input Capacity

Up to 150 pages 20 lb or 75 gsm bond

Finishing Option

Standard

Number of Paper Inputs, Standard

4

Number of Paper Inputs, Maximum

5

Media Types Supported

Refer to the Card Stock & Label Guide, Paper Labels, Integrated Labels, Dual Web Labels, Card Stock, Envelopes, Transparencies, Plain Paper

Media Sizes Supported

A6, Oficio, Universal, Statement, Folio, DL Envelope, B5 Envelope, A4, 7 3/4 Envelope, 10 Envelope, 9 Envelope, A5, C5 Envelope, Executive, JIS-B5, Legal, Letter

Standard Ports

Rear USB 2.0 Specification Hi-Speed Certified Port (Type A), USB 2.0 Specification Hi-Speed Certified (Type B), One Internal Card Slot, Gigabit Ethernet (10/100/1000), Front USB 2.0 Specification Hi-Speed Certified Port (Type A)

Optional Network Ports

Internal MarkNet N8350 802.11b/g/n Wireless

Optional Local Ports

Internal L284-B Bidirectional Parallel, Internal RS-232C serial

Network Printing Methods

IPP 1.0, 1.1, 2.0 (Internet Printing Protocol), FTP, TFTP, ThinPrint .print integration, Telnet, Enhanced IP (Port 9400), LPR/LPD, Direct IP (Port 9100)

Network Protocol Support

UDP, TCP, AppleTalk™, TCP/IP IPv4, TCP/IP IPv6

Network Security

IPSec, SNMPv3, 802.1x Authentication: MD5, MSCHAPv2, LEAP, PEAP, TLS, TTLS

Printer Languages (Standard)

PDF 1.7 emulation, PostScript 3 Emulation, PCL 5e Emulation, PCL 6 Emulation, Personal Printer Data Stream (PPDS), Direct Image, Microsoft XPS (XML Paper Specification)

Reduce / Enlarge Range

25 - 400 %

Scan Area, Maximum

215.9 x 355.6 mm

Scan Area, Maximum

8.5 x 14.0 inches

Modem Speed

ITU T.30, V.34 Half-Duplex, 33.6 Kbps

Laser Cartridge Yields

45,000*-page Extra High Yield Cartridge, 25,000*-page High Yield Cartridge, 6,000*-page Cartridge

Cartridge(s) Shipping with Product

25,000*-page High Yield Return Program Toner Cartridge

Replacement Cartridges:

Product functions only with replacement cartridges designed for use in a specific geographical region. See www.lexmark.com/regions for more details.

Packaged Size (mm - H x W x D)

1442 x 870 x 762 mm

Size (mm - H x W x D)

1243 x 663 x 734 mm

Packaged Size (in. - H x W x D)

56.77 x 34.25 x 30.0 in.

Size (in. - H x W x D)

48.9 x 26.1 x 28.9 in.

Weight (kg)

93.5 kg

Weight (lb.)

206.4 lb.

Noise Level, Idle

30 dBA

Print Noise Level, Operating

56 dBA

Copy Noise Level, Operating

56 dBA

Scan Noise Level, Operating

57 dBA

Product Warranty

1-Year Onsite Service, Next Business Day

Product Certifications

Energy Star V1.2, Blue Angel (RAL-LZ-122), CAN/CSA-C22.2 60950-1, CSA E60825-1, ICES-003 Class A, BSMI Class A, CIS 13438, VCCI Class A, US FDA, FCC Class A, UL 60950-1, IEC 320-1, EN/IEC 60320-1, CE Class A, CB IEC 60950-1, EN 62311, EN 60950-1, EN/IEC 61000-3, EN 55022 Class A, EN 55024, EN/IEC 60825-1, GS (TÜV), SEMKO, UL AR, GS, TÜV Rh, SMA C-tick mark Class A, CCC Class A, CISPIR 22 Class A, EK Mark, N Mark, ECMA-370, TED

Maximum Monthly Duty Cycle

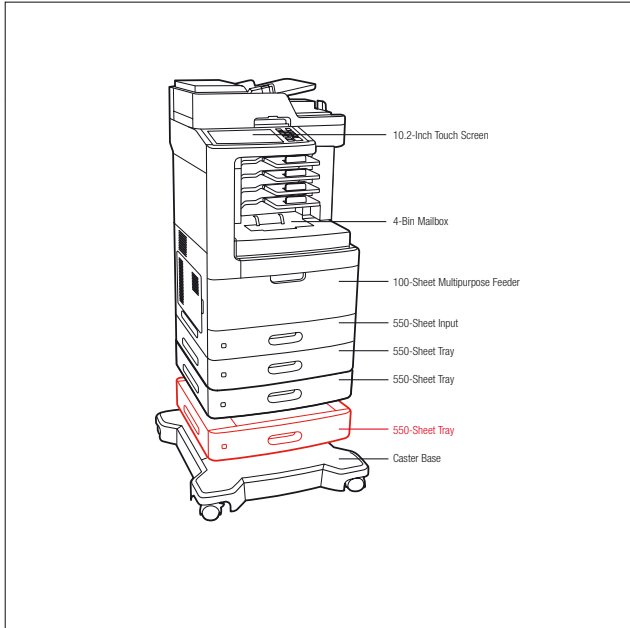
Up to 300000 pages per month

Recommended Monthly Page Volume

5000 - 35000 pages

Specified Operating Environment

Altitude: 0 - 2896 Meters (9,500 Feet), Humidity: 8 to 80% Relative Humidity, Temperature: 16 to 32°C (60 to 90°F)



Standard
 Optional

| Part # | Model |
|---------|--|
| 24T7438 | Lexmark MX812dtme |
| Part # | Laser Toner/Print Cartridge |
| 62D1X00 | 621X Extra High Yield Return Program Toner Cartridge |
| 62D1H00 | 621H High Yield Return Program Toner Cartridge |
| 62D1000 | 621 Return Program Toner Cartridge |
| 52D0Z00 | 520Z Black Return Program Imaging Unit |
| 62D0XA0 | 620XA Extra High Yield Toner Cartridge |
| 52D0ZA0 | 520ZA Black Imaging Unit |
| Part # | Paper Handling |
| 24T7300 | 550-Sheet Tray |
| Part # | Memory Options |
| 57X9016 | 1024MBx32 DDR3-DRAM |
| 57X9012 | 2048MBx32 DDR3-DRAM |
| 57X9101 | 256MB Flash Memory Card |
| 57X9115 | Japanese Font Card |
| 57X9114 | Korean Font Card |
| 57X9112 | Simplified Chinese Font Card |
| 57X9110 | Traditional Chinese Font Card |
| Part # | Application Solutions |
| 24T7352 | Card for IPDS |
| 24T7351 | Forms and Bar Code Card |
| 24T7353 | Card for PRESCRIBE Emulation |
| Part # | Connectivity |
| 1021294 | USB Cable (2-meter) |
| 27X0225 | MarkNet N8350 802.11b/g/n Wireless Print Server |
| 14F0000 | Parallel 1284-B Interface Card |
| 1021231 | Parallel Cable (10-foot) |
| 14F0100 | RS-232C Serial Interface Card |
| Part # | Extended Warranties |
| 2355220 | MX812 2-Years Total (1+1) Onsite Service |
| 2355221 | MX812 3-Years Total (1+2) Onsite Service |
| 2355222 | MX812 4-Years Total (1+3) Onsite Service |
| 2355223 | MX812 5-Years Total (1+4) Onsite Service |
| 2355224 | MX812 1-Year Onsite Service Renewal |
| Part # | User Replaceable Parts |
| 40X8420 | Return Program Fuser Maintenance kit, 110-120V Type 00, Letter |
| 40X7743 | Return Program Fuser, 110-120V Type 00, Letter |
| 40X7706 | Roller Maintenance Kit |
| 40X8431 | ADF Maintenance Kit |
| 40X8425 | Fuser Maintenance kit, 110-120V, Type 05, Letter |
| 40X8016 | Fuser, 110-120V Type 05, Letter |



Lexmark MX812dxe

Meet our high performance star. The Lexmark MX812dxe saves time with blazing-fast processor, print, copy and scan speeds—and gives you the edge with solutions, extra input capacity and 2-sided printing.

Print Technology

Monochrome Laser

Function

Printing, Network Scanning, Faxing, Copying, Color Scanning

Display

Lexmark e-Task 10.2-inch (25.9 cm) color touch screen

Print Speed (Letter, Black)

Up to 70 ppm

Print Speed (Letter, Black) Duplex

Up to 42 ppm

Time to First Page (Black)

As fast as 4.0 seconds

Copy Speed (Letter, Black)

Up to 70 ppm

Time to First Copy (Black)

As fast as 4 seconds

Print Resolution, Black

600 x 600 dpi, 1200 Image Quality, 2400 Image Quality, 1200 x 1200 dpi

ADF Scan

DADF (Single Pass Duplex)

Optical Scanning Resolution

600 X 600 ppi (black), 300 X 300 ppi (color)

Processor

Dual Core, 800 MHz

Memory, Standard

1024 MB

Memory, Maximum

3072 MB

Hard Disk

Included in configuration

Expandable Memory Options

Yes

Apple Macintosh Operating Systems Supported

Mac OS X (10.5, 10.6, 10.7, 10.8)

Linux Operating Systems Supported

Fedora 14, 15, 16, 17, Red Hat Enterprise Linux WS 4.0, 5.0, 6.0, Linpus Linux Desktop 9.6, SUSE Linux Enterprise Server 10, 11, SUSE Linux Enterprise Desktop 10, 11, Red Hat Linux Desktop 6.0, Debian GNU/Linux 5.0, 6.0, Ubuntu 11.04, 11.10, 12.04, Mint 9, 10, 11, 12, PCLinuxOS 2011.9, openSUSE 11.3, 11.4, 12.1

Microsoft Windows Operating Systems Supported

Server 2012, 8 x64, Server 2008 R2, Server 2008 R2 running Terminal Services, 8, Windows 7 x64, Server 2008 x64 running Terminal Services, Server 2008 x64, XP, Server 2003, XP x64, Server 2003 running Terminal Services, Server 2003 x64, Server 2003 x64 running Terminal Services, Vista, Vista x64, Server 2008, Server 2008 running Terminal Services, Windows 7

Novell Operating Systems Supported

Open Enterprise Server on SUSE Linux Enterprise Server, NetWare 5.1 (SP 6+), 6.0 (SP 3+) with Novell Distributed Print Services (NDPS), NetWare 6.5 Open Enterprise Server

UNIX Operating Systems Supported

IBM AIX 5.3, 6.1, 7.1, HP-UX 11.11, 11.23, 11.31, Sun Solaris SPARC 9, 10, Sun Solaris x86 10, 11

Included Paper Handling

2100-Sheet Tray, Offset Stacker, 550-Sheet Input, 100-Sheet Multipurpose Feeder, 550-Sheet Output Bin, Integrated Duplex

Paper Input Capacity, Standard: Up to

2750 pages 20 lb or 75 gsm bond

Paper Input Capacity, Maximum: Up to

2750 pages 20 lb or 75 gsm bond

Paper Output Capacity, Standard: Up to

1050 pages 20 lb or 75 gsm bond

Paper Output Capacity, Maximum: Up to

1050 pages 20 lb or 75 gsm bond

UP Paper Input Capacity

Up to 150 pages 20 lb or 75 gsm bond

Finishing Option

Standard

Number of Paper Inputs, Standard

3

Number of Paper Inputs, Maximum

3

Media Types Supported

Refer to the Card Stock & Label Guide, Paper Labels, Integrated Labels, Dual Web Labels, Card Stock, Envelopes, Transparencies, Plain Paper

Media Sizes Supported

A6, Oficio, Universal, Statement, Folio, DL Envelope, B5 Envelope, A4, 7 3/4 Envelope, 10 Envelope, 9 Envelope, A5, C5 Envelope, Executive, JIS-B5, Legal, Letter

Standard Ports

Rear USB 2.0 Specification Hi-Speed Certified Port (Type A), USB 2.0 Specification Hi-Speed Certified (Type B), One Internal Card Slot, Gigabit Ethernet (10/100/1000), Front USB 2.0 Specification Hi-Speed Certified Port (Type A)

Optional Network Ports

Internal MarkNet N8350 802.11b/g/n Wireless

Optional Local Ports

Internal 1284-B Bidirectional Parallel, Internal RS-232C serial

Network Printing Methods

IPP 1.0, 1.1, 2.0 (Internet Printing Protocol), FTP, TFTP, ThinPrint, print integration, Telnet, Enhanced IP (Port 9400), LPR/LPD, Direct IP (Port 9100)

Network Protocol Support

UDP, TCP, AppleTalk™, TCP/IP IPv4, TCP/IP IPv6

Network Security

IPSec, SNMPv3, 802.1x Authentication: MD5, MSCHAPv2, LEAP, PEAP, TLS, TTLS

Printer Languages (Standard)

PDF 1.7 emulation, PostScript 3 Emulation, PCL 5e Emulation, PCL 6 Emulation, Personal Printer Data Stream (PPDS), Direct Image, Microsoft XPS (XML Paper Specification)

Reduce / Enlarge Range

25 - 400 %

Scan Area, Maximum

215.9 x 355.6 mm

Scan Area, Maximum

8.5 x 14.0 inches

Modem Speed

ITU T.30, V.34 Half-Duplex, 33.6 Kbps

Laser Cartridge Yields

45,000*-page Extra High Yield Cartridge, 25,000*-page High Yield Cartridge, 6,000*-page Cartridge

Cartridge(s) Shipping with Product

25,000*-page High Yield Return Program Toner Cartridge

Replacement Cartridges:

Product functions only with replacement cartridges designed for use in a specific geographical region. See www.lexmark.com/regions for more details.

Packaged Size (mm - H x W x D)

1567 x 870 x 762 mm

Size (mm - H x W x D)

1374 x 663 x 734 mm

Packaged Size (in. - H x W x D)

61.69 x 34.25 x 30.0 in.

Size (in. - H x W x D)

54.1 x 26.1 x 28.9 in.

Weight (kg)

97.5 kg

Weight (lb.)

214.9 lb.

Noise Level, Idle

30 dBA

Print Noise Level, Operating

56 dBA

Copy Noise Level, Operating

56 dBA

Scan Noise Level, Operating

57 dBA

Product Warranty

1-Year Onsite Service, Next Business Day

Product Certifications

Energy Star V1.2, Blue Angel (RAL-UZ-122), CAN/CSA-C22.2 60950-1, CSA E60825-1, ICES-003 Class A, BSMI Class A, CNS 13438, VCCI Class A, US FDA, FCC Class A, UL 60950-1, IEC 320-1, EN/IEC 60320-1, CE Class A, CB IEC 60950-1, EN 62311, EN 60950-1, EN/IEC 61000-3, EN 55022 Class A, EN 55024, EN/IEC 60825-1, GS (TUV), SEMKO, UL AR, CS, TÜV Rh, SMA C-lick mark Class A, CCC Class A, CISPIR 22 Class A, EK Mark, N Mark, ECMA-370, TED

Maximum Monthly Duty Cycle

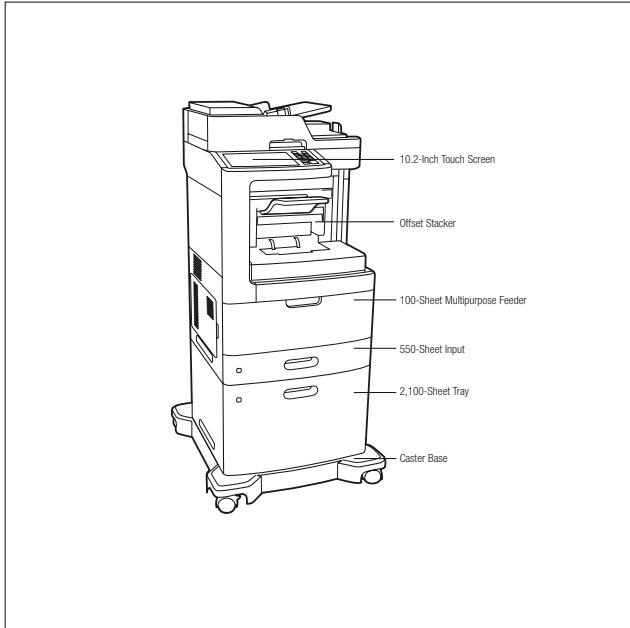
Up to 300,000 pages per month

Recommended Monthly Page Volume

5000 - 35,000 pages

Specified Operating Environment

Altitude: 0 - 2896 Meters (9,500 Feet); Humidity: 8 to 90% Relative Humidity; Temperature: 16 to 32°C (60 to 90°F)



Standard
 Optional

| | |
|---------------|--|
| Part # | Model |
| 24T7439 | Lexmark MX812dxe |
| Part # | Laser Toner/Print Cartridge |
| 62D1X00 | 621X Extra High Yield Return Program Toner Cartridge |
| 62D1H00 | 621H High Yield Return Program Toner Cartridge |
| 62D1000 | 621 Return Program Toner Cartridge |
| 52D0Z00 | 520Z Black Return Program Imaging Unit |
| 62D0XA0 | 620XA Extra High Yield Toner Cartridge |
| 52D0ZA0 | 520ZA Black Imaging Unit |
| Part # | Memory Options |
| 57X9016 | 1024MBx32 DDR3-DRAM |
| 57X9012 | 2048MBx32 DDR3-DRAM |
| 57X9101 | 256MB Flash Memory Card |
| 57X9115 | Japanese Font Card |
| 57X9114 | Korean Font Card |
| 57X9112 | Simplified Chinese Font Card |
| 57X9110 | Traditional Chinese Font Card |
| Part # | Application Solutions |
| 24T7352 | Card for IPDS |
| 24T7351 | Forms and Bar Code Card |
| 24T7353 | Card for PRESCRIBE Emulation |
| Part # | Connectivity |
| 1021294 | USB Cable (2-meter) |
| 27X0225 | MarkNet N8350 802.11b/g/n Wireless Print Server |
| 14F0000 | Parallel 1284-B Interface Card |
| 1021231 | Parallel Cable (10-foot) |
| 14F0100 | RS-232C Serial Interface Card |
| Part # | Extended Warranties |
| 2355220 | MX812 2-Years Total (1+1) Onsite Service |
| 2355221 | MX812 3-Years Total (1+2) Onsite Service |
| 2355222 | MX812 4-Years Total (1+3) Onsite Service |
| 2355223 | MX812 5-Years Total (1+4) Onsite Service |
| 2355224 | MX812 1-Year Onsite Service Renewal |
| Part # | User Replaceable Parts |
| 40X8420 | Return Program Fuser Maintenance kit, 110-120V Type 00, Letter |
| 40X7743 | Return Program Fuser, 110-120V Type 00, Letter |
| 40X7706 | Roller Maintenance Kit |
| 40X8431 | ADF Maintenance Kit |
| 40X8425 | Fuser Maintenance kit, 110-120V, Type 05, Letter |
| 40X8016 | Fuser, 110-120V Type 05, Letter |



Lexmark MX812dxfe

Meet our high performance star. The Lexmark MX812dxfe saves time with blazing-fast processor, print, copy and scan speeds—and gives you the edge with solutions, a staple finisher, extra input capacity and 2-sided printing.

Print Technology

Monochrome Laser

Function

Printing, Network Scanning, Faxing, Copying, Color Scanning

Display

Lexmark e-Task 10.2-inch (25.9 cm) color touch screen

Print Speed (Letter, Black)

Up to 70 ppm

Print Speed (Letter, Black) Duplex

Up to 42 spm

Time to First Page (Black)

As fast as 4.0 seconds

Copy Speed (Letter, Black)

Up to 70 cpm

Time to First Copy (Black)

As fast as 4 seconds

Print Resolution, Black

600 x 600 dpi, 1200 Image Quality, 2400 Image Quality, 1200 x 1200 dpi

ADF Scan

DADF (Single Pass Duplex)

Optical Scanning Resolution

600 X 600 ppi (black), 300 X 300 ppi (color)

Processor

Dual Core, 800 MHz

Memory, Standard

1024 MB

Memory, Maximum

3072 MB

Hard Disk

Included in configuration

Expandable Memory Options

Yes

Apple Macintosh Operating Systems Supported

Mac OS X (10.5, 10.6, 10.7, 10.8)

Linux Operating Systems Supported

Fedora 14, 15, 16, 17, Red Hat Enterprise Linux WS 4.0, 5.0, 6.0, Linpus Linux Desktop 9.6, SUSE Linux Enterprise Server 10, 11, SUSE Linux Enterprise Desktop 10, 11, Red Hat Linux Desktop 6.0, Debian GNU/Linux 5.0, 6.0, Ubuntu 11.04, 11.10, 12.04, Mint 9, 10, 11, 12, PCLinuxOS 2011.9, openSUSE 11.3, 11.4, 12.1

Microsoft Windows Operating Systems Supported

Server 2012, 8 x64, Server 2008 R2, Server 2008 R2 running Terminal Services, 8, Windows 7 x64, Server 2008 x64 running Terminal Services, Server 2008 x64, XP, Server 2003, XP x64, Server 2003 running Terminal Services, Server 2003 x64, Server 2003 x64 running Terminal Services, Vista, Vista x64, Server 2008, Server 2008 running Terminal Services, Windows 7

Novell Operating Systems Supported

Open Enterprise Server on SUSE Linux Enterprise Server, NetWare 5.1 (SP 6+), 6.0 (SP 3+) with Novell Distributed Print Services (NDPS), NetWare 6.5 Open Enterprise Server

UNIX Operating Systems Supported

IBM AIX 5.3, 6.1, 7.1, HP-UX 11.11, 11.23, 11.31, Sun Solaris SPARC 9, 10, Sun Solaris x86 10, 11

Included Paper Handling

2100-Sheet Tray, Staple Finisher, 550-Sheet Input, 100-Sheet Multipurpose Feeder, 550-Sheet Output Bin, Integrated Duplex

Paper Input Capacity, Standard: Up to

2750 pages 20 lb or 75 gsm bond

Paper Input Capacity, Maximum: Up to

2750 pages 20 lb or 75 gsm bond

Paper Output Capacity, Standard: Up to

1050 pages 20 lb or 75 gsm bond

Paper Output Capacity, Maximum: Up to

1050 pages 20 lb or 75 gsm bond

ADF Paper Input Capacity

Up to 150 pages 20 lb or 75 gsm bond

Finishing Option

Standard

Number of Paper Inputs, Standard

3

Number of Paper Inputs, Maximum

3

Media Types Supported

Refer to the Card Stock & Label Guide, Paper Labels, Integrated Labels, Dual Web Labels, Card Stock, Envelopes, Transparencies, Plain Paper

Media Sizes Supported

A6, Oficio, Universal, Statement, Folio, DL Envelope, B5 Envelope, A4, 7 3/4 Envelope, 10 Envelope, 9 Envelope, A5, C5 Envelope, Executive, JIS-B5, Legal, Letter

Standard Ports

Rear USB 2.0 Specification Hi-Speed Certified Port (Type A), USB 2.0 Specification Hi-Speed Certified (Type B), One Internal Card Slot, Gigabit Ethernet (10/100/1000), Front USB 2.0 Specification Hi-Speed Certified Port (Type A)

Optional Network Ports

Internal MarkNet N8350 802.11b/g/n Wireless

Optional Local Ports

Internal 1284-B Bidirectional Parallel, Internal RS-232C serial

Network Printing Methods

IPP 1.0, 1.1, 2.0 (Internet Printing Protocol), FTP, TFTP, ThinPrint, print integration, Telnet, Enhanced IP (Port 9400), LPR/LPD, Direct IP (Port 9100)

Network Protocol Support

UDP, TCP, AppleTalk™, TCP/IP IPv4, TCP/IP IPv6

Network Security

IPSec, SNMPv3, 802.1x Authentication: MD5, MSCHAPv2, LEAP, PEAP, TLS, TTLS

Printer Languages (Standard)

PDF 1.7 emulation, PostScript 3 Emulation, PCL 5e Emulation, PCL 6 Emulation, Personal Printer Data Stream (PPDS), Direct Image, Microsoft XPS (XML Paper Specification)

Reduce / Enlarge Range

25 - 400 %

Scan Area, Maximum

215.9 x 355.6 mm

Scan Area, Maximum

8.5 x 14.0 inches

Modem Speed

ITU T.30, V.34 Half-Duplex, 33.6 Kbps

Laser Cartridge Yields

45,000*-page Extra High Yield Cartridge, 25,000*-page High Yield Cartridge, 6,000*-page Cartridge

Cartridge(s) Shipping with Product

25,000*-page High Yield Return Program Toner Cartridge

Replacement Cartridges:

Product functions only with replacement cartridges designed for use in a specific geographical region. See www.lexmark.com/regions for more details.

Packaged Size (mm - H x W x D)

1567 x 870 x 762 mm

Size (mm - H x W x D)

1374 x 663 x 734 mm

Packaged Size (in. - H x W x D)

61.69 x 34.25 x 30.0 in.

Size (in. - H x W x D)

54.1 x 26.1 x 28.9 in.

Weight (kg)

100.0 kg

Weight (lb.)

220.4 lb.

Noise Level, Idle

30 dBA

Print Noise Level, Operating

56 dBA

Copy Noise Level, Operating

56 dBA

Scan Noise Level, Operating

57 dBA

Product Warranty

1-Year Onsite Service, Next Business Day

Product Certifications

Energy Star V1.2, Blue Angel (RAL-UZ-122), CAN/CSA-C22.2 60950-1, CSA E60825-1, ICES-003 Class A, BSMI Class A, CNS 13438, VCCI Class A, US FDA, FCC Class A, UL 60950-1, IEC 320-1, EN/IEC 60320-1, CE Class A, CB IEC 60950-1, EN 62311, EN 60950-1, EN/IEC 61000-3, EN 55022 Class A, EN 55024, EN/IEC 60825-1, GS (TUV), SEMKO, UL AR, CS, TÜV Rh, SMA C-lick mark Class A, CCC Class A, CISPIR 22 Class A, EK Mark, N Mark, ECMA-370, TED

Maximum Monthly Duty Cycle

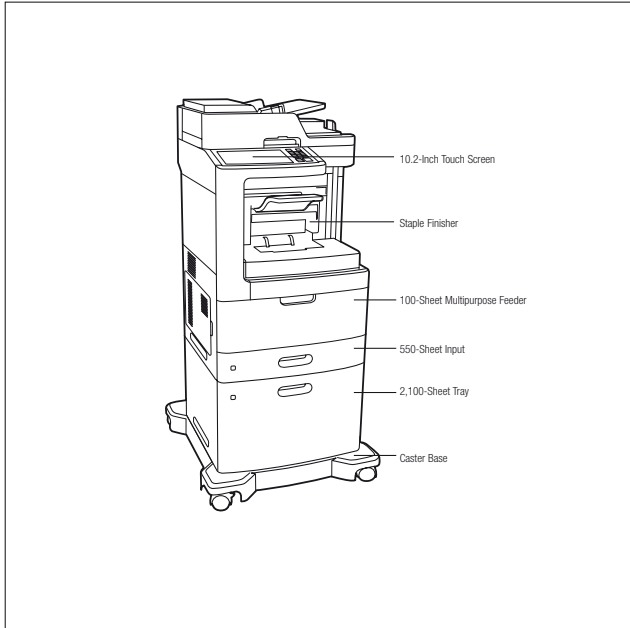
Up to 300,000 pages per month

Recommended Monthly Page Volume

5000 - 35,000 pages

Specified Operating Environment

Altitude: 0 - 2896 Meters (9,500 Feet), Humidity: 8 to 90% Relative Humidity, Temperature: 16 to 32°C (60 to 90°F)



Standard
 Optional

| | |
|---------------|--|
| Part # | Model |
| 24T7440 | Lexmark MX812dxf |
| Part # | Laser Toner/Print Cartridge |
| 62D1X00 | 621X Extra High Yield Return Program Toner Cartridge |
| 62D1H00 | 621H High Yield Return Program Toner Cartridge |
| 62D1000 | 621 Return Program Toner Cartridge |
| 52D0Z00 | 520Z Black Return Program Imaging Unit |
| 62D0XA0 | 620XA Extra High Yield Toner Cartridge |
| 52D0ZA0 | 520ZA Black Imaging Unit |
| 25A0013 | Staple Cartridges (3 pack) |
| Part # | Memory Options |
| 57X9016 | 1024MBx32 DDR3-DRAM |
| 57X9012 | 2048MBx32 DDR3-DRAM |
| 57X9101 | 256MB Flash Memory Card |
| 57X9115 | Japanese Font Card |
| 57X9114 | Korean Font Card |
| 57X9112 | Simplified Chinese Font Card |
| 57X9110 | Traditional Chinese Font Card |
| Part # | Application Solutions |
| 24T7352 | Card for IPDS |
| 24T7351 | Forms and Bar Code Card |
| 24T7353 | Card for PRESCRIBE Emulation |
| Part # | Connectivity |
| 1021294 | USB Cable (2-meter) |
| 27X0225 | MarkNet N8350 802.11b/g/n Wireless Print Server |
| 14F0000 | Parallel 1284-B Interface Card |
| 1021231 | Parallel Cable (10-foot) |
| 14F0100 | RS-232C Serial Interface Card |
| Part # | Extended Warranties |
| 2355220 | MX812 2-Years Total (1+1) Onsite Service |
| 2355221 | MX812 3-Years Total (1+2) Onsite Service |
| 2355222 | MX812 4-Years Total (1+3) Onsite Service |
| 2355223 | MX812 5-Years Total (1+4) Onsite Service |
| 2355224 | MX812 1-Year Onsite Service Renewal |
| Part # | User Replaceable Parts |
| 40X8420 | Return Program Fuser Maintenance kit, 110-120V Type 00, Letter |
| 40X7743 | Return Program Fuser, 110-120V Type 00, Letter |
| 40X7706 | Roller Maintenance Kit |
| 40X8431 | ADF Maintenance Kit |
| 40X8425 | Fuser Maintenance kit, 110-120V, Type 05, Letter |
| 40X8016 | Fuser, 110-120V Type 05, Letter |



Lexmark MX812dxme

Meet our high performance star. The Lexmark MX812dxme saves time with blazing-fast processor, print, copy and scan speeds—and gives you the edge with solutions, a mailbox, an extra paper tray and 2-sided printing.

Print Technology

Monochrome Laser

Function

Printing, Network Scanning, Faxing, Copying, Color Scanning

Display

Lexmark e-Task 10.2-inch (25.9 cm) color touch screen

Print Speed (Letter, Black)

Up to 70 ppm

Print Speed (Letter, Black) Duplex

Up to 42 ppm

Time to First Page (Black)

As fast as 4.0 seconds

Copy Speed (Letter, Black)

Up to 70 ppm

Time to First Copy (Black)

As fast as 4 seconds

Print Resolution, Black

600 x 600 dpi, 1200 Image Quality, 2400 Image Quality, 1200 x 1200 dpi

ADF Scan

DADF (Single Pass Duplex)

Optical Scanning Resolution

600 X 600 ppi (black), 300 X 300 ppi (color)

Processor

Dual Core, 800 MHz

Memory, Standard

1024 MB

Memory, Maximum

3072 MB

Hard Disk

Included in configuration

Expandable Memory Options

Yes

Apple Macintosh Operating Systems Supported

Mac OS X (10.5, 10.6, 10.7, 10.8)

Linux Operating Systems Supported

Fedora 14, 15, 16, 17, Red Hat Enterprise Linux WS 4.0, 5.0, 6.0, Linux Desktop 9.6, SUSE Linux Enterprise Server 10, 11, SUSE Linux Enterprise Desktop 10, 11, Red Hat Linux Desktop 6.0, Debian GNU/Linux 5.0, 6.0, Ubuntu 11.04, 11.10, 12.04, Mint 9, 10, 11, 12, PCLinuxOS 2011.9, openSUSE 11.3, 11.4, 12.1

Microsoft Windows Operating Systems Supported

Server 2012, 8 x64, Server 2008 R2, Server 2008 R2 running Terminal Services, 8, Windows 7 x64, Server 2008 x64 running Terminal Services, Server 2008 x64, XP, Server 2003, XP x64, Server 2003 running Terminal Services, Server 2003 x64, Server 2003 x64 running Terminal Services, Vista, Vista x64, Server 2008, Server 2008 running Terminal Services, Windows 7

Novell Operating Systems Supported

Open Enterprise Server on SUSE Linux Enterprise Server, NetWare 5.1 (SP 6+), 6.0 (SP 3+) with Novell Distributed Print Services (NDPS), NetWare 6.5 Open Enterprise Server

UNIX Operating Systems Supported

IBM AIX 5.3, 6.1, 7.1, HP-UX 11.11, 11.23, 11.31, Sun Solaris SPARC 9, 10, Sun Solaris x86 10, 11

Included Paper Handling

2100-Sheet Tray, 4-Bin Mailbox, 550-Sheet Input, 100-Sheet Multipurpose Feeder, 550-Sheet Output Bin, Integrated Duplex

Paper Input Capacity, Standard: Up to

2750 pages 20 lb or 75 gsm bond

Paper Input Capacity, Maximum: Up to

2750 pages 20 lb or 75 gsm bond

Paper Output Capacity, Standard: Up to

950 pages 20 lb or 75 gsm bond

Paper Output Capacity, Maximum: Up to

950 pages 20 lb or 75 gsm bond

ADF Paper Input Capacity

Up to 150 pages 20 lb or 75 gsm bond

Finishing Option

Standard

Number of Paper Inputs, Standard

3

Number of Paper Inputs, Maximum

3

Media Types Supported

Refer to the Card Stock & Label Guide, Paper Labels, Integrated Labels, Dual Web Labels, Card Stock, Envelopes, Transparencies, Plain Paper

Media Sizes Supported

A6, Oficio, Universal, Statement, Folio, DL Envelope, B5 Envelope, A4, 7 3/4 Envelope, 10 Envelope, 9 Envelope, A5, C5 Envelope, Executive, JIS-B5, Legal, Letter

Standard Ports

Rear USB 2.0 Specification Hi-Speed Certified Port (Type A), USB 2.0 Specification Hi-Speed Certified (Type B), One Internal Card Slot, Gigabit Ethernet (10/100/1000), Front USB 2.0 Specification Hi-Speed Certified Port (Type A)

Optional Network Ports

Internal MarkNet N8350 802.11b/g/n Wireless

Optional Local Ports

Internal 1284-B Bidirectional Parallel, Internal RS-232C serial

Network Printing Methods

IPP 1.0, 1.1, 2.0 (Internet Printing Protocol), FTP, TFTP, ThinPrint, print integration, Telnet, Enhanced IP (Port 9400), LPR/LPD, Direct IP (Port 9100)

Network Protocol Support

UDP, TCP, AppleTalk™, TCP/IP IPv4, TCP/IP IPv6

Network Security

IPSec, SNMPv3, 802.1x Authentication: MD5, MSCHAPv2, LEAP, PEAP, TLS, TTLS

Printer Languages (Standard)

PDF 1.7 emulation, PostScript 3 Emulation, PCL 5e Emulation, PCL 6 Emulation, Personal Printer Data Stream (PPDS), Direct Image, Microsoft XPS (XML Paper Specification)

Reduce / Enlarge Range

25 - 400 %

Scan Area, Maximum

215.9 x 355.6 mm

Scan Area, Maximum

8.5 x 14.0 inches

Modem Speed

ITU T.30, V.34 Half-Duplex, 33.6 Kbps

Laser Cartridge Yields

45,000*-page Extra High Yield Cartridge, 25,000*-page High Yield Cartridge, 6,000*-page Cartridge

Cartridge(s) Shipping with Product

25,000*-page High Yield Return Program Toner Cartridge

Replacement Cartridges:

Product functions only with replacement cartridges designed for use in a specific geographical region. See www.lexmark.com/regions for more details.

Packaged Size (mm - H x W x D)

1567 x 870 x 762 mm

Size (mm - H x W x D)

1374 x 663 x 734 mm

Packaged Size (in. - H x W x D)

61.69 x 34.25 x 30.0 in.

Size (in. - H x W x D)

54.1 x 26.1 x 28.9 in.

Weight (Kg)

98.9 kg

Weight (lb.)

218 lb.

Noise Level, Idle

30 dBA

Print Noise Level, Operating

56 dBA

Copy Noise Level, Operating

56 dBA

Scan Noise Level, Operating

57 dBA

Product Warranty

1-Year Onsite Service, Next Business Day

Product Certifications

Energy Star V1.2, Blue Angel (RAL-UZ-122), CAN/CSA-C22.2 60950-1, CSA E60825-1, ICES-003 Class A, BSMI Class A, CNS 13438, VCCI Class A, US FDA, FCC Class A, UL 60950-1, IEC 320-1, EN/IEC 60320-1, CE Class A, CB IEC 60950-1, EN 62311, EN 60950-1, EN/IEC 61000-3, EN 55022 Class A, EN 55024, EN/IEC 60825-1, GS (TUV), SEMKO, UL AR, CS, TÜV Rh, SMA C-lick mark Class A, CCC Class A, CISPIR 22 Class A, EK Mark, N Mark, ECMA-370, TED

Maximum Monthly Duty Cycle

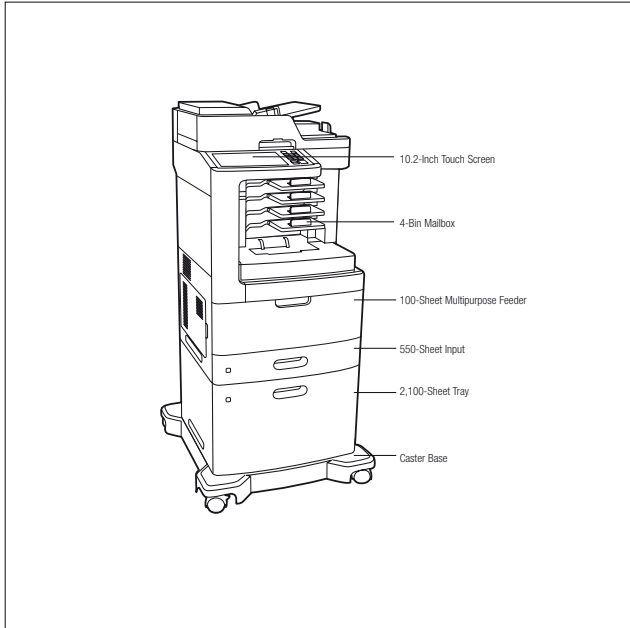
Up to 300,000 pages per month

Recommended Monthly Page Volume

5000 - 35,000 pages

Specified Operating Environment

Altitude: 0 - 2896 Meters (9,500 Feet), Humidity: 8 to 80% Relative Humidity, Temperature: 16 to 32°C (60 to 90°F)



Standard
 Optional

| | |
|---------------|--|
| Part # | Model |
| 24T7442 | Lexmark MX812dxe |
| Part # | Laser Toner/Print Cartridge |
| 62D1X00 | 621X Extra High Yield Return Program Toner Cartridge |
| 62D1H00 | 621H High Yield Return Program Toner Cartridge |
| 62D1000 | 621 Return Program Toner Cartridge |
| 52D0Z00 | 520Z Black Return Program Imaging Unit |
| 62D0XA0 | 620XA Extra High Yield Toner Cartridge |
| 52D0ZA0 | 520ZA Black Imaging Unit |
| Part # | Memory Options |
| 57X9016 | 1024MbX32 DDR3-DRAM |
| 57X9012 | 2048MbX32 DDR3-DRAM |
| 57X9101 | 256MB Flash Memory Card |
| 57X9115 | Japanese Font Card |
| 57X9114 | Korean Font Card |
| 57X9112 | Simplified Chinese Font Card |
| 57X9110 | Traditional Chinese Font Card |
| Part # | Application Solutions |
| 24T7352 | Card for IPDS |
| 24T7351 | Forms and Bar Code Card |
| 24T7353 | Card for PRESCRIBE Emulation |
| Part # | Connectivity |
| 1021294 | USB Cable (2-meter) |
| 27X0225 | MarkNet N8350 802.11b/g/n Wireless Print Server |
| 14F0000 | Parallel 1284-B Interface Card |
| 1021231 | Parallel Cable (10-foot) |
| 14F0100 | RS-232C Serial Interface Card |
| Part # | Extended Warranties |
| 2355220 | MX812 2-Years Total (1+1) Onsite Service |
| 2355221 | MX812 3-Years Total (1+2) Onsite Service |
| 2355222 | MX812 4-Years Total (1+3) Onsite Service |
| 2355223 | MX812 5-Years Total (1+4) Onsite Service |
| 2355224 | MX812 1-Year Onsite Service Renewal |
| Part # | User Replaceable Parts |
| 40X8420 | Return Program Fuser Maintenance kit, 110-120V Type 00, Letter |
| 40X7743 | Return Program Fuser, 110-120V Type 00, Letter |
| 40X7706 | Roller Maintenance Kit |
| 40X8431 | ADF Maintenance Kit |
| 40X8425 | Fuser Maintenance kit, 110-120V, Type 05, Letter |
| 40X8016 | Fuser, 110-120V Type 05, Letter |



Lexmark X860de 3

High-volume monochrome departmental MFP (print/copy/scan) with speed, endurance and a powerful solutions platform.

Print Technology

Monochrome Laser

Function

Printing, Network Scanning, Copying

Display

Lexmark e-Task 9-inch (22.9 cm) color touch screen

Print Speed (Letter, Black)

Up to 35 ppm

Print Speed (Letter, Black) Duplex

Up to 35 ppm

Time to First Page (Black)

As fast as 6 seconds

Copy Speed (Letter, Black)

Up to 35 ppm

Time to First Copy (Black)

As fast as 7 seconds

Print Resolution, Black

600 x 600 dpi, 2400 Image Quality, 1200 x 1200 dpi

ADF Scan

RADF (Reversing Duplex)

Optical Scanning Resolution

600 X 300 ppi (color), 600 X 600 ppi

Processor

800 MHz

Memory, Standard

256 MB

Memory, Maximum

1280 MB

Hard Disk

Included in configuration

Expandable Memory Options

Yes

Apple Macintosh Operating Systems Supported

Mac OS 9.2, Mac OS X

Linux Operating Systems Supported

Ubuntu 8.10, 9.04, Debian GNU/Linux 5.0, SUSE Linux Enterprise Desktop 11, Ubuntu 8.04 LTS, Red Hat Linux Desktop 5.0, 6.0, Linspire Linux 6.0, Linpus Linux Desktop 9.2, 9.3, Red Hat Enterprise Linux WS 3.0, 4.0, 5.0, SUSE Linux Enterprise Server 8.0, 9.0, 10, 11, SUSE Linux Enterprise Desktop 10, openSUSE 10.2, 10.3, 11.0, 11.1, Debian GNU/Linux 4.0, Ubuntu 7.10

Microsoft Windows Operating Systems Supported

7, Server 2008 x64, Server 2008 running Terminal Services, Server 2008 x64 running Terminal Services, Server 2008, Vista, Server 2003 x64, 2000, XP, Server 2003, XP x64, Server 2003 running Terminal Services, 2000 Server running Terminal Services, Server 2003 x64 running Terminal Services, Vista x64

Novell Operating Systems Supported

NetWare 5.x, 6.x with iPrint or Novell Distributed Print Services (NDS), Open Enterprise Server for Netware with NDS, iPrint or Novell Distributed Print Services (NDPS)

UNIX Operating Systems Supported

IBM AIX 5.2, 5.3, 6.1, HP-UX 11.11, 11.23, 11.31, Sun Solaris x86 10, Sun Solaris SPARC 8, 9, 10

Other Operating Systems Supported

Virtually any platform supporting TCP/IP, IBM iSeries or IBM AS/400® Systems with TCP/IP with OS/400® V3R1 or

later using OS/400 Host Print Transform

Paper Handling Standard

100-Sheet Multipurpose Feeder, 500-Sheet Output Bin, Duplex Unit, Two 500-Sheet Trays

Paper Handling Optional

Booklet Finisher, 3,500-Sheet Finisher, 2 x 500-Sheet Drawer, 2,000-Sheet Dual Input, 2,000-Sheet High-Capacity Feeder

Paper Input Capacity, Standard: Up to

1100 pages 20 lb or 75 gsm bond

Paper Input Capacity, Maximum: Up to

5100 pages 20 lb or 75 gsm bond

Paper Output Capacity, Standard: Up to

500 pages 20 lb or 75 gsm bond

Paper Output Capacity, Maximum: Up to

3800 pages 20 lb or 75 gsm bond

ADF Paper Input Capacity

Up to 75 pages 20 lb or 75 gsm bond

Finishing Option

Yes

Number of Paper Inputs, Standard

3

Number of Paper Inputs, Maximum

6

Media Types Supported

Refer to the Card Stock & Label Guide, Paper Labels, Envelopes, Card Stock, Plain Paper, Transparencies

Media Sizes Supported

Universal, Statement, Letter, Legal, Folio, DL Envelope, A5, A3, 10 Envelope, 7 3/4 Envelope, A4, C5 Envelope, Executive, JIS-B4, JIS-B5, Ledger

Standard Ports

Rear Hi-Speed USB Port Compatible with USB 2.0 Specification (Type A), Front Hi-Speed USB Port Compatible with USB 2.0 Specification (Type A), Hi-Speed USB Port Compatible with USB 2.0 Specification (Type B), One Internal Card Slot, Gigabit Ethernet (10/100/1000)

Optional Network Ports

Internal MarkNet™ N8150 802.11b/g/n Wireless, Lexmark N4050e 802.11g Wireless Print Server (Print Only), Internal MarkNet™ N8130 Fiber Fast Ethernet

Optional Local Ports

Internal 1284-B Bidirectional Parallel, Internal RS-232C serial

Network Printing Methods

ThinPrint .print integration, LPR/LPD, Direct IP (Port 9100), Socket (Raw TCP/IP), HTTP, NDS Queue-based Printing, NDPS/NEPS (Novell Distributed Print Services), Novell Network Enterprise Print Services, Enhanced IP (Port 9400), FTP, TFTP, IPP 1.1 (Internet Printing Protocol)

Network Protocol Support

UDP, TCP, LexLink (DLCL), TCP/IP IPv4, IPX/SPX, AppleTalk™, TCP/IP IPv6

Network Security

IPSec, SNMPv3, 802.1x Authentication: MD5, MSCHAPv2,

LEAP, PEAP, TLS, TTLS

Print Languages (Standard)

Microsoft XPS (XML Paper Specification), PCL 5e Emulation, PCL 6 Emulation, Personal Printer Data Stream (PPDS), PostScript 3 Emulation, xHTML, PDF 1.6, Direct Image

Reduce / Enlarge Range

25 - 400 %

Scan Area, Maximum

297 x 432 mm

Scan Area, Maximum

11.7 x 17 inches

Supplies Yield

35,000* -page High Yield Toner Cartridge

Cartridge(s) Shipping with Product

35,000* -page High Yield Toner Cartridge

Packaged Size (mm - H x W x D)

940 x 880 x 850 mm

Size (mm - H x W x D)

803 x 641 x 705 mm

Packaged Size (in. - H x W x D)

37.0 x 34.6 x 33.5 in.

Size (in. - H x W x D)

31.5 x 25.25 x 27.75 in.

Size, Trays Extended (mm - H x W x D)

803 x 971 x 705 mm

Weight (kg)

76.7 kg

Size, Trays Extended (in. - H x W x D)

31.5 x 38.25 x 27.75 in.

Weight (lb.)

169 lb.

Noise Level, Idle

30 dBA

Print Noise Level, Operating

53 dBA

Copy Noise Level, Operating

53 dBA

Scan Noise Level, Operating

53 dBA

Product Warranty

1-Year Onsite Service, Next Business Day

Product Certifications

Energy Star, Blue Angel (RAL-UZ-122), CSA, ICES Class A, BSMI Class A, VCCI Class A, FCC Class A, UL 60950-1, IEC 320-1, ECMA-74, CE Class A, CB IEC 60950-1, IEC 61000-3-2, -3-3, EN 55022, EN 55024, CISPR 22 Class A, GS (TUV)-EN 60950-1, SEMKO, UL AR, CS, TÜV Rh, N Mark, C-tick Class A, CCC Class A, RPC, PSB, MIC, EK - K60950

Maximum Monthly Duty Cycle

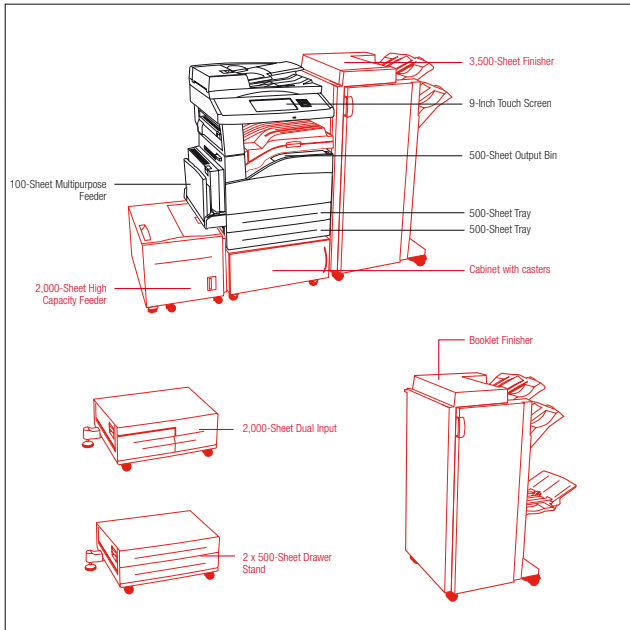
Up to 150,000 pages per month

Recommended Monthly Page Volume

10,000 - 39,000 pages

Specified Operating Environment

Altitude: 0 - 3048 Meters (10,000 Feet), Humidity: 8 to 80% Relative Humidity, Temperature: 16 to 32°C (60 to 90°F)



Standard
 Optional

| Part # | Model |
|---------|------------------|
| 1920100 | Lexmark X860de 3 |

| Part # | Laser Toner/Print Cartridge |
|----------|--|
| X860H21G | X860e, X862e, X864e High Yield Toner Cartridge |
| X860H22G | X860e, X862e, X864e Photoconductor Kit |
| 25A0013 | Staple Cartridges (3 pack) |
| 21Z0357 | Booklet Saddle Staple Cartridges (4 pack) |

| Part # | Paper Handling |
|---------|-----------------------------|
| 15R0146 | 2 x 500-Sheet Drawer |
| 15R0120 | 2000-Sheet Dual Input |
| 15R0145 | High Capacity Feeder |
| 15R0144 | Finisher (2/3-Hole) |
| 15R0335 | Booklet Finisher (2/3-Hole) |

| Part # | Furniture |
|---------|-----------------|
| 15R0140 | Printer Cabinet |

| Part # | MFP Options |
|---------|-----------------------------|
| 37X5125 | MarkNet N8110 V.34 Fax Card |

| Part # | Memory Options |
|---------|-------------------------------|
| 1025041 | 256MB DDR2-DRAM |
| 1025042 | 512MB DDR2-DRAM |
| 1025043 | 1024MB DDR2-DRAM |
| 14F0245 | 256MB Flash Card |
| 30G0828 | Japanese Font Card |
| 30G0825 | Korean Font Card |
| 30G0826 | Simplified Chinese Font Card |
| 30G0827 | Traditional Chinese Font Card |
| 30G0287 | Arabic Font Card |

| Part # | Application Solutions |
|---------|---|
| 30G0829 | Lexmark Print/Cryption Card |
| 1920030 | X860de, X862de, X864de Forms and Bar Code Card |
| 1920031 | X860de, X862de, X864de Card for IPDS/SCS/T1E |
| 1924039 | X860de, X862e, X864e Card for PRESCRIBE Emulation |

| Part # | Connectivity |
|---------|---|
| 1021294 | USB Cable (2-meter) |
| 14F0042 | MarkNet N8130 Fiber Ethernet 100BaseFX, 10BaseFL Printer Server |
| 14F0040 | MarkNet N8150 802.11b/g/n Wireless Printer Server |
| 1021231 | Parallel Cable (10-foot) |
| 14F0000 | Parallel 1284-B Interface Card |
| 14F0100 | RS-232C Serial Interface Card |

| Part # | Extended Warranties |
|---------|---|
| 2351544 | X860e 2-Years Total (1+1) Onsite Service, Next Business Day |
| 2351545 | X860e 3-Years Total (1+2) Onsite Service, Next Business Day |

| | |
|---------|---|
| 2351546 | X860e 4-Years Total (1+3) Onsite Service, Next Business Day |
| 2351547 | X860e 5-Years Total (1+4) Onsite Service, Next Business Day |
| 2351548 | X860e 1-Year Onsite Service Renewal, Next Business Day |

| Part # | User Replaceable Parts |
|---------|--|
| 40X0394 | X850e, X852e, X854e Fuser Maintenance Kit 110-120V |

| Part # | Service Parts |
|---------|--|
| 40X2734 | X85xe ADF Maintenance Kit |
| 40X0770 | X850e, X852e, X854e ADF Feed unit roll kit |

| Part # | Installation Service |
|---------|-----------------------------------|
| 2351569 | X860e Install, De-Install Service |



Lexmark X860de 4

High-volume monochrome departmental MFP (print/copy/scan/fax) with speed, endurance and a powerful solutions platform.

Print Technology

Monochrome Laser

Function

Printing, Network Scanning, Faxing, Copying

Display

Lexmark e-Task 9-inch (22.9 cm) color touch screen

Print Speed (Letter, Black)

Up to 35 ppm

Print Speed (Letter, Black) Duplex

Up to 35 ppm

Time to First Page (Black)

As fast as 6 seconds

Copy Speed (Letter, Black)

Up to 35 cpm

Time to First Copy (Black)

As fast as 7 seconds

Print Resolution, Black

600 x 600 dpi, 2400 Image Quality, 1200 x 1200 dpi

ADF Scan

RADF (Reversing Duplex)

Optical Scanning Resolution

600 X 300 dpi (color), 600 X 600 dpi

Processor

800 MHz

Memory, Standard

256 MB

Memory, Maximum

1280 MB

Hard Disk

Included in configuration

Expandable Memory Options

Yes

Apple Macintosh Operating Systems Supported

Mac OS 9.2, Mac OS X

Linux Operating Systems Supported

Ubuntu 8.10, 9.04, Debian GNU/Linux 5.0, SUSE Linux Enterprise Desktop 11, Ubuntu 8.04 LTS, Red Hat Linux Desktop 5.0, 6.0, Linspire Linux 6.0, Linpus Linux Desktop 9.2, 9.3, Red Hat Enterprise Linux WS 3.0, 4.0, 5.0, SUSE Linux Enterprise Server 8.0, 9.0, 10, 11, SUSE Linux Enterprise Desktop 10, openSUSE 10.2, 10.3, 11.0, 11.1, Debian GNU/Linux 4.0, Ubuntu 7.10

Microsoft Windows Operating Systems Supported

7, Server 2008 x64, Server 2008 running Terminal Services, Server 2008 x64 running Terminal Services, Server 2008, Vista, Server 2003 x64, 2000, XP, Server 2003, XP x64, Server 2003 running Terminal Services, 2000 Server running Terminal Services, Server 2003 x64 running Terminal Services, Vista x64

Novell Operating Systems Supported

NetWare 5.x, 6.x with iPrint or Novell Distributed Print Services (NDPS), Open Enterprise Server for Netware with NDS, iPrint or Novell Distributed Print Services (NDPS)

UNIX Operating Systems Supported

IBM AIX 5.2, 5.3, 6.1, HP-UX 11.11, 11.23, 11.31, Sun Solaris x86 10, Sun Solaris SPARC 8, 9, 10

Other Operating Systems Supported

Virtually any platform supporting TCP/IP, IBM iSeries or IBM AS/400® Systems with TCP/IP with OS/400® V3R1 or

later using OS/400 Host Print Transform

Paper Handling Standard

100-Sheet Multipurpose Feeder, 500-Sheet Output Bin, Duplex Unit, Two 500-Sheet Trays

Paper Handling Optional

Booklet Finisher, 3,500-Sheet Finisher, 2 x 500-Sheet Drawer, 2,000-Sheet Dual Input, 2,000-Sheet High-Capacity Feeder

Paper Input Capacity, Standard: Up to

1,100 pages 20 lb or 75 gsm bond

Paper Input Capacity, Maximum: Up to

5,100 pages 20 lb or 75 gsm bond

Paper Output Capacity, Standard: Up to

500 pages 20 lb or 75 gsm bond

Paper Output Capacity, Maximum: Up to

3,800 pages 20 lb or 75 gsm bond

ADF Paper Input Capacity

Up to 75 pages 20 lb or 75 gsm bond

Finishing Option

Yes

Number of Paper Inputs, Standard

3

Number of Paper Inputs, Maximum

6

Media Types Supported

Refer to the Card Stock & Label Guide, Paper Labels, Envelopes, Card Stock, Plain Paper, Transparencies

Media Sizes Supported

Universal, Statement, Letter, Legal, Folio, DL Envelope, A5, A3, 10 Envelope, 7/4 Envelope, A4, C5 Envelope, Executive, JIS-B4, JIS-B5, Ledger

Standard Ports

Rear Hi-Speed USB Port Compatible with USB 2.0 Specification (Type A), Front Hi-Speed USB Port Compatible with USB 2.0 Specification (Type A), Hi-Speed USB Port Compatible with USB 2.0 Specification (Type B), One Internal Card Slot, Gigabit Ethernet (10/100/1000)

Optional Network Ports

Internal MarkNet™ N8150 802.11b/g/n Wireless, Lexmark N4050e 802.11g Wireless Print Server (Print Only), Internal MarkNet™ N8130 Fiber Fast Ethernet

Optional Local Ports

Internal 1284-B Bidirectional Parallel, Internal RS-232C serial

Network Printing Methods

ThinPrint .print integration, IPP 1.1 (Internet Printing Protocol), Enhanced IP (Port 9400), HTTP, NDS Queue-based Printing, NDPS/NEPS (Novell Distributed Print Services), Novell Netware Enterprise Print Services), FTP, TFTP, Socket (Raw TCP/IP), LPR/LPD, Direct IP (Port 9100)

Network Protocol Support

UDP, TCP/IP IPv6, IPX/SPX, AppleTalk™, LexLink (DLC), TCP, TCP/IP IPv4

Network Security

IPSec, 802.1x Authentication: MD5, MSCHAPv2, LEAP,

PEAP, TLS, TTLS, SNMPv3

Printer Languages (Standard)

Microsoft XPS (XML Paper Specification), PCL 5e Emulation, PCL 6 Emulation, Personal Printer Data Stream (PPDS), PostScript 3 Emulation, xHTML, PDF 1.6, Direct Image

Reduce / Enlarge Range

25 - 400 %

Scan Area, Maximum

297 x 432 mm

Scan Area, Maximum

11.7 x 17 inches

Modem Speed

33.6 Kbps

Supplies Yield

35,000*-page High Yield Toner Cartridge

Cartridge(s) Shipping with Product

35,000*-page High Yield Toner Cartridge

Packaged Size (mm - H x W x D)

940 x 880 x 850 mm

Size (mm - H x W x D)

803 x 641 x 705 mm

Packaged Size (in. - H x W x D)

37.0 x 34.6 x 33.5 in.

Size (in. - H x W x D)

31.5 x 25.25 x 27.75 in.

Size, Trays Extended (mm - H x W x D)

803 x 971 x 705 mm

Weight (kg)

76.7 kg

Size, Trays Extended (in. - H x W x D)

31.5 x 38.25 x 27.75 in.

Weight (lb.)

169 lb.

Noise Level, Idle

30 dBA

Print Noise Level, Operating

53 dBA

Copy Noise Level, Operating

53 dBA

Scan Noise Level, Operating

53 dBA

Product Warranty

1-Year Onsite Service, Next Business Day

Product Certifications

Energy Star, Blue Angel (RAL-UZ-122), CSA, ICES Class A, BSMI Class A, VCCI Class A, FCC Class A, UL 60950-1, IEC 320-1, ECMA-74, CE Class A, CB IEC 60950-1, IEC 1000-3-2, -3, EN 55022, EN 55024, CISPR 22 Class A, GS (TÜV)-EN 60950-1, SEMKO, UL AR, CS, TÜV Rh, N Mark, C-tick Class A, CCC Class A, RPC, PSB, MIC, EK - K60950

Maximum Monthly Duty Cycle

Up to 150,000 pages per month

Recommended Monthly Page Volume

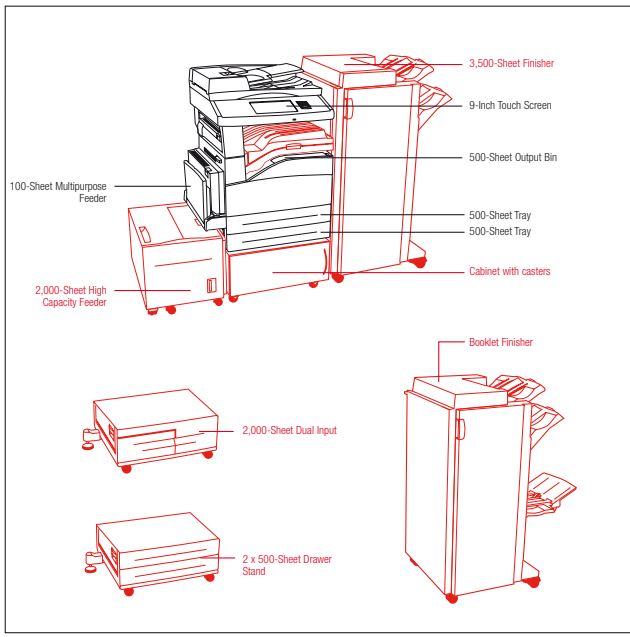
10,000 - 39,000 pages

Specified Operating Environment

Altitude: 0 - 3048 Meters (10,000 Feet), Temperature:



16 to 32°C (60 to 90°F), Humidity: 8 to 80% Relative Humidity



Standard
 Optional

| | |
|---------------|---|
| Part # | Model |
| 19Z0200 | Lexmark X860de 4 |
| Part # | Laser Toner/Print Cartridge |
| X860H21G | X860e, X862e, X864e High Yield Toner Cartridge |
| X860H22G | X860e, X862e, X864e Photoconductor Kit |
| 25A0013 | Staple Cartridges (3 pack) |
| 21Z0357 | Booklet Saddle Staple Cartridges (4 pack) |
| Part # | Paper Handling |
| 15R0146 | 2 x 500-Sheet Drawer |
| 15R0120 | 2000-Sheet Dual Input |
| 15R0145 | High Capacity Feeder |
| 15R0144 | Finisher (2/3-Hole) |
| 15R0335 | Booklet Finisher (2/3-Hole) |
| Part # | Furniture |
| 15R0140 | Printer Cabinet |
| Part # | Memory Options |
| 1025041 | 256MB DDR2-DRAM |
| 1025042 | 512MB DDR2-DRAM |
| 1025043 | 1024MB DDR2-DRAM |
| 14F0245 | 256MB Flash Card |
| 30G0828 | Japanese Font Card |
| 30G0825 | Korean Font Card |
| 30G0826 | Simplified Chinese Font Card |
| 30G0827 | Traditional Chinese Font Card |
| 30G0827 | Arabic Font Card |
| Part # | Application Solutions |
| 30G0829 | Lexmark PrintCryptCard |
| 19Z0030 | X860de, X862de, X864de Forms and Bar Code Card |
| 19Z0031 | X860de, X862de, X864de Card for IPDS/SCS/TNe |
| 19Z4039 | X860e, X862e, X864e Card for PRESCRIBE Emulation |
| Part # | Connectivity |
| 1021294 | USB Cable (2-meter) |
| 14F0042 | MarkNet N8130 Fiber Ethernet 100BaseFX, 10BaseFL Printer Server |
| 14F0040 | MarkNet N8150 802.11b/g/n Wireless Printer Server |
| 1021231 | Parallel Cable (10-foot) |
| 14F0000 | Parallel 1284-B Interface Card |
| 14F0100 | RS-232C Serial Interface Card |
| Part # | Extended Warranties |
| 2351544 | X860e 2-Years Total (1+1) Onsite Service, Next Business Day |
| 2351545 | X860e 3-Years Total (1+2) Onsite Service, Next Business Day |
| 2351546 | X860e 4-Years Total (1+3) Onsite Service, Next Business Day |
| 2351547 | X860e 5-Years Total (1+4) Onsite Service, Next Business Day |
| 2351548 | X860e 1-Year Onsite Service Renewal, Next Business Day |

| | |
|---------------|--|
| Part # | User Replaceable Parts |
| 40X0394 | X850e, X852e, X854e Fuser Maintenance Kit 110-120V |
| Part # | Service Parts |
| 40X2734 | X85xe ADF Maintenance Kit |
| 40X0770 | X850e, X852e, X854e ADF Feed unit roll kit |
| Part # | Installation Service |
| 2351569 | X860e Install, De-Install Service |



11x17

Lexmark X862dte 3

High-volume monochrome multifunction (print/copy/scan) with more – more speed, more paper capacity, and more possibilities for your digital office.

Print Technology

Monochrome Laser

Function

Printing, Network Scanning, Copying

Display

Lexmark e-Task 9-inch (22.9 cm) color touch screen

Print Speed (Letter, Black)

Up to 45 ppm

Print Speed (Letter, Black) Duplex

Up to 45 spm

Time to First Page (Black)

As fast as 6 seconds

Copy Speed (Letter, Black)

Up to 45 cpm

Time to First Copy (Black)

As fast as 7 seconds

Print Resolution, Black

600 x 600 dpi, 2400 Image Quality, 1200 x 1200 dpi

ADF Scan

RADF (Reversing Duplex)

Optical Scanning Resolution

600 X 300 dpi (color), 600 X 600 dpi

Processor

800 Mhz

Memory, Standard

256 MB

Memory, Maximum

1280 MB

Hard Disk

Included in configuration

Expandable Memory Options

Yes

Apple Macintosh Operating Systems Supported

Mac OS 9.2, Mac OS X

Linux Operating Systems Supported

Ubuntu 8.10, 9.04, Debian GNU/Linux 5.0, SUSE Linux Enterprise Desktop 11, Ubuntu 8.04 LTS, Red Flag Linux Desktop 5.0, 6.0, Linspire Linux 6.0, Linpus Linux Desktop 9.2, 9.3, Red Hat Enterprise Linux WS 3.0, 4.0, 5.0, SUSE Linux Enterprise Server 8.0, 9.0, 10, 11, SUSE Linux Enterprise Desktop 10, openSUSE 10.2, 10.3, 11.0, 11.1, Debian GNU/Linux 4.0, Ubuntu 7.10

Microsoft Windows Operating Systems Supported

7, Server 2008 x64, Server 2008 running Terminal Services, Server 2008 x64 running Terminal Services, Server 2008, Vista, Server 2003 x64, 2000, XP, Server 2003, XP x64, Server 2003 running Terminal Services, 2000 Server running Terminal Services, Server 2003 x64 running Terminal Services, Vista x64

Novell Operating Systems Supported

NetWare 5.x, 6.x with iPrint or Novell Distributed Print Services (NDPS), Open Enterprise Server for Netware with NDS, iPrint or Novell Distributed Print Services (NDPS)

UNIX Operating Systems Supported

IBM AIX 5.2, 5.3, 6.1, HP-UX 11.11, 11.23, 11.31, Sun Solaris x86 10, Sun Solaris SPARC 8, 9, 10

Other Operating Systems Supported

Virtually any platform supporting TCP/IP, IBM iSeries or IBM AS/400® Systems with TCP/IP with OS/400® V3R1 or

later using OS/400 Host Print Transform

Paper Handling Standard

100-Sheet Multipurpose Feeder, 500-Sheet Output Bin, 2 x 500-Sheet Drawer, Duplex Unit, Two 500-Sheet Trays

Paper Handling Optional

Booklet Finisher, 3,500-Sheet Finisher, 2,000-Sheet High-Capacity Feeder

Paper Input Capacity, Standard: Up to

2100 pages 20 lb or 75 gsm bond

Paper Input Capacity, Maximum: Up to

4100 pages 20 lb or 75 gsm bond

Paper Output Capacity, Standard: Up to

500 pages 20 lb or 75 gsm bond

Paper Output Capacity, Maximum: Up to

3800 pages 20 lb or 75 gsm bond

ADF Paper Input Capacity

Up to 75 pages 20 lb or 75 gsm bond

Finishing Option

Yes

Number of Paper Inputs, Standard

5

Number of Paper Inputs, Maximum

6

Media Types Supported

Refer to the Card Stock & Label Guide, Paper Labels, Envelopes, Card Stock, Plain Paper, Transparencies

Media Sizes Supported

Universal, Statement, Letter, Legal, Folio, DL Envelope, A5, A3, 10 Envelope, 7 3/4 Envelope, A4, C5 Envelope, Executive, JIS-B4, JIS-B5, Ledger

Standard Ports

Rear Hi-Speed USB Port Compatible with USB 2.0 Specification (Type A), Front Hi-Speed USB Port Compatible with USB 2.0 Specification (Type A), Hi-Speed USB Port Compatible with USB 2.0 Specification (Type B), One Internal Card Slot, Gigabit Ethernet (10/100/1000)

Optional Network Ports

Internal MarkNet™ N8150 802.11b/g/n Wireless, Lexmark N4050E 802.11g Wireless Printer Server (Print Only), Internal MarkNet™ N8130 Fiber Fast Ethernet

Optional Local Ports

Internal 1284-B Bidirectional Parallel, Internal RS-232C serial

Network Printing Methods

ThinPrint .print integration, LPR/LPD, Direct IP (Port 9100), Socket (Raw TCP/IP), HTTP, NDS Queue-based Printing, NDPS/NEPS (Novell Distributed Print Services), Novell Netware Enterprise Print Services, Enhanced IP (Port 9400), FTP, TFTP, IPP 1.1 (Internet Printing Protocol)

Network Protocol Support

UDP, TCP, LexLink (DLC), TCP/IP IPv4, IPX/SPX, AppleTalk™, TCP/IP IPv6

Network Security

IPSec, SNMPv3, 802.1x Authentication: MD5, MSCHAPv2, LEAP, PEAP, TLS, TTLS

Printer Languages (Standard)

Microsoft XPS (XML Paper Specification), PCL 5e Emulation, PCL 6 Emulation, Personal Printer Data Stream (PPDS), PostScript 3 Emulation, xHTML, PDF 1.6, Direct Image

Reduce / Enlarge Range

25 - 400 %

Scan Area, Maximum

297 x 432 mm

Scan Area, Maximum

11.7 x 17 inches

Supplies Yield

35,000*-page High Yield Toner Cartridge

Cartridge(s) Shipping with Product

35,000*-page High Yield Toner Cartridge

Packaged Size (mm - H x W x D)

1507 x 890 x 850 mm

Size (mm - H x W x D)

1095 x 641 x 705 mm

Packaged Size (in. - H x W x D)

59.3 x 35.0 x 33.5 in.

Size (in. - H x W x D)

43 x 25.25 x 27.75 in.

Size, Trays Extended (mm - H x W x D)

1095 x 971 x 705 mm

Weight (kg)

98.9 kg

Size, Trays Extended (in. - H x W x D)

43 x 38.25 x 27.75 in.

Weight (lb.)

218.0 lb.

Noise Level, Idle

30 dBA

Print Noise Level, Operating

52 dBA

Copy Noise Level, Operating

53 dBA

Scan Noise Level, Operating

55 dBA

Product Warranty

1-Year Onsite Service, Next Business Day

Product Certifications

Energy Star, Blue Angel (RAL-UZ-122), CSA, ICES Class A, BSMI Class A, VCCI Class A, FCC Class A, UL 60950-1, IEC 320-1, ECMA-74, CE Class A, CB IEC 60950-1, IEC 61000-3-2, -3-3, EN 55022, EN 55024, CISPIR 22 Class A, GS (TUV)-EN 60950-1, SEMKO, UL AR, CS, TÜV RH, N Mark, C-tick Class A, CCC Class A, RPC, PSB, MIC, EK - K60950

Maximum Monthly Duty Cycle

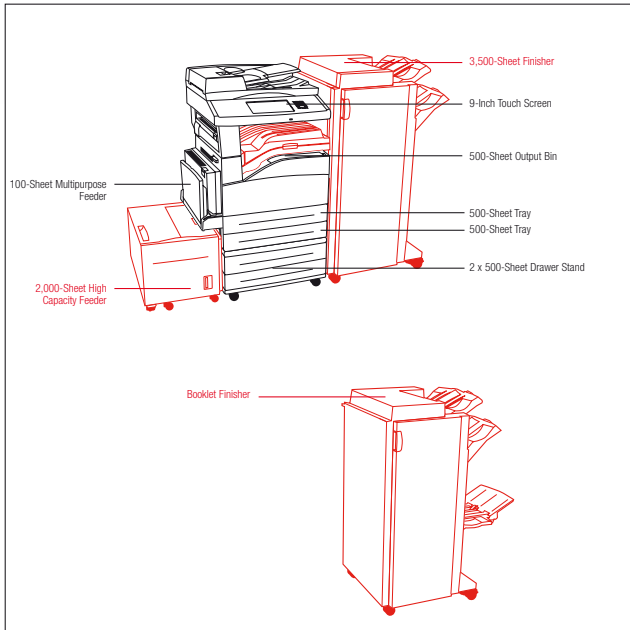
Up to 200000 pages per month

Recommended Monthly Page Volume

15000 - 50000 pages

Specified Operating Environment

Altitude: 0 - 3048 Meters (10,000 Feet), Humidity: 8 to 80% Relative Humidity, Temperature: 16 to 32°C (60 to 90°F)



Standard
 Optional

| | |
|---------------|---|
| Part # | Model |
| 19Z0101 | Lexmark X862dte 3 |
| Part # | Laser Toner/Print Cartridge |
| X860H21G | X860e, X862e, X864e High Yield Toner Cartridge |
| X860H22G | X860e, X862e, X864e Photoconductor Kit |
| 25A0013 | Staple Cartridges (3 pack) |
| 21Z0357 | Booklet Saddle Staple Cartridges (4 pack) |
| Part # | Paper Handling |
| 15R0145 | High Capacity Feeder |
| 15R0144 | Finisher (2/3-Hole) |
| 15R0335 | Booklet Finisher (2/3-Hole) |
| Part # | MFP Options |
| 37X5125 | MarkNet N8110 V.34 Fax Card |
| Part # | Memory Options |
| 1025041 | 256MB DDR2-DRAM |
| 1025042 | 512MB DDR2-DRAM |
| 1025043 | 1024MB DDR2-DRAM |
| 14F0245 | 256MB Flash Card |
| 30G0828 | Japanese Font Card |
| 30G0825 | Korean Font Card |
| 30G0826 | Simplified Chinese Font Card |
| 30G0827 | Traditional Chinese Font Card |
| 30G0287 | Arabic Font Card |
| Part # | Application Solutions |
| 30G0829 | Lexmark PrintEncryption Card |
| 19Z0030 | X860de, X862de, X864de Forms and Bar Code Card |
| 19Z0031 | X860de, X862de, X864de Card for IPDS/SCS/TNE |
| 19Z4039 | X860e, X862e, X864e Card for PRESCRIBE Emulation |
| Part # | Connectivity |
| 1021294 | USB Cable (2-meter) |
| 14F0042 | MarkNet N8130 Fiber Ethernet 100BaseFX, 10BaseFL Printer Server |
| 14F0040 | MarkNet N8150 802.11b/g/n Wireless Printer Server |
| 1021231 | Parallel Cable (10-foot) |
| 14F0000 | Parallel 1284-B Interface Card |
| 14F0100 | RS-232C Serial Interface Card |
| Part # | Extended Warranties |
| 2351572 | X862e 2-Years Total (1+1) Onsite Service, Next Business Day |
| 2351573 | X862e 3-Years Total (1+2) Onsite Service, Next Business Day |
| 2351574 | X862e 4-Years Total (1+3) Onsite Service, Next Business Day |
| 2351575 | X862e 5-Years Total (1+4) Onsite Service, Next Business Day |
| 2351576 | X862e 1-Year Onsite Service Renewal, Next Business Day |
| Part # | User Replaceable Parts |
| 40X0394 | X850e, X852e, X854e Fuser Maintenance Kit 110-120V |

| | |
|---------------|--|
| Part # | Service Parts |
| 40X2734 | X850e ADF Maintenance Kit |
| 40X0770 | X850e, X852e, X854e ADF Feed unit roll kit |
| Part # | Installation Service |
| 2351597 | X862e Install, De-Install Service |



11x17

Lexmark X862dte 4

High-volume monochrome multifunction (print/copy/scan/fax) with more – more speed, more paper capacity, and more possibilities for your digital office.

Print Technology

Monochrome Laser

Function

Printing, Network Scanning, Faxing, Copying

Display

Lexmark e-Task 9-inch (22.9 cm) color touch screen

Print Speed (Letter, Black)

Up to 45 ppm

Print Speed (Letter, Black) Duplex

Up to 45 ppm

Time to First Page (Black)

As fast as 6 seconds

Copy Speed (Letter, Black)

Up to 45 cpm

Time to First Copy (Black)

As fast as 7 seconds

Print Resolution, Black

600 x 600 dpi, 2400 Image Quality, 1200 x 1200 dpi

ADF Scan

RADF (Reversing Duplex)

Optical Scanning Resolution

600 X 300 dpi (color), 600 X 600 dpi

Processor

800 MHz

Memory, Standard

256 MB

Memory, Maximum

1280 MB

Hard Disk

Included in configuration

Expandable Memory Options

Yes

Apple Macintosh Operating Systems Supported

Mac OS 9.2, Mac OS X

Linux Operating Systems Supported

Ubuntu 8.10, 9.04, Debian GNU/Linux 5.0, SUSE Linux Enterprise Desktop 11, Ubuntu 8.04 LTS, Red Hat Linux Desktop 5.0, 6.0, Linspire Linux 6.0, Linpus Linux Desktop 9.2, 9.3, Red Hat Enterprise Linux WS 3.0, 4.0, 5.0, SUSE Linux Enterprise Server 8.0, 9.0, 10, 11, SUSE Linux Enterprise Desktop 10, openSUSE 10.2, 10.3, 11.0, 11.1, Debian GNU/Linux 4.0, Ubuntu 7.10

Microsoft Windows Operating Systems Supported

7, Server 2008 x64, Server 2008 running Terminal Services, Server 2008 x64 running Terminal Services, Server 2008, Vista, Server 2003 x64, 2000, XP, Server 2003, XP x64, Server 2003 running Terminal Services, 2000 Server running Terminal Services, Server 2003 x64 running Terminal Services, Vista x64

Novell Operating Systems Supported

NetWare 5.x, 6.x with iPrint or Novell Distributed Print Services (NDPS), Open Enterprise Server for Netware with NDS, iPrint or Novell Distributed Print Services (NDPS)

UNIX Operating Systems Supported

IBM AIX 5.2, 5.3, 6.1, HP-UX 11.11, 11.23, 11.31, Sun Solaris x86 10, Sun Solaris SPARC 8, 9, 10

Other Operating Systems Supported

Virtually any platform supporting TCP/IP, IBM iSeries or IBM AS/400® Systems with TCP/IP with OS/400® V3R1 or

later using OS/400 Host Print Transform

Paper Handling Standard

100-Sheet Multipurpose Feeder, 500-Sheet Output Bin, 2 x 500-Sheet Drawer, Duplex Unit, Two 500-Sheet Trays

Paper Handling Optional

Booklet Finisher, 3,500-Sheet Finisher, 2,000-Sheet High-Capacity Feeder

Paper Input Capacity, Standard: Up to

2,100 pages 20 lb or 75 gsm bond

Paper Input Capacity, Maximum: Up to

4,100 pages 20 lb or 75 gsm bond

Paper Output Capacity, Standard: Up to

500 pages 20 lb or 75 gsm bond

Paper Output Capacity, Maximum: Up to

3,800 pages 20 lb or 75 gsm bond

ADF Paper Input Capacity

Up to 75 pages 20 lb or 75 gsm bond

Finishing Option

Yes

Number of Paper Inputs, Standard

5

Number of Paper Inputs, Maximum

6

Media Types Supported

Refer to the Card Stock & Label Guide, Paper Labels, Envelopes, Card Stock, Plain Paper, Transparencies

Media Sizes Supported

Universal, Statement, Letter, Legal, Folio, DL Envelope, A5, A3, 10 Envelope, 7 3/4 Envelope, A4, C5 Envelope, Executive, JIS-B4, JIS-B5, Ledger

Standard Ports

Rear Hi-Speed USB Port Compatible with USB 2.0 Specification (Type A), Front Hi-Speed USB Port Compatible with USB 2.0 Specification (Type A), Hi-Speed USB Port Compatible with USB 2.0 Specification (Type B), One Internal Card Slot, Gigabit Ethernet (10/100/1000)

Optional Network Ports

Internal MarkNet™ N8150 802.11b/g/n Wireless, Lexmark N4050e 802.11g Wireless Printer Server (Print Only), Internal MarkNet™ N8130 Fiber Fast Ethernet

Optional Local Ports

Internal 1284-B Bidirectional Parallel, Internal RS-232C serial

Network Printing Methods

ThinPrint .print integration, IPP 1.1 (Internet Printing Protocol), Enhanced IP (Port 9400), HTTP, NDS Queue-based Printing, NDPS/NEPS (Novell Distributed Print Services), Novell Netware Enterprise Print Services, FTP, TFTP, Socket (Raw TCP/IP), LPR/LPD, Direct IP (Port 9100)

Network Protocol Support

UDP, TCP/IP IPv6, IPX/SPX, AppleTalk™, LexLink (DLC), TCP, TCP/IP IPv4

Network Security

IPSec, 802.1x Authentication: MD5, MSCHAPv2, LEAP, PEAP, TLS, TTLS, SNMPv3

Printer Languages (Standard)

Microsoft XPS (XML Paper Specification), PCL 5e Emulation, PCL 6 Emulation, Personal Printer Data Stream (PPDS), PostScript 3 Emulation, xHTML, PDF 1.6, Direct Image

Reducer / Enlarge Range

25 - 400 %

Scan Area, Maximum

297 x 432 mm

Scan Area, Maximum

11.7 x 17 inches

Modem Speed

33.6 Kbps

Supplies Yield

35,000*-page High Yield Toner Cartridge

Cartridge(s) Shipping with Product

35,000*-page High Yield Toner Cartridge

Packaged Size (mm - H x W x D)

1507 x 890 x 850 mm

Size (mm - H x W x D)

1095 x 641 x 705 mm

Packaged Size (in. - H x W x D)

59.3 x 35.0 x 33.5 in.

Size (in. - H x W x D)

43 x 25.25 x 27.75 in.

Size, Trays Extended (mm - H x W x D)

1095 x 971 x 705 mm

Weight (kg)

98.9 kg

Size, Trays Extended (in. - H x W x D)

43 x 38.25 x 27.75 in.

Weight (lb.)

218.0 lb.

Noise Level, Idle

30 dBA

Print Noise Level, Operating

62 dBA

Copy Noise Level, Operating

53 dBA

Scan Noise Level, Operating

55 dBA

Product Warranty

1-Year Onsite Service, Next Business Day

Product Certifications

Energy Star, Blue Angel (RAL-UZ-122), CSA, ICES Class A, BSMI Class A, VCCI Class A, FCC Class A, UL 60950-1, IEC 320-1, ECOMA-74, CE Class A, CB IEC 60950-1, IEC 61000-3-2, -3-3, EN 55022, EN 55024, CISPR 22 Class A, GS (TUV)-EN 60950-1, SEMKO, UL AR, CS, TÜV Rh, N Mark, C-tick Class A, CCC Class A, RPC, PSB, MIC, EK - K60950

Maximum Monthly Duty Cycle

Up to 200,000 pages per month

Recommended Monthly Page Volume

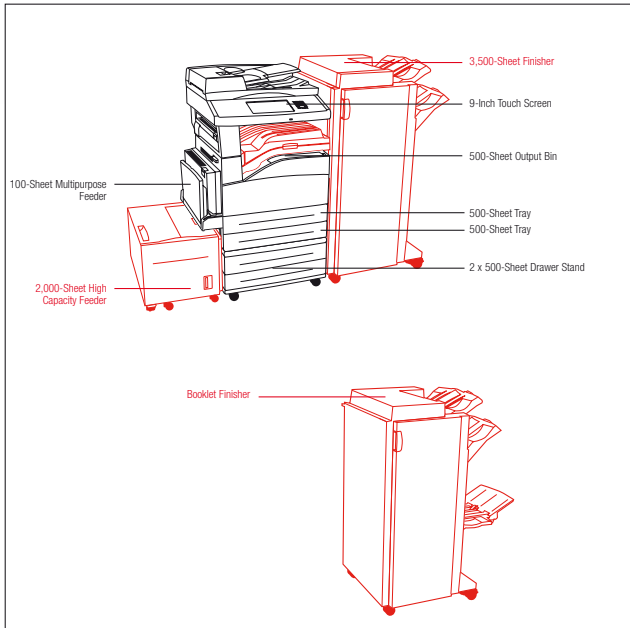
15,000 - 50,000 pages

Specified Operating Environment

Altitude: 0 - 3048 Meters (10,000 Feet), Temperature: 16 to 32°C (60 to 90°F), Humidity: 8 to 80% Relative



Humidity



■ Standard
■ Optional

| Part # | Model |
|---------|-------------------|
| 1920201 | Lexmark X862dte 4 |

| Part # | Laser Toner/Print Cartridge |
|----------|--|
| X860H21G | X860e, X862e, X864e High Yield Toner Cartridge |
| X860H22G | X860e, X862e, X864e Photoconductor Kit |
| 25A0013 | Staple Cartridges (3 pack) |
| 21Z0357 | Booklet Saddle Staple Cartridges (4 pack) |

| Part # | Paper Handling |
|---------|-----------------------------|
| 15R0145 | High Capacity Feeder |
| 15R0144 | Finisher (2/3-Hole) |
| 15R0335 | Booklet Finisher (2/3-Hole) |

| Part # | Memory Options |
|---------|-------------------------------|
| 1025041 | 256MB DDR2-DRAM |
| 1025042 | 512MB DDR2-DRAM |
| 1025043 | 1024MB DDR2-DRAM |
| 14F0245 | 256MB Flash Card |
| 30G0828 | Japanese Font Card |
| 30G0825 | Korean Font Card |
| 30G0826 | Simplified Chinese Font Card |
| 30G0827 | Traditional Chinese Font Card |
| 30G0287 | Arabic Font Card |

| Part # | Application Solutions |
|---------|--|
| 30G0829 | Lexmark PrintCrypton Card |
| 1920030 | X860de, X862de, X864de Forms and Bar Code Card |
| 1920031 | X860de, X862de, X864de Card for IPDS/SCS/TNe |
| 1924039 | X860e, X862e, X864e Card for PRESCRIBE Emulation |

| Part # | Connectivity |
|---------|---|
| 1021294 | USB Cable (2-meter) |
| 14F0042 | MarkNet N8130 Fiber Ethernet 100BaseFX, 10BaseFL Print Server |
| 14F0040 | MarkNet N8150 802.11b/g/n Wireless Print Server |
| 1021231 | Parallel Cable (10-foot) |
| 14F0000 | Parallel 1284-B Interface Card |
| 14F0100 | RS-232C Serial Interface Card |

| Part # | Extended Warranties |
|---------|---|
| 2351572 | X862e 2-Years Total (1+1) Onsite Service, Next Business Day |
| 2351573 | X862e 3-Years Total (1+2) Onsite Service, Next Business Day |
| 2351574 | X862e 4-Years Total (1+3) Onsite Service, Next Business Day |
| 2351575 | X862e 5-Years Total (1+4) Onsite Service, Next Business Day |
| 2351576 | X862e 1-Year Onsite Service Renewal, Next Business Day |

| Part # | User Replaceable Parts |
|---------|--|
| 40X0394 | X850e, X852e, X854e Fuser Maintenance Kit 110-120V |

| Part # | Service Parts |
|---------|---------------------------|
| 40X2734 | X85xe ADF Maintenance Kit |

| | |
|---------|--|
| 40X0770 | X850e, X852e, X854e ADF Feed unit roll kit |
|---------|--|

| Part # | Installation Service |
|---------|-----------------------------------|
| 2351597 | X862e Install, De-Install Service |



11x17

Lexmark X864dhe 3

High-volume monochrome multifunction (print/copy/scan) with maximum speed and input capacity for extraordinary digital office productivity.

Print Technology

Monochrome Laser

Function

Printing, Network Scanning, Copying

Display

Lexmark e-Task 9-inch (22.9 cm) color touch screen

Print Speed (Letter, Black)

Up to 55 ppm

Print Speed (Letter, Black) Duplex

Up to 50 spm

Time to First Page (Black)

As fast as 6.5 seconds

Copy Speed (Letter, Black)

Up to 55 cpm

Time to First Copy (Black)

As fast as 7 seconds

Print Resolution, Black

600 x 600 dpi, 2400 Image Quality, 1200 x 1200 dpi

ADF Scan

RADF (Reversing Duplex)

Optical Scanning Resolution

600 X 300 dpi (color), 600 X 600 dpi

Processor

800 MHz

Memory, Standard

256 MB

Memory, Maximum

1280 MB

Hard Disk

Included in configuration

Expandable Memory Options

Yes

Apple Macintosh Operating Systems Supported

Mac OS 9.2, Mac OS X

Linux Operating Systems Supported

Ubuntu 8.10, 9.04, Debian GNU/Linux 5.0, SUSE Linux Enterprise Desktop 11, Ubuntu 8.04 LTS, Red Hat Linux Desktop 5.0, 6.0, Linspire Linux 6.0, Linpus Linux Desktop 9.2, 9.3, Red Hat Enterprise Linux WS 3.0, 4.0, 5.0, SUSE Linux Enterprise Server 8.0, 9.0, 10, 11, SUSE Linux Enterprise Desktop 10, openSUSE 10.2, 10.3, 11.0, 11.1, Debian GNU/Linux 4.0, Ubuntu 7.10

Microsoft Windows Operating Systems Supported

7, Server 2008 x64, Server 2008 running Terminal Services, Server 2008 x64 running Terminal Services, Server 2008, Vista, Server 2003 x64, 2000, XP, Server 2003, XP x64, Server 2003 running Terminal Services, 2000 Server running Terminal Services, Server 2003 x64 running Terminal Services, Vista x64

Novell Operating Systems Supported

NetWare 5.x, 6.x with iPrint or Novell Distributed Print Services (NDPS), Open Enterprise Server for Netware with NDS, iPrint or Novell Distributed Print Services (NDPS)

UNIX Operating Systems Supported

IBM AIX 5.2, 5.3, 6.1, HP-UX 11.11, 11.23, 11.31, Sun Solaris x86 10, Sun Solaris SPARC 8, 9, 10

Other Operating Systems Supported

Virtually any platform supporting TCP/IP, IBM iSeries or IBM AS/400® Systems with TCP/IP with OS/400® V3R1 or

later using OS/400 Host Print Transform

Paper Handling Standard

2,000-Sheet Dual Input, Duplex Unit, 500-Sheet Output Bin, Two 500-Sheet Trays, 100-Sheet Multipurpose Feeder

Paper Handling Optional

Booklet Finisher, 3,500-Sheet Finisher, 2,000-Sheet High-Capacity Feeder

Paper Input Capacity, Standard: Up to

3100 pages 20 lb or 75 gsm bond

Paper Input Capacity, Maximum: Up to

5100 pages 20 lb or 75 gsm bond

Paper Output Capacity, Standard: Up to

500 pages 20 lb or 75 gsm bond

Paper Output Capacity, Maximum: Up to

3800 pages 20 lb or 75 gsm bond

ADF Paper Input Capacity

Up to 75 pages 20 lb or 75 gsm bond

Finishing Option

Yes

Number of Paper Inputs, Standard

5

Number of Paper Inputs, Maximum

6

Media Types Supported

Refer to the Card Stock & Label Guide, Paper Labels, Envelopes, Card Stock, Plain Paper, Transparencies

Media Sizes Supported

Universal, Statement, Letter, Legal, Folio, DL Envelope, A5, A3, 10 Envelope, 7 3/4 Envelope, A4, C5 Envelope, Executive, JIS-B4, JIS-B5, Ledger

Standard Ports

Rear Hi-Speed USB Port Compatible with USB 2.0 Specification (Type A), Front Hi-Speed USB Port Compatible with USB 2.0 Specification (Type A), Hi-Speed USB Port Compatible with USB 2.0 Specification (Type B), One Internal Card Slot, Gigabit Ethernet (10/100/1000)

Optional Network Ports

Internal MarkNet™ N8150 802.11b/g/n Wireless, Lexmark N4050e 802.11g Wireless Printer Server (Print Only), Internal MarkNet™ N8130 Fiber Fast Ethernet

Optional Local Ports

Internal 1284-B Bidirectional Parallel, Internal RS-232C serial

Network Printing Methods

ThinPrint .print integration, LPR/LPD, Direct IP (Port 9100), Socket (Raw TCP/IP), HTTP, NDS Queue-based Printing, NDPS/NEPS (Novell Distributed Print Services), Novell Netware Enterprise Print Services, Enhanced IP (Port 9400), FTP, TFTP, IPP 1.1 (Internet Printing Protocol)

Network Protocol Support

UDP, TCP, LexLink (DLC), TCP/IP IPv4, IPX/SPX, AppleTalk™, TCP/IP IPv6

Network Security

IPSec, SNMPv3, 802.1x Authentication: MD5, MSCHAPv2, LEAP, PEAP, TLS, TTLS

Printer Languages (Standard)

Microsoft XPS (XML Paper Specification), PCL 5e Emulation, PCL 6 Emulation, Personal Printer Data Stream (PPDS), PostScript 3 Emulation, xHTML, PDF 1.6, Direct Image

Reduce / Enlarge Range

25 - 400 %

Scan Area, Maximum

297 x 432 mm

Scan Area, Maximum

11.7 x 17 inches

Supplies Yield

35,000*-page High Yield Toner Cartridge

Cartridge(s) Shipping with Product

35,000*-page High Yield Toner Cartridge

Packaged Size (mm - H x W x D)

1507 x 890 x 850 mm

Size (mm - H x W x D)

1095 x 641 x 705 mm

Packaged Size (in. - H x W x D)

59.33 x 35.0 x 33.5 in.

Size (in. - H x W x D)

43 x 25.25 x 27.75 in.

Size, Trays Extended (mm - H x W x D)

1095 x 971 x 705 mm

Weight (kg)

106.1 kg

Size, Trays Extended (in. - H x W x D)

43 x 38.25 x 27.75 in.

Weight (lb.)

234 lb.

Noise Level, Idle

30 dBA

Print Noise Level, Operating

53 dBA

Copy Noise Level, Operating

54 dBA

Scan Noise Level, Operating

55 dBA

Product Warranty

1-Year Onsite Service, Next Business Day

Product Certifications

Energy Star, Blue Angel (RAL-UZ-122), CSA, ICES Class A, BSMI Class A, VCCI Class A, FCC Class A, UL 60950-1, IEC 320-1, ECOMA-74, CE Class A, CB IEC 60950-1, IEC 61000-3-2, -3-3, EN 55022, EN 55024, CISPIR 22 Class A, GS (TUV)-EN 60950-1, SEMKO, UL AR, CS, TÜV RH, N Mark, C-tick Class A, CCC Class A, RPC, PSB, MIC, EK - K60950

Maximum Monthly Duty Cycle

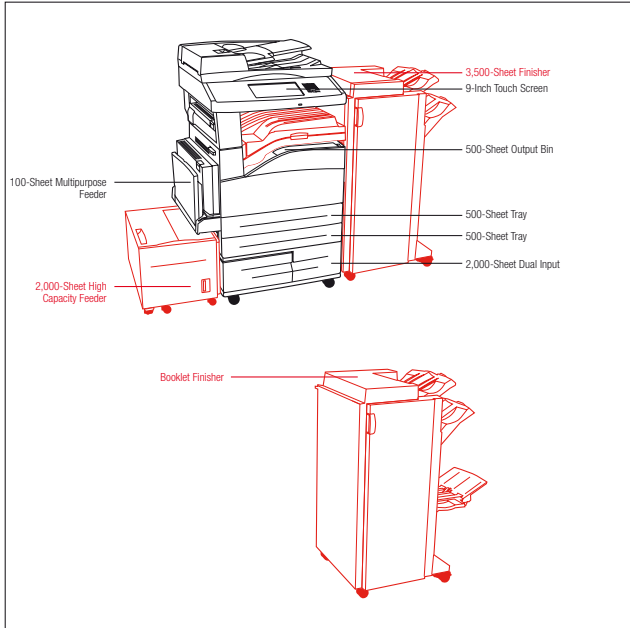
Up to 300000 pages per month

Recommended Monthly Page Volume

15000 - 50000 pages

Specified Operating Environment

Altitude: 0 - 3048 Meters (10,000 Feet), Humidity: 8 to 80% Relative Humidity, Temperature: 16 to 32°C (60 to 90°F)



Standard
 Optional

| Part # | Model |
|---------|-------------------|
| 1920102 | Lexmark X864dhe 3 |

| Part # | Laser Toner/Print Cartridge |
|----------|--|
| X860H21G | X860e, X862e, X864e High Yield Toner Cartridge |
| X860H22G | X860e, X862e, X864e Photoconductor Kit |
| 25A0013 | Staple Cartridges (3 pack) |
| 21Z0357 | Booklet Saddle Staple Cartridges (4 pack) |

| Part # | Paper Handling |
|---------|-----------------------------|
| 15R0145 | High Capacity Feeder |
| 15R0144 | Finisher (2/3-Hole) |
| 15R0335 | Booklet Finisher (2/3-Hole) |

| Part # | MFP Options |
|---------|-----------------------------|
| 37X5125 | MarkNet N8110 V.34 Fax Card |

| Part # | Memory Options |
|---------|-------------------------------|
| 1025041 | 256MB DDR2-DRAM |
| 1025042 | 512MB DDR2-DRAM |
| 1025043 | 1024MB DDR2-DRAM |
| 14F0245 | 256MB Flash Card |
| 30G0828 | Japanese Font Card |
| 30G0825 | Korean Font Card |
| 30G0826 | Simplified Chinese Font Card |
| 30G0827 | Traditional Chinese Font Card |
| 30G0287 | Arabic Font Card |

| Part # | Application Solutions |
|---------|--|
| 30G0829 | Lexmark Print/Cryptography Card |
| 1920030 | X860de, X862de, X864de Forms and Bar Code Card |
| 1920031 | X860de, X862de, X864de Card for IPDS/SCS/TNE |
| 19Z4039 | X860e, X862e, X864e Card for PRESCRIBE Emulation |

| Part # | Connectivity |
|---------|---|
| 1021294 | USB Cable (2-meter) |
| 14F0042 | MarkNet N8130 Fiber Ethernet 100BaseFX, 10BaseFL Printer Server |
| 14F0040 | MarkNet N8150 802.11b/g/n Wireless Printer Server |
| 1021231 | Parallel Cable (10-foot) |
| 14F0000 | Parallel 1284-B Interface Card |
| 14F0100 | RS-232C Serial Interface Card |

| Part # | Extended Warranties |
|---------|---|
| 2351600 | X864e 2-Years Total (1+1) Onsite Service, Next Business Day |
| 2351601 | X864e 3-Years Total (1+2) Onsite Service, Next Business Day |
| 2351602 | X864e 4-Years Total (1+3) Onsite Service, Next Business Day |
| 2351603 | X864e 5-Years Total (1+4) Onsite Service, Next Business Day |
| 2351604 | X864e 1-Year Onsite Service Renewal, Next Business Day |

| Part # | User Replaceable Parts |
|---------|--|
| 40X0394 | X850e, X852e, X854e Fuser Maintenance Kit 110-120V |

| Part # | Service Parts |
|---------|--|
| 40X2734 | X85e ADF Maintenance Kit |
| 40X0770 | X850e, X852e, X854e ADF Feed unit roll kit |

| Part # | Installation Service |
|---------|-----------------------------------|
| 2351625 | X864e Install, De-Install Service |



11x17

Lexmark X864dhe 4

High-volume monochrome multifunction (print/copy/scan/fax) with maximum speed and input capacity for extraordinary digital office productivity.

Print Technology

Monochrome Laser

Function

Printing, Network Scanning, Faxing, Copying

Display

Lexmark e-Task 9-inch (22.9 cm) color touch screen

Print Speed (Letter, Black)

Up to 55 ppm

Print Speed (Letter, Black) Duplex

Up to 50 spm

Time to First Page (Black)

As fast as 6.5 seconds

Copy Speed (Letter, Black)

Up to 55 cpm

Time to First Copy (Black)

As fast as 7 seconds

Print Resolution, Black

600 x 600 dpi, 2400 Image Quality, 1200 x 1200 dpi

ADF Scan

RADF (Reversing Duplex)

Optical Scanning Resolution

600 X 300 dpi (color), 600 X 600 dpi

Processor

800 MHz

Memory, Standard

256 MB

Memory, Maximum

1280 MB

Hard Disk

Included in configuration

Expandable Memory Options

Yes

Apple Macintosh Operating Systems Supported

Mac OS 9.2, Mac OS X

Linux Operating Systems Supported

Ubuntu 8.10, 9.04, Debian GNU/Linux 5.0, SUSE Linux Enterprise Desktop 11, Ubuntu 8.04 LTS, Red Hat Linux Desktop 5.0, 6.0, Linspire Linux 6.0, Linpus Linux Desktop 9.2, 9.3, Red Hat Enterprise Linux WS 3.0, 4.0, 5.0, SUSE Linux Enterprise Server 8.0, 9.0, 10, 11, SUSE Linux Enterprise Desktop 10, openSUSE 10.2, 10.3, 11.0, 11.1, Debian GNU/Linux 4.0, Ubuntu 7.10

Microsoft Windows Operating Systems Supported

7, Server 2008 x64, Server 2008 running Terminal Services, Server 2008 x64 running Terminal Services, Server 2008, Vista, Server 2003 x64, 2000, XP, Server 2003, XP x64, Server 2003 running Terminal Services, 2000 Server running Terminal Services, Server 2003 x64 running Terminal Services, Vista x64

Novell Operating Systems Supported

NetWare 5.x, 6.x with iPrint or Novell Distributed Print Services (NDPS), Open Enterprise Server for Netware with NDS, iPrint or Novell Distributed Print Services (NDPS)

UNIX Operating Systems Supported

IBM AIX 5.2, 5.3, 6.1, HP-UX 11.11, 11.23, 11.31, Sun Solaris x86 10, Sun Solaris SPARC 8, 9, 10

Other Operating Systems Supported

Virtually any platform supporting TCP/IP, IBM iSeries or IBM AS/400® Systems with TCP/IP with OS/400® V3R1 or

later using OS/400 Host Print Transform

Paper Handling Standard

2,000-Sheet Dual Input, Duplex Unit, 500-Sheet Output Bin, Two 500-Sheet Trays, 100-Sheet Multipurpose Feeder

Paper Handling Optional

Booklet Finisher, 3,500-Sheet Finisher, 2,000-Sheet High-Capacity Feeder

Paper Input Capacity, Standard: Up to

3,100 pages 20 lb or 75 gsm bond

Paper Input Capacity, Maximum: Up to

5,100 pages 20 lb or 75 gsm bond

Paper Output Capacity, Standard: Up to

500 pages 20 lb or 75 gsm bond

Paper Output Capacity, Maximum: Up to

3,800 pages 20 lb or 75 gsm bond

ADF Paper Input Capacity

Up to 75 pages 20 lb or 75 gsm bond

Finishing Option

Yes

Number of Paper Inputs, Standard

5

Number of Paper Inputs, Maximum

6

Media Types Supported

Refer to the Card Stock & Label Guide, Paper Labels, Envelopes, Card Stock, Plain Paper, Transparencies

Media Sizes Supported

Universal, Statement, Letter, Legal, Folio, DL Envelope, A5, A3, 10 Envelope, 7 3/4 Envelope, A4, C5 Envelope, Executive, JIS-B4, JIS-B5, Ledger

Standard Ports

Rear Hi-Speed USB Port Compatible with USB 2.0 Specification (Type A), Front Hi-Speed USB Port Compatible with USB 2.0 Specification (Type A), Hi-Speed USB Port Compatible with USB 2.0 Specification (Type B), One Internal Card Slot, Gigabit Ethernet (10/100/1000)

Optional Network Ports

Internal MarkNet™ N8150 802.11b/g/n Wireless, Lexmark N4050e 802.11g Wireless Print Server (Print Only), Internal MarkNet™ N8130 Fiber Fast Ethernet

Optional Local Ports

Internal 1284-B Bidirectional Parallel, Internal RS-232C serial

Network Printing Methods

ThinPrint .print integration, IPP 1.1 (Internet Printing Protocol), Enhanced IP (Port 9400), HTTP, NDPS Queue-based Printing, NDPS/NEPS (Novell Distributed Print Services), Novell Netware Enterprise Print Services, FTP, TFTP, Socket (Raw TCP/IP), LPR/LPD, Direct IP (Port 9100)

Network Protocol Support

UDP, TCP/IP IPv6, IPX/SPX, AppleTalk™, LexLink (DLC), TCP, TCP/IP IPv4

Network Security

IPSec, 802.1x Authentication: MD5, MSCHAPv2, LEAP, PEAP, TLS, TTLS, SNMPv3

Printer Languages (Standard)

Microsoft XPS (XML Paper Specification), PCL 5e Emulation, PCL 6 Emulation, Personal Printer Data Stream (PPDS), PostScript 3 Emulation, xHTML, PDF 1.6, Direct Image

Reduce / Enlarge Range

25 - 400 %

Scan Area, Maximum

297 x 432 mm

Scan Area, Maximum

11.7 x 17 inches

Modem Speed

33.6 Kbps

Supplies Yield

35,000*-page High Yield Toner Cartridge

Cartridge(s) Shipping with Product

35,000*-page High Yield Toner Cartridge

Packaged Size (mm - H x W x D)

1507 x 850 x 890 mm

Size (mm - H x W x D)

1095 x 641 x 705 mm

Packaged Size (in. - H x W x D)

59.33 x 33.5 x 35 in.

Size (in. - H x W x D)

43 x 25.25 x 27.75 in.

Weight (kg)

106.1 kg

Weight (lb.)

234 lb.

Noise Level, Idle

30 dBA

Print Noise Level, Operating

53 dBA

Copy Noise Level, Operating

54 dBA

Scan Noise Level, Operating

55 dBA

Product Warranty

1-Year Onsite Service, Next Business Day

Product Certifications

Energy Star, Blue Angel (RAL-UZ-122), CSA, ICES Class A, BSMI Class A, VCCI Class A, FCC Class A, UL 60950-1, IEC 320-1, ECOMA-74, CE Class A, CB IEC 60950-1, IEC 61000-3-2, -3, EN 55022, EN 55024, CISPR 22 Class A, GS (TÜV)-EN 60950-1, SEMKO, UL AR, CS, TÜV Rh, N Mark, C-tick Class A, CCC Class A, RPC, PSB, MIC, EK - K60950

Maximum Monthly Duty Cycle

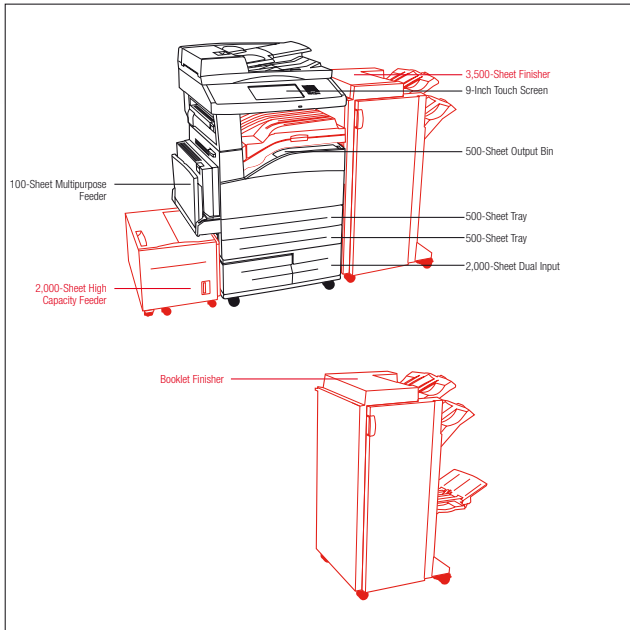
Up to 300,000 pages per month

Recommended Monthly Page Volume

15,000 - 50,000 pages

Specified Operating Environment

Altitude: 0 - 3048 Meters (10,000 Feet), Temperature: 16 to 32°C (60 to 90°F), Humidity: 80 to 80% Relative Humidity



Standard
 Optional

| Part # | Model |
|---------|-------------------|
| 1920202 | Lexmark X864dhe 4 |

| Part # | Laser Toner/Print Cartridge |
|----------|--|
| X860H21G | X860e, X862e, X864e High Yield Toner Cartridge |
| X860H22G | X860e, X862e, X864e Photoconductor Kit |
| 25A0013 | Staple Cartridges (3 pack) |
| 21Z0357 | Booklet Saddle Staple Cartridges (4 pack) |

| Part # | Paper Handling |
|---------|-----------------------------|
| 15R0145 | High Capacity Feeder |
| 15R0144 | Finisher (2/3-Hole) |
| 15R0335 | Booklet Finisher (2/3-Hole) |

| Part # | Memory Options |
|---------|-------------------------------|
| 1025041 | 256MB DDR2-DRAM |
| 1025042 | 512MB DDR2-DRAM |
| 1025043 | 1024MB DDR2-DRAM |
| 14F0245 | 256MB Flash Card |
| 30G0828 | Japanese Font Card |
| 30G0825 | Korean Font Card |
| 30G0826 | Simplified Chinese Font Card |
| 30G0827 | Traditional Chinese Font Card |
| 30G0287 | Arabic Font Card |

| Part # | Application Solutions |
|---------|--|
| 30G0829 | Lexmark PrintCrypton Card |
| 19Z0030 | X860de, X862de, X864de Forms and Bar Code Card |
| 19Z0031 | X860de, X862de, X864de Card for IPDS/SCS/TNe |
| 19Z4039 | X860e, X862e, X864e Card for PRESCRIBE Emulation |

| Part # | Connectivity |
|---------|---|
| 1021294 | USB Cable (2-meter) |
| 14F0042 | MarkNet N8130 Fiber Ethernet 100BaseFX, 10BaseFL Print Server |
| 14F0040 | MarkNet N8150 802.11b/g/n Wireless Print Server |
| 1021231 | Parallel Cable (10-foot) |
| 14F0000 | Parallel 1284-B Interface Card |
| 14F0100 | RS-232C Serial Interface Card |

| Part # | Extended Warranties |
|---------|---|
| 2351600 | X864e 2-Years Total (1+1) Onsite Service, Next Business Day |
| 2351601 | X864e 3-Years Total (1+2) Onsite Service, Next Business Day |
| 2351602 | X864e 4-Years Total (1+3) Onsite Service, Next Business Day |
| 2351603 | X864e 5-Years Total (1+4) Onsite Service, Next Business Day |
| 2351604 | X864e 1-Year Onsite Service Renewal, Next Business Day |

| Part # | User Replaceable Parts |
|---------|--|
| 40X0394 | X850e, X852e, X854e Fuser Maintenance Kit 110-120V |

| Part # | Service Parts |
|---------|---------------------------|
| 40X2734 | X85xe ADF Maintenance Kit |

| | |
|---------|--|
| 40X0770 | X850e, X852e, X854e ADF Feed unit roll kit |
| 2351625 | X864e Install, De-Install Service |



Lexmark CX310n

The Lexmark CX310n affordably delivers PANTONE® color matching, network capabilities and other features typically found only on higher-end systems.

Print Technology

Color Laser

Function

Color Scanning, Color Printing, Color Copying

Display

2.4-inch (6 cm) color LCD display

Print Speed (Letter, Black)

Up to 25 ppm

Print Speed (Letter, Color)

Up to 25 ppm

Time to First Page (Black)

As fast as 11.5 seconds

Time to First Page (Color)

As fast as 12.5 seconds

Copy Speed (Letter, Black)

Up to 25 cpm

Copy Speed (Letter, Color)

Up to 25 cpm

Time to First Copy (Black)

As fast as 11.5 seconds

Print Resolution, Black

4800 Color Quality (2400 x 600 dpi), 1200 x 1200 dpi

Print Resolution, Color

4800 Color Quality (2400 x 600 dpi), 1200 x 1200 dpi

ADF Scan

Simplex

Optical Scanning Resolution

1200 X 600 ppi (black), 600 X 600 ppi (color)

Processor

Dual Core, 800 MHz

Memory, Standard

512 MB

Memory, Maximum

2560 MB

Hard Disk

Not Available

Expandable Memory Options

Yes

Apple Macintosh Operating Systems Supported

Mac OS X (10.5, 10.6, 10.7, 10.8)

Linux Operating Systems Supported

Fedora 14, 15, 16, 17, Red Hat Enterprise Linux WS 4.0, 5.0, 6.0, Linpus Linux Desktop 9.6, SUSE Linux Enterprise Server 10, 11, SUSE Linux Enterprise Desktop 10, 11, Red Flag Linux Desktop 6.0, Debian GNU/Linux 5.0, 6.0, Ubuntu 11.04, 11.10, 12.04, Mint 9, 10, 11, 12, PCLinuxOS 2011.9, openSUSE 11.3, 11.4, 12.1

Microsoft Windows Operating Systems Supported

8 x64, Server 2008 R2 running Terminal Services, 8, Server 2008 R2, Windows 7, Server 2008 running Terminal Services, Server 2008, Vista, XP, Server 2003, XP x64, Server 2003 running Terminal Services, Server 2003 x64, Server 2003 x64 running Terminal Services, Vista x64, Server 2008 x64, Server 2008 x64 running Terminal Services, Windows 7 x64

Novell Operating Systems Supported

Open Enterprise Server on SUSE Linux Enterprise Server, NetWare 5.1 (SP 6+), 6.0 (SP 3+) with Novell Distributed Print Services (NDPS), NetWare 6.5 Open Enterprise Server

UNIX Operating Systems Supported

IBM AIX 5.3, 6.1, 7.1, Sun Solaris SPARC 9, 10, Sun Solaris x86 10, 11, HP-UX 11.11, 11.23, 11.31

Included Paper Handling

Single-Sheet Manual Feed, 150-Sheet Output Bin, 250-Sheet Input

Optional Paper Handling

550-Sheet Duo Tray with 100-Sheet Feeder

Paper Input Capacity, Standard: Up to

250+1 pages 20 lb or 75 gsm bond

Paper Input Capacity, Maximum: Up to

900+1 pages 20 lb or 75 gsm bond

Paper Output Capacity, Standard: Up to

150 pages 20 lb or 75 gsm bond

Paper Output Capacity, Maximum: Up to

150 pages 20 lb or 75 gsm bond

ADF Paper Input Capacity

Up to 50 pages 20 lb or 75 gsm bond

Finishing Option

No

Number of Paper Inputs, Standard

1

Number of Paper Inputs, Maximum

3

Media Types Supported

Refer to the Card Stock & Label Guide, Paper Labels, Card Stock, Transparencies, Plain Paper

Media Sizes Supported

Oficio, Universal, Letter, Legal, A5, A4, Executive, Folio, JIS-B5

Standard Ports

Gigabit Ethernet (10/100/1000), USB 2.0 Specification Hi-Speed Certified (Type B)

Optional Network Ports

MarkNet N8352 802.11b/g/n Wireless

Network Printing Methods

IPP 1.0, 1.1, 2.0 (Internet Printing Protocol), Enhanced IP (Port 9400), LPR/LPD, Direct IP (Port 9100), FTP, TFTP, Telnet

Network Protocol Support

UDP, AppleTalk™, TCP/IP IPv6, TCP, TCP/IP IPv4

Network Security

SNMPv3

Printer Languages (Standard)

PDF 1.7 emulation, PostScript 3 Emulation, Direct Image, Microsoft XPS (XML Paper Specification), Personal Printer Data Stream (PPDS), PCL 5c Emulation, PCL 6 Emulation

Reduce / Enlarge Range

25 - 400 %

Scan Area, Maximum

215.9 x 355.6 mm

Scan Area, Maximum

8.5 x 14 inches

Laser Cartridge Yields

2,500*-page Black Cartridge, 2,000*-page Color (CMY) Cartridges, 1,000*-page Black and Color (CMYK) Cartridges

Cartridge(s) Shipping with Product

750*-page Black and Color (CMYK) Starter Return Program Toner Cartridges

Replacement Cartridges:

Product functions only with replacement cartridges designed for use in a specific geographical region. See www.lexmark.com/regions for more details.

Packaged Size (mm - H x W x D)

567 x 558 x 594 mm

Size (mm - H x W x D)

470 x 444 x 558 mm

Packaged Size (in. - H x W x D)

22.32 x 21.97 x 23.39 in.

Size (in. - H x W x D)

18.44 x 17.48 x 21.99 in.

Weight (kg)

27.39 kg

Weight (lb.)

60.25 lb.

Noise Level, Idle

16 dBA

Print Noise Level, Operating

47 dBA

Copy Noise Level, Operating

48 dBA

Scan Noise Level, Operating

49 dBA

Product Warranty

1-Year Onsite Service, Next Business Day

Product Certifications

Blue Angel (RAL-UZ-122), CAN/CSA-C22.2 60950-1, CSA E60825-1, ICES-003 Class B, BSMI Class B, VCCI Class B, US FDA, FCC Class B, UL 60950-1, EN/IEC 60320-1, CE Class B, CB IEC 60950-1, EN 60950-1, EN/IEC 61000-3, EN 55022 Class B, EN 55024, EN/IEC 60825-1, UL/DEMKO GS, AR S, SMA C-tick mark Class B, CCC Class B, CISPIR 22 Class B, MIC Mark, EK Mark

Maximum Monthly Duty Cycle

Up to 60,000 pages per month

Recommended Monthly Page Volume

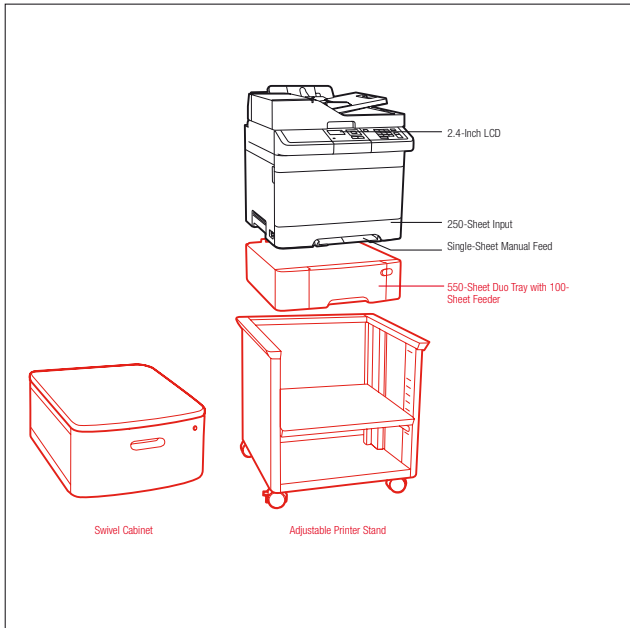
500 - 5,000 pages

Specified Operating Environment

Altitude: 0 - 2896 Meters (9,500 Feet), Humidity: 8 to 80% Relative Humidity, Temperature: 16 to 32°C (60 to 90°F)

License/Agreement Terms

Printers are sold subject to certain license/agreement conditions. See www.lexmark.com/printerlicense for details.



Standard
 Optional

| Part # | Model |
|---------|----------------|
| 28C0500 | Lexmark CX310n |

| Part # | Laser Toner/Print Cartridge |
|----------|---|
| 80C1SK0 | 801SK Black Standard Yield Return Program Toner Cartridge |
| 80C1SC0 | 801SC Cyan Standard Yield Return Program Toner Cartridge |
| 80C1SM0 | 801SM Magenta Standard Yield Return Program Toner Cartridge |
| 80C1SY0 | 801SY Yellow Standard Yield Return Program Toner Cartridge |
| 80C10K0 | 801K Black Return Program Toner Cartridge |
| 80C10C0 | 801C Cyan Return Program Toner Cartridge |
| 80C10M0 | 801M Magenta Return Program Toner Cartridge |
| 80C10Y0 | 801Y Yellow Return Program Toner Cartridge |
| 80C0S10 | 800S1 Black Standard Yield Toner Cartridge |
| 80C0S20 | 800S2 Cyan Standard Yield Toner Cartridge |
| 80C0S30 | 800S3 Magenta Standard Yield Toner Cartridge |
| 80C0S40 | 800S4 Yellow Standard Yield Toner Cartridge |
| 70C0Z10 | 700Z1 Black Imaging Kit |
| 70C0Z50 | 700Z5 Black and Colour Imaging Kit |
| 70C0D10 | 700D1 Black Developer Unit |
| 70C0D20 | 700D2 Cyan Developer Unit |
| 70C0D30 | 700D3 Magenta Developer Unit |
| 70C0D40 | 700D4 Yellow Developer Unit |
| 70C0P00 | 700P Photoconductor Unit |
| C540X75G | Waste Toner Bottle |

| Part # | Paper Handling |
|---------|--|
| 38C0626 | 550-Sheet Duo Tray with 100-Sheet Feeder |

| Part # | Furniture |
|---------|--------------------------|
| 35S8502 | Adjustable Printer Stand |
| 3073173 | Swivel Cabinet |

| Part # | Memory Options |
|---------|-------------------------------|
| 57X9016 | 1024MBx32 DDR3-DRAM |
| 57X9012 | 2048MBx32 DDR3-DRAM |
| 57X9101 | 256MB Flash Memory Card |
| 57X9115 | Japanese Font Card |
| 57X9114 | Korean Font Card |
| 57X9112 | Simplified Chinese Font Card |
| 57X9110 | Traditional Chinese Font Card |

| Part # | Application Solutions |
|---------|------------------------------------|
| 38C5051 | CX310 Card for PRESCRIBE Emulation |
| 38C5050 | CX310 Forms and Bar Code Card |

| Part # | Connectivity |
|---------|---|
| 1021294 | USB Cable (2-meter) |
| 27X0125 | Lexmark MarkNet 8352 802.11b/g/n Wireless |

| Part # | Extended Warranties |
|---------|--|
| 2356210 | CX310 2-Years Total (1+1) Onsite Service |

| | |
|---------|--|
| 2356211 | CX310 3-Years Total (1+2) Onsite Service |
| 2356212 | CX310 4-Years Total (1+3) Onsite Service |
| 2356213 | CX310 5-Years Total (1+4) Onsite Service |
| 2356214 | CX310 1-Year Onsite Service Renewal |

| Part # | User Replaceable Parts |
|---------|------------------------|
| 40X6247 | ADF Separator Pad |

| Part # | Service Parts |
|---------|---------------------------------|
| 40X7615 | Fuser Maintenance kit, 110-120V |
| 40X7610 | Image Transfer Unit |
| 40X7622 | Fuser, 110-120V |



Lexmark CX310dn

The Lexmark CX310 MFP Series color laser printer affordably delivers PANTONE® color matching that's typically found only on higher-end systems. Plus, it provides fast processor, print, copy and scan speeds.

Print Technology

Color Laser

Function

Color Scanning, Color Printing, Color Copying

Display

2.4-inch (6 cm) color LCD display

Print Speed (Letter, Black)

Up to 25 ppm

Print Speed (Letter, Color)

Up to 25 ppm

Print Speed (Letter, Black) Duplex

Up to 12 ppm

Time to First Page (Black)

As fast as 11.5 seconds

Time to First Page (Color)

As fast as 12.5 seconds

Copy Speed (Letter, Black)

Up to 25 cpm

Copy Speed (Letter, Color)

Up to 25 cpm

Time to First Copy (Black)

As fast as 11.5 seconds

Print Resolution, Black

4800 Color Quality (2400 x 600 dpi), 1200 x 1200 dpi

Print Resolution, Color

4800 Color Quality (2400 x 600 dpi), 1200 x 1200 dpi

ADF Scan

Simplex

Optical Scanning Resolution

1200 X 600 ppi (black), 600 X 600 ppi (color)

Processor

Dual Core, 800 MHz

Memory, Standard

512 MB

Memory, Maximum

2560 MB

Hard Disk

Not Available

Expandable Memory Options

Yes

Apple Macintosh Operating Systems Supported

Mac OS X (10.5, 10.6, 10.7, 10.8)

Linux Operating Systems Supported

Fedora 14, 15, 16, 17, Red Hat Enterprise Linux WS 4.0, 5.0, 6.0, Linpus Linux Desktop 9.6, SUSE Linux Enterprise Server 10, 11, SUSE Linux Enterprise Desktop 10, 11, Red Flag Linux Desktop 6.0, Debian GNU/Linux 5.0, 6.0, Ubuntu 11.04, 11.10, 12.04, Mint 9, 10, 11, 12, PCLinuxOS 2011.9, openSUSE 11.3, 11.4, 12.1

Microsoft Windows Operating Systems Supported

8 x64, Server 2008 R2 running Terminal Services, 8, Server 2008 R2, Windows 7, Server 2008 running Terminal Services, Server 2008, Vista, XP, Server 2003, XP x64, Server 2003 running Terminal Services, Server 2003 x64, Server 2003 x64 running Terminal Services, Vista x64, Server 2008 x64, Server 2008 x64 running Terminal Services, Windows 7 x64

Novell Operating Systems Supported

Open Enterprise Server on SUSE Linux Enterprise Server,

NetWare 5.1(SP 6+), 6.0(SP 3+) with Novell Distributed Print Services (NDPS), NetWare 6.5 Open Enterprise Server

UNIX Operating Systems Supported

IBM AIX 5.3, 6.1, 7.1, Sun Solaris SPARC 9, 10, Sun Solaris x86 10, 11, HP-UX 11.11, 11.23, 11.31

Included Paper Handling

Single-Sheet Manual Feed, Integrated Duplex, 250-Sheet Input, 150-Sheet Output Bin

Optional Paper Handling

550-Sheet Duo Tray with 100-Sheet Feeder

Paper Input Capacity, Standard: Up to

250+1 pages 20 lb or 75 gsm bond

Paper Input Capacity, Maximum: Up to

900+1 pages 20 lb or 75 gsm bond

Paper Output Capacity, Standard: Up to

150 pages 20 lb or 75 gsm bond

Paper Output Capacity, Maximum: Up to

150 pages 20 lb or 75 gsm bond

ADF Paper Input Capacity

Up to 50 pages 20 lb or 75 gsm bond

Finishing Option

No

Number of Paper Inputs, Standard

1

Number of Paper Inputs, Maximum

3

Media Types Supported

Refer to the Card Stock & Label Guide, Paper Labels, Card Stock, Transparencies, Plain Paper

Media Sizes Supported

Oficio, Universal, Letter, Legal, A5, A4, Executive, Folio, JIS-B5

Standard Ports

Gigabit Ethernet (10/100/1000), USB 2.0 Specification Hi-Speed Certified (Type B)

Optional Network Ports

MarkNet N8352 802.11b/g/n Wireless

Network Printing Methods

IPP 1.0, 1.1, 2.0 (Internet Printing Protocol), Enhanced IP (Port 9400), LPR/LPD, Direct IP (Port 9100), FTP, TFTP, Telnet

Network Protocol Support

UDP, AppleTalk™, TCP/IP IPv6, TCP, TCP/IP IPv4

Network Security

SNMPv3

Printer Languages (Standard)

PDF 1.7 emulation, PostScript 3 Emulation, Direct Image, Microsoft XPS (XML Paper Specification), Personal Printer Data Stream (PPDS), PCL 5c Emulation, PCL 6 Emulation

Reduce / Enlarge Range

25 - 400 %

Scan Area, Maximum

215.9 x 355.6 mm

Scan Area, Maximum

8.5 x 14 inches

Laser Cartridge Yields

2,500*-page Black Cartridge, 2,000*-page Color (CMY) Cartridges, 1,000*-page Black and Color (CMYK) Cartridges

Cartridge(s) Shipping with Product

1,400*-page Black and Color (CMYK) Starter Return Program Toner Cartridges

Replacement Cartridges:

Product functions only with replacement cartridges designed for use in a specific geographical region. See www.lexmark.com/regions for more details.

Packaged Size (mm - H x W x D)

567 x 558 x 594 mm

Size (mm - H x W x D)

470 x 444 x 558 mm

Packaged Size (in. - H x W x D)

22.32 x 21.97 x 23.39 in.

Size (in. - H x W x D)

18.44 x 17.48 x 21.99 in.

Weight (kg)

27.39 kg

Weight (lb.)

60.25 lb.

Noise Level, Idle

16 dBA

Print Noise Level, Operating

47 dBA

Copy Noise Level, Operating

48 dBA

Scan Noise Level, Operating

49 dBA

Product Warranty

1-Year Onsite Service, Next Business Day

Product Certifications

ENERGY STAR, Blue Angel (RAL-UZ-122), CAN/CSA-C22.2 60950-1, CSA E60825-1, ICES-003 Class B, BSMI Class B, VCCI Class B, US FDA, FCC Class B, UL 60950-1, EN/IEC 60320-1, CE Class B, CB IEC 60950-1, EN 60950-1, EN/IEC 61000-3, EN 55022 Class B, EN 55024, EN/IEC 60825-1, UL/DEMKO GS, AR S, SMA C-tick mark Class B, CCC Class B, CISPIR 22 Class B, MIC Mark, EK Mark

Maximum Monthly Duty Cycle

Up to 60000 pages per month

Recommended Monthly Page Volume

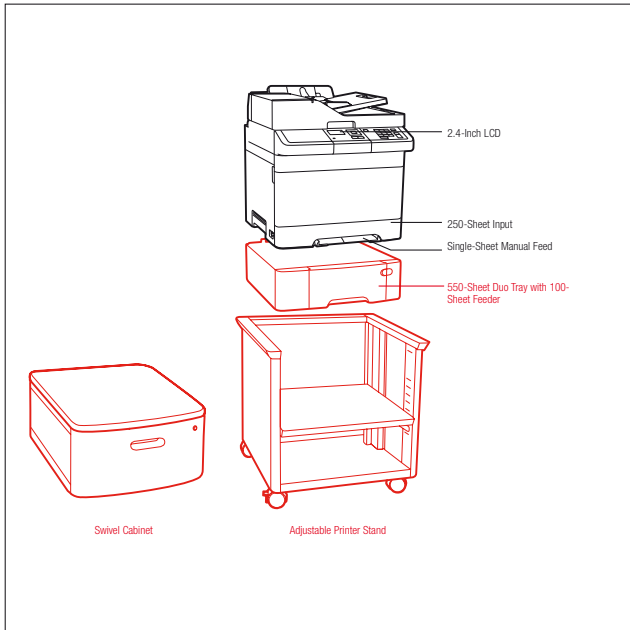
500 - 5000 pages

Specified Operating Environment

Altitude: 0 - 2896 Meters (9,500 Feet), Humidity: 8 to 80% Relative Humidity, Temperature: 16 to 32°C (60 to 90°F)

License/Agreement Terms

Printers are sold subject to certain license/agreement conditions. See www.lexmark.com/printerlicense for details.



Standard
 Optional

| Part # | Model |
|---------|-----------------|
| 28C0550 | Lexmark CX310dn |

| Part # | Laser Toner/Print Cartridge |
|----------|---|
| 80C1SK0 | 801SK Black Standard Yield Return Program Toner Cartridge |
| 80C1SC0 | 801SC Cyan Standard Yield Return Program Toner Cartridge |
| 80C1SM0 | 801SM Magenta Standard Yield Return Program Toner Cartridge |
| 80C1SY0 | 801SY Yellow Standard Yield Return Program Toner Cartridge |
| 80C10K0 | 801K Black Return Program Toner Cartridge |
| 80C10C0 | 801C Cyan Return Program Toner Cartridge |
| 80C10M0 | 801M Magenta Return Program Toner Cartridge |
| 80C10Y0 | 801Y Yellow Return Program Toner Cartridge |
| 80C0S10 | 800S1 Black Standard Yield Toner Cartridge |
| 80C0S20 | 800S2 Cyan Standard Yield Toner Cartridge |
| 80C0S30 | 800S3 Magenta Standard Yield Toner Cartridge |
| 80C0S40 | 800S4 Yellow Standard Yield Toner Cartridge |
| 70C0Z10 | 700Z1 Black Imaging Kit |
| 70C0Z50 | 700Z5 Black and Colour Imaging Kit |
| 70C0D10 | 700D1 Black Developer Unit |
| 70C0D20 | 700D2 Cyan Developer Unit |
| 70C0D30 | 700D3 Magenta Developer Unit |
| 70C0D40 | 700D4 Yellow Developer Unit |
| 70C0P00 | 700P Photoconductor Unit |
| C540X75G | Waste Toner Bottle |

| Part # | Paper Handling |
|---------|--|
| 38C0626 | 550-Sheet Duo Tray with 100-Sheet Feeder |

| Part # | Furniture |
|---------|--------------------------|
| 35S8502 | Adjustable Printer Stand |
| 3073173 | Swivel Cabinet |

| Part # | Memory Options |
|---------|-------------------------------|
| 57X9016 | 1024MBx32 DDR3-DRAM |
| 57X9012 | 2048MBx32 DDR3-DRAM |
| 57X9101 | 256MB Flash Memory Card |
| 57X9115 | Japanese Font Card |
| 57X9114 | Korean Font Card |
| 57X9112 | Simplified Chinese Font Card |
| 57X9110 | Traditional Chinese Font Card |

| Part # | Application Solutions |
|---------|------------------------------------|
| 38C5051 | CX310 Card for PRESCRIBE Emulation |
| 38C5050 | CX310 Forms and Bar Code Card |

| Part # | Connectivity |
|---------|---|
| 1021294 | USB Cable (2-meter) |
| 27X0125 | Lexmark MarkNet 8352 802.11b/g/n Wireless |

| Part # | Extended Warranties |
|---------|--|
| 2356210 | CX310 2-Years Total (1+1) Onsite Service |

| | |
|---------|--|
| 2356211 | CX310 3-Years Total (1+2) Onsite Service |
| 2356212 | CX310 4-Years Total (1+3) Onsite Service |
| 2356213 | CX310 5-Years Total (1+4) Onsite Service |
| 2356214 | CX310 1-Year Onsite Service Renewal |

| Part # | User Replaceable Parts |
|---------|------------------------|
| 40X6247 | ADF Separator Pad |

| Part # | Service Parts |
|---------|---------------------------------|
| 40X7615 | Fuser Maintenance kit, 110-120V |
| 40X7610 | Image Transfer Unit |
| 40X7622 | Fuser, 110-120V |



Lexmark CX410e

The Lexmark CX410e does more than deliver PANTONE® color matching and fast print, fax, copy and scan speeds—it offers solutions to help streamline your business.

Print Technology

Color Laser

Function

Color Scanning, Color Printing, Color Faxing, Color Copying

Display

Lexmark e-Task 4.3-inch (10.9 cm) color touch screen

Print Speed (Letter, Black)

Up to 32 ppm

Print Speed (Letter, Color)

Up to 32 ppm

Time to First Page (Black)

As fast as 10.5 seconds

Time to First Page (Color)

As fast as 11.5 seconds

Copy Speed (Letter, Black)

Up to 32 cpm

Copy Speed (Letter, Color)

Up to 32 cpm

Time to First Copy (Black)

As fast as 10.8 seconds

Print Resolution, Black

4800 Color Quality (2400 x 600 dpi), 1200 x 1200 dpi

Print Resolution, Color

4800 Color Quality (2400 x 600 dpi), 1200 x 1200 dpi

ADF Scan

RADF (Reversing Duplex)

Optical Scanning Resolution

1200 X 600 ppi (black), 600 X 600 ppi (color)

Processor

Dual Core, 800 MHz

Memory, Standard

512 MB

Memory, Maximum

2560 MB

Hard Disk

Not Available

Expandable Memory Options

Yes

Apple Macintosh Operating Systems Supported

Mac OS X (10.5, 10.6, 10.7, 10.8)

Linux Operating Systems Supported

Fedora 14, 15, 16, 17, Red Hat Enterprise Linux WS 4.0, 5.0, 6.0, Linux Desktop 9.6, SUSE Linux Enterprise Server 10, 11, SUSE Linux Enterprise Desktop 10, 11, Red Hat Linux Desktop 6.0, Debian GNU/Linux 5.0, 6.0, Ubuntu 11.04, 11.10, 12.04, Mint 9, 10, 11, 12, PCLinuxOS 2011.9, openSUSE 11.3, 11.4, 12.1

Microsoft Windows Operating Systems Supported

8 x64, 8, Windows 7 x64, Server 2008 R2, Server 2008 R2 running Terminal Services, Windows 7, Server 2008 running Terminal Services, Server 2008, XP, Server 2003, XP x64, Server 2003 running Terminal Services, Server 2003 x64, Server 2003 x64 running Terminal Services, Vista, Vista x64, Server 2008 x64, Server 2008 x64 running Terminal Services

Novell Operating Systems Supported

Open Enterprise Server on SUSE Linux Enterprise Server, NetWare 5.1(SP 6+), 6.0(SP 3+) with Novell Distributed Print Services (NDPS), NetWare 6.5 Open Enterprise Server

UNIX Operating Systems Supported

IBM AIX 5.3, 6.1, 7.1, HP-UX 11.11, 11.23, 11.31, Sun Solaris SPARC 9, 10, Sun Solaris x86 10, 11

Included Paper Handling

Single-Sheet Manual Feed, 150-Sheet Output Bin, 250-Sheet Input

Optional Paper Handling

550-Sheet Duo Tray with 100-Sheet Feeder, 550-Sheet Tray

Paper Input Capacity, Standard: Up to

150 pages 20 lb or 75 gsm bond

Paper Input Capacity, Maximum: Up to

1450+ pages 20 lb or 75 gsm bond

Paper Output Capacity, Standard: Up to

150 pages 20 lb or 75 gsm bond

Paper Output Capacity, Maximum: Up to

150 pages 20 lb or 75 gsm bond

ADF Paper Input Capacity

Up to 50 pages 20 lb or 75 gsm bond

Finishing Option

No

Number of Paper Inputs, Standard

1

Number of Paper Inputs, Maximum

4

Media Types Supported

Refer to the Card Stock & Label Guide, Paper Labels, Card Stock, Transparencies, Plain Paper

Media Sizes Supported

Oficio, Universal, Letter, Legal, A5, A4, Executive, Folio, JIS-B5

Standard Ports

Front USB 2.0 Specification Hi-Speed Certified Port (Type A), USB 2.0 Specification Hi-Speed Certified (Type B), Gigabit Ethernet (10/100/1000)

Optional Network Ports

MarkNet N8352 802.11b/g/n Wireless

Network Printing Methods

IPP 1.0, 1.1, 2.0 (Internet Printing Protocol), FTP, TFTP, ThinPrint, print integration, Telnet, Enhanced IP (Port 9400), LPR/LPD, Direct IP (Port 9100)

Network Protocol Support

UDP, TCP, AppleTalk™, TCP/IP IPv4, TCP/IP IPv6

Network Security

IPSec, SNMPv3, 802.1x Authentication: MD5, MSCHAPv2, LEAP, PEAP, TLS, TTLS

Printer Languages (Standard)

PDF 1.7 emulation, Microsoft XPS (XML Paper Specification), Direct Image, PostScript 3 Emulation, PCL 6 Emulation, PCL 5c Emulation, Personal Printer Data Stream (PPDS)

Reduce / Enlarge Range

25 - 400 %

Scan Area, Maximum

215.9 x 355.6 mm

Scan Area, Maximum

8.5 x 14 inches

Modem Speed

ITU T.30, V.34 Half-Duplex, 33.6 Kbps

Laser Cartridge Yields

4,000+ -page Black High Yield Cartridge, 3,000+ -page Color (CMY) High Yield Cartridges, 2,500+ -page Black Cartridge, 2,000+ -page Color (CMY) Cartridges, 1,000+ -page Black and Color (CMYK) Cartridges

Cartridge(s) Shipping with Product

1,400+ -page Black and Color (CMYK) Starter Return Program Toner Cartridges

Replacement Cartridges:

Product functions only with replacement cartridges designed for use in a specific geographical region. See www.lexmark.com/regions for more details.

Packaged Size (mm - H x W x D)

567 x 558 x 594 mm

Size (mm - H x W x D)

470 x 444 x 558 mm

Packaged Size (in. - H x W x D)

22.32 x 21.97 x 23.39 in.

Size (in. - H x W x D)

18.44 x 17.48 x 21.99 in.

Weight (kg)

27.39 kg

Weight (lb.)

60.25 lb.

Noise Level, Idle

16 dBA

Print Noise Level, Operating

49 dBA

Copy Noise Level, Operating

50 dBA

Scan Noise Level, Operating

50 dBA

Product Warranty

1-Year Onsite Service, Next Business Day

Product Certifications

Blue Angel (RAL-UZ-122), CAN/CSA-C22.2 60950-1, CSA E60825-1, ICES-003 Class B, BSMI Class B, VCCI Class B, US FDA, FCC Class B, UL 60950-1, EN/IEC 60320-1, CE Class B, CB IEC 60950-1, EN 60950-1, EN/IEC 61000-3, EN 55022 Class B, EN 55024, EN/IEC 60825-1, UL/DEMKO GS, AR S, SMA C-tick mark Class B, CCC Class B, CISPR 22 Class B, MIC Mark, EK Mark

Maximum Monthly Duty Cycle

Up to 75000 pages per month

Recommended Monthly Page Volume

800 - 6000 pages

Specified Operating Environment

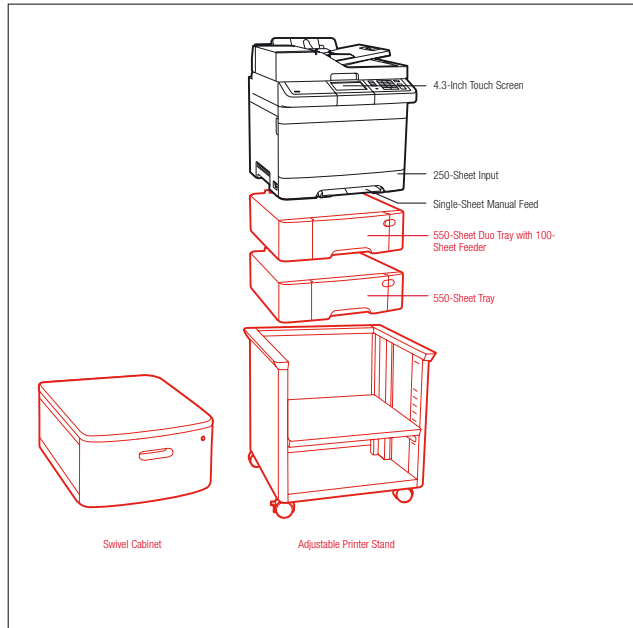
Altitude: 0 - 2896 Meters (9,500 Feet), Humidity: 8 to 80% Relative Humidity, Temperature: 16 to 32°C (60 to 90°F)

License/Agreement Terms

Printers are sold subject to certain license/agreement conditions. See www.lexmark.com/printerlicense for



details.



Standard
 Optional

| | |
|---------------|---|
| Part # | Model |
| 28D0500 | Lexmark CX410e |
| Part # | Laser Toner/Print Cartridge |
| 80C1HK0 | 801HK Black High Yield Return Program Toner Cartridge |
| 80C1HC0 | 801HC Cyan High Yield Return Program Toner Cartridge |
| 80C1HM0 | 801HM Magenta High Yield Return Program Toner Cartridge |
| 80C1HY0 | 801HY Yellow High Yield Return Program Toner Cartridge |
| 80C1SK0 | 801SK Black Standard Yield Return Program Toner Cartridge |
| 80C1SC0 | 801SC Cyan Standard Yield Return Program Toner Cartridge |
| 80C1SM0 | 801SM Magenta Standard Yield Return Program Toner Cartridge |
| 80C1SY0 | 801SY Yellow Standard Yield Return Program Toner Cartridge |
| 80C10K0 | 801K Black Return Program Toner Cartridge |
| 80C10C0 | 801C Cyan Return Program Toner Cartridge |
| 80C10M0 | 801M Magenta Return Program Toner Cartridge |
| 80C10Y0 | 801Y Yellow Return Program Toner Cartridge |
| 80C0H10 | 800H1 Black High Yield Toner Cartridge |
| 80C0H20 | 800H2 Cyan High Yield Toner Cartridge |
| 80C0H30 | 800H3 Magenta High Yield Toner Cartridge |
| 80C0H40 | 800H4 Yellow High Yield Toner Cartridge |
| 70C0Z10 | 700Z1 Black Imaging Kit |
| 70C0Z50 | 700Z5 Black and Colour Imaging Kit |
| 70C0D10 | 700D1 Black Developer Unit |
| 70C0D20 | 700D2 Cyan Developer Unit |
| 70C0D30 | 700D3 Magenta Developer Unit |
| 70C0D40 | 700D4 Yellow Developer Unit |
| 70C0P00 | 700P Photoconductor Unit |
| C540X75G | Waste Toner Bottle |
| Part # | Paper Handling |
| 38C0626 | 550-Sheet Duo Tray with 100-Sheet Feeder |
| 38C0636 | 550-Sheet Tray |
| Part # | Furniture |
| 35S8502 | Adjustable Printer Stand |
| 3073173 | Swivel Cabinet |
| Part # | Memory Options |
| 57X9016 | 1024Mbx32 DDR3-DRAM |
| 57X9012 | 2048Mbx32 DDR3-DRAM |
| 57X9101 | 256MB Flash Memory Card |
| 57X9115 | Japanese Font Card |
| 57X9114 | Korean Font Card |
| 57X9112 | Simplified Chinese Font Card |
| 57X9110 | Traditional Chinese Font Card |
| Part # | Application Solutions |
| 38C5053 | CX410 Card for PRESCRIBE Emulation |
| 38C5052 | CX410 Forms and Bar Code Card |
| Part # | Connectivity |
| 1021294 | USB Cable (2-meter) |

| | |
|---------------|--|
| 27X0125 | Lexmark Net 8352 802.11b/g/n Wireless |
| Part # | Extended Warranties |
| 2356248 | CX410 2-Years Total (1+1) Onsite Service |
| 2356249 | CX410 3-Years Total (1+2) Onsite Service |
| 2356250 | CX410 4-Years Total (1+3) Onsite Service |
| 2356251 | CX410 5-Years Total (1+4) Onsite Service |
| 2356252 | CX410 1-Year Onsite Service Renewal |
| Part # | Service Parts |
| 40X7615 | Fuser Maintenance kit, 110-120V |
| 40X7610 | Image Transfer Unit |
| 40X7622 | Fuser, 110-120V |
| 40X9108 | ADF Separator Roller |



Lexmark CX410de

The Lexmark CX410 MFP Series color laser desktop printer does more than deliver PANTONE® color matching and fast print, fax, copy and scan speeds—it offers optional solutions to help streamline your business.

Print Technology

Color Laser

Function

Color Scanning, Color Printing, Color Faxing, Color Copying Display

Lexmark e-Task 4.3-inch (10.9 cm) color touch screen

Print Speed (Letter, Black)

Up to 32 ppm

Print Speed (Letter, Color)

Up to 32 ppm

Print Speed (Letter, Black) Duplex

Up to 15 ppm

Time to First Page (Black)

As fast as 10.5 seconds

Time to First Page (Color)

As fast as 11.5 seconds

Copy Speed (Letter, Black)

Up to 32 cpm

Copy Speed (Letter, Color)

Up to 32 cpm

Time to First Copy (Black)

As fast as 10.8 seconds

Print Resolution, Black

4800 Color Quality (2400 x 600 dpi), 1200 x 1200 dpi

Print Resolution, Color

4800 Color Quality (2400 x 600 dpi), 1200 x 1200 dpi

ADF Scan

RADF (Reversing Duplex)

Optical Scanning Resolution

1200 X 600 ppi (black), 600 X 600 ppi (color)

Processor

Dual Core, 800 MHz

Memory, Standard

512 MB

Memory, Maximum

2560 MB

Hard Disk

Not Available

Expandable Memory Options

Yes

Apple Macintosh Operating Systems Supported

Mac OS X (10.5, 10.6, 10.7, 10.8)

Linux Operating Systems Supported

Fedora 14, 15, 16, 17, Red Hat Enterprise Linux WS 4.0, 5.0, 6.0, Linpus Linux Desktop 9.6, SUSE Linux Enterprise Server 10, 11, SUSE Linux Enterprise Desktop 10, 11, Red Flag Linux Desktop 6.0, Debian GNU/Linux 5.0, 6.0, Ubuntu 11.04, 11.10, 12.04, Mint 9, 10, 11, 12, PCLinuxOS 2011.9, openSUSE 11.3, 11.4, 12.1

Microsoft Windows Operating Systems Supported

8 x64, 8, Windows 7 x64, Server 2008 R2, Server 2008 R2 running Terminal Services, Windows 7, Server 2008 running Terminal Services, Server 2008, XP, Server 2003, XP x64, Server 2003 running Terminal Services, Server 2003 x64, Server 2003 x64 running Terminal Services, Vista, Vista x64, Server 2008 x64, Server 2008 x64 running Terminal Services

Novell Operating Systems Supported

Open Enterprise Server on SUSE Linux Enterprise Server,

NetWare 5.1(SP 6+), 6.0(SP 3+) with Novell Distributed Print Services (NDPS), NetWare 6.5 Open Enterprise Server

UNIX Operating Systems Supported

IBM AIX 5.3, 6.1, 7.1, HP-UX 11.11, 11.23, 11.31, Sun Solaris SPARC 9, 10, Sun Solaris x86 10, 11

Included Paper Handling

Single-Sheet Manual Feed, Integrated Duplex, 150-Sheet Output Bin, 250-Sheet Input

Optional Paper Handling

550-Sheet Duo Tray with 100-Sheet Feeder, 550-Sheet Tray

Paper Input Capacity, Standard: Up to

250+1 pages 20 lb or 75 gsm bond

Paper Input Capacity, Maximum: Up to

1450+1 pages 20 lb or 75 gsm bond

Paper Output Capacity, Standard: Up to

150 pages 20 lb or 75 gsm bond

Paper Output Capacity, Maximum: Up to

150 pages 20 lb or 75 gsm bond

ADF Paper Input Capacity

Up to 50 pages 20 lb or 75 gsm bond

Finishing Option

No

Number of Paper Inputs, Standard

1

Number of Paper Inputs, Maximum

4

Media Types Supported

Refer to the Card Stock & Label Guide, Paper Labels, Card Stock, Transparencies, Plain Paper

Media Sizes Supported

Oficio, Universal, Letter, Legal, A5, A4, Executive, Folio, JIS-B5

Standard Ports

Front USB 2.0 Specification Hi-Speed Certified Port (Type A), USB 2.0 Specification Hi-Speed Certified (Type B), Gigabit Ethernet (10/100/1000)

Optional Network Ports

MarkNet NB352 802.11b/g/n Wireless

Network Printing Methods

IPP 1.0, 1.1, 2.0 (Internet Printing Protocol), FTP, TFTP, ThinPrint .print integration, Telnet, Enhanced IP (Port 9400), LPR/LPD, Direct IP (Port 9100)

Network Protocol Support

UDP, TCP, AppleTalk™, TCP/IP IPv4, TCP/IP IPv6

Network Security

IPSec, SNMPv3, 802.1x Authentication: MD5, MSCHAPv2, LEAP, PEAP, TLS, TTLS

Printer Languages (Standard)

PDF 1.7 emulation, Microsoft XPS (XML Paper Specification), Direct Image, PostScript 3 Emulation, PCL 6 Emulation, PCL 5c Emulation, Personal Printer Data Stream (PPDS)

Reduce / Enlarge Range

25 - 400 %

Scan Area, Maximum

215.9 x 355.6 mm

Scan Area, Maximum

8.5 x 14 inches

Modem Speed

ITU T.30, V.34 Half-Duplex, 33.6 Kbps

Laser Cartridge Yields

4,000*-page Black High Yield Cartridge, 3,000*-page Color (CMY) High Yield Cartridges, 2,500*-page Black Cartridge, 2,000*-page Color (CMY) Cartridges, 1,000*-page Black and Color (CMYK) Cartridges

Cartridge(s) Shipping with Product

1,400*-page Black and Color (CMYK) Starter Return Program Toner Cartridges

Replacement Cartridges:

Product functions only with replacement cartridges designed for use in a specific geographical region. See www.lexmark.com/regions for more details.

Packaged Size (mm - H x W x D)

567 x 558 x 594 mm

Size (mm - H x W x D)

470 x 444 x 558 mm

Packaged Size (in. - H x W x D)

22.32 x 21.97 x 23.39 in.

Size (in. - H x W x D)

18.44 x 17.48 x 21.99 in.

Weight (kg)

27.39 kg

Weight (lb.)

60.25 lb.

Noise Level, Idle

16 dBA

Print Noise Level, Operating

49 dBA

Copy Noise Level, Operating

50 dBA

Scan Noise Level, Operating

50 dBA

Product Warranty

1-Year Onsite Service, Next Business Day

Product Certifications

ENERGY STAR, Blue Angel (RAL-UZ-122), CAN/CSA-C22.2 60950-1, CSA E60825-1, IEC5-003 Class B, BSMI Class B, VCCI Class B, US FDA, FCC Class B, UL 60950-1, EN IEC 60320-1, CE Class B, CB IEC 60950-1, EN 60950-1, EN/IEC 61000-3, EN 55022 Class B, EN 55024, EN/IEC 60825-1, UL/DEMKO GS, AR S, SMA C-tick mark Class B, CCC Class B, CISPIR 22 Class B, MIC Mark, EK Mark

Maximum Monthly Duty Cycle

Up to 75000 pages per month

Recommended Monthly Page Volume

800 - 6000 pages

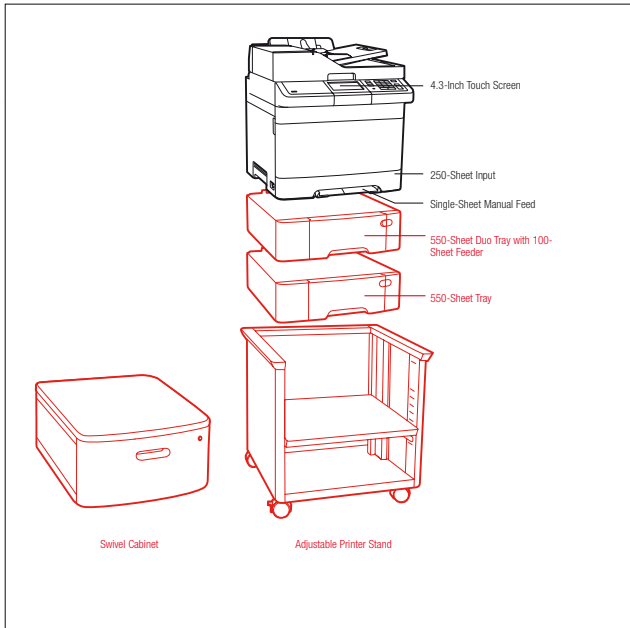
Specified Operating Environment

Altitude: 0 - 2896 Meters (9,500 Feet), Humidity: 8 to 80% Relative Humidity, Temperature: 16 to 32°C (60 to 90°F)



License/Agreement Terms

Printers are sold subject to certain license/agreement conditions. See www.lexmark.com/printerlicense for details.



■ Standard
■ Optional

| Part # | Model |
|----------|---|
| 28D0550 | Lexmark CX410de |
| Part # | Laser Toner/Print Cartridge |
| 80C1HK0 | 801HK Black High Yield Return Program Toner Cartridge |
| 80C1HC0 | 801HC Cyan High Yield Return Program Toner Cartridge |
| 80C1HM0 | 801HM Magenta High Yield Return Program Toner Cartridge |
| 80C1HY0 | 801HY Yellow High Yield Return Program Toner Cartridge |
| 80C1SK0 | 801SK Black Standard Yield Return Program Toner Cartridge |
| 80C1SC0 | 801SC Cyan Standard Yield Return Program Toner Cartridge |
| 80C1SM0 | 801SM Magenta Standard Yield Return Program Toner Cartridge |
| 80C1SY0 | 801SY Yellow Standard Yield Return Program Toner Cartridge |
| 80C10K0 | 801K Black Return Program Toner Cartridge |
| 80C10C0 | 801C Cyan Return Program Toner Cartridge |
| 80C10M0 | 801M Magenta Return Program Toner Cartridge |
| 80C10Y0 | 801Y Yellow Return Program Toner Cartridge |
| 80C0H10 | 800H1 Black High Yield Toner Cartridge |
| 80C0H20 | 800H2 Cyan High Yield Toner Cartridge |
| 80C0H30 | 800H3 Magenta High Yield Toner Cartridge |
| 80C0H40 | 800H4 Yellow High Yield Toner Cartridge |
| 70C0Z10 | 700Z1 Black Imaging Kit |
| 70C0Z50 | 700Z5 Black and Colour Imaging Kit |
| 70C0D10 | 700D1 Black Developer Unit |
| 70C0D20 | 700D2 Cyan Developer Unit |
| 70C0D30 | 700D3 Magenta Developer Unit |
| 70C0D40 | 700D4 Yellow Developer Unit |
| 70C0P00 | 700P Photoconductor Unit |
| C540X75G | Waste Toner Bottle |
| Part # | Paper Handling |
| 38C0626 | 550-Sheet Duo Tray with 100-Sheet Feeder |
| 38C0636 | 550-Sheet Tray |
| Part # | Furniture |
| 35S8502 | Adjustable Printer Stand |
| 3073173 | Swivel Cabinet |
| Part # | Memory Options |
| 57X9016 | 1024MbX32 DDR3-DRAM |
| 57X9012 | 2048MbX32 DDR3-DRAM |
| 57X9101 | 256MB Flash Memory Card |
| 57X9115 | Japanese Font Card |
| 57X9114 | Korean Font Card |
| 57X9112 | Simplified Chinese Font Card |
| 57X9110 | Traditional Chinese Font Card |
| Part # | Application Solutions |
| 38C5053 | CX410 Card for PRESCRIBE Emulation |
| 38C5052 | CX410 Forms and Bar Code Card |
| Part # | Connectivity |
| 1021294 | USB Cable (2-meter) |

| 27X0125 | Lexmark MarkNet 8352 802.11b/g/n Wireless |
|---------|---|
| Part # | Extended Warranties |
| 2356248 | CX410 2-Years Total (1+1) Onsite Service |
| 2356249 | CX410 3-Years Total (1+2) Onsite Service |
| 2356250 | CX410 4-Years Total (1+3) Onsite Service |
| 2356251 | CX410 5-Years Total (1+4) Onsite Service |
| 2356252 | CX410 1-Year Onsite Service Renewal |
| Part # | Service Parts |
| 40X7615 | Fuser Maintenance kit, 110-120V |
| 40X7610 | Image Transfer Unit |
| 40X7622 | Fuser, 110-120V |
| 40X9108 | ADF Separator Roller |



Lexmark CX410dte

The Lexmark CX410dte does more than deliver PANTONE® color matching, 2-sided printing and fast print, fax, copy and scan speeds—it offers solutions to help streamline your business.

Print Technology

Color Laser

Function

Color Scanning, Color Printing, Color Faxing, Color Copying

Display

Lexmark e-Task 4.3-inch (10.9 cm) color touch screen

Print Speed (Letter, Black)

Up to 32 ppm

Print Speed (Letter, Color)

Up to 32 ppm

Print Speed (Letter, Black) Duplex

Up to 15 ppm

Time to First Page (Black)

As fast as 10.5 seconds

Time to First Page (Color)

As fast as 11.5 seconds

Copy Speed (Letter, Black)

Up to 32 cpm

Copy Speed (Letter, Color)

Up to 32 cpm

Time to First Copy (Black)

As fast as 10.8 seconds

Print Resolution, Black

4800 Color Quality (2400 x 600 dpi), 1200 x 1200 dpi

Print Resolution, Color

4800 Color Quality (2400 x 600 dpi), 1200 x 1200 dpi

ADF Scan

RADF (Reversing Duplex)

Optical Scanning Resolution

1200 X 600 ppi (black), 600 X 600 ppi (color)

Processor

Dual Core, 800 MHz

Memory, Standard

512 MB

Memory, Maximum

2560 MB

Hard Disk

Not Available

Expandable Memory Options

Yes

Apple Macintosh Operating Systems Supported

Mac OS X (10.5, 10.6, 10.7, 10.8)

Linux Operating Systems Supported

Fedora 14, 15, 16, 17, Red Hat Enterprise Linux WS 4.0, 5.0, 6.0, Linpus Linux Desktop 9.6, SUSE Linux Enterprise Server 10, 11, SUSE Linux Enterprise Desktop 10, 11, Red Flag Linux Desktop 6.0, Debian GNU/Linux 5.0, 6.0, Ubuntu 2011.9, openSUSE 11.3, 11.4, 12.1

Microsoft Windows Operating Systems Supported

8 x64, 8, Windows 7 x64, Server 2008 R2, Server 2008 R2 running Terminal Services, Windows 7, Server 2008 running Terminal Services, Server 2008, XP, Server 2003, XP x64, Server 2003 running Terminal Services, Server 2003 x64, Server 2003 x64 running Terminal Services, Vista, Vista x64, Server 2008 x64, Server 2008 x64 running Terminal Services

Novell Operating Systems Supported

Open Enterprise Server on SUSE Linux Enterprise Server,

NetWare 5.1(SP 6+), 6.0(SP 3+) with Novell Distributed Print Services (NDPS), NetWare 6.5 Open Enterprise Server

UNIX Operating Systems Supported

IBM AIX 5.3, 6.1, 7.1, HP-UX 11.11, 11.23, 11.31, Sun Solaris SPARC 9, 10, Sun Solaris x86 10, 11

Included Paper Handling

Single-Sheet Manual Feed, Integrated Duplex, 150-Sheet Output Bin, 250-Sheet Input, 550-Sheet Duo Tray with 100-Sheet Feeder

Optional Paper Handling

550-Sheet Tray

Paper Input Capacity, Standard: Up to

900+1 pages 20 lb or 75 gsm bond

Paper Input Capacity, Maximum: Up to

1450+1 pages 20 lb or 75 gsm bond

Paper Output Capacity, Standard: Up to

150 pages 20 lb or 75 gsm bond

Paper Output Capacity, Maximum: Up to

150 pages 20 lb or 75 gsm bond

ADF Paper Input Capacity

Up to 50 pages 20 lb or 75 gsm bond

Finishing Option

No

Number of Paper Inputs, Standard

3

Number of Paper Inputs, Maximum

4

Media Types Supported

Refer to the Card Stock & Label Guide, Paper Labels, Envelopes, Card Stock, Transparencies, Plain Paper

Media Sizes Supported

A6, Oficio, Universal, Statement, Folio, DL Envelope, B5 Envelope, A4, 7 3/4 Envelope, 10 Envelope, 9 Envelope, A5, C5 Envelope, Executive, JIS-B5, Legal, Letter

Standard Ports

Front USB 2.0 Specification Hi-Speed Certified Port (Type A), USB 2.0 Specification Hi-Speed Certified (Type B), Gigabit Ethernet (10/100/1000)

Optional Network Ports

MarkNet N8352 802.11b/g/n Wireless

Network Printing Methods

IPP 1.0, 1.1, 2.0 (Internet Printing Protocol), FTP, TFTP, ThinPrint .print integration, Telnet, Enhanced IP (Port 9400), LPR/LPD, Direct IP (Port 9100)

Network Protocol Support

UDP, TCP, AppleTalk™, TCP/IP IPv4, TCP/IP IPv6

Network Security

IPSec, SNMPv3, 802.1x Authentication: MD5, MSCHAPv2,

LEAP, PEAP, TLS, TTLS

Printer Languages (Standard)

PDF 1.7 emulation, Microsoft XPS (XML Paper Specification), Direct Image, PostScript 3 Emulation, PCL 6 Emulation, PCL 5c Emulation, Personal Printer Data Stream (PPDS)

Reduce / Enlarge Range

25 - 400 %

Scan Area, Maximum

215.9 x 355.6 mm

Scan Area, Maximum

8.5 x 14 inches

Modem Speed

ITU T.30, V.34 Half-Duplex, 33.6 Kbps

Laser Cartridge Yields

4,000*-page Black High Yield Cartridge, 3,000*-page Color (CMY) High Yield Cartridges, 2,500*-page Black Cartridge, 2,000*-page Color (CMY) Cartridges, 1,000*-page Black and Color (CMYK) Cartridges

Cartridge(s) Shipping with Product

1,400*-page Black and Color (CMYK) Starter Return Program Toner Cartridges

Replacement Cartridges:

Product functions only with replacement cartridges designed for use in a specific geographical region. See www.lexmark.com/regions for more details.

Packaged Size (mm - H x W x D)

785 x 558 x 594 mm

Size (mm - H x W x D)

600.3 x 444 x 558 mm

Packaged Size (in. - H x W x D)

30.91 x 21.97 x 23.39 in.

Size (in. - H x W x D)

23.63 x 17.48 x 21.99 in.

Weight (kg)

31.6 kg

Weight (lb.)

69.55 lb.

Noise Level, Idle

16 dBA

Print Noise Level, Operating

49 dBA

Copy Noise Level, Operating

50 dBA

Scan Noise Level, Operating

50 dBA

Product Warranty

1-Year Onsite Service, Next Business Day

Product Certifications

ENERGY STAR, Blue Angel (RAL-UZ-122), CAN/CSA-C22.2 60950-1, CSA E60825-1, ICES-003 Class B, BSMI Class B, VCCI Class B, US FDA, FCC Class B, UL 60950-1, EN/IEC 60320-1, CE Class B, CB IEC 60950-1, EN 60950-1, EN/IEC 61000-3, EN 55022 Class B, EN 55024, EN/IEC 60825-1, UL/DEMKO GS, AR S, SMA C-tick mark Class B, CCC Class B, CISPIR 22 Class B, MIC Mark, EK Mark

Maximum Monthly Duty Cycle

Up to 75000 pages per month

Recommended Monthly Page Volume

800 - 6000 pages

Specified Operating Environment

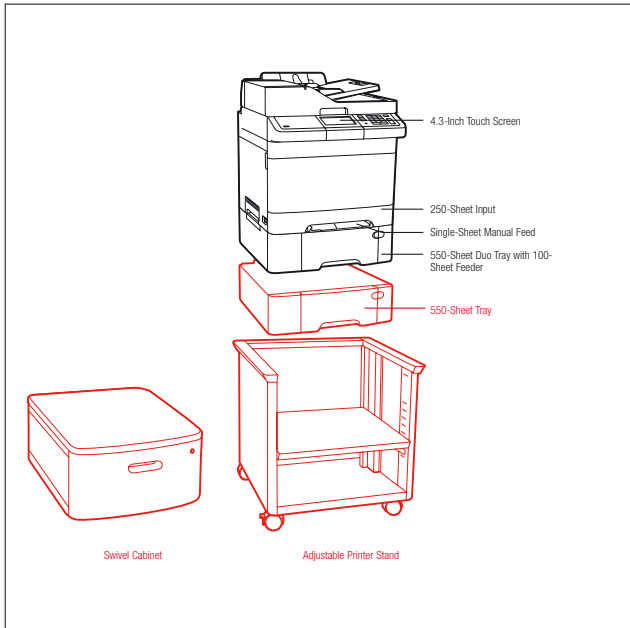
Altitude: 0 - 2896 Meters (9,500 Feet), Humidity: 8 to 80% Relative Humidity, Temperature:



16 to 32°C (60 to 90°F)

License/Agreement Terms

Printers are sold subject to certain license/agreement conditions. See www.lexmark.com/printerlicense for details.



■ Standard
■ Optional

MULTIFUNCTION COLOR LASER

| Part # | Model |
|---------|------------------|
| 28D0600 | Lexmark CX410dte |

| Part # | Laser Toner/Print Cartridge |
|----------|---|
| 80C1HK0 | 801HK Black High Yield Return Program Toner Cartridge |
| 80C1HC0 | 801HC Cyan High Yield Return Program Toner Cartridge |
| 80C1HM0 | 801HM Magenta High Yield Return Program Toner Cartridge |
| 80C1HY0 | 801HY Yellow High Yield Return Program Toner Cartridge |
| 80C1SK0 | 801SK Black Standard Yield Return Program Toner Cartridge |
| 80C1SC0 | 801SC Cyan Standard Yield Return Program Toner Cartridge |
| 80C1SM0 | 801SM Magenta Standard Yield Return Program Toner Cartridge |
| 80C1SY0 | 801SY Yellow Standard Yield Return Program Toner Cartridge |
| 80C10K0 | 801K Black Return Program Toner Cartridge |
| 80C10C0 | 801C Cyan Return Program Toner Cartridge |
| 80C10M0 | 801M Magenta Return Program Toner Cartridge |
| 80C10Y0 | 801Y Yellow Return Program Toner Cartridge |
| 80C0H10 | 800H1 Black High Yield Toner Cartridge |
| 80C0H20 | 800H2 Cyan High Yield Toner Cartridge |
| 80C0H30 | 800H3 Magenta High Yield Toner Cartridge |
| 80C0H40 | 800H4 Yellow High Yield Toner Cartridge |
| 70C0Z10 | 700Z1 Black Imaging Kit |
| 70C0Z50 | 700Z5 Black and Colour Imaging Kit |
| 70C0D10 | 700D1 Black Developer Unit |
| 70C0D20 | 700D2 Cyan Developer Unit |
| 70C0D30 | 700D3 Magenta Developer Unit |
| 70C0D40 | 700D4 Yellow Developer Unit |
| 70C0P00 | 700P Photoconductor Unit |
| C540X75G | Waste Toner Bottle |

| Part # | Paper Handling |
|---------|----------------|
| 38C0636 | 550-Sheet Tray |

| Part # | Furniture |
|---------|--------------------------|
| 35S8502 | Adjustable Printer Stand |
| 3073173 | Swivel Cabinet |

| Part # | Memory Options |
|---------|-------------------------------|
| 57X9016 | 1024MBx32 DDR3-DRAM |
| 57X9012 | 2048MBx32 DDR3-DRAM |
| 57X9101 | 256MB Flash Memory Card |
| 57X9115 | Japanese Font Card |
| 57X9114 | Korean Font Card |
| 57X9112 | Simplified Chinese Font Card |
| 57X9110 | Traditional Chinese Font Card |

| Part # | Application Solutions |
|---------|------------------------------------|
| 38C5053 | CX410 Card for PRESCRIBE Emulation |
| 38C5052 | CX410 Forms and Bar Code Card |

| Part # | Connectivity |
|---------|---------------------|
| 1021294 | USB Cable (2-meter) |

| | |
|---------|---|
| 27X0125 | Lexmark MarkNet 8352 802.11b/g/n Wireless |
|---------|---|

| Part # | Extended Warranties |
|---------|--|
| 2356248 | CX410 2-Years Total (1+1) Onsite Service |
| 2356249 | CX410 3-Years Total (1+2) Onsite Service |
| 2356250 | CX410 4-Years Total (1+3) Onsite Service |
| 2356251 | CX410 5-Years Total (1+4) Onsite Service |
| 2356252 | CX410 1-Year Onsite Service Renewal |

| Part # | Service Parts |
|---------|---------------------------------|
| 40X7615 | Fuser Maintenance kit, 110-120V |
| 40X7610 | Image Transfer Unit |
| 40X7622 | Fuser, 110-120V |
| 40X9108 | ADF Separator Roller |



Lexmark CX510de

The Lexmark CX510de delivers PANTONE® color matching and 2-sided printing capabilities—plus it comes fully loaded with productivity solutions to help streamline your business.

Print Technology

Color Laser

Function

Color Scanning, Color Printing, Color Faxing, Color Copying

Display

Lexmark e-Task 7-inch (17.8 cm) color touch screen

Print Speed (Letter, Black)

Up to 32 ppm

Print Speed (Letter, Color)

Up to 32 ppm

Print Speed (Letter, Black) Duplex

Up to 15 ppm

Time to First Page (Black)

As fast as 10.5 seconds

Time to First Page (Color)

As fast as 11.5 seconds

Copy Speed (Letter, Black)

Up to 32 ppm

Copy Speed (Letter, Color)

Up to 32 ppm

Time to First Copy (Black)

As fast as 10.8 seconds

Print Resolution, Black

4800 Color Quality (2400 x 600 dpi), 1200 x 1200 dpi

Print Resolution, Color

4800 Color Quality (2400 x 600 dpi), 1200 x 1200 dpi

ADF Scan

RADF (Reversing Duplex)

Optical Scanning Resolution

1200 X 600 ppi (black), 600 X 600 ppi (color)

Processor

Dual Core, 800 MHz

Memory, Standard

1024 MB

Memory, Maximum

3072 MB

Hard Disk

Not Available

Expandable Memory Options

Yes

Apple Macintosh Operating Systems Supported

Mac OS X (10.5, 10.6, 10.7, 10.8)

Linux Operating Systems Supported

Fedora 14, 15, 16, 17, Red Hat Enterprise Linux WS 4.0, 5.0, 6.0, Linux Desktop 9.6, SUSE Linux Enterprise Server 10, 11, SUSE Linux Enterprise Desktop 10, 11, Red Hat Linux Desktop 6.0, Debian GNU/Linux 5.0, 6.0, Ubuntu 2011.9, openSUSE 11.3, 11.4, 12.1

Microsoft Windows Operating Systems Supported

8 x64, 8, Windows 7 x64, Server 2008 R2, Server 2008 R2 running Terminal Services, Windows 7, Server 2008 running Terminal Services, Server 2008, XP, Server 2003, XP x64, Server 2003 running Terminal Services, Server 2003 x64, Server 2003 x64 running Terminal Services, Vista, Vista x64, Server 2008 x64, Server 2008 x64 running Terminal Services

Novell Operating Systems Supported

Open Enterprise Server on SUSE Linux Enterprise Server,

NetWare 5.1(SP 6+), 6.0(SP 3+) with Novell Distributed Print Services (NDPS), NetWare 6.5 Open Enterprise Server

UNIX Operating Systems Supported

IBM AIX 5.3, 6.1, 7.1, HP-UX 11.11, 11.23, 11.31, Sun Solaris SPARC 9, 10, Sun Solaris x86 10, 11

Included Paper Handling

Single-Sheet Manual Feed, Integrated Duplex, 150-Sheet Output Bin, 250-Sheet Input

Optional Paper Handling

550-Sheet Duo Tray with 100-Sheet Feeder, 550-Sheet Tray

Paper Input Capacity, Standard: Up to

250+1 pages 20 lb or 75 gsm bond

Paper Input Capacity, Maximum: Up to

1450+1 pages 20 lb or 75 gsm bond

Paper Output Capacity, Standard: Up to

150 pages 20 lb or 75 gsm bond

Paper Output Capacity, Maximum: Up to

150 pages 20 lb or 75 gsm bond

ADF Paper Input Capacity

Up to 50 pages 20 lb or 75 gsm bond

Finishing Option

No

Number of Paper Inputs, Standard

1

Number of Paper Inputs, Maximum

4

Media Types Supported

Refer to the Card Stock & Label Guide, Paper Labels, Card Stock, Transparencies, Plain Paper

Media Sizes Supported

Office, Universal, Letter, Legal, A5, A4, Executive, Folio, JIS-B5

Standard Ports

Rear USB 2.0 Specification Hi-Speed Certified Port (Type A), USB 2.0 Specification Hi-Speed Certified (Type B), Gigabit Ethernet (10/100/1000), Front USB 2.0 Specification Hi-Speed Certified Port (Type A)

Optional Network Ports

MarkNet N8352 802.11b/g/n Wireless

Network Printing Methods

IPP 1.0, 1.1, 2.0 (Internet Printing Protocol), FTP, TFTP, ThinPrint .print integration, Telnet, Enhanced IP (Port 9400), LPR/LPD, Direct IP (Port 9100)

Network Protocol Support

UDP, TCP, AppleTalk™, TCP/IP IPv4, TCP/IP IPv6

Network Security

IPSec, SNMPv3, 802.1x Authentication: MD5, MSCHAPv2, LEAP, PEAP, TLS, TTLS

Printer Languages (Standard)

PDF 1.7 emulation, Microsoft XPS (XML Paper Specification), Direct Image, Personal Printer Data Stream (PPDS), PCL 5c Emulation, PCL 6 Emulation, PostScript 3 Emulation

Reduce / Enlarge Range

25 - 400 %

Scan Area, Maximum

215.9 x 355.6 mm

Scan Area, Maximum

8.5 x 14 inches

Modem Speed

ITU T.30, V.34 Half-Duplex, 33.6 Kbps

Laser Cartridge Yields

8,000*-page Black Extra High Yield Cartridge, 4,000*-page Color (CMY) Extra High Yield Cartridges, 4,000*-page Black High Yield Cartridge, 3,000*-page Color (CMY) High Yield Cartridges, 2,500*-page Black Cartridge, 2,000*-page Color (CMY) Cartridges, 1,000*-page Black and Color (CMYK) Cartridges

Cartridge(s) Shipping with Product

8,000*-page Black Extra High Yield Return Program Toner Cartridge, 4,000*-page Color (CMY) Extra High Yield Return Program Toner Cartridges

Replacement Cartridges:

Product functions only with replacement cartridges designed for use in a specific geographical region. See www.lexmark.com/regions for more details.

Packaged Size (mm - H x W x D)

570 x 558 x 645 mm

Size (mm - H x W x D)

470 x 444 x 589 mm

Packaged Size (in. - H x W x D)

22.44 x 21.97 x 25.39 in.

Size (in. - H x W x D)

18.44 x 17.48 x 23.2 in.

Weight (kg)

28.2 kg

Weight (lb.)

62 lb.

Noise Level, Idle

16 dBA

Print Noise Level, Operating

50 dBA

Copy Noise Level, Operating

50 dBA

Scan Noise Level, Operating

49 dBA

Product Warranty

1-Year Onsite Service, Next Business Day

Product Certifications

ENERGY STAR, Blue Angel (RAL-UZ-122), CAN/CSA-C22.2 60950-1, CSA E60825-1, ICES-003 Class B, BSMI Class B, VCCI Class B, US FDA, FCC Class B, UL 60950-1, EN/IEC 60320-1, CE Class B, CB IEC 60950-1, EN 60950-1, EN/IEC 61000-3, EN 55022 Class B, EN 55024, EN/IEC 60825-1, UL/DEMKO GS, AR S, SMA C-tick mark Class B, CCC Class B, CISPIR 22 Class B, MIC Mark, EK Mark

Maximum Monthly Duty Cycle

Up to 85,000 pages per month

Recommended Monthly Page Volume

1500 - 7000 pages

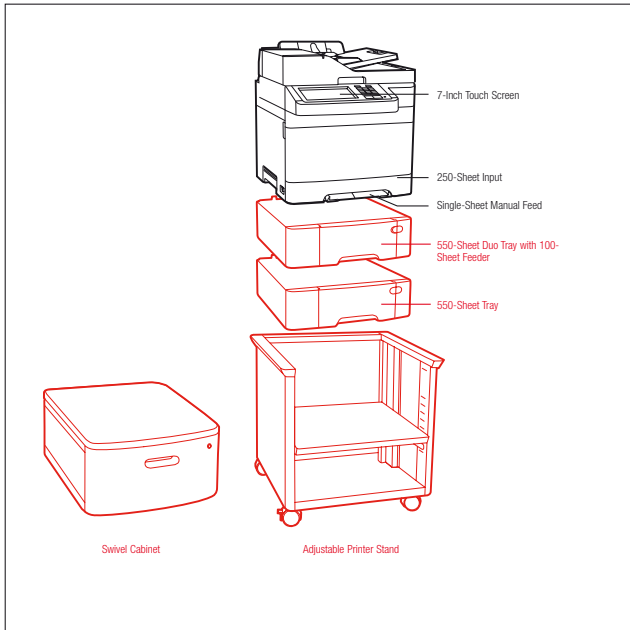


Specified Operating Environment

Altitude: 0 - 2896 Meters (9,500 Feet), Humidity: 8 to 80%
Relative Humidity, Temperature:
16 to 32°C (60 to 90°F)

License/Agreement Terms

Printers are sold subject to certain license/agreement conditions. See www.lexmark.com/printerlicense for details.



Standard
 Optional

| Part # | Model |
|---------|-----------------|
| 28E0500 | Lexmark CX510de |

| Part # | Laser Toner/Print Cartridge |
|----------|---|
| 80C1XK0 | 801XK Black Extra High Yield Return Program Toner Cartridge |
| 80C1XC0 | 801XC Cyan Extra High Yield Return Program Toner Cartridge |
| 80C1XM0 | 801XM Magenta Extra High Yield Return Program Toner Cartridge |
| 80C1XY0 | 801XY Yellow Extra High Yield Return Program Toner Cartridge |
| 80C1HK0 | 801HK Black High Yield Return Program Toner Cartridge |
| 80C1HC0 | 801HC Cyan High Yield Return Program Toner Cartridge |
| 80C1HM0 | 801HM Magenta High Yield Return Program Toner Cartridge |
| 80C1HY0 | 801HY Yellow High Yield Return Program Toner Cartridge |
| 80C1SK0 | 801SK Black Standard Yield Return Program Toner Cartridge |
| 80C1SC0 | 801SC Cyan Standard Yield Return Program Toner Cartridge |
| 80C1SM0 | 801SM Magenta Standard Yield Return Program Toner Cartridge |
| 80C1SY0 | 801SY Yellow Standard Yield Return Program Toner Cartridge |
| 80C10K0 | 801K Black Return Program Toner Cartridge |
| 80C10C0 | 801C Cyan Return Program Toner Cartridge |
| 80C10M0 | 801M Magenta Return Program Toner Cartridge |
| 80C10Y0 | 801Y Yellow Return Program Toner Cartridge |
| 80C0X10 | 800X1 Black Extra High Yield Toner Cartridge |
| 80C0X20 | 800X2 Cyan Extra High Yield Toner Cartridge |
| 80C0X30 | 800X3 Magenta Extra High Yield Toner Cartridge |
| 80C0X40 | 800X4 Yellow Extra High Yield Toner Cartridge |
| 70C0Z10 | 700Z1 Black Imaging Kit |
| 70C0Z50 | 700Z5 Black and Colour Imaging Kit |
| 70C0D10 | 700D1 Black Developer Unit |
| 70C0D20 | 700D2 Cyan Developer Unit |
| 70C0D30 | 700D3 Magenta Developer Unit |
| 70C0D40 | 700D4 Yellow Developer Unit |
| 70C0P00 | 700P Photoconductor Unit |
| C540X75G | Waste Toner Bottle |

| Part # | Paper Handling |
|---------|--|
| 38C0626 | 550-Sheet Duo Tray with 100-Sheet Feeder |
| 38C0636 | 550-Sheet Tray |

| Part # | Furniture |
|---------|--------------------------|
| 35S8502 | Adjustable Printer Stand |
| 3073173 | Swivel Cabinet |

| Part # | Memory Options |
|---------|-------------------------------|
| 57X9016 | 1024MBx32 DDR3-DRAM |
| 57X9012 | 2048MBx32 DDR3-DRAM |
| 57X9101 | 256MB Flash Memory Card |
| 57X9115 | Japanese Font Card |
| 57X9114 | Korean Font Card |
| 57X9112 | Simplified Chinese Font Card |
| 57X9110 | Traditional Chinese Font Card |

| Part # | Application Solutions |
|---------|-------------------------------|
| 38C5054 | CX510 Forms and Bar Code Card |

| | |
|---------|------------------------------------|
| 38C5055 | CX510 Card for PRESCRIBE Emulation |
|---------|------------------------------------|

| Part # | Connectivity |
|---------|---|
| 1021294 | USB Cable (2-meter) |
| 27X0125 | Lexmark MarkNet 8352 802.11b/g/n Wireless |

| Part # | Extended Warranties |
|---------|--|
| 2356286 | CX510 2-Years Total (1+1) Onsite Service |
| 2356287 | CX510 3-Years Total (1+2) Onsite Service |
| 2356288 | CX510 4-Years Total (1+3) Onsite Service |
| 2356289 | CX510 5-Years Total (1+4) Onsite Service |
| 2356290 | CX510 1-Year Onsite Service Renewal |

| Part # | Service Parts |
|---------|---------------------------------|
| 40X7615 | Fuser Maintenance kit, 110-120V |
| 40X7610 | Image Transfer Unit |
| 40X7622 | Fuser, 110-120V |
| 40X9108 | ADF Separator Roller |



Lexmark CX510dhe

The Lexmark CX510dhe delivers PANTONE® color matching, 2-sided printing and greater data capacity—plus it comes with productivity solutions to help streamline your business.

Print Technology

Color Laser

Function

Color Scanning, Color Printing, Color Faxing, Color Copying

Display

Lexmark e-Task 7-inch (17.8 cm) color touch screen

Print Speed (Letter, Black)

Up to 32 ppm

Print Speed (Letter, Color)

Up to 32 ppm

Print Speed (Letter, Black) Duplex

Up to 15 ppm

Time to First Page (Black)

As fast as 10.5 seconds

Time to First Page (Color)

As fast as 11.5 seconds

Copy Speed (Letter, Black)

Up to 32 ppm

Copy Speed (Letter, Color)

Up to 32 ppm

Time to First Copy (Black)

As fast as 10.8 seconds

Print Resolution, Black

4800 Color Quality (2400 x 600 dpi), 1200 x 1200 dpi

Print Resolution, Color

4800 Color Quality (2400 x 600 dpi), 1200 x 1200 dpi

ADF Scan

RADF (Reversing Duplex)

Optical Scanning Resolution

1200 X 600 ppi (black), 600 X 600 ppi (color)

Processor

Dual Core, 800 MHz

Memory, Standard

1024 MB

Memory, Maximum

3072 MB

Hard Disk

Included in configuration

Expandable Memory Options

Yes

Apple Macintosh Operating Systems Supported

Mac OS X (10.5, 10.6, 10.7, 10.8)

Linux Operating Systems Supported

Fedora 14, 15, 16, 17, Red Hat Enterprise Linux WS 4.0, 5.0, 6.0, Linpus Linux Desktop 9.6, SUSE Linux Enterprise Server 10, 11, SUSE Linux Enterprise Desktop 10, 11, Red Flag Linux Desktop 6.0, Debian GNU/Linux 5.0, 6.0, Ubuntu 2011.9, openSUSE 11.3, 11.4, 12.1

Microsoft Windows Operating Systems Supported

8 x64, 8, Windows 7 x64, Server 2008 R2, Server 2008 R2 running Terminal Services, Windows 7, Server 2008 running Terminal Services, Server 2008, XP, Server 2003, XP x64, Server 2003 running Terminal Services, Server 2003 x64, Server 2003 x64 running Terminal Services, Vista, Vista x64, Server 2008 x64, Server 2008 x64 running Terminal Services

Novell Operating Systems Supported

Open Enterprise Server on SUSE Linux Enterprise Server,

NetWare 5.1(SP 6+), 6.0(SP 3+) with Novell Distributed Print Services (NDPS), NetWare 6.5 Open Enterprise Server

UNIX Operating Systems Supported

IBM AIX 5.3, 6.1, 7.1, HP-UX 11.11, 11.23, 11.31, Sun Solaris SPARC 9, 10, Sun Solaris x86 10, 11

Included Paper Handling

Single-Sheet Manual Feed, Integrated Duplex, 250-Sheet Input, 150-Sheet Output Bin

Optional Paper Handling

550-Sheet Duo Tray with 100-Sheet Feeder, 550-Sheet Tray

Paper Input Capacity, Standard: Up to

250+1 pages 20 lb or 75 gsm bond

Paper Input Capacity, Maximum: Up to

1450+1 pages 20 lb or 75 gsm bond

Paper Output Capacity, Standard: Up to

150 pages 20 lb or 75 gsm bond

Paper Output Capacity, Maximum: Up to

150 pages 20 lb or 75 gsm bond

ADF Paper Input Capacity

Up to 50 pages 20 lb or 75 gsm bond

Finishing Option

No

Number of Paper Inputs, Standard

1

Number of Paper Inputs, Maximum

4

Media Types Supported

Refer to the Card Stock & Label Guide, Paper Labels, Card

Stock, Transparencies, Plain Paper

Media Sizes Supported

Office, Universal, Letter, Legal, A5, A4, Executive, Folio,

JIS-B5

Standard Ports

Rear USB 2.0 Specification Hi-Speed Certified Port (Type A),

USB 2.0 Specification Hi-Speed Certified (Type B), Gigabit

Ethernet (10/100/1000), Front USB 2.0 Specification Hi-

Speed Certified Port (Type A)

Optional Network Ports

MarkNet N8352 802.11b/g/n Wireless

Network Printing Methods

IPP 1.0, 1.1, 2.0 (Internet Printing Protocol), FTP, TFTP,

ThinPrint .print integration, Telnet, Enhanced IP (Port 9400),

LPR/LPD, Direct IP (Port 9100)

Network Protocol Support

UDP, TCP, AppleTalk™, TCP/IP IPv4, TCP/IP IPv6

Network Security

IPSec, SNMPv3, 802.1x Authentication: MD5, MSCHAPv2,

LEAP, PEAP, TLS, TTLS

Printer Languages (Standard)

PDF 1.7 emulation, Microsoft XPS (XML Paper

Specification), Direct Image, Personal Printer Data Stream

(PPDS), PCL 5c Emulation, PCL 6 Emulation, PostScript

3 Emulation

Reduce / Enlarge Range

25 - 400 %

Scan Area, Maximum

215.9 x 355.6 mm

Scan Area, Maximum

8.5 x 14 inches

Modem Speed

ITU T.30, V.34 Half-Duplex, 33.6 Kbps

Laser Cartridge Yields

8,000*-page Black Extra High Yield Cartridge, 4,000*-page

Color (CMY) Extra High Yield Cartridges, 4,000*-page Black

High Yield Cartridge, 3,000*-page Color (CMY) High Yield

Cartridges, 2,500*-page Black Cartridge, 2,000*-page

Color (CMY) Cartridges, 1,000*-page Black and Color

(CMYK) Cartridges

Cartridge(s) Shipping with Product

8,000*-page Black Extra High Yield Return Program Toner

Cartridge, 4,000*-page Color (CMY) Extra High Yield Return

Program Toner Cartridges

Replacement Cartridges:

Product functions only with replacement cartridges

designed for use in a specific geographical region. See

www.lexmark.com/regions for more details.

Packaged Size (mm - H x W x D)

570 x 558 x 645 mm

Size (mm - H x W x D)

470 x 444 x 589 mm

Packaged Size (in. - H x W x D)

22.44 x 21.97 x 25.39 in.

Size (in. - H x W x D)

18.44 x 17.48 x 23.2 in.

Weight (kg)

28.2 kg

Weight (lb.)

62 lb.

Noise Level, Idle

16 dBA

Print Noise Level, Operating

50 dBA

Copy Noise Level, Operating

50 dBA

Scan Noise Level, Operating

49 dBA

Product Warranty

1-Year Onsite Service, Next Business Day

Product Certifications

ENERGY STAR, Blue Angel (RAL-UZ-122), CAN/CSA-C22.2

60950-1, CSA E60825-1, ICES-003 Class B, BSMI Class

B, VCCI Class B, US FDA, FCC Class B, UL 60950-1, EN/

IEC 60320-1, CE Class B, CB IEC 60950-1, EN 60950-1,

EN/IEC 61000-3, EN 55022 Class B, EN 55024, EN/IEC

60825-1, UL/DEMKO GS, AR S, SMA C-tick mark Class B,

CCC Class B, CISPIR 22 Class B, MIC Mark, EK Mark

Maximum Monthly Duty Cycle

Up to 85,000 pages per month

Recommended Monthly Page Volume

1500 - 7000 pages

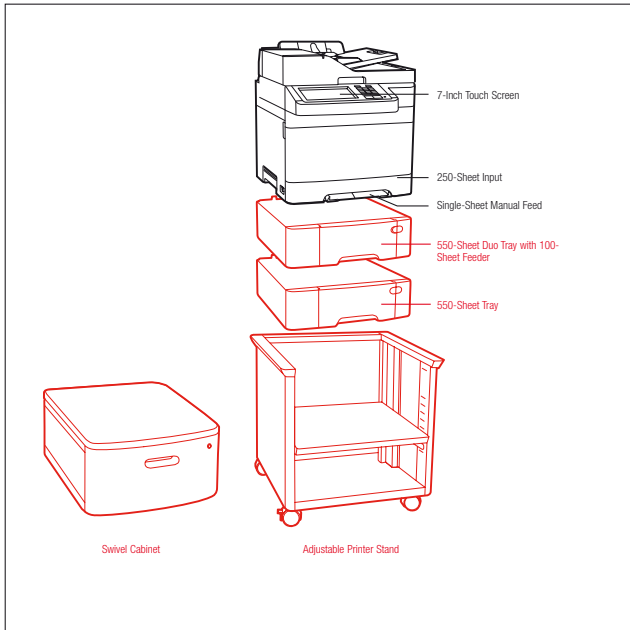


Specified Operating Environment

Altitude: 0 - 2896 Meters (9,500 Feet), Humidity: 8 to 80%
Relative Humidity, Temperature:
16 to 32°C (60 to 90°F)

License/Agreement Terms

Printers are sold subject to certain license/agreement conditions. See www.lexmark.com/printerlicense for details.



■ Standard
■ Optional

| Part # | Model |
|----------|---|
| 28E0615 | Lexmark CX510dhe |
| Part # | Laser Toner/Print Cartridge |
| 80C1XK0 | 801XK Black Extra High Yield Return Program Toner Cartridge |
| 80C1XC0 | 801XC Cyan Extra High Yield Return Program Toner Cartridge |
| 80C1XM0 | 801XM Magenta Extra High Yield Return Program Toner Cartridge |
| 80C1XY0 | 801XY Yellow Extra High Yield Return Program Toner Cartridge |
| 80C1HK0 | 801HK Black High Yield Return Program Toner Cartridge |
| 80C1HC0 | 801HC Cyan High Yield Return Program Toner Cartridge |
| 80C1HM0 | 801HM Magenta High Yield Return Program Toner Cartridge |
| 80C1HY0 | 801HY Yellow High Yield Return Program Toner Cartridge |
| 80C1SK0 | 801SK Black Standard Yield Return Program Toner Cartridge |
| 80C1SC0 | 801SC Cyan Standard Yield Return Program Toner Cartridge |
| 80C1SM0 | 801SM Magenta Standard Yield Return Program Toner Cartridge |
| 80C1SY0 | 801SY Yellow Standard Yield Return Program Toner Cartridge |
| 80C1K00 | 801K Black Return Program Toner Cartridge |
| 80C1C00 | 801C Cyan Return Program Toner Cartridge |
| 80C1M00 | 801M Magenta Return Program Toner Cartridge |
| 80C1Y00 | 801Y Yellow Return Program Toner Cartridge |
| 80C0X10 | 800X1 Black Extra High Yield Toner Cartridge |
| 80C0X20 | 800X2 Cyan Extra High Yield Toner Cartridge |
| 80C0X30 | 800X3 Magenta Extra High Yield Toner Cartridge |
| 80C0X40 | 800X4 Yellow Extra High Yield Toner Cartridge |
| 70C0Z10 | 700Z1 Black Imaging Kit |
| 70C0Z50 | 700Z5 Black and Colour Imaging Kit |
| 70C0D10 | 700D1 Black Developer Unit |
| 70C0D20 | 700D2 Cyan Developer Unit |
| 70C0D30 | 700D3 Magenta Developer Unit |
| 70C0D40 | 700D4 Yellow Developer Unit |
| 70C0P00 | 700P Photoconductor Unit |
| C540X75G | Waste Toner Bottle |
| Part # | Paper Handling |
| 38C0626 | 550-Sheet Duo Tray with 100-Sheet Feeder |
| 38C0636 | 550-Sheet Tray |
| Part # | Furniture |
| 35S8502 | Adjustable Printer Stand |
| 3073173 | Swivel Cabinet |
| Part # | Memory Options |
| 57X9016 | 1024MBx32 DDR3-DRAM |
| 57X9012 | 2048MBx32 DDR3-DRAM |
| 57X9010 | 256MB Flash Memory Card |
| 57X9115 | Japanese Font Card |
| 57X9114 | Korean Font Card |
| 57X9112 | Simplified Chinese Font Card |
| 57X9110 | Traditional Chinese Font Card |
| Part # | Application Solutions |
| 38C5054 | CX510 Forms and Bar Code Card |

| 38C5055 | CX510 Card for PRESCRIBE Emulation |
|---------|---|
| Part # | Connectivity |
| 1021294 | USB Cable (2-meter) |
| 27X0125 | Lexmark MarkNet 8352 802.11b/g/n Wireless |
| Part # | Extended Warranties |
| 2356286 | CX510 2-Years Total (1+1) Onsite Service |
| 2356287 | CX510 3-Years Total (1+2) Onsite Service |
| 2356288 | CX510 4-Years Total (1+3) Onsite Service |
| 2356289 | CX510 5-Years Total (1+4) Onsite Service |
| 2356290 | CX510 1-Year Onsite Service Renewal |
| Part # | Service Parts |
| 40X7615 | Fuser Maintenance kit, 110-120V |
| 40X7610 | Image Transfer Unit |
| 40X7622 | Fuser, 110-120V |
| 40X9108 | ADF Separator Roller |



Lexmark CX510dthe

The Lexmark CX510dthe delivers PANTONE® color matching, 2-sided printing and greater data capacity—plus it comes with productivity solutions to help streamline your business.

Print Technology

Color Laser

Function

Color Scanning, Color Printing, Color Faxing, Color Copying Display

Lexmark e-Task 7-inch (17.8 cm) color touch screen

Print Speed (Letter, Black)

Up to 32 ppm

Print Speed (Letter, Color)

Up to 32 ppm

Print Speed (Letter, Black) Duplex

Up to 15 ppm

Time to First Page (Black)

As fast as 10.5 seconds

Time to First Page (Color)

As fast as 11.5 seconds

Copy Speed (Letter, Black)

Up to 32 cpm

Copy Speed (Letter, Color)

Up to 32 cpm

Time to First Copy (Black)

As fast as 10.8 seconds

Print Resolution, Black

4800 Color Quality (2400 x 600 dpi), 1200 x 1200 dpi

Print Resolution, Color

4800 Color Quality (2400 x 600 dpi), 1200 x 1200 dpi

ADF Scan

RADF (Reversing Duplex)

Optical Scanning Resolution

1200 X 600 ppi (black), 600 X 600 ppi (color)

Processor

Dual Core, 800 MHz

Memory, Standard

1024 MB

Memory, Maximum

3072 MB

Hard Disk

Included in configuration

Expandable Memory Options

Yes

Apple Macintosh Operating Systems Supported

Mac OS X (10.5, 10.6, 10.7, 10.8)

Linux Operating Systems Supported

Fedora 14, 15, 16, 17, Red Hat Enterprise Linux WS 4.0, 5.0, 6.0, Linpus Linux Desktop 9.6, SUSE Linux Enterprise Server 10, 11, SUSE Linux Enterprise Desktop 10, 11, Red Flag Linux Desktop 6.0, Debian GNU/Linux 5.0, 6.0, Ubuntu 2011.9, openSUSE 11.3, 11.4, 12.1

Microsoft Windows Operating Systems Supported

8 x64, 8, Windows 7 x64, Server 2008 R2, Server 2008 R2 running Terminal Services, Windows 7, Server 2008 running Terminal Services, Server 2008, XP, Server 2003, XP x64, Server 2003 running Terminal Services, Server 2003 x64, Server 2003 x64 running Terminal Services, Vista, Vista x64, Server 2008 x64, Server 2008 x64 running Terminal Services

Novell Operating Systems Supported

Open Enterprise Server on SUSE Linux Enterprise Server,

NetWare 5.1(SP 6+), 6.0(SP 3+) with Novell Distributed Print Services (NDPS), NetWare 6.5 Open Enterprise Server

UNIX Operating Systems Supported

IBM AIX 5.3, 6.1, 7.1, HP-UX 11.11, 11.23, 11.31, Sun Solaris SPARC 9, 10, Sun Solaris x86 10, 11

Included Paper Handling

Single-Sheet Manual Feed, 150-Sheet Output Bin, 250-Sheet Input, 550-Sheet Duo Tray with 100-Sheet Feeder, Integrated Duplex

Optional Paper Handling

550-Sheet Tray

Paper Input Capacity, Standard: Up to

900+1 pages 20 lb or 75 gsm bond

Paper Input Capacity, Maximum: Up to

1450+1 pages 20 lb or 75 gsm bond

Paper Output Capacity, Standard: Up to

150 pages 20 lb or 75 gsm bond

Paper Output Capacity, Maximum: Up to

150 pages 20 lb or 75 gsm bond

ADF Paper Input Capacity

Up to 50 pages 20 lb or 75 gsm bond

Finishing Option

No

Number of Paper Inputs, Standard

3

Number of Paper Inputs, Maximum

4

Media Types Supported

Refer to the Card Stock & Label Guide, Paper Labels, Envelopes, Card Stock, Transparencies, Plain Paper

Media Sizes Supported

A6, Oficio, Universal, Statement, Folio, DL Envelope, B5 Envelope, A4, 7/34 Envelope, 10 Envelope, 9 Envelope, A5, C5 Envelope, Executive, JIS-B5, Legal, Letter

Standard Ports

Rear USB 2.0 Specification Hi-Speed Certified Port (Type A), USB 2.0 Specification Hi-Speed Certified (Type B), Gigabit Ethernet (10/100/1000), Front USB 2.0 Specification Hi-Speed Certified Port (Type A)

Optional Network Ports

MarkNet N8352 802.11b/g/n Wireless

Network Printing Methods

IPP 1.0, 1.1, 2.0 (Internet Printing Protocol), FTP, TFTP, LPR/Print, print integration, Telnet, Enhanced IP (Port 9400), LPR/LPD, Direct IP (Port 9100)

Network Protocol Support

UDP, TCP, AppleTalk™, TCP/IP IPv4, TCP/IP IPv6

Network Security

IPSec, SNMPv3, 802.1x Authentication: MD5, MSCHAPv2, LEAP, PEAP, TLS, TTLS

Printer Languages (Standard)

PDF 1.7 emulation, Microsoft XPS (XML Paper Specification), Direct Image, Personal Printer Data Stream (PPDS), PCL 5c Emulation, PCL 6 Emulation, PostScript 3 Emulation

Reduce / Enlarge Range

25 - 400 %

Scan Area, Maximum

215.9 x 355.6 mm

Scan Area, Maximum

8.5 x 14 inches

Modem Speed

ITU T.30, V.34 Half-Duplex, 33.6 Kbps

Laser Cartridge Yields

8,000*-page Black Extra High Yield Cartridge, 4,000*-page Color (CMY) Extra High Yield Cartridges, 4,000*-page Black High Yield Cartridge, 3,000*-page Color (CMY) High Yield Cartridges, 2,500*-page Black Cartridge, 2,000*-page Color (CMY) Cartridges, 1,000*-page Black and Color (CMYK) Cartridges

Cartridge(s) Shipping with Product

8,000*-page Black Extra High Yield Return Program Toner Cartridge, 4,000*-page Color (CMY) Extra High Yield Return Program Toner Cartridges

Replacement Cartridges:

Product functions only with replacement cartridges designed for use in a specific geographical region. See www.lexmark.com/regions for more details.

Packaged Size (mm - H x W x D)

785 x 558 x 645 mm

Size (mm - H x W x D)

600.3 x 444 x 589 mm

Packaged Size (in. - H x W x D)

30.91 x 21.97 x 25.39 in.

Size (in. - H x W x D)

23.63 x 17.48 x 23.2 in.

Weight (kg)

32.4 kg

Weight (lb.)

71.3 lb.

Noise Level, Idle

16 dBA

Print Noise Level, Operating

50 dBA

Copy Noise Level, Operating

50 dBA

Scan Noise Level, Operating

49 dBA

Product Warranty

1-Year Onsite Service, Next Business Day

Product Certifications

ENERGY STAR, Blue Angel (RAL-UZ-122), CAN/CSA-C22.2 60950-1, CSA E60825-1, ICES-003 Class B, BSMI Class B, VCCI Class B, US FDA, FCC Class B, UL 60950-1, EN/IEC 60320-1, CE Class B, CB IEC 60950-1, EN 60950-1, EN/IEC 61000-3, EN 55022 Class B, EN 55024, EN/IEC 60825-1, UL/DENKMO GS, AR S, SMA C-tick mark Class B, CCC Class B, CISPIR 22 Class B, MIC Mark, EK Mark

Maximum Monthly Duty Cycle

Up to 85,000 pages per month

Recommended Monthly Page Volume

1500 - 7000 pages

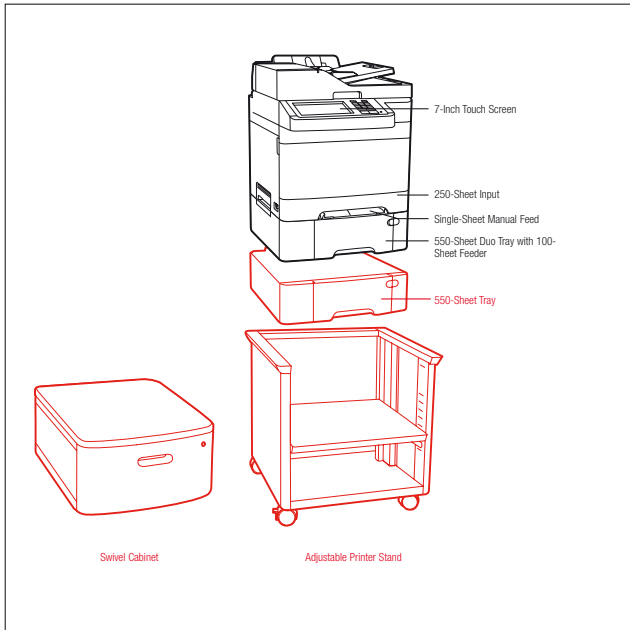


Specified Operating Environment

Altitude: 0 - 2896 Meters (9,500 Feet), Humidity: 8 to 80%
Relative Humidity, Temperature:
16 to 32°C (60 to 90°F)

License/Agreement Terms

Printers are sold subject to certain license/agreement conditions. See www.lexmark.com/printerlicense for details.



■ Standard
■ Optional

| | |
|---------------|---|
| Part # | Model |
| 28E0550 | Lexmark CX510dthe |
| Part # | Laser Toner/Print Cartridge |
| 80C1XK0 | 801XC Black Extra High Yield Return Program Toner Cartridge |
| 80C1XC0 | 801XC Cyan Extra High Yield Return Program Toner Cartridge |
| 80C1XM0 | 801XM Magenta Extra High Yield Return Program Toner Cartridge |
| 80C1XY0 | 801XY Yellow Extra High Yield Return Program Toner Cartridge |
| 80C1HK0 | 801HK Black High Yield Return Program Toner Cartridge |
| 80C1HC0 | 801HC Cyan High Yield Return Program Toner Cartridge |
| 80C1HM0 | 801HM Magenta High Yield Return Program Toner Cartridge |
| 80C1HY0 | 801HY Yellow High Yield Return Program Toner Cartridge |
| 80C1SK0 | 801SK Black Standard Yield Return Program Toner Cartridge |
| 80C1SC0 | 801SC Cyan Standard Yield Return Program Toner Cartridge |
| 80C1SM0 | 801SM Magenta Standard Yield Return Program Toner Cartridge |
| 80C1SY0 | 801SY Yellow Standard Yield Return Program Toner Cartridge |
| 80C1K00 | 801K Black Return Program Toner Cartridge |
| 80C1C00 | 801C Cyan Return Program Toner Cartridge |
| 80C1M00 | 801M Magenta Return Program Toner Cartridge |
| 80C1Y00 | 801Y Yellow Return Program Toner Cartridge |
| 80C0X10 | 800X1 Black Extra High Yield Toner Cartridge |
| 80C0X20 | 800X2 Cyan Extra High Yield Toner Cartridge |
| 80C0X30 | 800X3 Magenta Extra High Yield Toner Cartridge |
| 80C0X40 | 800X4 Yellow Extra High Yield Toner Cartridge |
| 70C0Z10 | 700Z1 Black Imaging Kit |
| 70C0Z50 | 700Z5 Black and Colour Imaging Kit |
| 70C0D10 | 700D1 Black Developer Unit |
| 70C0D20 | 700D2 Cyan Developer Unit |
| 70C0D30 | 700D3 Magenta Developer Unit |
| 70C0D40 | 700D4 Yellow Developer Unit |
| 70C0P00 | 700P Photoconductor Unit |
| C540X75G | Waste Toner Bottle |
| Part # | Paper Handling |
| 38C0636 | 550-Sheet Tray |
| Part # | Furniture |
| 35S8502 | Adjustable Printer Stand |
| 3073173 | Swivel Cabinet |
| Part # | Memory Options |
| 57X9016 | 1024MBx32 DDR3-DRAM |
| 57X9012 | 2048MBx32 DDR3-DRAM |
| 57X9101 | 256MB Flash Memory Card |
| 57X9115 | Japanese Font Card |
| 57X9114 | Korean Font Card |
| 57X9112 | Simplified Chinese Font Card |
| 57X9110 | Traditional Chinese Font Card |
| Part # | Application Solutions |
| 38C5054 | CX510 Forms and Bar Code Card |

| | |
|---------------|---|
| 38C5055 | CX510 Card for PRESCRIBE Emulation |
| Part # | Connectivity |
| 1021294 | USB Cable (2-meter) |
| 27X0125 | Lexmark MarkNet 8352 802.11b/g/n Wireless |
| Part # | Extended Warranties |
| 2356286 | CX510 2-Years Total (1+1) Onsite Service |
| 2356287 | CX510 3-Years Total (1+2) Onsite Service |
| 2356288 | CX510 4-Years Total (1+3) Onsite Service |
| 2356289 | CX510 5-Years Total (1+4) Onsite Service |
| 2356290 | CX510 1-Year Onsite Service Renewal |
| Part # | Service Parts |
| 40X7615 | Fuser Maintenance kit, 110-120V |
| 40X7610 | Image Transfer Unit |
| 40X7622 | Fuser, 110-120V |
| 40X9108 | ADF Separator Roller |



Lexmark X746de

The Lexmark X746de MFP increases efficiency and delivers high-quality color documents. Security controls and workflow-enhancing solutions make high-volume printing easy and secure.

Print Technology

Color Laser

Function

Color Network Scanning, Color Scanning, Color Printing, Color Faxing, Color Copying

Display

Lexmark e-Task 7-inch (17.8 cm) color touch screen

Print Speed (Letter, Black)

Up to 35 ppm

Print Speed (Letter, Color)

Up to 35 ppm

Print Speed (Letter, Black) Duplex

Up to 23 ppm

Time to First Page (Black)

As fast as 9 seconds

Time to First Page (Color)

As fast as 9 seconds

Copy Speed (Letter, Black)

Up to 35 cpm

Copy Speed (Letter, Color)

Up to 35 cpm

Time to First Copy (Black)

As fast as 13 seconds

Print Resolution, Black

4800 Color Quality (2400 x 600 dpi), 1200 x 1200 dpi

Print Resolution, Color

4800 Color Quality (2400 x 600 dpi), 1200 x 1200 dpi

ADF Scan

RADF (Reversing Duplex)

Optical Scanning Resolution

600 X 600 ppi

Memory, Standard

512 MB

Memory, Maximum

1536 MB

Hard Disk

Option available

Expandable Memory Options

Yes

Apple Macintosh Operating Systems Supported

Mac OS X (10.5, 10.6, 10.7)

Linux Operating Systems Supported

PCLinuxOS 2010, Ubuntu 11.04, 11.10, 12.04, Red Hat Enterprise Linux WS 4.0, 5.0, 6.0, Fedora 14, openSUSE 11.2, 11.3, 11.4, SUSE Linux Enterprise Server 10, 11, SUSE Linux Enterprise Desktop 10, 11, Red Flag Linux Desktop 6.0, Linpus Linux Desktop 9.6, Debian GNU/Linux 5.0, 6.0, Mint 9, 10, Ubuntu 9.04 LTS, 10.04, 10.10

Microsoft Windows Operating Systems Supported

Server 2008 R2 running Terminal Services, Server 2008 R2, Server 2008 x64 running Terminal Services, Windows 7, Windows 7 x64, Server 2008 running Terminal Services, Server 2008, Vista, XP, Server 2003, XP x64, Server 2003 running Terminal Services, Server 2003 x64, Server 2003 x64 running Terminal Services, Vista x64, Server 2008 x64

Novel Operating Systems Supported

Open Enterprise Server on SUSE Linux Enterprise Server, NetWare 5.1 (SP 6+), 6.0 (SP 3+) with Novel Distributed Print Services (NDPS), NetWare 6.5 Open Enterprise Server

UNIX Operating Systems Supported

IBM AIX 5.2, 5.3, 6.1, 7.1, HP-UX 11.11, 11.23, 11.31, Sun Solaris x86 10, Sun Solaris SPARC 8, 9, 10

Paper Handling Standard

550-Sheet Input Tray, 250-Sheet Output Bin, Integrated Duplex, 100-Sheet Multipurpose Feeder

Paper Handling Optional

550-Sheet Specialty Media Drawer, 2,000-Sheet High-Capacity Feeder, 550-Sheet Drawer

Paper Input Capacity, Standard: Up to

650 pages 20 lb or 75 gsm bond

Paper Input Capacity, Maximum: Up to

4300 pages 20 lb or 75 gsm bond

Paper Output Capacity, Standard: Up to

250 pages 20 lb or 75 gsm bond

Paper Output Capacity, Maximum: Up to

250 pages 20 lb or 75 gsm bond

ADF Paper Input Capacity

Up to 50 pages 20 lb or 75 gsm bond

Finishing Option

No

Number of Paper Inputs, Standard

2

Number of Paper Inputs, Maximum

6

Media Types Supported

Refer to the Card Stock & Label Guide, Plain Paper, Envelopes, Card Stock, Paper Labels, Vinyl Labels, Transparencies

Media Sizes Supported

A6, Oficio, Universal, Statement, Folio, B5, C5 Envelope, A5, 9 Envelope, 10 Envelope, 7 3/4 Envelope, A4, B5 Envelope, DL Envelope, Executive, JIS-B5, Legal, Letter

Standard Ports

Ethernet 10/100/1000 BaseTX (RJ-45), Front USB 2.0 Specification Hi-Speed Certified Port (Type A), USB 2.0 Specification Hi-Speed Certified (Type B), Rear USB 2.0 Specification Hi-Speed Certified Port (Type A)

Optional Network Ports

Internal MarkNet™ N8250 802.11b/g/n Wireless

Optional Local Ports

Internal 1284-B Bidirectional Parallel, Internal RS-232C serial

Network Printing Methods

ThinPrint .print integration, LPR/LPD, Direct IP (Port 9100), HTTP, Enhanced IP (Port 9400), IPP 1.1 (Internet Printing Protocol), FTP, TFTP

Network Protocol Support

UDP, TCP, TCP/IP IPv6, AppleTalk™, TCP/IP IPv4

Network Security

IPSec, 802.1x Authentication: MD5, MSCHAPv2, LEAP, PEAP, TLS, TTLS, SNMPv3

Printer Languages (Standard)

Microsoft XPS (XML Paper Specification), Direct Image, xHTML, PCL 5c Emulation, PCL 6 Emulation, Personal

Printer Data Stream (PPDS), PostScript 3 Emulation, PDF 1.6

Reduce / Enlarge Range

25 - 400 %

Scan Area, Maximum

216 x 355 mm

Scan Area, Maximum

8.5 x 14 inches

Modem Speed

33.6 Kbps

Supplies Yield

7,000*-page color (CMY) Toner Cartridges, 12,000*-page Black High Yield Toner Cartridge

Cartridge(s) Shipping with Product

6,000*-page color (CMY) Starter Return Program Toner Cartridges, 6,000*-page Black starter Return Program Toner Cartridge

Packaged Size (mm - H x W x D)

1044 x 730 x 670 mm

Size (mm - H x W x D)

787 x 546 x 622 mm

Packaged Size (in. - H x W x D)

41.1 x 28.74 x 26.38 in.

Size (in. - H x W x D)

31.0 x 21.5 x 24.5 in.

Size, Trays Extended (mm - H x W x D)

not define mm

Weight (kg)

44.0 kg

Size, Trays Extended (in. - H x W x D)

not define in.

Weight (lb.)

97.0 lb.

Noise Level, Idle

34 dBA

Print Noise Level, Operating

59 dBA

Copy Noise Level, Operating

59 dBA

Scan Noise Level, Operating

54 dBA

Product Warranty

1-Year Onsite Service, Next Business Day

Product Certifications

Energy Star, Blue Angel (RAL-UZ-122), CAN/CSA-C22.2 60950-1, CSA E60825-1, ICES-003 Class A, BSMI Class A, VCCI Class A, US FDA, FCC Class A, UL 60950-1, EN/IEC 60320-1, CE Class A, CB IEC 60950-1, EN 60950-1, EN/IEC 61000-3, EN 55022 Class A, EN 55024, EN/IEC 60825-1, GS (TÜV), AR S (TÜV), SMA C-tick mark Class A, CCC Class A, CISPIR 22 Class A, MIC Mark, EK Mark

Maximum Monthly Duty Cycle

Up to 100,000 pages per month

Recommended Monthly Page Volume

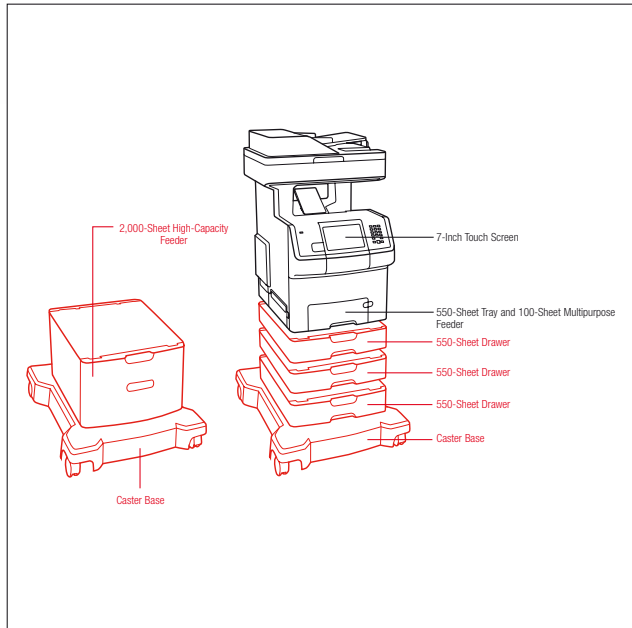
3,000 - 10,000 pages

Specified Operating Environment

Altitude: 0 - 3048 Meters (10,000 Feet), Humidity: 8 to



80% Relative Humidity, Temperature:
16 to 32°C (60 to 90°F)



Standard
 Optional

MULTIFUNCTION COLOR LASER

| Part # | Model |
|---------|----------------|
| 34T5011 | Lexmark X746de |

| Part # | Laser Toner/Print Cartridge |
|----------|--|
| X746H1KG | X746, X748 Black High Yield Return Program Toner Cartridge |
| X746A1CG | X746, X748 Cyan Return Program Toner Cartridge |
| X746A1MG | X746, X748 Magenta Return Program Toner Cartridge |
| X746A1YG | X746, X748 Yellow Return Program Toner Cartridge |
| X746H2KG | X746, X748 Black High Yield Toner Cartridge |
| X746A2CG | X746, X748 Cyan Toner Cartridge |
| X746A2MG | X746, X748 Magenta Toner Cartridge |
| X746A2YG | X746, X748 Yellow Toner Cartridge |
| C734X77G | Waste Toner Box |
| C734X20G | Photoconductor Unit |
| C734X24G | Photoconductor Unit, 4-Pack |

| Part # | Paper Handling |
|---------|----------------------------------|
| 27S2100 | 550-Sheet Drawer |
| 27S2400 | 2,000-Sheet High Capacity Feeder |
| 27S2650 | 550-Sheet Specialty Media Drawer |
| 27S2190 | 4.8 inch (12.2 cm) Spacer |

| Part # | Furniture |
|---------|------------------------|
| 3052765 | Swivel Cabinet |
| 34T5114 | C74x, X74x Caster Base |

| Part # | Memory Options |
|---------|-------------------------------|
| 1025041 | 256MB DDR2-DRAM |
| 1025042 | 512MB DDR2-DRAM |
| 1025043 | 1024MB DDR2-DRAM |
| 14F0245 | 256MB Flash Card |
| 27X0014 | 160+ GB Hard Disk |
| 30G0287 | Arabic Font Card |
| 30G0828 | Japanese Font Card |
| 30G0825 | Korean Font Card |
| 30G0826 | Simplified Chinese Font Card |
| 30G0827 | Traditional Chinese Font Card |

| Part # | Application Solutions |
|---------|---|
| 57X9000 | Lexmark PrintCrypton Card |
| 34T5121 | X746, X748 Card for IPDS |
| 34T5122 | X746, X748 Card for PRESCRIBE Emulation |
| 34T5120 | X746, X748 Forms and Bar Code Card |

| Part # | Connectivity |
|---------|---|
| 27X0025 | MarkNet N8250 802.11b/g/n Wireless Print Server |
| 1021294 | USB Cable (2-meter) |
| 14F0000 | Parallel 1284-B Interface Card |
| 1021231 | Parallel Cable (10-foot) |
| 14F0100 | RS-232C Serial Interface Card |

| Part # | Extended Warranties |
|---------|--|
| 2355052 | X746 2-Years Total (1+1) Onsite Service, Next Business Day |
| 2355053 | X746 3-Years Total (1+2) Onsite Service, Next Business Day |
| 2355054 | X746 4-Years Total (1+3) Onsite Service, Next Business Day |
| 2355055 | X746 5-Years Total (1+4) Onsite Service, Next Business Day |
| 2355056 | X746 1-Year Onsite Service Renewal, Next Business Day |

| Part # | User Replaceable Parts |
|---------|---------------------------------------|
| 40X8110 | C74x, X74x Fuser Maintenance 110-120V |
| 40X5187 | ADF Separator Pad |
| 40X5188 | ADF Pick Assembly |
| 40X5189 | ADF Pick Pad |
| 40X5168 | Pick Tire |
| 40X5152 | Pick Tire, Specialty Media Drawer |
| 40X6401 | Transfer Belt Maintenance Kit |

| Part # | Installation Service |
|---------|----------------------------------|
| 2355059 | X746 Install, De-Install Service |



Lexmark X748de

The Lexmark X748de MFP delivers high-quality color printing and reliable performance. Security controls and workflow-enhancing solutions make high-volume printing easy and secure.

Print Technology

Color Laser

Function

Color Network Scanning, Color Scanning, Color Printing, Color Faxing, Color Copying

Display

Lexmark e-Task 7-inch (17.8 cm) color touch screen

Print Speed (Letter, Black)

Up to 35 ppm

Print Speed (Letter, Color)

Up to 35 ppm

Print Speed (Letter, Black) Duplex

Up to 23 ppm

Time to First Page (Black)

As fast as 9 seconds

Time to First Page (Color)

As fast as 9 seconds

Copy Speed (Letter, Black)

Up to 35 cpm

Copy Speed (Letter, Color)

Up to 35 cpm

Time to First Copy (Black)

As fast as 13 seconds

Print Resolution, Black

4800 Color Quality (2400 x 600 dpi), 1200 x 1200 dpi

Print Resolution, Color

4800 Color Quality (2400 x 600 dpi), 1200 x 1200 dpi

ADF Scan

RADF (Reversing Duplex)

Optical Scanning Resolution

600 X 600 ppi

Memory, Standard

512 MB

Memory, Maximum

1536 MB

Hard Disk

Included in configuration

Expandable Memory Options

Yes

Apple Macintosh Operating Systems Supported

Mac OS X (10.5, 10.6, 10.7)

Linux Operating Systems Supported

PCLinuxOS 2010, Ubuntu 11.04, 11.10, 12.04, Red Hat Enterprise Linux WS 4.0, 5.0, 6.0, Fedora 14, openSUSE 11.2, 11.3, 11.4, SUSE Linux Enterprise Server 10, 11, SUSE Linux Enterprise Desktop 10, 11, Red Flag Linux Desktop 6.0, Linpus Linux Desktop 9.6, Debian GNU/Linux 5.0, 6.0, Mint 9, 10, Ubuntu 9.04 LTS, 10.04, 10.10

Microsoft Windows Operating Systems Supported

Server 2008 R2 running Terminal Services, Server 2008 R2, Server 2008 x64 running Terminal Services, Windows 7, Windows 7 x64, Server 2008 running Terminal Services, Server 2008, Vista, XP, Server 2003, XP x64, Server 2003 running Terminal Services, Server 2003 x64, Server 2003 x64 running Terminal Services, Vista x64, Server 2003 x64

Novel Operating Systems Supported

Open Enterprise Server on SUSE Linux Enterprise Server, NetWare 5.1(SP 6+), 6.0(SP 3+) with Novel Distributed Print Services (NDPS), NetWare 6.5 Open Enterprise Server

UNIX Operating Systems Supported

IBM AIX 5.2, 5.3, 6.1, 7.1, HP-UX 11.11, 11.23, 11.31, Sun Solaris x86 10, Sun Solaris SPARC 8, 9, 10

Paper Handling Standard

550-Sheet Input Tray, 250-Sheet Output Bin, Integrated Duplex, 100-Sheet Multipurpose Feeder

Paper Handling Optional

550-Sheet Specialty Media Drawer, 2,000-Sheet High-Capacity Feeder, 550-Sheet Drawer

Paper Input Capacity, Standard: Up to

650 pages 20 lb or 75 gsm bond

Paper Input Capacity, Maximum: Up to

4300 pages 20 lb or 75 gsm bond

Paper Output Capacity, Standard: Up to

250 pages 20 lb or 75 gsm bond

Paper Output Capacity, Maximum: Up to

250 pages 20 lb or 75 gsm bond

ADF Paper Input Capacity

Up to 50 pages 20 lb or 75 gsm bond

Finishing Option

No

Number of Paper Inputs, Standard

2

Number of Paper Inputs, Maximum

6

Media Types Supported

Refer to the Card Stock & Label Guide, Plain Paper, Envelopes, Card Stock, Paper Labels, Vinyl Labels, Transparencies

Media Sizes Supported

A6, Oficio, Universal, Statement, Folio, B5, C5 Envelope, A5, 9 Envelope, 10 Envelope, 7 3/4 Envelope, A4, B5 Envelope, DL Envelope, Executive, JIS-B5, Legal, Letter

Standard Ports

Ethernet 10/100/1000 BaseTX (RJ-45), USB 2.0 Specification Hi-Speed Certified (Type B), Front USB 2.0 Specification Hi-Speed Certified Port (Type A), Rear USB 2.0 Specification Hi-Speed Certified Port (Type A)

Optional Network Ports

Internal MarkNet™ N8250 802.11b/g/n Wireless

Optional Local Ports

Internal 1284-B Bidirectional Parallel, Internal RS-232C serial

Network Printing Methods

ThinPrint .print integration, LPR/LPD, Direct IP (Port 9100), HTTP, Enhanced IP (Port 9400), IPP 1.1 (Internet Printing Protocol), FTP, TFTP

Network Protocol Support

UDP, TCP, TCP/IP IPv6, AppleTalk™, TCP/IP IPv4

Network Security

IPSec, 802.1x Authentication: MD5, MSCHAPv2, LEAP, PEAP, TLS, TTLS, SNMPv3

Printer Languages (Standard)

Microsoft XPS (XML Paper Specification), PDF 1.6, PCL 5c Emulation, PCL 6 Emulation, Personal Printer Data Stream

(PPDS), PostScript 3 Emulation, xHTML, Direct Image

Reduce / Enlarge Range

25 - 400 %

Scan Area, Maximum

216 x 355 mm

Scan Area, Maximum

8.5 x 14 inches

Modem Speed

33.6 Kbps

Supplies Yield

7,000*-page color (CMY) Toner Cartridges, 10,000*-page color High Yield Toner Cartridges (CMY), 12,000*-page Black High Yield Toner Cartridge

Cartridge(s) Shipping with Product

12,000*-page Black High Yield Return Program Toner Cartridge, 10,000*-page color (CMY) High Yield Return Program Toner Cartridges

Packaged Size (mm - H x W x D)

1044 x 730 x 670 mm

Size (mm - H x W x D)

787 x 546 x 622 mm

Packaged Size (in. - H x W x D)

41.1 x 28.74 x 26.38 in.

Size (in. - H x W x D)

31.0 x 21.5 x 24.5 in.

Size, Trays Extended (mm - H x W x D)

not define mm

Weight (kg)

44.2 kg

Size, Trays Extended (in. - H x W x D)

not define in.

Weight (lb.)

97.5 lb.

Noise Level, Idle

34 dBA

Print Noise Level, Operating

57 dBA

Copy Noise Level, Operating

58 dBA

Scan Noise Level, Operating

54 dBA

Product Warranty

1-Year Onsite Service, Next Business Day

Product Certifications

Energy Star, Blue Angel (RAL-UZ-122), CAN/CSA-C22.2 60950-1, CSA E60825-1, ICES-003 Class A, BSMI Class A, VCCI Class A, US FDA, FCC Class A, UL 60950-1, EN/IEC 60320-1, CE Class A, CB IEC 60950-1, EN 60950-1, EN/IEC 61000-3, EN 55022 Class A, EN 55024, EN/IEC 60825-1, GS (TÜV), AR S (TÜV), SMA C-tick mark Class A, CCC Class A, CISPIR 22 Class A, MIC Mark, EK Mark

Maximum Monthly Duty Cycle

Up to 100,000 pages per month

Recommended Monthly Page Volume

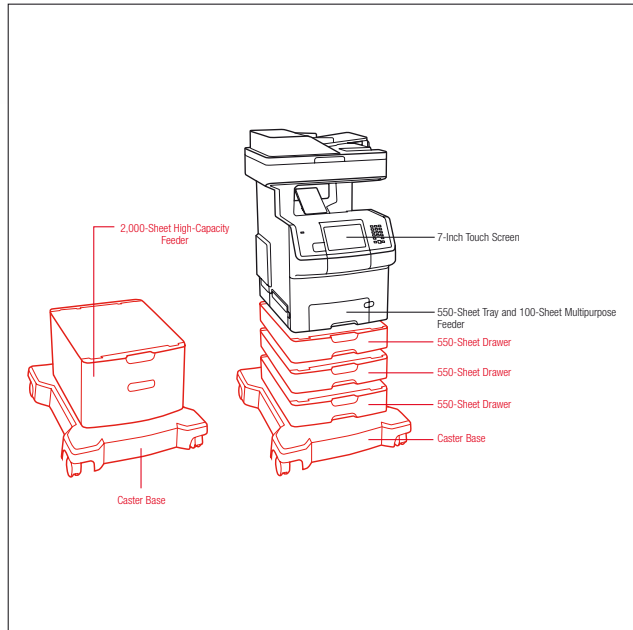
3,000 - 10,000 pages

Specified Operating Environment

Altitude: 0 - 3048 Meters (10,000 Feet), Humidity: 8 to



80% Relative Humidity, Temperature:
16 to 32°C (60 to 90°F)



■ Standard
■ Optional

| Part # | Model |
|---------|----------------|
| 34T5012 | Lexmark X748de |

| Part # | Laser Toner/Print Cartridge |
|----------|--|
| X748H1KG | X746, X748 Black High Yield Return Program Toner Cartridge |
| X748H1CG | X748 Cyan High Yield Return Program Toner Cartridge |
| X748H1MG | X748 Magenta High Yield Return Program Toner Cartridge |
| X748H1YG | X748 Yellow High Yield Return Program Toner Cartridge |
| X746A1CG | X746, X748 Cyan Return Program Toner Cartridge |
| X746A1MG | X746, X748 Magenta Return Program Toner Cartridge |
| X746A1YG | X746, X748 Yellow Return Program Toner Cartridge |
| X746H2KG | X746, X748 Black High Yield Toner Cartridge |
| X748H2CG | X748 Cyan High Yield Toner Cartridge |
| X748H2MG | X748 Magenta High Yield Toner Cartridge |
| X748H2YG | X748 Yellow High Yield Toner Cartridge |
| X746A2CG | X746, X748 Cyan Toner Cartridge |
| X746A2MG | X746, X748 Magenta Toner Cartridge |
| X746A2YG | X746, X748 Yellow Toner Cartridge |
| C734X77G | Waste Toner Box |
| C734X20G | Photoconductor Unit |
| C734X24G | Photoconductor Unit, 4-Pack |

| Part # | Paper Handling |
|---------|----------------------------------|
| 27S2100 | 550-Sheet Drawer |
| 27S2400 | 2,000-Sheet High Capacity Feeder |
| 27S2650 | 550-Sheet Specialty Media Drawer |
| 27S2190 | 4.8 inch (12.2 cm) Spacer |

| Part # | Furniture |
|---------|------------------------|
| 3052765 | Swivel Cabinet |
| 34T5114 | C74x, X74x Caster Base |

| Part # | Memory Options |
|---------|-------------------------------|
| 1025041 | 256MB DDR2-DRAM |
| 1025042 | 512MB DDR2-DRAM |
| 1025043 | 1024MB DDR2-DRAM |
| 14F0245 | 256MB Flash Card |
| 30G0287 | Arabic Font Card |
| 30G0828 | Japanese Font Card |
| 30G0825 | Korean Font Card |
| 30G0826 | Simplified Chinese Font Card |
| 30G0827 | Traditional Chinese Font Card |

| Part # | Application Solutions |
|---------|---|
| 57X9000 | Lexmark Print/Cryption Card |
| 34T5121 | X746, X748 Card for IPDS |
| 34T5122 | X746, X748 Card for PRESCRIBE Emulation |
| 34T5120 | X746, X748 Forms and Bar Code Card |

| Part # | Connectivity |
|---------|---|
| 27X0025 | MarkNet N8250 802.11b/g/n Wireless Print Server |

| | |
|---------|--------------------------------|
| 1021294 | USB Cable (2-meter) |
| 14F0000 | Parallel 1284-B Interface Card |
| 1021231 | Parallel Cable (10-foot) |
| 14F0100 | RS-232C Serial Interface Card |

| Part # | Extended Warranties |
|---------|--|
| 2355080 | X748 2-Years Total (1+1) Onsite Service, Next Business Day |
| 2355081 | X748 3-Years Total (1+2) Onsite Service, Next Business Day |
| 2355082 | X748 4-Years Total (1+3) Onsite Service, Next Business Day |
| 2355083 | X748 5-Years Total (1+4) Onsite Service, Next Business Day |
| 2355084 | X748 1-Year Onsite Service Renewal, Next Business Day |

| Part # | User Replaceable Parts |
|---------|---------------------------------------|
| 40X8110 | C74x, X74x Fuser Maintenance 110-120V |
| 40X5187 | ADF Separator Pad |
| 40X5188 | ADF Pick Assembly |
| 40X5189 | ADF Pick Pad |
| 40X5168 | Pick Tire |
| 40X5152 | Pick Tire, Specialty Media Drawer |
| 40X6401 | Transfer Belt Maintenance Kit |

| Part # | Installation Service |
|---------|----------------------------------|
| 2355087 | X748 Install, De-Install Service |



Lexmark X748dte

The Lexmark X748dte MFP delivers the fast, high-quality color printing, scanning and copying essential to midsized workgroups in the busiest office environments.

Print Technology

Color Laser

Function

Color Network Scanning, Color Scanning, Color Printing, Color Faxing, Color Copying

Display

Lexmark e-Task 7-inch (17.8 cm) color touch screen

Print Speed (Letter, Black)

Up to 35 ppm

Print Speed (Letter, Color)

Up to 35 ppm

Print Speed (Letter, Black) Duplex

Up to 23 ppm

Time to First Page (Black)

As fast as 9 seconds

Time to First Page (Color)

As fast as 9 seconds

Copy Speed (Letter, Black)

Up to 35 cpm

Copy Speed (Letter, Color)

Up to 35 cpm

Time to First Copy (Black)

As fast as 13 seconds

Print Resolution, Black

4800 Color Quality (2400 x 600 dpi), 1200 x 1200 dpi

Print Resolution, Color

4800 Color Quality (2400 x 600 dpi), 1200 x 1200 dpi

ADF Scan

RADF (Reversing Duplex)

Optical Scanning Resolution

600 X 600 ppi

Memory, Standard

512 MB

Memory, Maximum

1536 MB

Hard Disk

Included in configuration

Expandable Memory Options

Yes

Apple Macintosh Operating Systems Supported

Mac OS X (10.5, 10.6, 10.7)

Linux Operating Systems Supported

PCLinuxOS 2010, Ubuntu 11.04, 11.10, 12.04, Red Hat Enterprise Linux WS 4.0, 5.0, 6.0, Fedora 14, openSUSE 11.2, 11.3, 11.4, SUSE Linux Enterprise Server 10, 11, SUSE Linux Enterprise Desktop 10, 11, Red Flag Linux Desktop 6.0, Linpus Linux Desktop 9.6, Debian GNU/Linux 5.0, 6.0, Mint 9, 10, Ubuntu 9.04 LTS, 10.04, 10.10

Microsoft Windows Operating Systems Supported

Server 2008 R2 running Terminal Services, Server 2008 R2, Server 2008 x64 running Terminal Services, Windows 7, Windows 7 x64, Server 2008 running Terminal Services, Server 2008, Vista, XP, Server 2003, XP x64, Server 2003 running Terminal Services, Server 2003 x64, Server 2003 x64 running Terminal Services, Vista x64, Server 2003 x64 Novell Operating Systems Supported

Open Enterprise Server on SUSE Linux Enterprise Server, NetWare 5.1 (SP 6+), 6.0 (SP 3+) with Novell Distributed Print Services (NDPS), NetWare 6.5 Open Enterprise Server

UNIX Operating Systems Supported

IBM AIX 5.2, 5.3, 6.1, 7.1, HP-UX 11.11, 11.23, 11.31, Sun Solaris x86 10, Sun Solaris SPARC 8, 9, 10

Paper Handling Standard

550-Sheet Input Tray, Integrated Duplex, 250-Sheet Output Bin, 100-Sheet Multipurpose Feeder, 550-Sheet Drawer

Paper Handling Optional

550-Sheet Specialty Media Drawer, 2,000-Sheet High-Capacity Feeder, 550-Sheet Drawer

Paper Input Capacity, Standard: Up to

1200 pages 20 lb or 75 gsm bond

Paper Input Capacity, Maximum: Up to

4300 pages 20 lb or 75 gsm bond

Paper Output Capacity, Standard: Up to

250 pages 20 lb or 75 gsm bond

Paper Output Capacity, Maximum: Up to

250 pages 20 lb or 75 gsm bond

ADF Paper Input Capacity

Up to 50 pages 20 lb or 75 gsm bond

Finishing Option

No

Number of Paper Inputs, Standard

3

Number of Paper Inputs, Maximum

6

Media Types Supported

Refer to the Card Stock & Label Guide, Plain Paper, Envelopes, Card Stock, Paper Labels, Vinyl Labels, Transparencies

Media Sizes Supported

A6, Oficio, Universal, Statement, Folio, B5, C5 Envelope, A5, 9 Envelope, 10 Envelope, 7 3/4 Envelope, A4, B5 Envelope, DL Envelope, Executive, JIS-B5, Legal, Letter

Standard Ports

Ethernet 10/100/1000 BaseTX (RJ-45), USB 2.0 Specification Hi-Speed Certified (Type B), Front USB 2.0 Specification Hi-Speed Certified Port (Type A), Rear USB 2.0 Specification Hi-Speed Certified Port (Type A)

Optional Network Ports

Internal MarkNet™ N8250 802.11b/g/n Wireless

Optional Local Ports

Internal 1284-B Bidirectional Parallel, Internal RS-232C serial

Network Printing Methods

ThinPrint .print integration, LPR/LPD, Direct IP (Port 9100), HTTP, Enhanced IP (Port 9400), IPP 1.1 (Internet Printing Protocol), FTP, TFTP

Network Protocol Support

UDP, TCP, TCP/IP IPv6, AppleTalk™, TCP/IP IPv4

Network Security

IPSec, 802.1x Authentication: MD5, MSCHAPv2, LEAP, PEAP, TLS, TTLS, SNMPv3

Printer Languages (Standard)

Microsoft XPS (XML Paper Specification), PDF 1.6, PCL 5c Emulation, PCL 6 Emulation, Personal Printer Data Stream

(PPDS), PostScript 3 Emulation, xHTML, Direct Image

Reduce / Enlarge Range

25 - 400 %

Scan Area, Maximum

216 x 355 mm

Scan Area, Maximum

8.5 x 14 inches

Modem Speed

33.6 Kbps

Supplies Yield

7,000*-page color (CMY) Toner Cartridges, 10,000*-page color High Yield Toner Cartridges (CMY), 12,000*-page Black High Yield Toner Cartridge

Cartridge(s) Shipping with Product

12,000*-page Black High Yield Return Program Toner Cartridge, 10,000*-page color (CMY) High Yield Return Program Toner Cartridges

Packaged Size (mm - H x W x D)

1044 x 730 x 670 mm

Size (mm - H x W x D)

909 x 546 x 622 mm

Packaged Size (in. - H x W x D)

50.15 x 28.74 x 26.38 in.

Size (in. - H x W x D)

35.8 x 21.5 x 24.5 in.

Size, Trays Extended (mm - H x W x D)

not define mm

Weight (kg)

48.3 kg

Size, Trays Extended (in. - H x W x D)

not define in.

Weight (lb.)

106.5 lb.

Noise Level, Idle

34 dBA

Print Noise Level, Operating

57 dBA

Copy Noise Level, Operating

58 dBA

Scan Noise Level, Operating

54 dBA

Product Warranty

1-Year Onsite Service, Next Business Day

Product Certifications

Energy Star, Blue Angel (RAL-UZ-122), CAN/CSA-C22.2 60950-1, CSA E60825-1, ICES-003 Class A, BSMI Class A, VCCI Class A, US FDA, FCC Class A, UL 60950-1, EN/IEC 60320-1, CE Class A, CB IEC 60950-1, EN 60950-1, EN/IEC 61000-3, EN 55022 Class A, EN 55024, EN/IEC 60825-1, GS (TÜV), AR S (TÜV), SMA C-tick mark Class A, CCC Class A, CISPIR 22 Class A, MIC Mark, EK Mark

Maximum Monthly Duty Cycle

Up to 100,000 pages per month

Recommended Monthly Page Volume

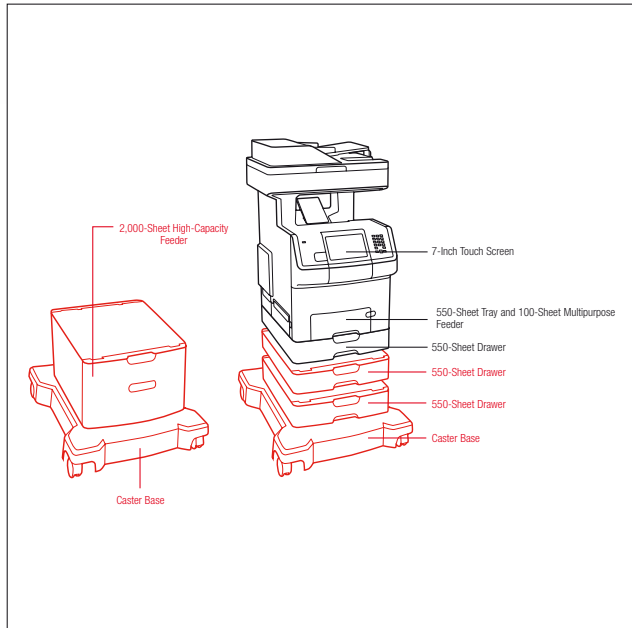
3,000 - 10,000 pages

Specified Operating Environment

Altitude: 0 - 3048 Meters (10,000 Feet), Humidity: 8 to



80% Relative Humidity, Temperature:
16 to 32°C (60 to 90°F)



■ Standard
■ Optional

| Part # | Model |
|---------|-----------------|
| 34T5013 | Lexmark X748dtf |

| Part # | Laser Toner/Print Cartridge |
|----------|--|
| X748H1KG | X746, X748 Black High Yield Return Program Toner Cartridge |
| X748H1CG | X748 Cyan High Yield Return Program Toner Cartridge |
| X748H1MG | X748 Magenta High Yield Return Program Toner Cartridge |
| X748H1YG | X748 Yellow High Yield Return Program Toner Cartridge |
| X746A1CG | X746, X748 Cyan Return Program Toner Cartridge |
| X746A1MG | X746, X748 Magenta Return Program Toner Cartridge |
| X746A1YG | X746, X748 Yellow Return Program Toner Cartridge |
| X746H2CG | X746, X748 Black High Yield Toner Cartridge |
| X748H2CG | X748 Cyan High Yield Toner Cartridge |
| X748H2MG | X748 Magenta High Yield Toner Cartridge |
| X748H2YG | X748 Yellow High Yield Toner Cartridge |
| X746A2CG | X746, X748 Cyan Toner Cartridge |
| X746A2MG | X746, X748 Magenta Toner Cartridge |
| X746A2YG | X746, X748 Yellow Toner Cartridge |
| C734X77G | Waste Toner Box |
| C734X20G | Photoconductor Unit |
| C734X24G | Photoconductor Unit, 4-Pack |

| Part # | Paper Handling |
|---------|----------------------------------|
| 27S2100 | 550-Sheet Drawer |
| 27S2400 | 2,000-Sheet High Capacity Feeder |
| 27S2650 | 550-Sheet Specialty Media Drawer |
| 27S2190 | 4.8 inch (12.2 cm) Spacer |

| Part # | Furniture |
|---------|------------------------|
| 3052765 | Swivel Cabinet |
| 34T5114 | C74x, X74x Caster Base |

| Part # | Memory Options |
|---------|-------------------------------|
| 1025041 | 256MB DDR2-DRAM |
| 1025042 | 512MB DDR2-DRAM |
| 1025043 | 1024MB DDR2-DRAM |
| 14F0245 | 256MB Flash Card |
| 30G0287 | Arabic Font Card |
| 30G0828 | Japanese Font Card |
| 30G0825 | Korean Font Card |
| 30G0826 | Simplified Chinese Font Card |
| 30G0827 | Traditional Chinese Font Card |

| Part # | Application Solutions |
|---------|---|
| 57X9000 | Lexmark Print/Cryption Card |
| 34T5121 | X746, X748 Card for IPDS |
| 34T5122 | X746, X748 Card for PRESCRIBE Emulation |
| 34T5120 | X746, X748 Forms and Bar Code Card |

| Part # | Connectivity |
|---------|---|
| 27X0025 | MarkNet N8250 802.11b/g/n Wireless Print Server |

| | |
|---------|--------------------------------|
| 1021294 | USB Cable (2-meter) |
| 14F0000 | Parallel 1284-B Interface Card |
| 1021231 | Parallel Cable (10-foot) |
| 14F0100 | RS-232C Serial Interface Card |

| Part # | Extended Warranties |
|---------|--|
| 2355080 | X748 2-Years Total (1+1) Onsite Service, Next Business Day |
| 2355081 | X748 3-Years Total (1+2) Onsite Service, Next Business Day |
| 2355082 | X748 4-Years Total (1+3) Onsite Service, Next Business Day |
| 2355083 | X748 5-Years Total (1+4) Onsite Service, Next Business Day |
| 2355084 | X748 1-Year Onsite Service Renewal, Next Business Day |

| Part # | User Replaceable Parts |
|---------|---------------------------------------|
| 40X8110 | C74x, X74x Fuser Maintenance 110-120V |
| 40X5187 | ADF Separator Pad |
| 40X5188 | ADF Pick Assembly |
| 40X5189 | ADF Pick Pad |
| 40X5168 | Pick Tire |
| 40X5152 | Pick Tire, Specialty Media Drawer |
| 40X6401 | Transfer Belt Maintenance Kit |

| Part # | Installation Service |
|---------|----------------------------------|
| 2355087 | X748 Install, De-install Service |



Lexmark X792de

The Lexmark X792de color multifunction printer elevates your workgroup productivity through brilliant color printing, productivity solutions, flexible features and an intuitive color touch screen.

Print Technology

Color Laser

Function

Color Network Scanning, Color Scanning, Color Printing, Color Faxing, Color Copying

Display

Lexmark e-Task 10.2-inch (25.9 cm) color touch screen

Print Speed (Letter, Black)

Up to 50 ppm

Print Speed (Letter, Color)

Up to 50 ppm

Print Speed (Letter, Black) Duplex

Up to 50 spm

Time to First Page (Black)

As fast as 8 seconds

Time to First Page (Color)

As fast as 8.5 seconds

Copy Speed (Letter, Black)

Up to 50 cpm

Copy Speed (Letter, Color)

Up to 50 cpm

Time to First Copy (Black)

As fast as 10 seconds

Print Resolution, Black

4800 Color Quality (2400 x 600 dpi), 1200 x 1200 dpi

Print Resolution, Color

4800 Color Quality (2400 x 600 dpi), 1200 x 1200 dpi

ADF Scan

DADF (Single Pass Duplex)

Optical Scanning Resolution

600 X 600 ppi

Memory, Standard

1024 MB

Memory, Maximum

2048 MB

Hard Disk

Included in configuration

Expandable Memory Options

Yes

Apple Macintosh Operating Systems Supported

Mac OS X

Linux Operating Systems Supported

Fedora 12, 13, Ubuntu 9.04, 9.10, 10.04, Red Flag Linux Desktop 6.0, openSUSE 11.0, 11.1, SUSE Linux Enterprise Server 10, 11, Debian GNU/Linux 5.0, SUSE Linux Enterprise Desktop 10, 11, Red Hat Enterprise Linux WS 4.0, 5.0, Linpus Linux Desktop 9.6

Microsoft Windows Operating Systems Supported

Server 2008 R2 running Terminal Services, Windows 7 x64, Server 2008 R2, Windows 7, Server 2008 running Terminal Services, Server 2008, Vista, Server 2003 x64, XP, Server 2003, XP x64, Server 2003 running Terminal Services, Server 2003 x64 running Terminal Services, Vista x64, Server 2008 x64, Server 2008 x64 running Terminal Services

Novell Operating Systems Supported

Open Enterprise Server on SUSE Linux Enterprise Server, NetWare 6.5 Open Enterprise Server, NetWare 5.1 (SP 6+), 6.0 (SP 3+) with Novell Distributed Print Services (NDPS)

UNIX Operating Systems Supported

Sun openSolaris X86 2010.02, IBM AIX 5.2, 5.3, 6.1, Sun Solaris x86 10, Sun Solaris SPARC 8, 9, 10, HP-UX 11.11, 11.23, 11.31, Sun openSolaris SPARC 2010.02

Paper Handling Standard

550-Sheet Input Tray, 500-Sheet Output Bin, Integrated Duplex, 100-Sheet Multipurpose Feeder

Paper Handling Optional

500-Sheet Staple Punch Finisher, 500-Sheet Staple Finisher, 500-Sheet Offset Stacker, 2,000-Sheet High-Capacity Feeder, 5-Bin Mailbox, 550-Sheet Drawer

Paper Input Capacity, Standard: Up to

650 pages 20 lb or 75 gsm bond

Paper Input Capacity, Maximum: Up to

2650 pages 20 lb or 75 gsm bond

Paper Output Capacity, Standard: Up to

500 pages 20 lb or 75 gsm bond

Paper Output Capacity, Maximum: Up to

1000 pages 20 lb or 75 gsm bond

ADF Paper Input Capacity

Up to 75 pages 20 lb or 75 gsm bond

Finishing Option

Yes

Number of Paper Inputs, Standard

2

Number of Paper Inputs, Maximum

5

Media Types Supported

Banner Paper, Integrated Labels, Card Stock, Dual Web Labels, Envelopes, Glossy Paper, Paper Labels, Refer to the Card Stock & Label Guide, Transparencies, Polyester Labels, Plain Paper, Vinyl Labels, Outdoor Media

Media Sizes Supported

Universal, Statement, Letter, Legal, DL Envelope, B5 Envelope, A4, 7 3/4 Envelope, 10 Envelope, 9 Envelope, A5, C5 Envelope, Executive, Folio, JIS-B5

Standard Ports

Ethernet 10/100/1000 BaseTX (RJ-45), Rear USB 2.0 Specification Hi-Speed Certified Port (Type A), USB 2.0 Specification Hi-Speed Certified (Type B), Front USB 2.0 Specification Hi-Speed Certified Port (Type A)

Optional Network Ports

Internal MarkNet™ N8250 802.11b/g/n Wireless, External MarkNet™ N7020e Gigabit Ethernet, Internal MarkNet™ N8120 Gigabit Ethernet, Internal MarkNet™ N8130e Fiber Fast Ethernet

Optional Local Ports

Internal 1284-B Bidirectional Parallel, Internal RS-232C serial

Network Printing Methods

ThinPrint .print integration, LPR/LPD, Direct IP (Port 9100), HTTP, NDPS/NEPS (Novell Distributed Print Services, Novell Network Enterprise Print Services), Enhanced IP (Port 9400), IPP 1.1 (Internet Printing Protocol), FTP, TFTP

Network Protocol Support

UDP, TCP, TCP/IP IPv6, AppleTalk™, TCP/IP IPv4

Network Security

IPSec, SNMPv3, 802.1x Authentication: MD5, MSCHAPv2, LEAP, PEAP, TLS, TTLS

Printer Languages (Standard)

AirPrint™, Direct Image, Microsoft XPS (XML Paper Specification), PDF 1.6, PostScript 3 Emulation, PCL 6 Emulation, PCL 5c Emulation, Personal Printer Data Stream (PPDS), xHTML

Reduce / Enlarge Range

25 - 400 %

Scan Area, Maximum

216 x 355 mm

Scan Area, Maximum

8.5 x 14 inches

Modem Speed

33.6 Kbps

Supplies Yield

20,000*-page (CMYK) Extra High Yield Print Cartridges, 6,000*-page (CMYK) Print Cartridges

Cartridge(s) Shipping with Product

12,000*-page Black and Color (CMY) Starter Return Program Print Cartridges

Packaged Size (mm - H x W x D)

1094 x 760 x 725 mm

Size (mm - H x W x D)

825.5 x 559 x 508 mm

Packaged Size (in. - H x W x D)

43.07 x 29.92 x 28.54 in.

Size (in. - H x W x D)

32.5 x 22.0 x 20.0 in.

Size, Trays Extended (mm - H x W x D)

825.5 x 850 x 508 mm

Weight (kg)

73.2 kg

Size, Trays Extended (in. - H x W x D)

32.5 x 33.5 x 20.0 in.

Weight (lb.)

161 lb.

Noise Level, Idle

27 dBA

Print Noise Level, Operating

52 dBA

Copy Noise Level, Operating

53 dBA

Scan Noise Level, Operating

54 dBA

Product Warranty

1-Year Onsite Service, Next Business Day

Product Certifications

Energy Star, Blue Angel (RAL-UZ-122), ENIEC 60825-1 (Class 1 Laser Product), CAN/CSA-C22.2 60950-1-07, ICES-003 Class A, BSMI Class A, CNS 13438, VCCI Class A, FCC Class A, UL 60950-1, ENIEC 60320-1, NOM-019-SCFI-1998, CE Class A, CB IEC 60950-1, EN 60950-1, ENIEC 61000-3, EN 55022 Class A, EN 55024, GS (TÜV),



SAT, SABS, ZIK, KPSIM, Bel GISS, GOST-R 'Cot' Mark, N Mark, UL AR, CS, TÜV Rh, ACMA A-tick mark Class A, AS/NZS 60950-1, CCC Class A, CISPIR 22 Class A, MIC Mark, EK-K60950, PPS

Maximum Monthly Duty Cycle

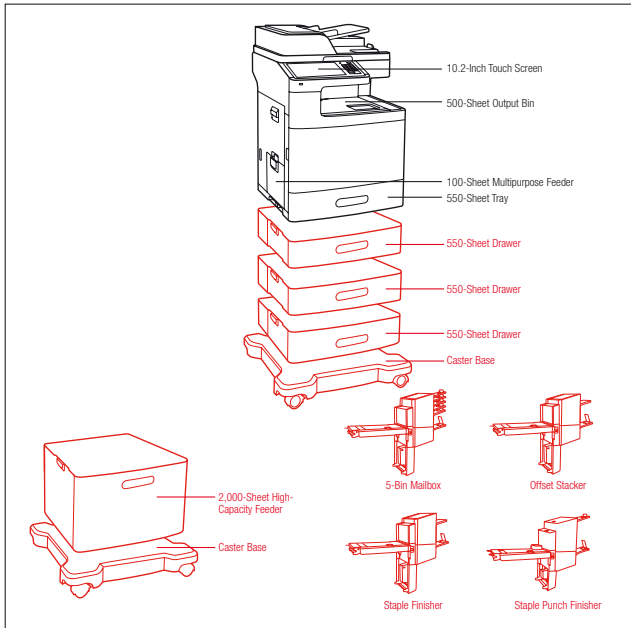
Up to 150000 pages per month

Recommended Monthly Page Volume

2500 - 17000 pages

Specified Operating Environment

Altitude: 0 - 3048 Meters (10,000 Feet), Temperature: 16 to 32°C (60 to 90°F), Humidity: 8 to 80% Relative Humidity



■ Standard
■ Optional

| Part # | Model |
|---------|----------------|
| 47B1000 | Lexmark X792de |

| Part # | Laser Toner/Print Cartridge |
|----------|--|
| X792X1KG | X792 Black Extra High Yield Return Program Print Cartridge |
| X792X1CG | X792 Cyan Extra High Yield Return Program Print Cartridge |
| X792X1MG | X792 Magenta Extra High Yield Return Program Print Cartridge |
| X792X1YG | X792 Yellow Extra High Yield Return Program Print Cartridge |
| C792A1KG | C792, X792 Black Return Program Print Cartridge |
| C792A1CG | C792, X792 Cyan Return Program Print Cartridge |
| C792A1MG | C792, X792 Magenta Return Program Print Cartridge |
| C792A1YG | C792, X792 Yellow Return Program Print Cartridge |
| X792X2KG | X792 Black Extra High Yield Print Cartridge |
| X792X2CG | X792 Cyan Extra High Yield Print Cartridge |
| X792X2MG | X792 Magenta Extra High Yield Print Cartridge |
| X792X2YG | X792 Yellow Extra High Yield Print Cartridge |
| C792X77G | C792, X792 Waste Toner Bottie |
| 25A0013 | Staple Cartridges (3 pack) |

| Part # | Paper Handling |
|---------|--|
| 47B0110 | C792, X792 550-Sheet Drawer |
| 47B0111 | C792, X792 2000-Sheet High Capacity Feeder |
| 47B1101 | C792, X792 5-Bin Mailbox |
| 47B1102 | C792, X792 500-Sheet Offset Stacker |
| 47B1100 | C792, X792 500-Sheet Staple Finisher |
| 47B1103 | C792, X792 500-Sheet Staple, Hole Punch Finisher |
| 47B0112 | C792, X792 Spacer |
| 47B0118 | X792 Banner Media Tray |

| Part # | Furniture |
|---------|------------------------|
| 47B0114 | C792, X792 Caster Base |

| Part # | Memory Options |
|---------|-------------------------------|
| 1025041 | 256MB DDR2-DRAM |
| 1025042 | 512MB DDR2-DRAM |
| 1025043 | 1024MB DDR2-DRAM |
| 14F0245 | 256MB Flash Card |
| 30G0287 | Arabic Font Card |
| 30G0828 | Japanese Font Card |
| 30G0825 | Korean Font Card |
| 30G0826 | Simplified Chinese Font Card |
| 30G0827 | Traditional Chinese Font Card |

| Part # | Application Solutions |
|---------|-----------------------------------|
| 47B1111 | X792 Card for IPDS |
| 47B1110 | X792 Forms and Bar Code Card |
| 47B1112 | X792 Card for PRESCRIBE Emulation |
| 57X9000 | Lexmark PrintCryption Card |

| Part # | Connectivity |
|---------|---|
| 27X0025 | MarkNet N8250 802.11b/g/n Wireless Print Server |

| | |
|---------|---|
| 14F0037 | MarkNet N8120 Gigabit Ethernet Print Server |
| 14F0042 | MarkNet N8130 Fiber Ethernet 100BaseFX, 10BaseFL Print Server |
| 14T0220 | MarkNet™ N7020e Gigabit Ethernet Print Server |
| 1021294 | USB Cable (2-meter) |
| 14F0000 | Parallel 1284-B Interface Card |
| 1021231 | Parallel Cable (10-foot) |
| 14F0100 | RS-232C Serial Interface Card |

| Part # | Extended Warranties |
|---------|---|
| 2353776 | X792 2-Years Total Onsite Service, Next Business Day |
| 2353777 | X792 3-Years Total Onsite Service, Next Business Day |
| 2353778 | X792 4-Years Total Onsite Service, Next Business Day |
| 2353779 | X792 5-Years Total Onsite Service, Next Business Day |
| 2353780 | X792 1-Year Onsite Service Renewal, Next Business Day |

| Part # | User Replaceable Parts |
|---------|--|
| 40X7100 | C792, X792 Fuser Maintenance Kit 110-120V |
| 40X7103 | C792, X792 Transfer module Maintenance Kit |
| 40X7220 | X792 ADF Maintenance Kit |

| Part # | Service Parts |
|---------|-------------------------------|
| 40X6104 | Pick Tire for Trays |
| 40X7178 | MPF Pick Tires and Wear Strip |

| Part # | Installation Service |
|---------|----------------------------------|
| 2353783 | X792 Install, De-Install Service |



Lexmark X792dte

The Lexmark X792dte color multifunction printer combines robust color printing with flexible finishing options, expanded input capacity, productivity solutions and an intuitive color touch screen.

Print Technology

Color Laser

Function

Color Network Scanning, Color Scanning, Color Printing, Color Faxing, Color Copying

Display

Lexmark e-Task 10.2-inch (25.9 cm) color touch screen

Print Speed (Letter, Black)

Up to 50 ppm

Print Speed (Letter, Color)

Up to 50 ppm

Print Speed (Letter, Black) Duplex

Up to 50 ppm

Time to First Page (Black)

As fast as 8 seconds

Time to First Page (Color)

As fast as 8.5 seconds

Copy Speed (Letter, Black)

Up to 50 cpm

Copy Speed (Letter, Color)

Up to 50 cpm

Time to First Copy (Black)

As fast as 10 seconds

Print Resolution, Black

4800 Color Quality (2400 x 600 dpi), 1200 x 1200 dpi

Print Resolution, Color

4800 Color Quality (2400 x 600 dpi), 1200 x 1200 dpi

ADF Scan

DADF (Single Pass Duplex)

Optical Scanning Resolution

600 X 600 ppi

Memory, Standard

1024 MB

Memory, Maximum

2048 MB

Hard Disk

Included in configuration

Expandable Memory Options

Yes

Apple Macintosh Operating Systems Supported

Mac OS X

Linux Operating Systems Supported

Fedora 12, 13, Ubuntu 9.04, 9.10, 10.04, Red Flag Linux Desktop 6.0, openSUSE 11.0, 11.1, SUSE Linux Enterprise Server 10, 11, Debian GNU/Linux 5.0, SUSE Linux Enterprise Desktop 10, 11, Red Hat Enterprise Linux WS 4.0, 5.0, Linpus Linux Desktop 9.6

Microsoft Windows Operating Systems Supported

Server 2008 R2 running Terminal Services, Windows 7 x64, Server 2008 R2, Windows 7, Server 2008 running Terminal Services, Server 2008, Vista, Server 2003 x64, XP, Server 2003, XP x64, Server 2003 running Terminal Services, Server 2003 x64 running Terminal Services, Vista x64, Server 2008 x64, Server 2008 x64 running Terminal Services

Novell Operating Systems Supported

Open Enterprise Server on SUSE Linux Enterprise Server, NetWare 6.5 Open Enterprise Server, NetWare 5.1 (SP 6+), 6.0 (SP 3+) with Novell Distributed Print Services (NDPS)

UNIX Operating Systems Supported

Sun openSolaris X86 2010.02, IBM AIX 5.2, 5.3, 6.1, Sun Solaris x86 10, Sun Solaris SPARC 8, 9, 10, HP-UX 11.11, 11.23, 11.31, Sun openSolaris SPARC 2010.02

Paper Handling Standard

2 x 550-Sheet Drawers, Integrated Duplex, 500-Sheet Output Bin, 100-Sheet Multipurpose Feeder, 550-Sheet Input Tray

Paper Handling Optional

500-Sheet Staple Punch Finisher, 500-Sheet Staple Finisher, 500-Sheet Offset Stacker, 550-Sheet Drawer, 5-Bin Mailbox, Banner Media Tray

Paper Input Capacity, Standard: Up to

1750 pages 20 lb or 75 gsm bond

Paper Input Capacity, Maximum: Up to

2300 pages 20 lb or 75 gsm bond

Paper Output Capacity, Standard: Up to

500 pages 20 lb or 75 gsm bond

Paper Output Capacity, Maximum: Up to

1000 pages 20 lb or 75 gsm bond

ADF Paper Input Capacity

Up to 75 pages 20 lb or 75 gsm bond

Finishing Option

Yes

Number of Paper Inputs, Standard

4

Number of Paper Inputs, Maximum

5

Media Types Supported

Banner Paper, Integrated Labels, Card Stock, Dual Web Labels, Envelopes, Glossy Paper, Paper Labels, Refer to the Card Stock & Label Guide, Transparencies, Polyester Labels, Plain Paper, Vinyl Labels, Outdoor Media

Media Sizes Supported

Universal, Statement, Letter, Legal, DL Envelope, B5 Envelope, A4, 7 3/4 Envelope, 9 Envelope, A5, C5 Envelope, Executive, Folio, JIS-B5

Standard Ports

Ethernet 10/100/1000 BaseTX (RJ-45), Rear USB 2.0 Specification Hi-Speed Certified Port (Type A), USB 2.0 Specification Hi-Speed Certified (Type B), Front USB 2.0 Specification Hi-Speed Certified Port (Type A)

Optional Network Ports

Internal MarkNet™ N8250 802.11b/g/n Wireless, External MarkNet™ N7202e Gigabit Ethernet, Internal MarkNet™ N8120 Gigabit Ethernet, Internal MarkNet™ N8130 Fiber Fast Ethernet

Optional Local Ports

Internal 1284-B Bidirectional Parallel, Internal RS-232C serial

Network Printing Methods

ThinPrint, print integration, LPR/LPD, Direct IP (Port 9100), HTTP, NDPS/NEPS (Novell Distributed Print Services, Novell Netware Enterprise Print Services), Enhanced IP (Port 9400), IPP 1.1 (Internet Printing Protocol), FTP, TFTP

Network Protocol Support

UDP, TCP, TCP/IP IPv6, AppleTalk™, TCP/IP IPv4

Network Security

IPSec, SNMPv3, 802.1x Authentication: MD5, MSCHAPv2, LEAP, PEAP, TLS, TTLS

Printer Languages (Standard)

AirPrint™, Direct Image, Microsoft XPS (XML Paper Specification), PDF 1.6, PostScript 3 Emulation, PCL 6 Emulation, PCL 5c Emulation, Personal Printer Data Stream (PPDS), xHTML

Reduce / Enlarge Range

25 - 400 %

Scan Area, Maximum

216 x 355 mm

Scan Area, Maximum

8.5 x 14 inches

Modem Speed

33.6 Kbps

Supplies Yield

20,000*-page (CMYK) Extra High Yield Print Cartridges, 6,000*-page (CMYK) Print Cartridges

Cartridge(s) Shipping with Product

12,000*-page Black and Color (CMY) Starter Return Program Print Cartridges

Packaged Size (mm - H x W x D)

1439 x 830 x 762 mm

Size (mm - H x W x D)

1204 x 611 x 657 mm

Packaged Size (in. - H x W x D)

56.65 x 32.68 x 30.0 in.

Size (in. - H x W x D)

47.4 x 24.05 x 25.9 in.

Size, Trays Extended (mm - H x W x D)

1204 x 851 x 657 mm

Weight (kg)

112 kg

Size, Trays Extended (in. - H x W x D)

47.4 x 33.5 x 25.9 in.

Weight (lb.)

247 lb.

Noise Level, Idle

27 dBA

Print Noise Level, Operating

52 dBA

Copy Noise Level, Operating

53 dBA

Scan Noise Level, Operating

54 dBA

Product Warranty

1-Year Onsite Service, Next Business Day

Product Certifications

Energy Star, Blue Angel (RAL-UZ-122), EN/IEC 60825-1 (Class 1 Laser Product), CAN/CSA-C22.2 60950-1-07, IECES-003 Class A, BSMI Class A, CNS 13438, VCCI Class A, FCC Class A, UL 60950-1, EN/IEC 60320-1, NOM-019-SCFI-1998, CE Class A, CB IEC 60950-1, EN 60950-1, EN/IEC 61000-3, EN 55022 Class A, EN 55024, GS (TÜV),



SAT, SABS, ZIK, KPSIM, Bel GISS, GOST-R 'Cot' Mark, N Mark, UL AR, CS, TÜV Rh, ACMA A-tick mark Class A, AS/NZS 60950-1, CCC Class A, CISPIR 22 Class A, MIC Mark, EK-K60950, PSB

Maximum Monthly Duty Cycle

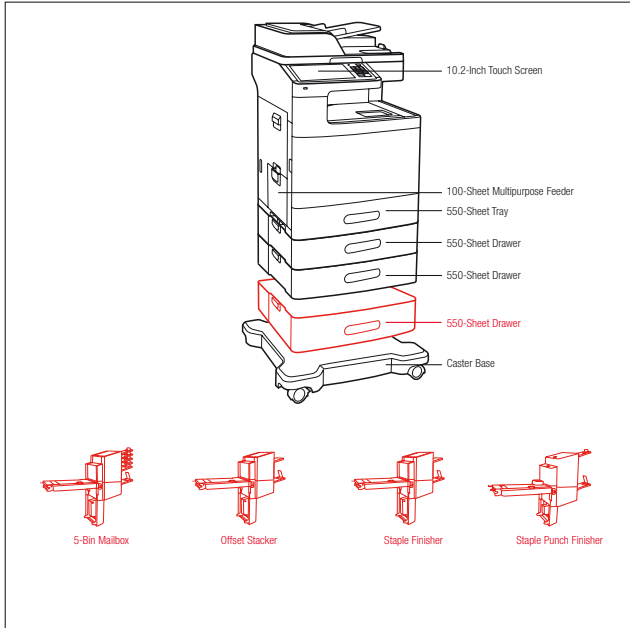
Up to 150000 pages per month

Recommended Monthly Page Volume

2500 - 17000 pages

Specified Operating Environment

Altitude: 0 - 3048 Meters (10,000 Feet), Temperature: 16 to 32°C (60 to 90°F), Humidity: 8 to 80% Relative Humidity



■ Standard
■ Optional

| Part # | Model |
|---------|-----------------|
| 47B1001 | Lexmark X792dte |

| Part # | Laser Toner/Print Cartridge |
|----------|--|
| X792X1KG | X792 Black Extra High Yield Return Program Print Cartridge |
| X792X1CG | X792 Cyan Extra High Yield Return Program Print Cartridge |
| X792X1MG | X792 Magenta Extra High Yield Return Program Print Cartridge |
| X792X1YG | X792 Yellow Extra High Yield Return Program Print Cartridge |
| C792A1KG | C792, X792 Black Return Program Print Cartridge |
| C792A1CG | C792, X792 Cyan Return Program Print Cartridge |
| C792A1MG | C792, X792 Magenta Return Program Print Cartridge |
| C792A1YG | C792, X792 Yellow Return Program Print Cartridge |
| X792X2KG | X792 Black Extra High Yield Print Cartridge |
| X792X2CG | X792 Cyan Extra High Yield Print Cartridge |
| X792X2MG | X792 Magenta Extra High Yield Print Cartridge |
| X792X2YG | X792 Yellow Extra High Yield Print Cartridge |
| C792X77G | C792, X792 Waste Toner Bottle |
| 25A0013 | Staple Cartridges (3 pack) |

| Part # | Paper Handling |
|---------|--|
| 47B0110 | C792, X792 550-Sheet Drawer |
| 47B1101 | C792, X792 5-Bin Mailbox |
| 47B1102 | C792, X792 500-Sheet Offset Stacker |
| 47B1100 | C792, X792 500-Sheet Staple Finisher |
| 47B1103 | C792, X792 500-Sheet Staple, Hole Punch Finisher |
| 47B0112 | C792, X792 Spacer |
| 47B0118 | X792 Banner Media Tray |

| Part # | Memory Options |
|---------|-------------------------------|
| 1025041 | 256MB DDR2-DRAM |
| 1025042 | 512MB DDR2-DRAM |
| 1025043 | 1024MB DDR2-DRAM |
| 14F0245 | 256MB Flash Card |
| 30G0287 | Arabic Font Card |
| 30G0828 | Japanese Font Card |
| 30G0825 | Korean Font Card |
| 30G0826 | Simplified Chinese Font Card |
| 30G0827 | Traditional Chinese Font Card |

| Part # | Application Solutions |
|---------|-----------------------------------|
| 47B1111 | X792 Card for iPDS |
| 47B1110 | X792 Forms and Bar Code Card |
| 47B1112 | X792 Card for PRESCRIBE Emulation |
| 57X9000 | Lexmark PrintCryption Card |

| Part # | Connectivity |
|---------|---|
| 27X0025 | MarkNet N8250 802.11b/g/n Wireless Print Server |
| 14F0037 | MarkNet N8120 Gigabit Ethernet Print Server |
| 14F0042 | MarkNet N8130 Fiber Ethernet 100BaseFX, 10BaseFL Print Server |
| 14T0220 | MarkNet™ N7020e Gigabit Ethernet Print Server |

| | |
|---------|--------------------------------|
| 1021294 | USB Cable (2-meter) |
| 14F0000 | Parallel 1284-B Interface Card |
| 1021231 | Parallel Cable (10-foot) |
| 14F0100 | RS-232C Serial Interface Card |

| Part # | Extended Warranties |
|---------|---|
| 2353776 | X792 2-Years Total Onsite Service, Next Business Day |
| 2353777 | X792 3-Years Total Onsite Service, Next Business Day |
| 2353778 | X792 4-Years Total Onsite Service, Next Business Day |
| 2353779 | X792 5-Years Total Onsite Service, Next Business Day |
| 2353780 | X792 1-Year Onsite Service Renewal, Next Business Day |

| Part # | User Replaceable Parts |
|---------|--|
| 40X7100 | C792, X792 Fuser Maintenance Kit 110-120V |
| 40X7103 | C792, X792 Transfer module Maintenance Kit |
| 40X7220 | X792 ADF Maintenance Kit |

| Part # | Service Parts |
|---------|-------------------------------|
| 40X6104 | Pick Tire for Trays |
| 40X7178 | MPF Pick Tires and Wear Strip |

| Part # | Installation Service |
|---------|----------------------------------|
| 2353783 | X792 Install, De-Install Service |



Lexmark X792dtfe

The Lexmark X792dtfe color multifunction printer offers robust color printing with stapling, offset stacking, expanded input capacity, productivity solutions and an intuitive color touch screen.

Print Technology

Color Laser

Function

Color Network Scanning, Color Scanning, Color Printing, Color Faxing, Color Copying

Display

Lexmark e-Task 10.2-inch (25.9 cm) color touch screen

Print Speed (Letter, Black)

Up to 50 ppm

Print Speed (Letter, Color)

Up to 50 ppm

Print Speed (Letter, Black) Duplex

Up to 50 spm

Time to First Page (Black)

As fast as 8 seconds

Time to First Page (Color)

As fast as 8.5 seconds

Copy Speed (Letter, Black)

Up to 50 cpm

Copy Speed (Letter, Color)

Up to 50 cpm

Time to First Copy (Black)

As fast as 10 seconds

Print Resolution, Black

4800 Color Quality (2400 x 600 dpi), 1200 x 1200 dpi

Print Resolution, Color

4800 Color Quality (2400 x 600 dpi), 1200 x 1200 dpi

ADF Scan

DADF (Single Pass Duplex)

Optical Scanning Resolution

600 X 600 ppi

Memory, Standard

1024 MB

Memory, Maximum

2048 MB

Hard Disk

Included in configuration

Expandable Memory Options

Yes

Apple Macintosh Operating Systems Supported

Mac OS X

Linux Operating Systems Supported

Fedora 12, 13, Ubuntu 9.04, 9.10, 10.04, Red Flag Linux Desktop 6.0, openSUSE 11.0, 11.1, SUSE Linux Enterprise Server 10, 11, Debian GNU/Linux 5.0, SUSE Linux Enterprise Desktop 10, 11, Red Hat Enterprise Linux WS 4.0, 5.0, Linpus Linux Desktop 9.6

Microsoft Windows Operating Systems Supported

Server 2008 R2 running Terminal Services, Windows 7 x64, Server 2008 R2, Windows 7, Server 2008 running Terminal Services, Server 2008, Vista, Server 2003 x64, XP, Server 2003, XP x64, Server 2003 running Terminal Services, Server 2003 x64 running Terminal Services, Vista x64, Server 2008 x64, Server 2008 x64 running Terminal Services

Novell Operating Systems Supported

Open Enterprise Server on SUSE Linux Enterprise Server, NetWare 6.5 Open Enterprise Server, NetWare 5.1 (SP 6+), 6.0 (SP 3+) with Novell Distributed Print Services (NDPS)

UNIX Operating Systems Supported

Sun openSolaris X86 2010.02, IBM AIX 5.2, 5.3, 6.1, Sun Solaris x86 10, Sun Solaris SPARC 8, 9, 10, HP-UX 11.11, 11.23, 11.31, Sun openSolaris SPARC 2010.02

Paper Handling Standard

500-Sheet Staple Finisher, 100-Sheet Multipurpose Feeder, 500-Sheet Output Bin, Integrated Duplex, 550-Sheet Input Tray, 2 x 550-Sheet Drawers

Paper Handling Optional

550-Sheet Drawer

Paper Input Capacity, Standard: Up to

1750 pages 20 lb or 75 gsm bond

Paper Input Capacity, Maximum: Up to

2300 pages 20 lb or 75 gsm bond

Paper Output Capacity, Standard: Up to

1000 pages 20 lb or 75 gsm bond

Paper Output Capacity, Maximum: Up to

1000 pages 20 lb or 75 gsm bond

ADF Paper Input Capacity

Up to 75 pages 20 lb or 75 gsm bond

Finishing Option

Standard

Number of Paper Inputs, Standard

4

Number of Paper Inputs, Maximum

5

Media Types Supported

Outdoor Media, Glossy Paper, Card Stock, Dual Web Labels, Envelopes, Integrated Labels, Vinyl Labels, Polyester Labels, Plain Paper, Paper Labels, Transparencies, Refer to the Card Stock & Label Guide

Media Sizes Supported

Universal, Statement, Letter, Legal, DL Envelope, B5 Envelope, A4, 7 3/4 Envelope, 10 Envelope, 9 Envelope, A5, C5 Envelope, Executive, Folio, JIS-B5

Standard Ports

Ethernet 10/100/1000 BaseTX (RJ-45), USB 2.0 Specification Hi-Speed Certified (Type B), Front USB 2.0 Specification Hi-Speed Certified Port (Type A), Rear USB 2.0 Specification Hi-Speed Certified Port (Type A)

Optional Network Ports

Internal MarkNet™ N8250 802.11b/g/n Wireless, Internal MarkNet™ N8120 Gigabit Ethernet, External MarkNet™ N7020e Gigabit Ethernet, Internal MarkNet™ N8130 Fiber Fast Ethernet

Optional Local Ports

Internal 1284-B Bidirectional Parallel, Internal RS-232C serial

Network Printing Methods

ThinPrint .print integration, LPR/LPD, Direct IP (Port 9100), HTTP, NDPS/NEPS (Novell Distributed Print Services, Novell Network Enterprise Print Services), Enhanced IP (Port 9400), IPP 1.1 (Internet Printing Protocol), FTP, TFTP

Network Protocol Support

UDP, TCP, TCP/IP IPv6, AppleTalk™, TCP/IP IPv4

Network Security

IPSec, SNMPv3, 802.1X Authentication: MD5, MSCHAPv2, LEAP, PEAP, TLS, TTLS

Printer Languages (Standard)

AirPrint™, PDF 1.6, PostScript 3 Emulation, PCL 6 Emulation, PCL 5c Emulation, Personal Printer Data Stream (PPDS), xHTML, Microsoft XPS (XML Paper Specification), Direct Image

Reduce / Enlarge Range

25 - 400 %

Scan Area, Maximum

216 x 355 mm

Scan Area, Maximum

8.5 x 14 inches

Modem Speed

33.6 Kbps

Supplies Yield

20,000*-page (CMYK) Extra High Yield Print Cartridges, 6,000*-page (CMYK) Print Cartridges

Cartridge(s) Shipping with Product

12,000*-page Black and Color (CMY) Starter Return

Program Print Cartridges

Size (mm - H x W x D)

1204 x 1055 x 657 mm

Size (in. - H x W x D)

47.4 x 41.55 x 25.9 in.

Size, Trays Extended (mm - H x W x D)

1204 x 1309 x 657 mm

Weight (kg)

128.4 kg

Size, Trays Extended (in. - H x W x D)

47.4 x 51.55 x 25.9 in.

Weight (lb.)

283 lb.

Noise Level, Idle

27 dBA

Print Noise Level, Operating

52 dBA

Copy Noise Level, Operating

53 dBA

Scan Noise Level, Operating

54 dBA

Product Warranty

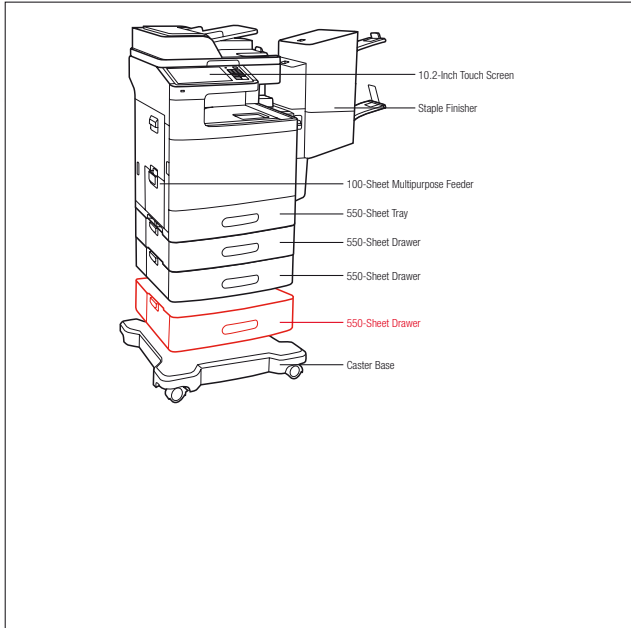
1-Year Onsite Service, Next Business Day

Product Certifications

Energy Star, Blue Angel (RAL-UZ-122), EN/IEC 60825-1 (Class 1 Laser Product), CAN/CSA-C22.2 60950-1-07, ICES-003 Class A, BSMI Class A, CNS 13438, VCCI Class A, FCC Class A, UL 60950-1, EN/IEC 60320-1, NOM-019-SCFI-1998, CE Class A, CB IEC 60950-1, EN 60950-1, EN/IEC 61000-3, EN 55022 Class A, EN 55024, GS (TÜV), SAT, SABS, ZIK, KPSIM, Bel GISS, GOST-R 'Cpt' Mark, N Mark, UL AR, CS, TÜV Rh, ACMA A-tick mark Class A, AS/NZS 60950-1, CCC Class A, CISPIR 22 Class A, MIC Mark, EK-6K0950, PSB

Maximum Monthly Duty Cycle

Up to 150000 pages per month



Standard
 Optional

Recommended Monthly Page Volume

2500 - 17000 pages

Specified Operating Environment

Altitude: 0 - 3048 Meters (10,000 Feet), Temperature: 16 to 32°C (60 to 90°F), Humidity: 8 to 80% Relative Humidity

| Part # | Model |
|---------|------------------|
| 47B1002 | Lexmark X792dffe |

| Part # | Laser Toner/Print Cartridge |
|----------|--|
| X792X1KG | X792 Black Extra High Yield Return Program Print Cartridge |
| X792X1CG | X792 Cyan Extra High Yield Return Program Print Cartridge |
| X792X1MG | X792 Magenta Extra High Yield Return Program Print Cartridge |
| X792X1YG | X792 Yellow Extra High Yield Return Program Print Cartridge |
| C792A1KG | C792, X792 Black Return Program Print Cartridge |
| C792A1CG | C792, X792 Cyan Return Program Print Cartridge |
| C792A1MG | C792, X792 Magenta Return Program Print Cartridge |
| C792A1YG | C792, X792 Yellow Return Program Print Cartridge |
| X792X2KG | X792 Black Extra High Yield Print Cartridge |
| X792X2CG | X792 Cyan Extra High Yield Print Cartridge |
| X792X2MG | X792 Magenta Extra High Yield Print Cartridge |
| X792X2YG | X792 Yellow Extra High Yield Print Cartridge |
| C792X77G | C792, X792 Waste Toner Bottle |
| 25A0013 | Staple Cartridges (3 pack) |

| Part # | Paper Handling |
|---------|-----------------------------|
| 47B0110 | C792, X792 550-Sheet Drawer |
| 47B0112 | C792, X792 Spacer |

| Part # | Memory Options |
|---------|-------------------------------|
| 1025041 | 256MB DDR2-DRAM |
| 1025042 | 512MB DDR2-DRAM |
| 1025043 | 1024MB DDR2-DRAM |
| 14F0245 | 256MB Flash Card |
| 30G0287 | Arabic Font Card |
| 30G0828 | Japanese Font Card |
| 30G0825 | Korean Font Card |
| 30G0826 | Simplified Chinese Font Card |
| 30G0827 | Traditional Chinese Font Card |

| Part # | Application Solutions |
|---------|-----------------------------------|
| 47B1111 | X792 Card for IPDS |
| 47B1110 | X792 Forms and Bar Code Card |
| 47B1112 | X792 Card for PRESCRIBE Emulation |
| 57X9000 | Lexmark PrintCryption Card |

| Part # | Connectivity |
|---------|---|
| 27X0025 | MarkNet N8250 802.11b/g/n Wireless Print Server |
| 14F0037 | MarkNet N8120 Gigabit Ethernet Print Server |
| 14F0042 | MarkNet N8130 Fiber Ethernet 100BaseFX, 10BaseFL Print Server |
| 14T0220 | MarkNet™ N7020e Gigabit Ethernet Print Server |
| 1021294 | USB Cable (2-meter) |
| 14F0000 | Parallel 1284-B Interface Card |
| 1021231 | Parallel Cable (10-foot) |
| 14F0100 | RS-232C Serial Interface Card |

| Part # | Extended Warranties |
|---------|--|
| 2353776 | X792 2-Years Total Onsite Service, Next Business Day |

| | |
|---------|---|
| 2353777 | X792 3-Years Total Onsite Service, Next Business Day |
| 2353778 | X792 4-Years Total Onsite Service, Next Business Day |
| 2353779 | X792 5-Years Total Onsite Service, Next Business Day |
| 2353780 | X792 1-Year Onsite Service Renewal, Next Business Day |

| Part # | User Replaceable Parts |
|---------|--|
| 40X7100 | C792, X792 Fuser Maintenance Kit 110-120V |
| 40X7103 | C792, X792 Transfer module Maintenance Kit |
| 40X7220 | X792 ADF Maintenance Kit |

| Part # | Service Parts |
|---------|-------------------------------|
| 40X6104 | Pick Tire for Trays |
| 40X7178 | MPF Pick Tires and Wear Strip |

| Part # | Installation Service |
|---------|----------------------------------|
| 2353783 | X792 Install, De-Install Service |



Lexmark X792dtmc

The Lexmark X792dtmc color multifunction printer provides robust color printing with a five-bin mailbox, expanded input capacity, productivity solutions and an intuitive touch screen.

Print Technology

Color Laser

Function

Color Network Scanning, Color Scanning, Color Printing, Color Faxing, Color Copying

Display

Lexmark e-Task 10.2-inch (25.9 cm) color touch screen

Print Speed (Letter, Black)

Up to 50 ppm

Print Speed (Letter, Color)

Up to 50 ppm

Print Speed (Letter, Black) Duplex

Up to 50 spm

Time to First Page (Black)

As fast as 8 seconds

Time to First Page (Color)

As fast as 8.5 seconds

Copy Speed (Letter, Black)

Up to 50 cpm

Copy Speed (Letter, Color)

Up to 50 cpm

Time to First Copy (Black)

As fast as 10 seconds

Print Resolution, Black

4800 Color Quality (2400 x 600 dpi), 1200 x 1200 dpi

Print Resolution, Color

4800 Color Quality (2400 x 600 dpi), 1200 x 1200 dpi

ADF Scan

DADF (Single Pass Duplex)

Optical Scanning Resolution

600 X 600 ppi

Memory, Standard

1024 MB

Memory, Maximum

2048 MB

Hard Disk

Included in configuration

Expandable Memory Options

Yes

Apple Macintosh Operating Systems Supported

Mac OS X

Linux Operating Systems Supported

Fedora 12, 13, Ubuntu 9.04, 9.10, 10.04, Red Flag Linux Desktop 6.0, openSUSE 11.0, 11.1, SUSE Linux Enterprise Server 10, 11, Debian GNU/Linux 5.0, SUSE Linux Enterprise Desktop 10, 11, Red Hat Enterprise Linux WS 4.0, 5.0, Linpus Linux Desktop 9.6

Microsoft Windows Operating Systems Supported

Server 2008 R2 running Terminal Services, Windows 7 x64, Server 2008 R2, Windows 7, Server 2008 running Terminal Services, Server 2008, Vista, Server 2003 x64, XP, Server 2003, XP x64, Server 2003 running Terminal Services, Server 2003 x64 running Terminal Services, Vista x64, Server 2008 x64, Server 2008 x64 running Terminal Services

Novell Operating Systems Supported

Open Enterprise Server on SUSE Linux Enterprise Server, NetWare 6.5 Open Enterprise Server, NetWare 5.1 (SP 6+), 6.0 (SP 3+) with Novell Distributed Print Services (NDPS)

UNIX Operating Systems Supported

Sun openSolaris X86 2010.02, IBM AIX 5.2, 5.3, 6.1, Sun Solaris x86 10, Sun Solaris SPARC 8, 9, 10, HP-UX 11.11, 11.23, 11.31, Sun openSolaris SPARC 2010.02

Paper Handling Standard

5-Bin Mailbox, 100-Sheet Multipurpose Feeder, 500-Sheet Output Bin, Integrated Duplex, 550-Sheet Input Tray, 2 x 550-Sheet Drawers

Paper Handling Optional

550-Sheet Drawer

Paper Input Capacity, Standard: Up to

1750 pages 20 lb or 75 gsm bond

Paper Input Capacity, Maximum: Up to

2300 pages 20 lb or 75 gsm bond

Paper Output Capacity, Standard: Up to

1000 pages 20 lb or 75 gsm bond

Paper Output Capacity, Maximum: Up to

1000 pages 20 lb or 75 gsm bond

ADF Paper Input Capacity

Up to 75 pages 20 lb or 75 gsm bond

Finishing Option

Standard

Number of Paper Inputs, Standard

4

Number of Paper Inputs, Maximum

5

Media Types Supported

Outdoor Media, Glossy Paper, Card Stock, Dual Web Labels, Envelopes, Integrated Labels, Vinyl Labels, Polyester Labels, Plain Paper, Paper Labels, Transparencies, Refer to the Card Stock & Label Guide

Media Sizes Supported

Universal, Statement, Letter, Legal, DL Envelope, B5 Envelope, A4, 7 3/4 Envelope, 9 Envelope, A5, C5 Envelope, Executive, Folio, JIS-B5

Standard Ports

Ethernet 10/100/1000 BaseTX (RJ-45), USB 2.0 Specification Hi-Speed Certified (Type B), Front USB 2.0 Specification Hi-Speed Certified Port (Type A), Rear USB 2.0 Specification Hi-Speed Certified Port (Type A)

Optional Network Ports

Internal MarkNet™ N8250 802.11b/g/n Wireless, Internal MarkNet™ N8120 Gigabit Ethernet, External MarkNet™ N7020e Gigabit Ethernet, Internal MarkNet™ N8130 Fiber Fast Ethernet

Optional Local Ports

Internal 1284-B Bidirectional Parallel, Internal RS-232C serial

Network Printing Methods

ThinPrint .print integration, LPR/LPD, Direct IP (Port 9100), HTTP, NDPS/NEPS (Novell Distributed Print Services, Novell Netware Enterprise Print Services), Enhanced IP (Port 9400), IPP 1.1 (Internet Printing Protocol), FTP, TFTP

Network Protocol Support

UDP, TCP, TCP/IP IPv6, AppleTalk™, TCP/IP IPv4

Network Security

IPSec, SNMPv3, 802.1X Authentication: MD5, MSCHAPv2, LEAP, PEAP, TLS, TTLS

Printer Languages (Standard)

AirPrint™, PDF 1.6, PostScript 3 Emulation, PCL 6 Emulation, PCL 5c Emulation, Personal Printer Data Stream (PPDS), xHTML, Microsoft XPS (XML Paper Specification), Direct Image

Reduce / Enlarge Range

25 - 400 %

Scan Area, Maximum

216 x 355 mm

Scan Area, Maximum

8.5 x 14 inches

Modem Speed

33.6 Kbps

Supplies Yield

20,000*-page (CMYK) Extra High Yield Print Cartridges, 6,000*-page (CMYK) Print Cartridges

Cartridge(s) Shipping with Product

12,000*-page Black and Color (CMY) Starter Return Program Print Cartridges

Size (mm - H x W x D)

1204 x 1055 x 657 mm

Size (in. - H x W x D)

47.4 x 41.55 x 25.9 in.

Size, Trays Extended (mm - H x W x D)

1204 x 1309 x 657 mm

Weight (kg)

126.6 kg

Size, Trays Extended (in. - H x W x D)

47.4 x 51.55 x 25.9 in.

Weight (lb.)

279 lb.

Noise Level, Idle

27 dBA

Print Noise Level, Operating

52 dBA

Copy Noise Level, Operating

53 dBA

Scan Noise Level, Operating

54 dBA

Product Warranty

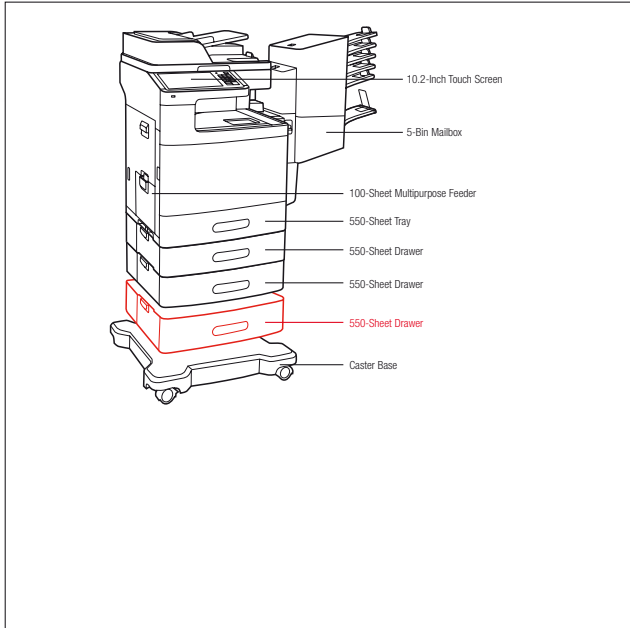
1-Year Onsite Service, Next Business Day

Product Certifications

Energy Star, Blue Angel (RAL-UZ-122), EN/IEC 60825-1 (Class 1 Laser Product), CAN/CSA-C22.2 60950-1-07, ICES-003 Class A, BSMI Class A, CNS 13438, VCCI Class A, FCC Class A, UL 60950-1, EN/IEC 60320-1, NOM-019-SCFI-1998, CE Class A, CB IEC 60950-1, EN 60950-1, EN/IEC 61000-3, EN 55022 Class A, EN 55024, GS (TÜV), SAT, SABS, ZIK, KPSIM, Bel GISS, GOST-R 'Cpt' Mark, N Mark, UL AR, CS, TÜV Rh, ACMA A-tick mark Class A, AS/NZS 60950-1, CCC Class A, CISPIR 22 Class A, MIC Mark, EK-6K0950, PSB

Maximum Monthly Duty Cycle

Up to 150000 pages per month



Standard
 Optional

Recommended Monthly Page Volume

2500 - 17000 pages

Specified Operating Environment

Altitude: 0 - 3048 Meters (10,000 Feet), Temperature: 16 to 32°C (60 to 90°F), Humidity: 8 to 80% Relative Humidity

| Part # | Model |
|---------|------------------|
| 47B1121 | Lexmark X792dfme |

| Part # | Laser Toner/Print Cartridge |
|----------|--|
| X792X1KG | X792 Black Extra High Yield Return Program Print Cartridge |
| X792X1CG | X792 Cyan Extra High Yield Return Program Print Cartridge |
| X792X1MG | X792 Magenta Extra High Yield Return Program Print Cartridge |
| X792X1YG | X792 Yellow Extra High Yield Return Program Print Cartridge |
| C792A1KG | C792, X792 Black Return Program Print Cartridge |
| C792A1CG | C792, X792 Cyan Return Program Print Cartridge |
| C792A1MG | C792, X792 Magenta Return Program Print Cartridge |
| C792A1YG | C792, X792 Yellow Return Program Print Cartridge |
| X792X2KG | X792 Black Extra High Yield Print Cartridge |
| X792X2CG | X792 Cyan Extra High Yield Print Cartridge |
| X792X2MG | X792 Magenta Extra High Yield Print Cartridge |
| X792X2YG | X792 Yellow Extra High Yield Print Cartridge |
| C792X77G | C792, X792 Waste Toner Bottle |
| 25A0013 | Staple Cartridges (3 pack) |

| Part # | Paper Handling |
|---------|-----------------------------|
| 47B0110 | C792, X792 550-Sheet Drawer |
| 47B0112 | C792, X792 Spacer |

| Part # | Memory Options |
|---------|-------------------------------|
| 1025041 | 256MB DDR2-DRAM |
| 1025042 | 512MB DDR2-DRAM |
| 1025043 | 1024MB DDR2-DRAM |
| 14F0245 | 256MB Flash Card |
| 30G0287 | Arabic Font Card |
| 30G0828 | Japanese Font Card |
| 30G0825 | Korean Font Card |
| 30G0826 | Simplified Chinese Font Card |
| 30G0827 | Traditional Chinese Font Card |

| Part # | Application Solutions |
|---------|-----------------------------------|
| 47B1111 | X792 Card for IPDS |
| 47B1110 | X792 Forms and Bar Code Card |
| 47B1112 | X792 Card for PRESCRIBE Emulation |
| 57X9000 | Lexmark PrintCryption Card |

| Part # | Connectivity |
|---------|---|
| 27X0025 | MarkNet N8250 802.11b/g/n Wireless Print Server |
| 14F0037 | MarkNet N8120 Gigabit Ethernet Print Server |
| 14F0042 | MarkNet N8130 Fiber Ethernet 100BaseFX, 10BaseFL Print Server |
| 14T0220 | MarkNet™ N7020e Gigabit Ethernet Print Server |
| 1021294 | USB Cable (2-meter) |
| 14F0000 | Parallel 1284-B Interface Card |
| 1021231 | Parallel Cable (10-foot) |
| 14F0100 | RS-232C Serial Interface Card |

| Part # | Extended Warranties |
|---------|--|
| 2353776 | X792 2-Years Total Onsite Service, Next Business Day |

| | |
|---------|---|
| 2353777 | X792 3-Years Total Onsite Service, Next Business Day |
| 2353778 | X792 4-Years Total Onsite Service, Next Business Day |
| 2353779 | X792 5-Years Total Onsite Service, Next Business Day |
| 2353780 | X792 1-Year Onsite Service Renewal, Next Business Day |

| Part # | User Replaceable Parts |
|---------|--|
| 40X7100 | C792, X792 Fuser Maintenance Kit 110-120V |
| 40X7103 | C792, X792 Transfer module Maintenance Kit |
| 40X7220 | X792 ADF Maintenance Kit |

| Part # | Service Parts |
|---------|-------------------------------|
| 40X6104 | Pick Tire for Trays |
| 40X7178 | MPF Pick Tires and Wear Strip |

| Part # | Installation Service |
|---------|----------------------------------|
| 2353783 | X792 Install, De-Install Service |



Lexmark X792dtp

The Lexmark X792dtp color multifunction printer offers robust color printing with stapling, hole punch, expanded input capacity, productivity solutions and an intuitive color touch screen.

Print Technology

Color Laser

Function

Color Network Scanning, Color Scanning, Color Printing, Color Faxing, Color Copying

Display

Lexmark e-Task 10.2-inch (25.9 cm) color touch screen

Print Speed (Letter, Black)

Up to 50 ppm

Print Speed (Letter, Color)

Up to 50 ppm

Print Speed (Letter, Black) Duplex

Up to 50 ppm

Time to First Page (Black)

As fast as 8 seconds

Time to First Page (Color)

As fast as 8.5 seconds

Copy Speed (Letter, Black)

Up to 50 cpm

Copy Speed (Letter, Color)

Up to 50 cpm

Time to First Copy (Black)

As fast as 10 seconds

Print Resolution, Black

4800 Color Quality (2400 x 600 dpi), 1200 x 1200 dpi

Print Resolution, Color

4800 Color Quality (2400 x 600 dpi), 1200 x 1200 dpi

ADF Scan

DADF (Single Pass Duplex)

Optical Scanning Resolution

600 X 600 ppi

Memory, Standard

1024 MB

Memory, Maximum

2048 MB

Hard Disk

Included in configuration

Expandable Memory Options

Yes

Apple Macintosh Operating Systems Supported

Mac OS X

Linux Operating Systems Supported

Fedora 12, 13, Ubuntu 9.04, 9.10, 10.04, Red Flag Linux Desktop 6.0, openSUSE 11.0, 11.1, SUSE Linux Enterprise Server 10, 11, Debian GNU/Linux 5.0, SUSE Linux Enterprise Desktop 10, 11, Red Hat Enterprise Linux WS 4.0, 5.0, Linpus Linux Desktop 9.6

Microsoft Windows Operating Systems Supported

Server 2008 R2 running Terminal Services, Windows 7 x64, Server 2008 R2, Windows 7, Server 2008 running Terminal Services, Server 2008, Vista, Server 2003 x64, XP, Server 2003, XP x64, Server 2003 running Terminal Services, Server 2003 x64 running Terminal Services, Vista x64, Server 2008 x64, Server 2008 x64 running Terminal Services

Novell Operating Systems Supported

Open Enterprise Server on SUSE Linux Enterprise Server, NetWare 6.5 Open Enterprise Server, NetWare 5.1 (SP 6+), 6.0 (SP 3+) with Novell Distributed Print Services (NDPS)

UNIX Operating Systems Supported

Sun openSolaris X86 2010.02, IBM AIX 5.2, 5.3, 6.1, Sun Solaris x86 10, Sun Solaris SPARC 8, 9, 10, HP-UX 11.11, 11.23, 11.31, Sun openSolaris SPARC 2010.02

Paper Handling Standard

500-Sheet Staple Punch Finisher, 100-Sheet Multipurpose Feeder, 500-Sheet Output Bin, Integrated Duplex, 550-Sheet Input Tray, 2 x 550-Sheet Drawers

Paper Handling Optional

550-Sheet Drawer

Paper Input Capacity, Standard: Up to

1750 pages 20 lb or 75 gsm bond

Paper Input Capacity, Maximum: Up to

2300 pages 20 lb or 75 gsm bond

Paper Output Capacity, Standard: Up to

1000 pages 20 lb or 75 gsm bond

Paper Output Capacity, Maximum: Up to

1000 pages 20 lb or 75 gsm bond

ADF Paper Input Capacity

Up to 75 pages 20 lb or 75 gsm bond

Finishing Option

Standard

Number of Paper Inputs, Standard

4

Number of Paper Inputs, Maximum

5

Media Types Supported

Outdoor Media, Glossy Paper, Card Stock, Dual Web Labels, Envelopes, Integrated Labels, Vinyl Labels, Polyester Labels, Plain Paper, Paper Labels, Transparencies, Refer to the Card Stock & Label Guide

Media Sizes Supported

Universal, Statement, Letter, Legal, DL Envelope, B5 Envelope, A4, 7 3/4 Envelope, 9 Envelope, A5, C5 Envelope, Executive, Folio, JIS-B5

Standard Ports

Ethernet 10/100/1000 BaseTX (RJ-45), USB 2.0 Specification Hi-Speed Certified (Type B), Front USB 2.0 Specification Hi-Speed Certified Port (Type A), Rear USB 2.0 Specification Hi-Speed Certified Port (Type A)

Optional Network Ports

Internal MarkNet™ N8250 802.11b/g/n Wireless, Internal MarkNet™ N8120 Gigabit Ethernet, External MarkNet™ N7020e Gigabit Ethernet, Internal MarkNet™ N8130 Fiber Fast Ethernet

Optional Local Ports

Internal 1284-B Bidirectional Parallel, Internal RS-232C serial

Network Printing Methods

ThinPrint .print integration, LPR/LPD, Direct IP (Port 9100), HTTP, NDPS/NEPS (Novell Distributed Print Services, Novell Netware Enterprise Print Services), Enhanced IP (Port 9400), IPP 1.1 (Internet Printing Protocol), FTP, TFTP

Network Protocol Support

UDP, TCP, TCP/IP IPv6, AppleTalk™, TCP/IP IPv4

Network Security

IPSec, SNMPv3, 802.1X Authentication: MD5, MSCHAPv2, LEAP, PEAP, TLS, TTLS

Printer Languages (Standard)

AirPrint™, PDF 1.6, PostScript 3 Emulation, PCL 6 Emulation, PCL 5c Emulation, Personal Printer Data Stream (PPDS), xHTML, Microsoft XPS (XML Paper Specification), Direct Image

Reduce / Enlarge Range

25 - 400 %

Scan Area, Maximum

216 x 355 mm

Scan Area, Maximum

8.5 x 14 inches

Modem Speed

33.6 Kbps

Supplies Yield

20,000*-page (CMYK) Extra High Yield Print Cartridges, 6,000*-page (CMYK) Print Cartridges

Cartridge(s) Shipping with Product

12,000*-page Black and Color (CMY) Starter Return Program Print Cartridges

Size (mm - H x W x D)

1204 x 1055 x 657 mm

Size (in. - H x W x D)

47.4 x 41.55 x 25.9 in.

Size, Trays Extended (mm - H x W x D)

1204 x 1309 x 657 mm

Weight (kg)

129.3 kg

Size, Trays Extended (in. - H x W x D)

47.4 x 51.55 x 25.9 in.

Weight (lb.)

285 lb.

Noise Level, Idle

27 dBA

Print Noise Level, Operating

52 dBA

Copy Noise Level, Operating

53 dBA

Scan Noise Level, Operating

54 dBA

Product Warranty

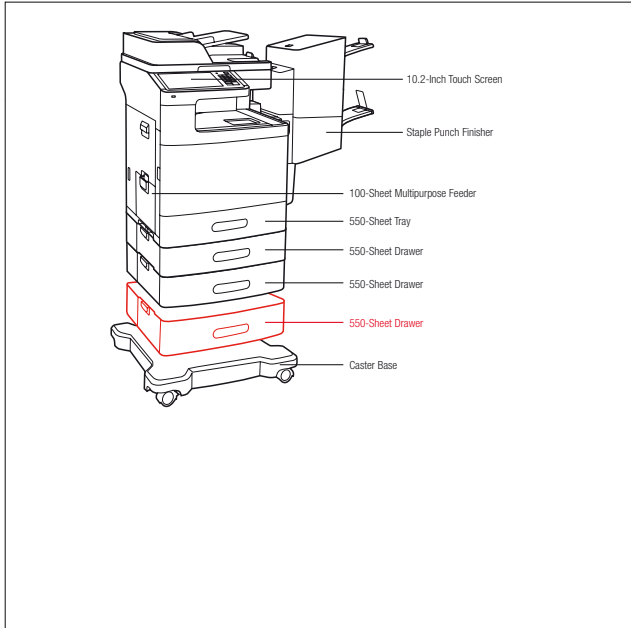
1-Year Onsite Service, Next Business Day

Product Certifications

Energy Star, Blue Angel (RAL-UZ-122), EN/IEC 60825-1 (Class 1 Laser Product), CAN/CSA-C22.2 60950-1-07, IECES-003 Class A, BSMI Class A, CNS 13438, VCCI Class A, FCC Class A, UL 60950-1, EN/IEC 60320-1, NOM-019-SCFI-1998, CE Class A, CB IEC 60950-1, EN 60950-1, EN/IEC 61000-3, EN 55022 Class A, EN 55024, GS (TÜV), SAT, SABS, ZIK, KPSIM, Bel GISS, GOST-R 'Cpt' Mark, N Mark, UL AR, CS, TÜV Rh, ACMA A-tick mark Class A, AS/NZS 60950-1, CCC Class A, CISPIR 22 Class A, MIC Mark, EK-6K0950, PSB

Maximum Monthly Duty Cycle

Up to 150000 pages per month



Standard
 Optional

Recommended Monthly Page Volume

2500 - 17000 pages

Specified Operating Environment

Altitude: 0 - 3048 Meters (10,000 Feet), Temperature: 16 to 32°C (60 to 90°F), Humidity: 8 to 80% Relative Humidity

| Part # | Model |
|---------|------------------|
| 47B1120 | Lexmark X792d1pe |

| Part # | Laser Toner/Print Cartridge |
|----------|--|
| X792X1KG | X792 Black Extra High Yield Return Program Print Cartridge |
| X792X1CG | X792 Cyan Extra High Yield Return Program Print Cartridge |
| X792X1MG | X792 Magenta Extra High Yield Return Program Print Cartridge |
| X792X1YG | X792 Yellow Extra High Yield Return Program Print Cartridge |
| C792A1KG | C792, X792 Black Return Program Print Cartridge |
| C792A1CG | C792, X792 Cyan Return Program Print Cartridge |
| C792A1MG | C792, X792 Magenta Return Program Print Cartridge |
| C792A1YG | C792, X792 Yellow Return Program Print Cartridge |
| X792X2KG | X792 Black Extra High Yield Print Cartridge |
| X792X2CG | X792 Cyan Extra High Yield Print Cartridge |
| X792X2MG | X792 Magenta Extra High Yield Print Cartridge |
| X792X2YG | X792 Yellow Extra High Yield Print Cartridge |
| C792X77G | C792, X792 Waste Toner Bottle |
| 25A0013 | Staple Cartridges (3 pack) |

| Part # | Paper Handling |
|---------|-----------------------------|
| 47B0110 | C792, X792 550-Sheet Drawer |
| 47B0112 | C792, X792 Spacer |

| Part # | Memory Options |
|---------|-------------------------------|
| 1025041 | 256MB DDR2-DRAM |
| 1025042 | 512MB DDR2-DRAM |
| 1025043 | 1024MB DDR2-DRAM |
| 14F0245 | 256MB Flash Card |
| 30G0287 | Arabic Font Card |
| 30G0828 | Japanese Font Card |
| 30G0825 | Korean Font Card |
| 30G0826 | Simplified Chinese Font Card |
| 30G0827 | Traditional Chinese Font Card |

| Part # | Application Solutions |
|---------|-----------------------------------|
| 47B1111 | X792 Card for IPDS |
| 47B1110 | X792 Forms and Bar Code Card |
| 47B1112 | X792 Card for PRESCRIBE Emulation |
| 57X9000 | Lexmark PrintCryption Card |

| Part # | Connectivity |
|---------|---|
| 27X0025 | MarkNet N8250 802.11b/g/n Wireless Print Server |
| 14F0037 | MarkNet N8120 Gigabit Ethernet Print Server |
| 14F0042 | MarkNet N8130 Fiber Ethernet 100BaseFX, 10BaseFL Print Server |
| 14T0220 | MarkNet™ N7020e Gigabit Ethernet Print Server |
| 1021294 | USB Cable (2-meter) |
| 14F0000 | Parallel 1284-B Interface Card |
| 1021231 | Parallel Cable (10-foot) |
| 14F0100 | RS-232C Serial Interface Card |

| Part # | Extended Warranties |
|---------|--|
| 2353776 | X792 2-Years Total Onsite Service, Next Business Day |

| | |
|---------|---|
| 2353777 | X792 3-Years Total Onsite Service, Next Business Day |
| 2353778 | X792 4-Years Total Onsite Service, Next Business Day |
| 2353779 | X792 5-Years Total Onsite Service, Next Business Day |
| 2353780 | X792 1-Year Onsite Service Renewal, Next Business Day |

| Part # | User Replaceable Parts |
|---------|--|
| 40X7100 | C792, X792 Fuser Maintenance Kit 110-120V |
| 40X7103 | C792, X792 Transfer module Maintenance Kit |
| 40X7220 | X792 ADF Maintenance Kit |

| Part # | Service Parts |
|---------|-------------------------------|
| 40X6104 | Pick Tire for Trays |
| 40X7178 | MPF Pick Tires and Wear Strip |

| Part # | Installation Service |
|---------|----------------------------------|
| 2353783 | X792 Install, De-Install Service |



Lexmark X792dtse

The Lexmark X792dtse color multifunction printer offers robust color printing with offset stacking, expanded input capacity, productivity solutions and an intuitive color touch screen.

Print Technology

Color Laser

Function

Color Network Scanning, Color Scanning, Color Printing, Color Faxing, Color Copying

Display

Lexmark e-Task 10.2-inch (25.9 cm) color touch screen

Print Speed (Letter, Black)

Up to 50 ppm

Print Speed (Letter, Color)

Up to 50 ppm

Print Speed (Letter, Black) Duplex

Up to 50 ppm

Time to First Page (Black)

As fast as 8 seconds

Time to First Page (Color)

As fast as 8.5 seconds

Copy Speed (Letter, Black)

Up to 50 cpm

Copy Speed (Letter, Color)

Up to 50 cpm

Time to First Copy (Black)

As fast as 10 seconds

Print Resolution, Black

4800 Color Quality (2400 x 600 dpi), 1200 x 1200 dpi

Print Resolution, Color

4800 Color Quality (2400 x 600 dpi), 1200 x 1200 dpi

ADF Scan

DADF (Single Pass Duplex)

Optical Scanning Resolution

600 X 600 ppi

Memory, Standard

1024 MB

Memory, Maximum

2048 MB

Hard Disk

Included in configuration

Expandable Memory Options

Yes

Apple Macintosh Operating Systems Supported

Mac OS X

Linux Operating Systems Supported

Fedora 12, 13, Ubuntu 9.04, 9.10, 10.04, Red Flag Linux Desktop 6.0, openSUSE 11.0, 11.1, SUSE Linux Enterprise Server 10, 11, Debian GNU/Linux 5.0, SUSE Linux Enterprise Desktop 10, 11, Red Hat Enterprise Linux WS 4.0, 5.0, Linpus Linux Desktop 9.6

Microsoft Windows Operating Systems Supported

Server 2008 R2 running Terminal Services, Windows 7 x64, Server 2008 R2, Windows 7, Server 2008 running Terminal Services, Server 2008, Vista, Server 2003 x64, XP, Server 2003, XP x64, Server 2003 running Terminal Services, Server 2003 x64 running Terminal Services, Vista x64, Server 2008 x64, Server 2008 x64 running Terminal Services

Novell Operating Systems Supported

Open Enterprise Server on SUSE Linux Enterprise Server, NetWare 6.5 Open Enterprise Server, NetWare 5.1 (SP 6+), 6.0 (SP 3+) with Novell Distributed Print Services (NDPS)

UNIX Operating Systems Supported

Sun openSolaris X86 2010.02, IBM AIX 5.2, 5.3, 6.1, Sun Solaris x86 10, Sun Solaris SPARC 8, 9, 10, HP-UX 11.11, 11.23, 11.31, Sun openSolaris SPARC 2010.02

Paper Handling Standard

500-Sheet Offset Stacker, 100-Sheet Multipurpose Feeder, 500-Sheet Output Bin, Integrated Duplex, 550-Sheet Input Tray, 2 x 550-Sheet Drawers

Paper Handling Optional

550-Sheet Drawer

Paper Input Capacity, Standard: Up to

1750 pages 20 lb or 75 gsm bond

Paper Input Capacity, Maximum: Up to

2300 pages 20 lb or 75 gsm bond

Paper Output Capacity, Standard: Up to

1000 pages 20 lb or 75 gsm bond

Paper Output Capacity, Maximum: Up to

1000 pages 20 lb or 75 gsm bond

ADF Paper Input Capacity

Up to 75 pages 20 lb or 75 gsm bond

Finishing Option

Standard

Number of Paper Inputs, Standard

4

Number of Paper Inputs, Maximum

5

Media Types Supported

Outdoor Media, Glossy Paper, Card Stock, Dual Web Labels, Envelopes, Integrated Labels, Vinyl Labels, Polyester Labels, Plain Paper, Paper Labels, Transparencies, Refer to the Card Stock & Label Guide

Media Sizes Supported

Universal, Statement, Letter, Legal, DL Envelope, B5 Envelope, A4, 7 3/4 Envelope, 9 Envelope, A5, C5 Envelope, Executive, Folio, JIS-B5

Standard Ports

Ethernet 10/100/1000 BaseTX (RJ-45), USB 2.0 Specification Hi-Speed Certified (Type B), Front USB 2.0 Specification Hi-Speed Certified Port (Type A), Rear USB 2.0 Specification Hi-Speed Certified Port (Type A)

Optional Network Ports

Internal MarkNet™ N8250 802.11b/g/n Wireless, Internal MarkNet™ N8120 Gigabit Ethernet, External MarkNet™ N7020e Gigabit Ethernet, Internal MarkNet™ N8130 Fiber Fast Ethernet

Optional Local Ports

Internal 1284-B Bidirectional Parallel, Internal RS-232C serial

Network Printing Methods

ThinPrint .print integration, LPR/LPD, Direct IP (Port 9100), HTTP, NDPS/NEPS (Novell Distributed Print Services, Novell Network Enterprise Print Services), Enhanced IP (Port 9400), IPP 1.1 (Internet Printing Protocol), FTP, TFTP

Network Protocol Support

UDP, TCP, TCP/IP IPv6, AppleTalk™, TCP/IP IPv4

Network Security

IPSec, SNMPv3, 802.1X Authentication: MD5, MSCHAPv2, LEAP, PEAP, TLS, TTLS

Printer Languages (Standard)

AirPrint™, PDF 1.6, PostScript 3 Emulation, PCL 6 Emulation, PCL 5c Emulation, Personal Printer Data Stream (PPDS), xHTML, Microsoft XPS (XML Paper Specification), Direct Image

Reduce / Enlarge Range

25 - 400 %

Scan Area, Maximum

216 x 355 mm

Scan Area, Maximum

8.5 x 14 inches

Modem Speed

33.6 Kbps

Supplies Yield

20,000*-page (CMYK) Extra High Yield Print Cartridges, 6,000*-page (CMYK) Print Cartridges

Cartridge(s) Shipping with Product

12,000*-page Black and Color (CMY) Starter Return

Program Print Cartridges

Size (mm - H x W x D)

1204 x 1055 x 657 mm

Size (in. - H x W x D)

47.4 x 41.55 x 25.9 in.

Size, Trays Extended (mm - H x W x D)

1204 x 1309 x 657 mm

Weight (kg)

127.5 kg

Size, Trays Extended (in. - H x W x D)

47.4 x 51.55 x 25.9 in.

Weight (lb.)

281 lb.

Noise Level, Idle

27 dBA

Print Noise Level, Operating

52 dBA

Copy Noise Level, Operating

53 dBA

Scan Noise Level, Operating

54 dBA

Product Warranty

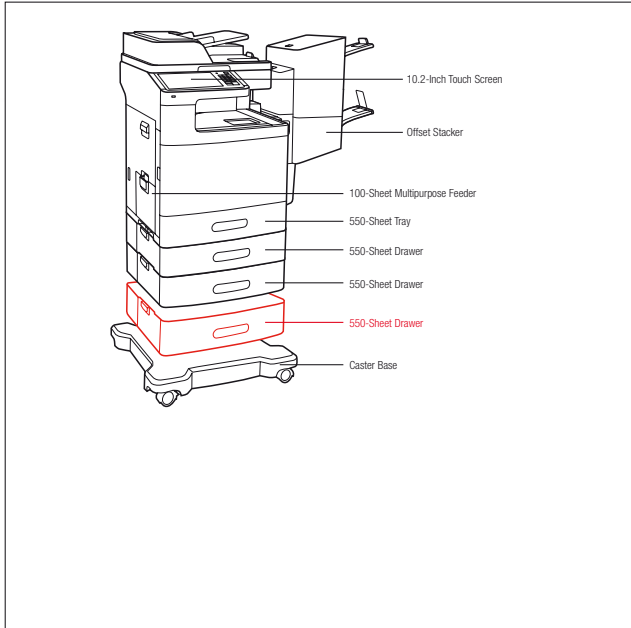
1-Year Onsite Service, Next Business Day

Product Certifications

Energy Star, Blue Angel (RAL-UZ-122), EN/IEC 60825-1 (Class 1 Laser Product), CAN/CSA-C22.2 60950-1-07, ICES-003 Class A, BSMI Class A, CNS 13438, VCCI Class A, FCC Class A, UL 60950-1, EN/IEC 60320-1, NOM-019-SCFI-1998, CE Class A, CB IEC 60950-1, EN 60950-1, EN/IEC 61000-3, EN 55022 Class A, EN 55024, GS (TÜV), SAT, SABS, ZIK, KPSIM, Bel GISS, GOST-R 'Cpt' Mark, N Mark, UL AR, CS, TÜV Rh, ACMA A-tick mark Class A, AS/NZS 60950-1, CCC Class A, CISPR 22 Class A, MIC Mark, EK-6K0950, PSB

Maximum Monthly Duty Cycle

Up to 150000 pages per month



Standard
 Optional

Recommended Monthly Page Volume

2500 - 17000 pages

Specified Operating Environment

Altitude: 0 - 3048 Meters (10,000 Feet), Temperature: 16 to 32°C (60 to 90°F), Humidity: 8 to 80% Relative Humidity

| Part # | Model |
|---------|------------------|
| 47B1122 | Lexmark X792dlse |

| Part # | Laser Toner/Print Cartridge |
|----------|--|
| X792X1KG | X792 Black Extra High Yield Return Program Print Cartridge |
| X792X1CG | X792 Cyan Extra High Yield Return Program Print Cartridge |
| X792X1MG | X792 Magenta Extra High Yield Return Program Print Cartridge |
| X792X1YG | X792 Yellow Extra High Yield Return Program Print Cartridge |
| C792A1KG | C792, X792 Black Return Program Print Cartridge |
| C792A1CG | C792, X792 Cyan Return Program Print Cartridge |
| C792A1MG | C792, X792 Magenta Return Program Print Cartridge |
| C792A1YG | C792, X792 Yellow Return Program Print Cartridge |
| X792X2KG | X792 Black Extra High Yield Print Cartridge |
| X792X2CG | X792 Cyan Extra High Yield Print Cartridge |
| X792X2MG | X792 Magenta Extra High Yield Print Cartridge |
| X792X2YG | X792 Yellow Extra High Yield Print Cartridge |
| C792X77G | C792, X792 Waste Toner Bottle |
| 25A0013 | Staple Cartridges (3 pack) |

| Part # | Paper Handling |
|---------|-----------------------------|
| 47B0110 | C792, X792 550-Sheet Drawer |
| 47B0112 | C792, X792 Spacer |

| Part # | Memory Options |
|---------|-------------------------------|
| 1025041 | 256MB DDR2-DRAM |
| 1025042 | 512MB DDR2-DRAM |
| 1025043 | 1024MB DDR2-DRAM |
| 14F0245 | 256MB Flash Card |
| 30G0287 | Arabic Font Card |
| 30G0828 | Japanese Font Card |
| 30G0825 | Korean Font Card |
| 30G0826 | Simplified Chinese Font Card |
| 30G0827 | Traditional Chinese Font Card |

| Part # | Application Solutions |
|---------|-----------------------------------|
| 47B1111 | X792 Card for IPDS |
| 47B1110 | X792 Forms and Bar Code Card |
| 47B1112 | X792 Card for PRESCRIBE Emulation |
| 57X9000 | Lexmark PrintCryption Card |

| Part # | Connectivity |
|---------|---|
| 27X0025 | MarkNet N8250 802.11b/g/n Wireless Print Server |
| 14F0037 | MarkNet N8120 Gigabit Ethernet Print Server |
| 14F0042 | MarkNet N8130 Fiber Ethernet 100BaseFX, 10BaseFL Print Server |
| 14T0220 | MarkNet™ N7020e Gigabit Ethernet Print Server |
| 1021294 | USB Cable (2-meter) |
| 14F0000 | Parallel 1284-B Interface Card |
| 1021231 | Parallel Cable (10-foot) |
| 14F0100 | RS-232C Serial Interface Card |

| Part # | Extended Warranties |
|---------|--|
| 2353776 | X792 2-Years Total Onsite Service, Next Business Day |

| | |
|---------|---|
| 2353777 | X792 3-Years Total Onsite Service, Next Business Day |
| 2353778 | X792 4-Years Total Onsite Service, Next Business Day |
| 2353779 | X792 5-Years Total Onsite Service, Next Business Day |
| 2353780 | X792 1-Year Onsite Service Renewal, Next Business Day |

| Part # | User Replaceable Parts |
|---------|--|
| 40X7100 | C792, X792 Fuser Maintenance Kit 110-120V |
| 40X7103 | C792, X792 Transfer module Maintenance Kit |
| 40X7220 | X792 ADF Maintenance Kit |

| Part # | Service Parts |
|---------|-------------------------------|
| 40X6104 | Pick Tire for Trays |
| 40X7178 | MPF Pick Tires and Wear Strip |

| Part # | Installation Service |
|---------|----------------------------------|
| 2353783 | X792 Install, De-Install Service |



Lexmark X925de

The Lexmark X925de color MFP delivers affordable A3 and color functionality for your busy workgroup through easy-to-use features, productivity solutions and a compact design.

Print Technology

Color LED

Function

Color Network Scanning, Color Scanning, Color Printing, Color Faxing, Color Copying

Display

Lexmark e-Task 10.2-inch (25.9 cm) color touch screen

Print Speed (Letter, Black)

Up to 30 ppm

Print Speed (Letter, Color)

Up to 30 ppm

Print Speed (Letter, Black) Duplex

Up to 26 ppm

Time to First Page (Black)

As fast as 9 seconds

Time to First Page (Color)

As fast as 11 seconds

Copy Speed (Letter, Black)

Up to 30 cpm

Copy Speed (Letter, Color)

Up to 30 cpm

Time to First Copy (Black)

As fast as 17 seconds

Print Resolution, Black

600 x 600 dpi, 1200 Image Quality

Print Resolution, Color

600 x 600 dpi, 1200 Image Quality

ADF Scan

RADF (Reversing Duplex)

Optical Scanning Resolution

600 x 600 ppi

Processor

900 MHz

Memory, Standard

512 MB

Memory, Maximum

1536 MB

Hard Disk

Included in configuration

Expandable Memory Options

Yes

Apple Macintosh Operating Systems Supported

Mac OS X

Linux Operating Systems Supported

Fedora 12, 13, Ubuntu 9.04, 9.10, 10.04, Red Hat Linux Desktop 6.0, openSUSE 11.0, 11.1, SUSE Linux Enterprise Server 10, 11, Debian GNU/Linux 5.0, SUSE Linux Enterprise Desktop 10, 11, Red Hat Enterprise Linux WS 4.0, 5.0, Linpus Linux Desktop 9.6

Microsoft Windows Operating Systems Supported

Server 2008 R2 running Terminal Services, Server 2008 R2, Server 2008 x64 running Terminal Services, Windows 7, Windows 7 x64, Server 2008 running Terminal Services, Server 2008, Vista, XP, Server 2003, XP x64, Server 2003 running Terminal Services, Server 2003 x64, Server 2003 x64 running Terminal Services, Vista x64, Server 2008 x64

Novell Operating Systems Supported

Open Enterprise Server on SUSE Linux Enterprise Server, NetWare 5.1 (SP 6+), 6.0 (SP 3+) with Novell Distributed

Print Services (NDPS), NetWare 6.5 Open Enterprise Server

UNIX Operating Systems Supported

Sun openSolaris X86 2010.02, Sun openSolaris SPARC 2010.02, IBM AIX 5.2, 5.3, 6.1, Sun Solaris x86 10, Sun Solaris SPARC 8, 9, 10, HP-UX 11.11, 11.23, 11.31

Paper Handling Standard

50-Sheet Multipurpose Feeder, 150-Sheet Input Tray, 250-Sheet Output Bin, 250-Sheet Input Tray, Integrated Duplex

Paper Handling Optional

550-Sheet Drawer

Paper Input Capacity, Standard: Up to

450 pages 20 lb or 75 gsm bond

Paper Input Capacity, Maximum: Up to

2100 pages 20 lb or 75 gsm bond

Paper Output Capacity, Standard: Up to

250 pages 20 lb or 75 gsm bond

Paper Output Capacity, Maximum: Up to

250 pages 20 lb or 75 gsm bond

ADF Paper Input Capacity

Up to 100 pages 20 lb or 75 gsm bond

Finishing Option

No

Number of Paper Inputs, Standard

3

Number of Paper Inputs, Maximum

6

Media Types Supported

Banner Paper, Envelopes, Card Stock, Labels, Refer to the Card Stock & Label Guide, Plain Paper, Transparencies

Media Sizes Supported

A6, Oficio, Universal, Statement, JIS-B5, Folio, DL Envelope, B5 Envelope, A4, 10 Envelope, 7 3/4 Envelope, 9 Envelope, A3, A5, C5 Envelope, Executive, JIS-B4, Ledger, Legal, Letter

Standard Ports

Ethernet 10/100/1000 BaseTX (RJ-45), USB 2.0 Specification Hi-Speed Certified (Type B), Front USB 2.0 Specification Hi-Speed Certified Port (Type A), Rear USB 2.0 Specification Hi-Speed Certified Port (Type A)

Optional Network Ports

Internal MarkNet™ N8250 802.11b/g/n Wireless, Internal MarkNet™ N8130 Fiber Fast Ethernet, External MarkNet™ N7020 Gigabit Ethernet, Internal MarkNet™ N8120 Gigabit Ethernet

Optional Local Ports

Internal 1284-B Bidirectional Parallel, Internal RS-232C serial

Network Printing Methods

ThinPrint .print integration, LPR/LPD, Direct IP (Port 9100), HTTP, NDPS/NEPS (Novell Distributed Print Services, Novell Network Enterprise Print Services), Enhanced IP (Port 9400), IPP 1.1 (Internet Printing Protocol), FTP, TFTP

Network Protocol Support

UDP, TCP, TCP/IP IPv6, AppleTalk™, TCP/IP IPv4

Network Security

IPSec, SNMPv3, 802.1x Authentication: MD5, MSCHAPv2, LEAP, PEAP, TLS, TTLS

Printer Languages (Standard)

AirPrint™, PDF 1.6, xHTML, Direct Image, Microsoft XPS (XML Paper Specification), PostScript 3 Emulation, PCL 6 Emulation, PCL 5c Emulation, Personal Printer Data Stream (PPDS)

Reduce / Enlarge Range

25 - 400 %

Scan Area, Maximum

297 x 432 mm

Scan Area, Maximum

11.69 x 17 inches

Modem Speed

33.6 Kbps

Supplies Yield

8,500*-page Black High Yield Toner Cartridge, 7,500*-page Color (CMY) High Yield Toner Cartridges

Coloring(s) Shipping with Product

8,500*-page Black High Yield Toner Cartridge, 7,500*-page Color (CMY) High Yield Toner Cartridges

Packaged Size (mm - H x W x D)

1182 x 789 x 798 mm

Size (mm - H x W x D)

771 x 672 x 668 mm

Packaged Size (in. - H x W x D)

46.54 x 31.06 x 31.42 in.

Size (in. - H x W x D)

30.35 x 26.46 x 26.30 in.

Size, Trays Extended (mm - H x W x D)

1067 x 914 x 1049 mm

Weight (kg)

79.3 kg

Size, Trays Extended (in. - H x W x D)

42.0 x 36.0 x 41.3 in.

Weight (lb.)

174.8 lb.

Noise Level, Idle

39 dBA

Print Noise Level, Operating

53 dBA

Copy Noise Level, Operating

54 dBA

Scan Noise Level, Operating

54 dBA

Product Warranty

1-Year Onsite Service, Next Business Day

Product Certifications

Energy Star, CAN/CSA-C22.2 60950-1-07, ICES-003 Class A, US FDA, BSMI Class A, CNS 13438, VCCI Class A, FCC Class A, UL 60950-1, EN/IEC 60320-1, NOM-019-SCFI-1998, CE Class A, CB IEC 60950-1, EN 60950-1, EN/IEC 61000-3, EN 55022 Class A, EN 55024, GS (TUV), SAT, SABS, ZIK, KPSIM, Bel GISS, GOST-R Cpt Mark, N Mark, UL AR, CS, TÜV Rh, ACMA A-tick mark Class A, AS/NZS 60950-1, CCC Class A, CISPR 22 Class A, MIC Mark,



EK-K60950, PSB

Maximum Monthly Duty Cycle

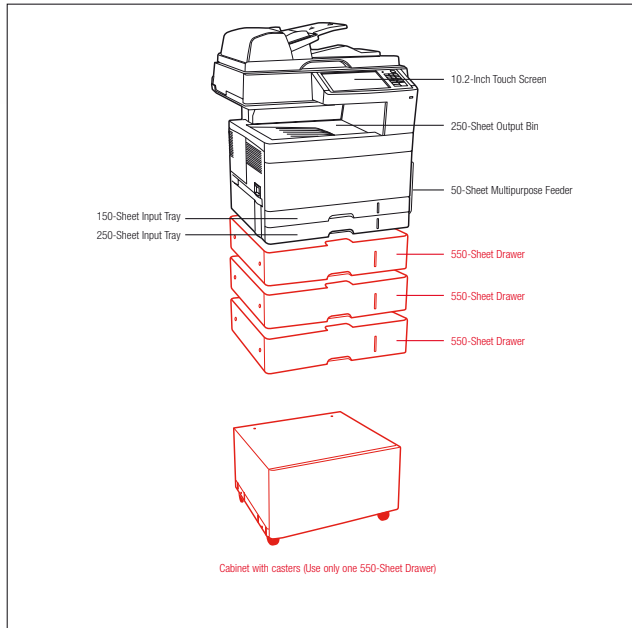
Up to 200000 pages per month

Recommended Monthly Page Volume

5000 - 10000 pages

Specified Operating Environment

Altitude: 0 - 2300 Meters (7,545 Feet), Temperature: 10 to 32°C (50 to 90°F), Humidity: 20 to 80% Relative Humidity



■ Standard
■ Optional

MULTIFUNCTION COLOR LASER

| Part # | Model |
|---------|----------------|
| 24Z0653 | Lexmark X925de |

| Part # | Laser Toner/Print Cartridge |
|----------|---|
| X925H2KG | X925 Black High Yield Toner Cartridge |
| X925H2CG | X925 Cyan High Yield Toner Cartridge |
| X925H2MG | X925 Magenta High Yield Toner Cartridge |
| X925H2YG | X925 Yellow High Yield Toner Cartridge |
| C925X72G | C925, X925 Black Imaging Unit |
| C925X73G | C925, X925 Cyan Imaging Unit |
| C925X74G | C925, X925 Magenta Imaging Unit |
| C925X75G | C925, X925 Yellow Imaging Unit |
| C925X76G | C925, X925 Waste Toner Bottle |

| Part # | Paper Handling |
|---------|-----------------------------|
| 24Z0030 | C925, X925 550-Sheet Drawer |

| Part # | Furniture |
|---------|---------------------------------|
| 24Z0031 | C925, X925 Cabinet with casters |

| Part # | Memory Options |
|---------|-------------------------------|
| 1025041 | 256MB DDR2-DRAM |
| 1025042 | 512MB DDR2-DRAM |
| 1025043 | 1024MB DDR2-DRAM |
| 14F0245 | 256MB Flash Card |
| 30G0287 | Arabic Font Card |
| 30G0828 | Japanese Font Card |
| 30G0825 | Korean Font Card |
| 30G0826 | Simplified Chinese Font Card |
| 30G0827 | Traditional Chinese Font Card |

| Part # | Application Solutions |
|---------|-----------------------------------|
| 24Z0043 | X925 Card for PRESCRIBE Emulation |
| 24Z0041 | X925 Forms and Bar Code Card |
| 24Z0042 | X925 Card for IPDS |
| 57X9000 | Lexmark Print/Cryptography Card |

| Part # | Connectivity |
|---------|---|
| 27X0025 | MarkNet N8250 802.11b/g/n Wireless Print Server |
| 14F0037 | MarkNet N8120 Gigabit Ethernet Print Server |
| 14F0042 | MarkNet N8130 Fiber Ethernet 100BaseFX, 10BaseFL Print Server |
| 14T0220 | MarkNet™ N7020e Gigabit Ethernet Print Server |
| 1021294 | USB Cable (2-meter) |
| 14F0000 | Parallel 1284-B Interface Card |
| 1021231 | Parallel Cable (10-foot) |
| 14F0100 | RS-232C Serial Interface Card |

| Part # | Extended Warranties |
|---------|--|
| 2353820 | X925 2-Years Total Onsite Service, Next Business Day |
| 2353821 | X925 3-Years Total Onsite Service, Next Business Day |

| | |
|---------|---|
| 2353822 | X925 4-Years Total Onsite Service, Next Business Day |
| 2353823 | X925 5-Years Total Onsite Service, Next Business Day |
| 2353824 | X925 1-Year Onsite Service Renewal, Next Business Day |

| Part # | User Replaceable Parts |
|---------|---|
| 40X6013 | C925, X925 Fuser Maintenance Kit 110-120V |
| 40X6011 | C925, X925 Transfer Belt and Roll |
| 40X6328 | X925 ADF Separator Roll |
| 40X6432 | X925 Flatbed Cushion |
| 40X6327 | X925 ADF Pick Arm |

| Part # | Installation Service |
|---------|----------------------------------|
| 2353827 | X925 Install, De-Install Service |



Lexmark X950de

Elevate your productivity with the Lexmark X950de, featuring print speed up to 45 ppm, high-performance A3 color functionality, flexible features, easy-to-use workflow solutions and advanced security.

Print Technology

Color LED

Function

Color Network Scanning, Color Scanning, Color Printing, Color Faxing, Color Copying

Display

Lexmark e-Task 10.2-inch (25.9 cm) color touch screen

Print Speed (Letter, Black)

Up to 45 ppm

Print Speed (Letter, Color)

Up to 40 ppm

Print Speed (Letter, Black) Duplex

Up to 45 ppm

Time to First Page (Black)

As fast as 5.5 seconds

Time to First Page (Color)

As fast as 7.7 seconds

Copy Speed (Letter, Black)

Up to 45 cpm

Copy Speed (Letter, Color)

Up to 40 cpm

Time to First Copy (Black)

As fast as 7.1 seconds

Print Resolution, Black

2400 Image Quality, 1200 x 1200 dpi

Print Resolution, Color

2400 Image Quality, 1200 x 1200 dpi

ADF Scan

RADF (Reversing Duplex)

Optical Scanning Resolution

600 X 600 ppi

Memory, Standard

1024 MB

Memory, Maximum

2048 MB

Hard Disk

Included in configuration

Expandable Memory Options

Yes

Apple Macintosh Operating Systems Supported

Mac OS X

Linux Operating Systems Supported

Fedora 12, 13, Ubuntu 9.04, 9.10, 10.04, Red Flag Linux Desktop 6.0, openSUSE 11.0, 11.1, SUSE Linux Enterprise Server 10, 11, Debian GNU/Linux 5.0, SUSE Linux Enterprise Desktop 10, 11, Red Hat Enterprise Linux WS 4.0, 5.0, Linpus Linux Desktop 9.6

Microsoft Windows Operating Systems Supported

Server 2008 R2 running Terminal Services, Server 2008 R2, Server 2008 x64 running Terminal Services, Windows 7, Windows 7 x64, Server 2008 running Terminal Services, Server 2008, Vista, XP, Server 2003, XP x64, Server 2003 running Terminal Services, Server 2003 x64, Server 2003 x64 running Terminal Services, Vista x64, Server 2008 x64

Novell Operating Systems Supported

Open Enterprise Server on SUSE Linux Enterprise Server, NetWare 5.1 (SP 6+), 6.0 (SP 3+) with Novell Distributed Print Services (NDPS), NetWare 6.5 Open Enterprise Server

UNIX Operating Systems Supported

IBM AIX 5.2, 5.3, 6.1, HP-UX 11.11, 11.23, 11.31, Sun Solaris x86 10, Sun Solaris SPARC 8, 9, 10

Paper Handling Standard

520-Sheet Input Tray, 100-Sheet Multipurpose Feeder, 500-Sheet Output Bin, Integrated Duplex

Paper Handling Additional

520-Sheet Drawer Stand, 2,520-Sheet Tandem Tray Module, 3 x 520-Sheet Drawer Stand, 2,000-Sheet High-Capacity Feeder, Banner Media Tray, 3,500-Sheet Finisher, Booklet Finisher

Paper Input Capacity, Standard: Up to

620 pages 20 lb or 75 gsm bond

Paper Input Capacity, Maximum: Up to

5140 pages 20 lb or 75 gsm bond

Paper Output Capacity, Standard: Up to

500 pages 20 lb or 75 gsm bond

Paper Output Capacity, Maximum: Up to

3750 pages 20 lb or 75 gsm bond

ADF Paper Input Capacity

Up to 110 pages 20 lb or 75 gsm bond

Finishing Option

Yes

Number of Paper Inputs, Standard

2

Number of Paper Inputs, Maximum

6

Media Types Supported

Refer to the Card Stock & Label Guide, Glossy Paper, Card Stock, Envelopes, Labels, Transparencies, Plain Paper

Media Sizes Supported

A6, Oficio, Super tabloid, Universal, Ledger, JIS-B4, Executive, C5 Envelope, A4, 10 Envelope, 7 3/4 Envelope, A3, A5, DL Envelope, Folio, JIS-B5, Legal, Letter, Statement

Standard Ports

Ethernet 10/100/1000 BaseTX (RJ-45), Rear USB 2.0 Specification Hi-Speed Certified Port (Type A), USB 2.0 Specification Hi-Speed Certified (Type B), Front USB 2.0 Specification Hi-Speed Certified Port (Type A)

Optional Network Ports

Internal MarkNet™ N8250 802.11b/g/n Wireless, Internal MarkNet™ N8130 Fiber Fast Ethernet

Optional Local Ports

Internal 1284-B Bidirectional Parallel, Internal RS-232C serial

Network Printing Methods

ThinPrint .print integration, LPR/LPD, Direct IP (Port 9100), HTTP, NDPS/NEPS (Novell Distributed Print Services), Novell Netware Enterprise Print Services, Enhanced IP (Port 9400), IPP 1.1 (Internet Printing Protocol), FTP, TFTP

Network Protocol Support

UDP, TCP, TCP/IP IPv6, AppleTalk™, TCP/IP IPv4

Network Security

IPSec, SNMPv3, 802.1x Authentication: MD5, MSCHAPv2,

LEAP, PEAP, TLS, TTLS

Printer Languages (Standard)

AirPrint™, Microsoft XPS (XML Paper Specification), PDF 1.6, PCL 5c Emulation, PCL 6 Emulation, Personal Printer Data Stream (PPDS), PostScript 3 Emulation, xHTML, Direct Image

Reduce / Enlarge Ratio

25 - 400 %

Scan Area, Maximum

297 x 432 mm

Scan Area, Maximum

11.69 x 17 inches

Modem Speed

33.6 Kbps

Supplies Yield

32,000*-page Black Toner Cartridge, 22,000*-page color (CMY) Toner Cartridges

Cartridge(s) Shipping with Product

16,000*-page Black Starter Toner Cartridge, 11,000*-page Color (CMY) Starter Toner Cartridges

Packaged Size (mm - H x W x D)

870 x 848 x 769 mm

Size (mm - H x W x D)

762 x 640 x 685 mm

Packaged Size (in. - H x W x D)

34.25 x 33.39 x 30.28 in.

Size (in. - H x W x D)

30.01 x 25.20 x 26.97 in.

Size, Trays Extended (mm - H x W x D)

1098 x 640 x 1108 mm

Weight (kg)

116.0 kg

Size, Trays Extended (in. - H x W x D)

43.21 x 25.20 x 43.63 in.

Weight (lb.)

255.8 lb.

Noise Level, Idle

24 dBA

Print Noise Level, Operating

52 dBA

Copy Noise Level, Operating

55 dBA

Scan Noise Level, Operating

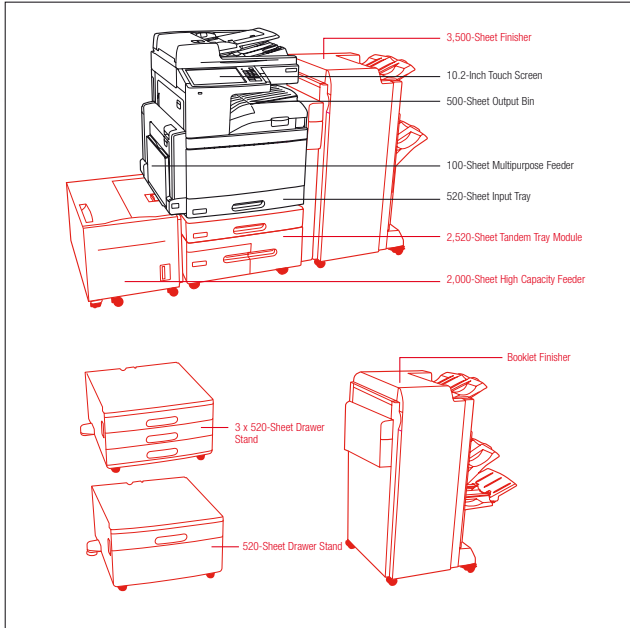
55 dBA

Product Warranty

1-Year Onsite Service, Next Business Day

Product Certifications

Energy Star, CAN/CSA-C22.2 60950-1-07, ICES-003 Class A, BSMI Class A, CNS 13438 and 14336, VCCI Class A, FCC Class A, UL 60950-1, EN/IEC 60320-1, NOM-019-SCFI-1998, CB IEC 60950-1, EN 60950-1, EN/IEC 61000-3, EN 55022 Class A, EN 55024, GS (TÜV), SAT, SABS, ZIK, KPSIM, Bel GISS, GOST-R 'Cpt' Mark, N Mark, IRAM, CS, TÜV Rh, ACMA A-tick mark Class A, AS/NZS 60950-1, CCC Class A, GB4943, CISPR 22 Class A, MIC Mark, EK-K60950, PSB-SS 337



Standard
 Optional

Maximum Monthly Duty Cycle

Up to 200000 pages per month

Recommended Monthly Page Volume

5000 - 33000 pages

Specified Operating Environment

Humidity: 15 to 85% Relative Humidity, Altitude: 0 - 2500

Meters (8,200 Feet), Temperature:

10 to 32°C (50 to 90°F)

| Part # | Model |
|---------|----------------|
| 22Z0019 | Lexmark X950de |

| Part # | Laser Toner/Print Cartridge |
|----------|---|
| X950X2KG | X95x Black Extra High Yield Toner Cartridge |
| X950X2CG | X95x Cyan Extra High Yield Toner Cartridge |
| X950X2MG | X95x Magenta Extra High Yield Toner Cartridge |
| X950X2YG | X95x Yellow Extra High Yield Toner Cartridge |
| X950X71G | C950, X95x Photoconductor Unit 1-Pack |
| C950X73G | C950, X95x Photoconductor Unit 3-Pack |
| C950X76G | C950, X95x Waste Toner Bottle |
| 25A0013 | Staple Cartridges (3 pack) |
| 21Z0357 | Booklet Saddle Staple Cartridges (4 pack) |

| Part # | Paper Handling |
|---------|--|
| 22Z0014 | C950, X95x 2520-Sheet Tandem Tray Module |
| 22Z0013 | C950, X95x 3x520-Sheet Drawer Stand |
| 22Z0012 | C950, X95x 520-Sheet Drawer Stand |
| 22Z0015 | C950, X95x 2000-Sheet High Capacity Feeder |
| 22Z0016 | C950, X95x 3500-Sheet Finisher (3-Hole) |
| 22Z0017 | C950, X95x Booklet Finisher (3-Hole) |

| Part # | Memory Options |
|---------|-------------------------------|
| 1025041 | 256MB DDR2-DRAM |
| 1025042 | 512MB DDR2-DRAM |
| 1025043 | 1024MB DDR2-DRAM |
| 14F0245 | 256MB Flash Card |
| 30G0287 | Arabic Font Card |
| 30G0828 | Japanese Font Card |
| 30G0825 | Korean Font Card |
| 30G0826 | Simplified Chinese Font Card |
| 30G0827 | Traditional Chinese Font Card |

| Part # | Application Solutions |
|---------|---|
| 22Z0186 | X950, X952, X954 Card for IPDS |
| 22Z0187 | X950, X952, X954 Card for PRESCRIBE Emulation |
| 22Z0185 | X950, X952, X954 Forms and Bar Code Card |
| 57X9000 | Lexmark PrintCryption Card |

| Part # | Connectivity |
|---------|---|
| 27X0025 | MarkNet N8250 802.11b/g/n Wireless Print Server |
| 14F0042 | MarkNet N8130 Fiber Ethernet 100BaseFX, 10BaseFL Print Server |
| 1021294 | USB Cable (2-meter) |
| 14F0000 | Parallel 1284-B Interface Card |
| 1021231 | Parallel Cable (10-foot) |
| 14F0100 | RS-232C Serial Interface Card |

| Part # | Extended Warranties |
|---------|--|
| 2354235 | X950 2-Years Total Onsite Service, Next Business Day |
| 2354236 | X950 3-Years Total Onsite Service, Next Business Day |

| | |
|---------|---|
| 2354237 | X950 4-Years Total Onsite Service, Next Business Day |
| 2354238 | X950 5-Years Total Onsite Service, Next Business Day |
| 2354239 | X950 1-Year Onsite Service Renewal, Next Business Day |

| Part # | User Replaceable Parts |
|---------|--|
| 40X7550 | C950, X95x Fuser Maintenance Kit, 320K, 110-120V |
| 40X7540 | C950, X95x 160K Maintenance Kit |
| 40X7530 | X95x ADF Maintenance Kit |

| Part # | Service Parts |
|---------|---------------------------------|
| 40X7560 | C950, X95x 480K Maintenance Kit |

| Part # | Installation Service |
|---------|----------------------------------|
| 2354242 | X950 Install, De-Install Service |



Lexmark X952dte

Power up your office with the Lexmark X952dte, featuring high-performance A3 color functionality, flexible features, easy-to-use workflow solutions, advanced security and three extra 520-page drawers.

Print Technology

Color LED

Function

Color Network Scanning, Color Scanning, Color Printing, Color Faxing, Color Copying

Display

Lexmark e-Task 10.2-inch (25.9 cm) color touch screen

Print Speed (Letter, Black)

Up to 50 ppm

Print Speed (Letter, Color)

Up to 45 ppm

Print Speed (Letter, Black) Duplex

Up to 50 ppm

Time to First Page (Black)

As fast as 7.7 seconds

Time to First Page (Color)

As fast as 7.7 seconds

Copy Speed (Letter, Black)

Up to 50 cpm

Copy Speed (Letter, Color)

Up to 45 cpm

Time to First Copy (Black)

As fast as 6.8 seconds

Print Resolution, Black

2400 Image Quality, 1200 x 1200 dpi

Print Resolution, Color

2400 Image Quality, 1200 x 1200 dpi

ADF Scan

RADF (Reversing Duplex)

Optical Scanning Resolution

600 X 600 ppi

Memory, Standard

1024 MB

Memory, Maximum

2048 MB

Hard Disk

Included in configuration

Expandable Memory Options

Yes

Apple Macintosh Operating Systems Supported

Mac OS X

Linux Operating Systems Supported

Fedora 12, 13, Ubuntu 9.04, 9.10, 10.04, Red Flag Linux Desktop 6.0, openSUSE 11.0, 11.1, SUSE Linux Enterprise Server 10, 11, Debian GNU/Linux 5.0, SUSE Linux Enterprise Desktop 10, 11, Red Hat Enterprise Linux WS 4.0, 5.0, Linpus Linux Desktop 9.6

Microsoft Windows Operating Systems Supported

Server 2008 R2 running Terminal Services, Server 2008 R2, Server 2008 x64 running Terminal Services, Windows 7, Windows 7 x64, Server 2008 running Terminal Services, Server 2008, Vista, XP, Server 2003, XP x64, Server 2003 running Terminal Services, Server 2003 x64, Server 2003 x64 running Terminal Services, Vista x64, Server 2008 x64

Novell Operating Systems Supported

Open Enterprise Server on SUSE Linux Enterprise Server, NetWare 5.1 (SP 6+), 6.0 (SP 3+) with Novell Distributed Print Services (NDPS), NetWare 6.5 Open Enterprise Server

UNIX Operating Systems Supported

IBM AIX 5.2, 5.3, 6.1, HP-UX 11.11, 11.23, 11.31, Sun Solaris x86 10, Sun Solaris SPARC 8, 9, 10

Paper Handling Standard

3 x 520-Sheet Drawer Stand, 520-Sheet Input Tray, 500-Sheet Output Bin, Integrated Duplex, 100-Sheet Multipurpose Feeder

Paper Handling Optional

Booklet Finisher, 2,000-Sheet High-Capacity Feeder, Banner Media Tray, 3,500-Sheet Finisher

Paper Input Capacity, Standard: Up to

2180 pages 20 lb or 75 gsm bond

Paper Input Capacity, Maximum: Up to

4180 pages 20 lb or 75 gsm bond

Paper Output Capacity, Standard: Up to

500 pages 20 lb or 75 gsm bond

Paper Output Capacity, Maximum: Up to

3750 pages 20 lb or 75 gsm bond

ADF Paper Input Capacity

Up to 110 pages 20 lb or 75 gsm bond

Finishing Option

Yes

Number of Paper Inputs, Standard

5

Number of Paper Inputs, Maximum

6

Media Types Supported

Refer to the Card Stock & Label Guide, Glossy Paper, Card Stock, Envelopes, Labels, Transparencies, Plain Paper

Media Sizes Supported

A6, Office, Super tabloid, Universal, Ledger, JIS-B4, Executive, C5 Envelope, A4, 10 Envelope, 7 3/4 Envelope, A3, A5, DL Envelope, Folio, JIS-B5, Legal, Letter, Statement

Standard Ports

Ethernet 10/100/1000 BaseTX (RJ-45), Rear USB 2.0 Specification Hi-Speed Certified Port (Type A), USB 2.0 Specification Hi-Speed Certified (Type B), Front USB 2.0 Specification Hi-Speed Certified Port (Type A)

Optional Network Ports

Internal MarkNet™ N8250 802.11b/g/n Wireless, Internal MarkNet™ N8130 Fiber Fast Ethernet

Optional Local Ports

Internal 1284-B Bidirectional Parallel, Internal RS-232C serial

Network Printing Methods

ThinPrint .print integration, LPR/LPD, Direct IP (Port 9100), HTTP, NDPS/NEPS (Novell Distributed Print Services, Novell Netware Enterprise Print Services), Enhanced IP (Port 9400), IPP 1.1 (Internet Printing Protocol), FTP, TFTP

Network Protocol Support

UDP, TCP, TCP/IP IPv6, AppleTalk™, TCP/IP IPv4

Network Security

IPSec, SNMPv3, 802.1x Authentication: MD5, MSCHAPv2, LEAP, PEAP, TLS, TTLS

Printer Languages (Standard)

AirPrint™, Microsoft XPS (XML Paper Specification), PDF 1.6, PCL 5c Emulation, PCL 6 Emulation, Personal Printer Data Stream (PPDS), PostScript 3 Emulation, xHTML, Direct Image

Reduce / Enlarge Range

25 - 400 %

Scan Area, Maximum

297 x 432 mm

Scan Area, Maximum

11.69 x 17 inches

Modem Speed

33.6 Kbps

Supplies Yield

32,000*-page Black Toner Cartridge, 22,000*-page color (CMY) Toner Cartridges

Cartridge(s) Shipping with Product

16,000*-page Black Starter Toner Cartridge, 11,000*-page Color (CMY) Starter Toner Cartridges

Packaged Size (mm - H x W x D)

1446 x 848 x 769 mm

Size (mm - H x W x D)

1127 x 640 x 685 mm

Packaged Size (in. - H x W x D)

56.93 x 33.39 x 30.28 in.

Size (in. - H x W x D)

44.38 x 25.20 x 26.97 in.

Size, Trays Extended (mm - H x W x D)

1463 x 640 x 1108 mm

Weight (kg)

150.7 kg

Size, Trays Extended (in. - H x W x D)

57.58 x 25.20 x 43.63 in.

Weight (lb.)

332.2 lb.

Noise Level, Idle

24 dBA

Print Noise Level, Operating

62 dBA

Copy Noise Level, Operating

55 dBA

Scan Noise Level, Operating

55 dBA

Product Warranty

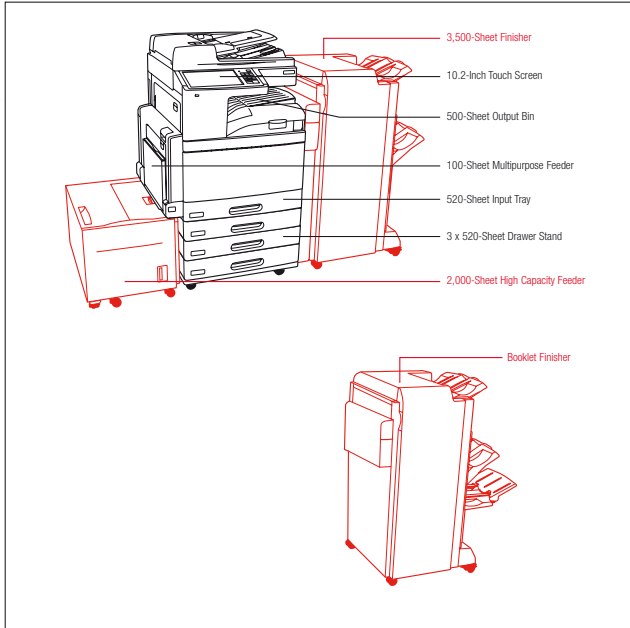
1-Year Onsite Service, Next Business Day

Product Certifications

Energy Star, CAN/CSA-C22.2 60950-1-07, ICES-003 Class A, BSMI Class A, CNS 13438 and 14336, VCCI Class A, FCC Class A, UL 60950-1, EN/IEC 60320-1, NOM-019-SCFI-1998, CB IEC 60950-1, EN 60950-1, EN/IEC 61000-3, EN 55022 Class A, EN 55024, GS (TÜV), SAT, SABS, ZIK, KPSIM, Bel GISS, GOST-R 'Cpt' Mark, N Mark, IRAM, CS, TÜV Rh, ACMA A-tick mark Class A, AS/NZS 60950-1, CCC Class A, GB4943, CISPIR 22 Class A, MIC Mark, EK-K60950, PSB-SS 337

Maximum Monthly Duty Cycle

Up to 225,000 pages per month



Standard
 Optional

Recommended Monthly Page Volume

5000 - 33000 pages

Specified Operating Environment

Humidity: 15 to 85% Relative Humidity, Altitude: 0 - 2500

Meters (8,200 Feet), Temperature:

10 to 32°C (50 to 90°F)

| | |
|---------------|---|
| Part # | Model |
| 2220020 | Lexmark X952dte |
| Part # | Laser Toner/Print Cartridge |
| X950X2KG | X95x Black Extra High Yield Toner Cartridge |
| X950X2CG | X95x Cyan Extra High Yield Toner Cartridge |
| X950X2MG | X95x Magenta Extra High Yield Toner Cartridge |
| X950X2YG | X95x Yellow Extra High Yield Toner Cartridge |
| X950X71G | C950, X95x Photoconductor Unit 1-Pack |
| C950X73G | C950, X95x Photoconductor Unit 3-Pack |
| C950X76G | C950, X95x Waste Toner Bottle |
| 25A0013 | Staple Cartridges (3 pack) |
| 21Z0357 | Booklet Saddle Staple Cartridges (4 pack) |
| Part # | Paper Handling |
| 2220016 | C950, X95x 3500-Sheet Finisher (3-Hole) |
| 2220017 | C950, X95x Booklet Finisher (3-Hole) |
| 2220015 | C950, X95x 2000-Sheet High Capacity Feeder |
| Part # | Memory Options |
| 1025041 | 256MB DDR2-DRAM |
| 1025042 | 512MB DDR2-DRAM |
| 1025043 | 1024MB DDR2-DRAM |
| 14F0245 | 256MB Flash Card |
| 30G0287 | Arabic Font Card |
| 30G0828 | Japanese Font Card |
| 30G0825 | Korean Font Card |
| 30G0826 | Simplified Chinese Font Card |
| 30G0827 | Traditional Chinese Font Card |
| Part # | Application Solutions |
| 2220186 | X950, X952, X954 Card for IPDS |
| 2220187 | X950, X952, X954 Card for PRESCRIBE Emulation |
| 2220185 | X950, X952, X954 Forms and Bar Code Card |
| 57X9000 | Lexmark PrintCryption Card |
| Part # | Connectivity |
| 27X0025 | MarkNet N8250 802.11b/g/n Wireless Print Server |
| 14F0042 | MarkNet N6130 Fiber Ethernet 100BaseFX, 10BaseFL Print Server |
| 1021294 | USB Cable (2-meter) |
| 14F0000 | Parallel 1284-B Interface Card |
| 1021231 | Parallel Cable (10-foot) |
| 14F0100 | RS-232C Serial Interface Card |
| Part # | Extended Warranties |
| 2354263 | X952 2-Years Total Onsite Service, Next Business Day |
| 2354264 | X952 3-Years Total Onsite Service, Next Business Day |
| 2354265 | X952 4-Years Total Onsite Service, Next Business Day |
| 2354266 | X952 5-Years Total Onsite Service, Next Business Day |
| 2354267 | X952 1-Year Onsite Service Renewal, Next Business Day |

| | |
|---------------|--|
| Part # | User Replaceable Parts |
| 40X7550 | C950, X95x Fuser Maintenance Kit, 320K, 110-120V |
| 40X7540 | C950, X95x 160K Maintenance Kit |
| 40X7530 | X95x ADF Maintenance Kit |
| Part # | Service Parts |
| 40X7560 | C950, X95x 480K Maintenance Kit |
| Part # | Installation Service |
| 2354270 | X952 Install, De-Install Service |



Lexmark X954dhe

Power up your office with the Lexmark X954dhe, featuring high-performance A3 color functionality, flexible features, easy-to-use workflow solutions, advanced security, extra 2,520-sheet input and 2GB RAM.

Print Technology

Color LED

Function

Color Network Scanning, Color Scanning, Color Printing, Color Faxing, Color Copying

Display

Lexmark e-Task 10.2-inch (25.9 cm) color touch screen

Print Speed (Letter, Black)

Up to 55 ppm

Print Speed (Letter, Color)

Up to 50 ppm

Print Speed (Letter, Black) Duplex

Up to 55 ppm

Time to First Page (Black)

As fast as 7.2 seconds

Time to First Page (Color)

As fast as 7.2 seconds

Copy Speed (Letter, Black)

Up to 55 cpm

Copy Speed (Letter, Color)

Up to 50 cpm

Time to First Copy (Black)

As fast as 6.4 seconds

Print Resolution, Black

2400 Image Quality, 1200 x 1200 dpi

Print Resolution, Color

2400 Image Quality, 1200 x 1200 dpi

ADF Scan

RADF (Reversing Duplex)

Optical Scanning Resolution

600 X 600 ppi

Memory, Standard

2048 MB

Memory, Maximum

2048 MB

Hard Disk

Included in configuration

Expandable Memory Options

No

Apple Macintosh Operating Systems Supported

Mac OS X

Linux Operating Systems Supported

Fedora 12, 13, Ubuntu 9.04, 9.10, 10.04, Red Flag Linux Desktop 6.0, openSUSE 11.0, 11.1, SUSE Linux Enterprise Server 10, 11, Debian GNU/Linux 5.0, SUSE Linux Enterprise Desktop 10, 11, Red Hat Enterprise Linux WS 4.0, 5.0, Linpus Linux Desktop 9.6

Microsoft Windows Operating Systems Supported

Server 2008 R2 running Terminal Services, Server 2008 R2, Server 2008 x64 running Terminal Services, Windows 7, Windows 7 x64, Server 2008 running Terminal Services, Server 2008, Vista, XP, Server 2003, XP x64, Server 2003 running Terminal Services, Server 2003 x64, Server 2003 x64 running Terminal Services, Vista x64, Server 2008 x64

Novell Operating Systems Supported

Open Enterprise Server on SUSE Linux Enterprise Server, NetWare 5.1 (SP 6+), 6.0 (SP 3+) with Novell Distributed Print Services (NDPS), NetWare 6.5 Open Enterprise Server

UNIX Operating Systems Supported

IBM AIX 5.2, 5.3, 6.1, HP-UX 11.11, 11.23, 11.31, Sun Solaris x86 10, Sun Solaris SPARC 8, 9, 10

Paper Handling Standard

2,520-Sheet Tandem Tray Module, 520-Sheet Input Tray, 500-Sheet Output Bin, Integrated Duplex, 100-Sheet Multipurpose Feeder

Paper Handling Optional

Booklet Finisher, 2,000-Sheet High-Capacity Feeder, Banner Media Tray, 3,500-Sheet Finisher

Paper Input Capacity, Standard: Up to

3140 pages 20 lb or 75 gsm bond

Paper Input Capacity, Maximum: Up to

5140 pages 20 lb or 75 gsm bond

Paper Output Capacity, Standard: Up to

500 pages 20 lb or 75 gsm bond

Paper Output Capacity, Maximum: Up to

3750 pages 20 lb or 75 gsm bond

ADF Paper Input Capacity

Up to 110 pages 20 lb or 75 gsm bond

Finishing Option

Yes

Number of Paper Inputs, Standard

5

Number of Paper Inputs, Maximum

6

Media Types Supported

Refer to the Card Stock & Label Guide, Glossy Paper, Card Stock, Envelopes, Labels, Transparencies, Plain Paper

Media Sizes Supported

A6, Office, Super tabloid, Universal, Ledger, JIS-B4, Executive, C5 Envelope, A4, 10 Envelope, 7 3/4 Envelope, A3, A5, DL Envelope, Folio, JIS-B5, Legal, Letter, Statement

Standard Ports

Ethernet 10/100/1000 BaseTX (RJ-45), Rear USB 2.0 Specification Hi-Speed Certified Port (Type A), USB 2.0 Specification Hi-Speed Certified (Type B), Front USB 2.0 Specification Hi-Speed Certified Port (Type A)

Optional Network Ports

Internal MarkNet™ N8250 802.11b/g/n Wireless, Internal MarkNet™ N8130 Fiber Fast Ethernet

Optional Local Ports

Internal 1284-B Bidirectional Parallel, Internal RS-232C serial

Network Printing Methods

ThinPrint .print integration, LPR/LPD, Direct IP (Port 9100), HTTP, NDPS/NEPS (Novell Distributed Print Services, Novell Network Enterprise Print Services), Enhanced IP (Port 9400), IPP 1.1 (Internet Printing Protocol), FTP, TFTP

Network Protocol Support

UDP, TCP, TCP/IP IPv6, AppleTalk™, TCP/IP IPv4

Network Security

IPSec, SNMPv3, 802.1x Authentication: MD5, MSCHAPv2, LEAP, PEAP, TLS, TTLS

Printer Languages (Standard)

AirPrint™, Microsoft XPS (XML Paper Specification), PDF 1.6, PCL 5c Emulation, PCL 6 Emulation, Personal Printer Data Stream (PPDS), PostScript 3 Emulation, xHTML, Direct Image

Reduce / Enlarge Range

25 - 400 %

Scan Area, Maximum

297 x 432 mm

Scan Area, Maximum

11.69 x 17 inches

Modem Speed

33.6 Kbps

Supplies Yield

32,000*-page Black Toner Cartridge, 22,000*-page color (CMY) Toner Cartridges

Cartridge(s) Shipping with Product

16,000*-page Black Starter Toner Cartridge, 11,000*-page Color (CMY) Starter Toner Cartridges

Packaged Size (mm - H x W x D)

1446 x 848 x 769 mm

Size (mm - H x W x D)

1127 x 640 x 685 mm

Packaged Size (in. - H x W x D)

56.93 x 33.39 x 30.28 in.

Size (in. - H x W x D)

44.38 x 25.20 x 26.97 in.

Size, Trays Extended (mm - H x W x D)

1463 x 640 x 1108 mm

Weight (kg)

159.6 kg

Size, Trays Extended (in. - H x W x D)

57.58 x 25.20 x 43.63 in.

Weight (lb.)

351.8 lb.

Noise Level, Idle

24 dBA

Print Noise Level, Operating

53 dBA

Copy Noise Level, Operating

55 dBA

Scan Noise Level, Operating

54 dBA

Product Warranty

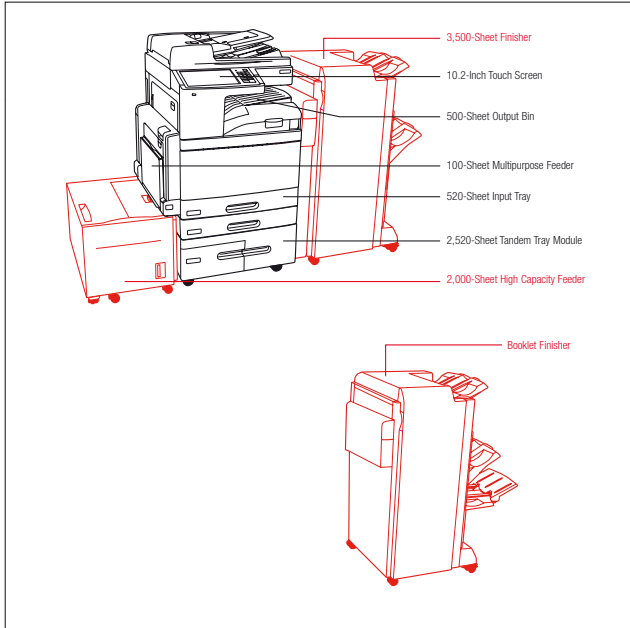
1-Year Onsite Service, Next Business Day

Product Certifications

Energy Star, CAN/CSA-C22.2 60950-1-07, ICES-003 Class A, BSMI Class A, CNS 13438 and 14336, VCCI Class A, FCC Class A, UL 60950-1, EN/IEC 60320-1, NOM-019-SCFI-1998, CB IEC 60950-1, EN 60950-1, EN/IEC 61000-3, EN 55022 Class A, EN 55024, GS (TÜV), SAT, SABS, ZIK, KPSIM, Bel GISS, GOST-R 'Cpt' Mark, N Mark, IRAM, CS, TÜV Rh, ACMA A-tick mark Class A, AS/NZS 60950-1, CCC Class A, GB4943, CISPIR 22 Class A, MIC Mark, EK-K60950, PSB-SS 337

Maximum Monthly Duty Cycle

Up to 250,000 pages per month



Standard
 Optional

Recommended Monthly Page Volume

5000 - 33000 pages

Specified Operating Environment

Humidity: 15 to 85% Relative Humidity, Altitude: 0 - 2500

Meters (8,200 Feet), Temperature:

10 to 32°C (50 to 90°F)

| | |
|---------------|---|
| Part # | Model |
| 22Z0021 | Lexmark X954dhe |
| Part # | Laser Toner/Print Cartridge |
| X950X2KG | X95x Black Extra High Yield Toner Cartridge |
| X950X2CG | X95x Cyan Extra High Yield Toner Cartridge |
| X950X2MG | X95x Magenta Extra High Yield Toner Cartridge |
| X950X2YG | X95x Yellow Extra High Yield Toner Cartridge |
| X950X71G | C950, X95x Photoconductor Unit 1-Pack |
| C950X73G | C950, X95x Photoconductor Unit 3-Pack |
| C950X76G | C950, X95x Waste Toner Bottle |
| 25A0013 | Staple Cartridges (3 pack) |
| 21Z0357 | Booklet Saddle Staple Cartridges (4 pack) |
| Part # | Paper Handling |
| 22Z0016 | C950, X95x 3500-Sheet Finisher (3-Hole) |
| 22Z0017 | C950, X95x Booklet Finisher (3-Hole) |
| 22Z0015 | C950, X95x 2000-Sheet High Capacity Feeder |
| Part # | Memory Options |
| 14F0245 | 256MB Flash Card |
| 30G0287 | Arabic Font Card |
| 30G0828 | Japanese Font Card |
| 30G0825 | Korean Font Card |
| 30G0826 | Simplified Chinese Font Card |
| 30G0827 | Traditional Chinese Font Card |
| Part # | Application Solutions |
| 22Z0186 | X950, X952, X954 Card for IPDS |
| 22Z0187 | X950, X952, X954 Card for PRESCRIBE Emulation |
| 22Z0185 | X950, X952, X954 Forms and Bar Code Card |
| 57X9000 | Lexmark PrintCrypton Card |
| Part # | Connectivity |
| 27X0025 | MarkNet N8250 802.11b/g/n Wireless Print Server |
| 14F0042 | MarkNet N8130 Fiber Ethernet 100BaseFX, 10BaseFL Print Server |
| 1021294 | USB Cable (2-meter) |
| 14F0000 | Parallel 1284-B Interface Card |
| 1021231 | Parallel Cable (10-foot) |
| 14F0100 | RS-232C Serial Interface Card |
| Part # | Extended Warranties |
| 2354291 | X954 2-Years Total Onsite Service, Next Business Day |
| 2354292 | X954 3-Years Total Onsite Service, Next Business Day |
| 2354293 | X954 4-Years Total Onsite Service, Next Business Day |
| 2354294 | X954 5-Years Total Onsite Service, Next Business Day |
| 2354295 | X954 1-Year Onsite Service Renewal, Next Business Day |
| Part # | User Replaceable Parts |
| 40X7550 | C950, X95x Fuser Maintenance Kit, 320K, 110-120V |

| | |
|---------------|----------------------------------|
| 40X7540 | C950, X95x 160K Maintenance Kit |
| 40X7530 | X95x ADF Maintenance Kit |
| Part # | Service Parts |
| 40X7560 | C950, X95x 480K Maintenance Kit |
| Part # | Installation Service |
| 2354298 | X954 Install, De-Install Service |

Lexmark Forms Printer 2580+



The Lexmark Forms Printer 2580+ provides high-speed forms printing and features such as high-yield ribbons, multi-part form support and character and page monitoring.

Print Technology

9-Pin Dot Matrix

Print Speeds

Up to 100 cps Near Letter Quality @ 12 cpi, Up to 400 cps

Draft @ 12 cpi, Up to 618 cps Fast Draft @ 12 cpi

Resolution

240 x 144 dots per inch

Memory

512 KB

Mean Time Between Failures (MTBF)

12,500 POH @ 25% duty cycle

Linux Operating Systems Supported

SUSE Linux 10.0, 10.1, 10.2, Debian GNU/Linux 3.1, 4.0,

Linspire Linux 5.0, SUSE Linux Enterprise Server 8.0, 9.0,

10, 11, Red Hat Enterprise Linux WS 3.0, 4.0, 5.0

Microsoft Windows Operating Systems Supported

Server 2008 R2, Windows 7 x64, Server 2008 x64,

Windows 7, Server 2008, Vista, XP x64, XP, 2000, Server

2003, Server 2003 x64, Vista x64

Novell Operating Systems Supported

NetWare 5.x, 6.x with iPrint or Novell Distributed Print

Services (NDPS)

UNIX Operating Systems Supported

HP-UX 11.11, Sun Solaris SPARC 8, 9, 10, IBM AIX 5.1,

5.2, 5.3, Sun Solaris x86 10

Paper Handling Optional

Tractor 2 (narrow), Automatic Sheet Feeder (narrow)

Paper Handling Standard

Front Tractor Feeder

Media Sizes Supported

Single-part or multi-part cut forms, Narrow sheet fed paper,

Single-part or multi-part continuous forms

Media Types Supported

Forms or Paper - 16 to 24 lb., 60 to 90 gsm (0.0045 in. or

0.11 mm maximum paper thickness), Multi-part forms - Up

to 1+5 parts (up to 0.020 in. or 0.51 mm paper thickness),

Single-part forms - 16 to 24 lb., 60 to 90 gsm (0.0045 in.

or 0.11 mm paper thickness)

Supplies Yield

Standard 4 million characters (draft mode at 10 cpi) - Re-

Inking Ribbon, Optional 8 million characters (draft mode at

10 cpi) - Re-Inking Ribbon

Standard Ports

USB, Centronics IEEE 1284 Bidirectional Parallel

Optional Local Ports

Internal RS-232C serial

Optional Network Ports

External MarkNet™ N7002e Fast Ethernet (parallel),

External MarkNet™ N7020e Gigabit Ethernet, External

MarkNet™ N7000e Fast Ethernet (USB)

Printer Languages (Standard)

Okidata MICROLINE Emulation, Personal Printer Data

Stream (PPDS), Epson Emulation

Text Fonts

Proportional Spaced (PS), 10, 12, 15, 17.1, 20 cpi, Fast

Draft, Draft, Courier, Gothic

Bar Codes

US Postal (POSTNET 5-digit ZIP Code), Codabar (NW-7),

Code 3 of 9, EAN-8, UPC-A, UPC-E, EAN-13, Code 128,

Industrial 2 of 5, Interleaved 2 of 5

Packaged Size (mm - H x W x D)

325 x 609 x 408 mm

Packaged Size (in. - H x W x D)

12.8 x 24.0 x 16.1 in.

Size (mm - H x W x D)

195 x 492 x 290 mm

Size (in. - H x W x D)

7.7 x 19.4 x 11.4 in.

Weight (kg)

8 kg

Weight (lb.)

17.6 lb.

Noise Level, Idle

15 dBA

Print Noise Level, Operating

56 dBA

Maximum Print Line (")

8.0 inches

Maximum Print Line (mm)

203.2 mm

Product Warranty

2-Year Exchange Service, Next Business Day

Product Certifications

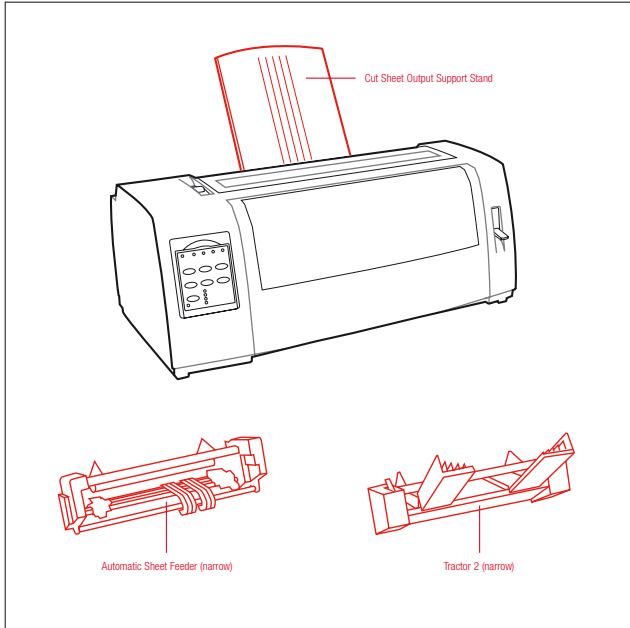
Energy Star, UL 60950-1, CSA, FCC Class B, VCCI, CB IEC

60950-1, SEMKO, GS (TÜV), CE Class B, SMA C-Tick

Specified Operating Environment

Temperature: 10 to 40°C (50 to 104°F), Humidity: 8 to

90% Relative Humidity



Standard
 Optional

| | |
|---------------|---|
| Part # | Model |
| 11C0099 | Lexmark Forms Printer 2580+ |
| Part # | Ribbons |
| 3070169 | High Yield Black Re-Inking Ribbon |
| 3070166 | Standard Yield Black Re-Inking Ribbon |
| Part # | Paper Handling |
| 12T0693 | Automatic Sheet Feed (narrow) |
| 12T0695 | Tractor 2 (narrow) |
| 12T0697 | Cut Sheet Output Support Stand |
| Part # | Connectivity |
| 1021231 | Parallel Cable (10-foot) |
| 1021294 | USB Cable (2-meter) |
| 12T0698 | Serial Interface Option |
| 14T0030 | Lexmark N4000e for Ethernet 10/100BaseTX |
| 14T0230 | MarkNet™ N7000e Fast Ethernet Print Server - USB |
| 14T0240 | MarkNet™ N7002e Fast Ethernet Print Server - Parallel |
| 14T0220 | MarkNet™ N7020e Gigabit Ethernet Print Server |
| Part # | Extended Warranties |
| 2354920 | 25xx 3-Years Total Exchange Service, Next Business Day |
| 2354921 | 25xx 4-Years Total Exchange Service, Next Business Day |
| 2354922 | 25xx 5-Years Total Exchange Service, Next Business Day |
| 2354924 | 25xx 1-Year Exchange Service Renewal, Next Business Day |
| 2354927 | 25xx Upgrade to Onsite Service, Next Business Day |
| 2354928 | 25xx+ 3-Years Total Onsite Service, Next Business Day |
| 2354929 | 25xx+ 4-Years Total Onsite Service, Next Business Day |
| 2354930 | 25xx+ 5-Years Total Onsite Service, Next Business Day |
| 2354932 | 1-Year Onsite Service Renewal, Next Business Day |
| Part # | Installation Service |
| 2354937 | 25xx+ Dot Matrix Install, De-Install Service |

Lexmark Forms Printer 2580n+



The network-ready Lexmark Forms Printer 2580n+ provides high-speed forms printing and features such as high-yield ribbons, multi-part form support and character and page monitoring.

Print Technology

9-Pin Dot Matrix

Print Speeds

Up to 100 cps Near Letter Quality @ 12 cpi, Up to 400 cps Draft @ 12 cpi, Up to 618 cps Fast Draft @ 12 cpi

Resolution

240 x 144 dots per inch

Memory

512 KB

Mean Time Between Failures (MTBF)

12,500 POH @ 25% duty cycle

Linux Operating Systems Supported

SUSE Linux 10.0, 10.1, 10.2, Linspire Linux 5.0, SUSE Linux Enterprise Server 8.0, 9.0, 10, 11, Red Hat Enterprise Linux WS 3.0, 4.0, 5.0, Debian GNU/Linux 3.1, 4.0

Microsoft Windows Operating Systems Supported

Server 2008 R2, Windows 7 x64, Windows 7, Vista x64, Vista, Server 2008, Server 2008 x64, Server 2003 x64, Server 2003, 2000, XP, XP x64

Novell Operating Systems Supported

Open Enterprise Server on SUSE Linux Enterprise Server, NetWare 5.1(SP 6+), 6.0(SP 3+) with Novell Distributed Print Services (NDPS), NetWare 6.5 Open Enterprise Server

UNIX Operating Systems Supported

HP-LX 11.11, IBM AIX 5.1, 5.2, 5.3, Sun Solaris SPARC 8, 9, 10, Sun Solaris x86 10

Paper Handling Optional

Tractor 2 (narrow), Automatic Sheet Feeder (narrow)

Paper Handling Standard

Front Tractor Feeder

Media Sizes Supported

Single-part or multi-part cut forms, Narrow sheet fed paper, Single-part or multi-part continuous forms

Media Types Supported

Forms or Paper - 16 to 24 lb., 60 to 90 gsm (0.0045 in. or 0.11 mm maximum paper thickness), Multi-part forms - Up to 1+5 parts (up to 0.020 in. or 0.51 mm paper thickness), Single-part forms - 16 to 24 lb., 60 to 90 gsm (0.0045 in. or 0.11 mm paper thickness)

Supplies Yield

Standard 4 million characters (draft mode at 10 cpi) - Re-Inking Ribbon, Optional 8 million characters (draft mode at 10 cpi) - Re-Inking Ribbon

Standard Ports

USB, Ethernet 10/100BaseTX (RJ-45)

Optional Network Ports

External MarkNet™ N7020e Gigabit Ethernet

Network Printing Methods

FTP, TFTP, Enhanced IP (Port 9400), NDS Queue-based Printing, IPP (Internet Printing Protocol), LPR/LPD, Direct IP (Port 9100)

Network Protocol Support

TCP/IP IPv6, IPX/SPX, TCP/IP IPv4

Network Security

IPSec, SNMPv3, 802.1x Authentication: MD5, MSCHAPv2,

LEAP, PEAP, TLS, TTLS

Print Languages (Standard)

Okidata MICROLINE Emulation, Epson Emulation, Personal Printer Data Stream (PPDS)

Text Fonts

Proportional Spaced (PS), Fast Draft, Draft, Courier, Gothic, 10, 12, 15, 17.1, 20 cpi

Bar Codes

US Postal (POSTNET 5-digit ZIP Code), Code 128, Interleaved 2 of 5, UPC-E, Codabar (NW-7), EAN-13, Industrial 2 of 5, Code 3 of 9, EAN-8, UPC-A

Packaged Size (mm - H x W x D)

325 x 609 x 408 mm

Packaged Size (in. - H x W x D)

12.8 x 24.0 x 16.1 in.

Size (mm - H x W x D)

195 x 492 x 290 mm

Size (in. - H x W x D)

7.7 x 19.4 x 11.4 in.

Weight (kg)

8 kg

Weight (lb.)

17.6 lb.

Noise Level, Idle

15 dBA

Print Noise Level, Operating

56 dBA

Maximum Print Line (")

6.0 inches

Maximum Print Line (mm)

203.2 mm

Product Warranty

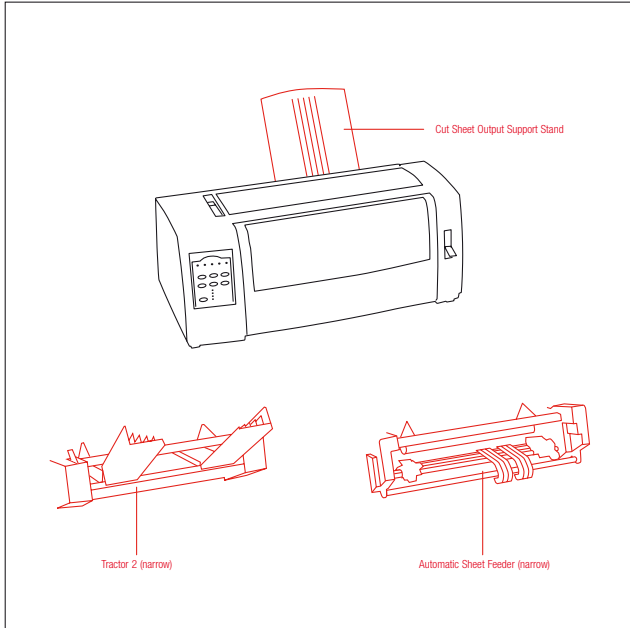
2-Year Exchange Service, Next Business Day

Product Certifications

Energy Star, UL 60950-1, CSA, FCC Class B, VCCI, CB IEC 60950-1, SEMKO, GS (TÜV), CE Class B, SMA C-Tick

Specified Operating Environment

Temperature: 10 to 40°C (50 to 104°F), Humidity: 8 to 90% Relative Humidity



Standard
 Optional

| Part # | Model |
|---------------|---|
| 11C0109 | Lexmark Forms Printer 2580n+ |
| Part # | Ribbons |
| 3070169 | High Yield Black Re-Inking Ribbon |
| 3070166 | Standard Yield Black Re-Inking Ribbon |
| Part # | Paper Handling |
| 12T0693 | Automatic Sheet Feed (narrow) |
| 12T0695 | Tractor 2 (narrow) |
| 12T0697 | Cut Sheet Output Support Stand |
| Part # | Connectivity |
| 1021231 | Parallel Cable (10-foot) |
| 1021294 | USB Cable (2-meter) |
| 14T0220 | MarkNet™ N7020e Gigabit Ethernet Print Server |
| Part # | Extended Warranties |
| 2354920 | 25xx 3-Years Total Exchange Service, Next Business Day |
| 2354921 | 25xx 4-Years Total Exchange Service, Next Business Day |
| 2354922 | 25xx 5-Years Total Exchange Service, Next Business Day |
| 2354924 | 25xx 1-Year Exchange Service Renewal, Next Business Day |
| 2354927 | 25xx Upgrade to Onsite Service, Next Business Day |
| 2354928 | 25xx+ 3-Years Total Onsite Service, Next Business Day |
| 2354929 | 25xx+ 4-Years Total Onsite Service, Next Business Day |
| 2354930 | 25xx+ 5-Years Total Onsite Service, Next Business Day |
| 2354932 | 1-Year Onsite Service Renewal, Next Business Day |
| Part # | Installation Service |
| 2354937 | 25xx+ Dot Matrix Install, De-Install Service |

Lexmark Forms Printer 2581+



The Lexmark Forms Printer 2581+ provides high-speed wide forms printing and features such as high-yield ribbons, multi-part form support, and character and page monitoring.

Print Technology

9-Pin Dot Matrix

Print Speeds

Up to 100 cps Near Letter Quality @ 12 cpi, Up to 400 cps

Draft @ 12 cpi, Up to 618 cps Fast Draft @ 12 cpi

Resolution

240 x 144 dots per inch

Memory

512 KB

Mean Time Between Failures (MTBF)

12,500 POH @ 25% duty cycle

Linux Operating Systems Supported

SUSE Linux 10.0, 10.1, 10.2, Red Hat Enterprise Linux WS

3.0, 4.0, 5.0, Linux Enterprise 5.0, Debian GNU/Linux 3.1,

4.0, SUSE Linux Enterprise Server 8.0, 9.0, 10, 11

Microsoft Windows Operating Systems Supported

Server 2008 R2, Windows 7 x64, Windows 7, Vista x64,

Server 2008, Server 2008 x64, Vista, XP x64, XP, 2000,

Server 2003, Server 2003 x64

Novell Operating Systems Supported

NetWare 5.x, 6.x with iPrint or Novell Distributed Print

Services (NDPS)

UNIX Operating Systems Supported

HP-UX 11.11, Sun Solaris x86 10, Sun Solaris SPARC 8, 9,

10, IBM AIX 5.1, 5.2, 5.3

Paper Handling Optional

Tractor 2 (wide), Automatic Sheet Feeder (wide)

Paper Handling Standard

Front Tractor Feeder

Media Sizes Supported

Single-part or multi-part cut forms, Wide sheet fed paper,

Single-part or multi-part continuous forms

Media Types Supported

Forms or Paper - 16 to 24 lb., 60 to 90 gsm (0.0045 in. or

0.11 mm maximum paper thickness), Multi-part forms - Up

to 1+5 parts (up to 0.020 in. or 0.51 mm paper thickness),

Single-part forms - 16 to 24 lb., 60 to 90 gsm (0.0045 in.

or 0.11 mm paper thickness)

Supplies Yield

Standard 4 million characters (draft mode at 10 cpi) - Re-

inking Ribbon, Optional 8 million characters (draft mode at

10 cpi) - Re-Inking Ribbon

Standard Ports

USB, Centronics IEEE 1284 Bidirectional Parallel

Optional Local Ports

Internal RS-232C serial

Optional Network Ports

External MarkNet™ N7002e Fast Ethernet (parallel),

External MarkNet™ N7020e Gigabit Ethernet, External

MarkNet™ N7000e Fast Ethernet (USB)

Printer Languages (Standard)

Okidata MICROLINE Emulation, Epson Emulation, Personal

Printer Data Stream (PPDS)

Text Fonts

Proportional Spaced (PS), 10, 12, 15, 17.1, 20 cpi, Fast

Draft, Draft, Courier, Gothic

Bar Codes

US Postal (POSTNET 5-digit ZIP Code), Interleaved 2 of 5, EAN-13, Industrial 2 of 5, Code 128, Codabar (NW-7), Code 3 of 9, EAN-8, UPC-A, UPC-E

Packaged Size (mm - H x W x D)

325 x 751 x 408 mm

Packaged Size (in. - H x W x D)

12.8 x 29.6 x 16.1 in.

Size (mm - H x W x D)

195 x 634 x 290 mm

Size (in. - H x W x D)

7.7 x 24.9 x 11.4 in.

Weight (kg)

9.8 kg

Weight (lb.)

21.6 lb.

Noise Level, Idle

15 dBA

Print Noise Level, Operating

57 dBA

Maximum Print Line (")

13.6 inches

Maximum Print Line (mm)

345.4 mm

Product Warranty

2-Year Exchange Service, Next Business Day

Product Certifications

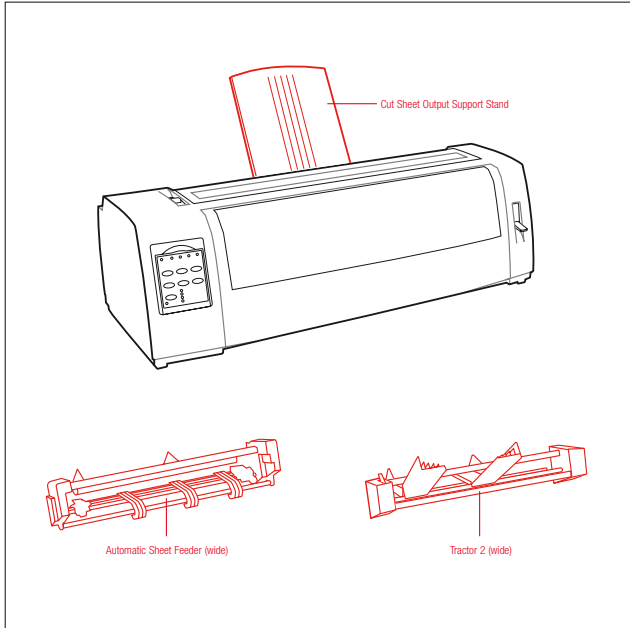
Energy Star, UL 60950-1, CSA, FCC Class B, VCCI, CB IEC

60950-1, SEMKO, GS (TÜV), CE Class B, SMA C-Tick

Specified Operating Environment

Temperature: 10 to 40°C (50 to 104°F), Humidity: 8 to

90% Relative Humidity



Standard
 Optional

| | |
|---------------|---|
| Part # | Model |
| 11C0111 | Lexmark Forms Printer 2581+ |
| Part # | Ribbons |
| 3070169 | High Yield Black Re-Inking Ribbon |
| 3070166 | Standard Yield Black Re-inking Ribbon |
| Part # | Paper Handling |
| 12T0696 | Tractor 2 (wide) |
| 12T0694 | Automatic Sheet Feed (wide) |
| 12T0697 | Cut Sheet Output Support Stand |
| Part # | Connectivity |
| 1021231 | Parallel Cable (10-foot) |
| 1021294 | USB Cable (2-meter) |
| 12T0698 | Serial Interface Option |
| 14T0030 | Lexmark N4000e for Ethernet 10/100BaseTX |
| 14T0230 | MarkNet™ N7000e Fast Ethernet Print Server - USB |
| 14T0240 | MarkNet™ N7002e Fast Ethernet Print Server - Parallel |
| 14T0220 | MarkNet™ N7020e Gigabit Ethernet Print Server |
| Part # | Extended Warranties |
| 2354920 | 25xx 3-Years Total Exchange Service, Next Business Day |
| 2354921 | 25xx 4-Years Total Exchange Service, Next Business Day |
| 2354922 | 25xx 5-Years Total Exchange Service, Next Business Day |
| 2354924 | 25xx 1-Year Exchange Service Renewal, Next Business Day |
| 2354927 | 25xx Upgrade to Onsite Service, Next Business Day |
| 2354928 | 25xx+ 3-Years Total Onsite Service, Next Business Day |
| 2354929 | 25xx+ 4-Years Total Onsite Service, Next Business Day |
| 2354930 | 25xx+ 5-Years Total Onsite Service, Next Business Day |
| 2354932 | 1-Year Onsite Service Renewal, Next Business Day |
| Part # | Installation Service |
| 2354937 | 25xx+ Dot Matrix Install, De-Install Service |

Lexmark Forms Printer 2581n+



The network-ready Lexmark Forms Printer 2581n+ provides high-speed forms printing and features such as high-yield ribbons, multi-part form support and character and page monitoring.

Print Technology

9-Pin Dot Matrix

Print Speeds

Up to 100 cps Near Letter Quality @ 12 cpi, Up to 400 cps Draft @ 12 cpi, Up to 618 cps Fast Draft @ 12 cpi

Resolution

240 x 144 dots per inch

Memory

512 KB

Mean Time Between Failures (MTBF)

12,500 POH @ 25% duty cycle

Linux Operating Systems Supported

SUSE Linux 10.0, 10.1, 10.2, Linux Enterprise Server 8.0, 9.0, 10, 11, Red Hat Enterprise Linux WS 3.0, 4.0, 5.0, Debian GNU/Linux 3.1, 4.0

Microsoft Windows Operating Systems Supported

Server 2008 R2, Windows 7 x64, Windows 7, Vista x64, Vista, Server 2008, Server 2008 x64, Server 2003 x64, Server 2003, 2000, XP, XP x64

Novell Operating Systems Supported

Open Enterprise Server on SUSE Linux Enterprise Server, NetWare 5.1(SP 6+), 6.0(SP 3+) with Novell Distributed Print Services (NDPS), NetWare 6.5 Open Enterprise Server

UNIX Operating Systems Supported

HP-LX 11.11, IBM AIX 5.1, 5.2, 5.3, Sun Solaris SPARC 8, 9, 10, Sun Solaris x86 10

Paper Handling Optional

Tractor 2 (wide), Automatic Sheet Feeder (wide)

Paper Handling Standard

Front Tractor Feeder

Media Sizes Supported

Single-part or multi-part cut forms, Wide sheet fed paper, Single-part or multi-part continuous forms

Media Types Supported

Forms or Paper - 16 to 24 lb., 60 to 90 gsm (0.0045 in. or 0.11 mm maximum paper thickness), Multi-part forms - Up to 1+5 parts (up to 0.020 in. or 0.51 mm paper thickness), Single-part forms - 16 to 24 lb., 60 to 90 gsm (0.0045 in. or 0.11 mm paper thickness)

Supplies Yield

Standard 4 million characters (draft mode at 10 cpi) - Re-Inking Ribbon, Optional 8 million characters (draft mode at 10 cpi) - Re-Inking Ribbon

Standard Ports

USB, Ethernet 10/100BaseTX (RJ-45)

Optional Network Ports

External MarkNet™ N7020e Gigabit Ethernet

Network Printing Methods

FTP, TFTP, Enhanced IP (Port 9400), NDS Queue-based Printing, IPP (Internet Printing Protocol), LPR/LPD, Direct IP (Port 9100)

Network Protocol Support

TCP/IP IPv6, IPX/SPX, TCP/IP IPv4

Network Security

IPSec, SNMPv3, 802.1x Authentication: MD5, MSCHAPv2,

LEAP, PEAP, TLS, TTLS

Printer Languages (Standard)

Okidata MICROLINE Emulation, Epson Emulation, Personal Printer Data Stream (PPDS)

Text Fonts

Proportional Spaced (PS), Fast Draft, Draft, Courier, Gothic, 10, 12, 15, 17.1, 20 cpi

Bar Codes

US Postal (POSTNET 5-digit ZIP Code), Code 128, Interleaved 2 of 5, UPC-E, Codabar (NW-7), EAN-13, Industrial 2 of 5, Code 3 of 9, EAN-8, UPC-A

Packaged Size (mm - H x W x D)

325 x 751 x 408 mm

Packaged Size (in. - H x W x D)

12.8 x 29.6 x 16.1 in.

Size (mm - H x W x D)

195 x 634 x 290 mm

Size (in. - H x W x D)

7.7 x 24.9 x 11.4 in.

Weight (kg)

9.8 kg

Weight (lb.)

21.6 lb.

Noise Level, Idle

15 dBA

Print Noise Level, Operating

57 dBA

Maximum Print Line (")

13.6 inches

Maximum Print Line (mm)

345.4 mm

Product Warranty

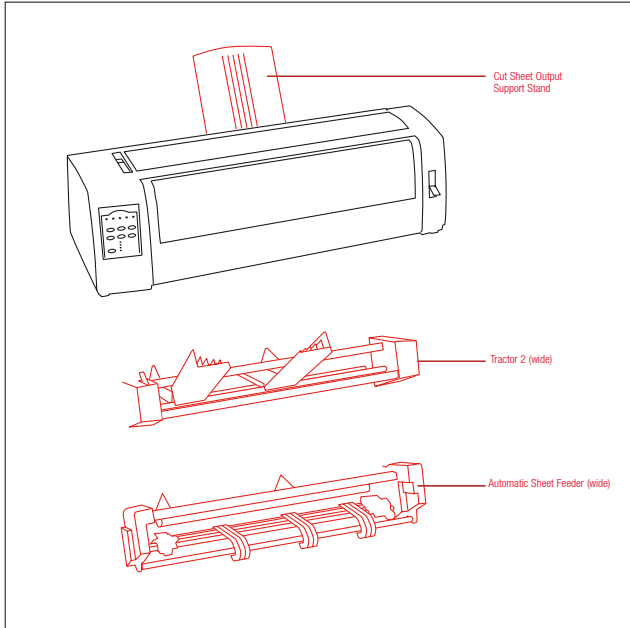
2-Year Exchange Service, Next Business Day

Product Certifications

Energy Star, UL 60950-1, CSA, FCC Class B, CB IEC 60950-1, SEMKO, GS (TÜV), CE Class B, SMA C-Tick

Specified Operating Environment

Temperature: 10 to 40°C (50 to 104°F), Humidity: 8 to 90% Relative Humidity



Standard
 Optional

| Part # | Model |
|---------------|---|
| 11C2956 | Lexmark Forms Printer 2581n+ |
| Part # | Ribbons |
| 3070169 | High Yield Black Re-inking Ribbon |
| 3070166 | Standard Yield Black Re-inking Ribbon |
| Part # | Paper Handling |
| 12T0696 | Tractor 2 (wide) |
| 12T0694 | Automatic Sheet Feed (wide) |
| 12T0697 | Cut Sheet Output Support Stand |
| Part # | Connectivity |
| 1021231 | Parallel Cable (10-foot) |
| 1021294 | USB Cable (2-meter) |
| 14T0220 | MarkNet™ N7020e Gigabit Ethernet Print Server |
| Part # | Extended Warranties |
| 2354920 | 25xx 3-Years Total Exchange Service, Next Business Day |
| 2354921 | 25xx 4-Years Total Exchange Service, Next Business Day |
| 2354922 | 25xx 5-Years Total Exchange Service, Next Business Day |
| 2354924 | 25xx 1-Year Exchange Service Renewal, Next Business Day |
| 2354927 | 25xx Upgrade to Onsite Service, Next Business Day |
| 2354928 | 25xx+ 3-Years Total Onsite Service, Next Business Day |
| 2354929 | 25xx+ 4-Years Total Onsite Service, Next Business Day |
| 2354930 | 25xx+ 5-Years Total Onsite Service, Next Business Day |
| 2354932 | 1-Year Onsite Service Renewal, Next Business Day |
| Part # | Installation Service |
| 2354937 | 25xx+ Dot Matrix Install, De-Install Service |

Lexmark Forms Printer 2590+



The Lexmark Forms Printer 2590+ provides high-quality forms printing and features such as high-yield ribbons, multi-font document support and character and page monitoring.

Print Technology

24-Pin Dot Matrix

Print Speeds

Up to 160 cps Near Letter Quality @ 12 cpi, Up to 480 cps Draft @ 12 cpi, Up to 556 cps Fast Draft @ 12 cpi

Resolution

360 x 360 dots per inch

Memory

512 KB

Mean Time Between Failures (MTBF)

12,500 POH @ 25% duty cycle

Linux Operating Systems Supported

SUSE Linux 10.0, 10.1, 10.2, Debian GNU/Linux 3.1, 4.0, Linspire Linux 5.0, SUSE Linux Enterprise Server 8.0, 9.0, 10, 11, Red Hat Enterprise Linux WS 3.0, 4.0, 5.0

Microsoft Windows Operating Systems Supported

Server 2008 R2, Windows 7 x64, Server 2008 x64, Windows 7, Server 2008, Vista, XP x64, XP, 2000, Server 2003, Server 2003 x64, Vista x64

Novell Operating Systems Supported

NetWare 5.x, 6.x with iPrint or Novell Distributed Print Services (NDPS)

UNIX Operating Systems Supported

HP-UX 11.11, Sun Solaris SPARC 8, 9, 10, IBM AIX 5.1, 5.2, 5.3, Sun Solaris x86 10

Paper Handling Optional

Tractor 2 (narrow), Automatic Sheet Feeder (narrow)

Paper Handling Standard

Front Tractor Feeder

Media Sizes Supported

Single-part or multi-part cut forms, Narrow sheet fed paper, Single-part or multi-part continuous forms

Media Types Supported

Forms or Paper - 16 to 24 lb., 60 to 90 gsm (0.0045 in. or 0.11 mm maximum paper thickness), Multi-part forms - Up to 1+5 parts (up to 0.020 in. or 0.51 mm paper thickness), Single-part forms - 16 to 24 lb., 60 to 90 gsm (0.0045 in. or 0.11 mm paper thickness)

Supplies Yield

Standard 4 million characters (draft mode at 10 cpi) - Re-Inking Ribbon, Optional 8 million characters (draft mode at 10 cpi) - Re-Inking Ribbon

Standard Ports

USB, Centronics IEEE 1284 Bidirectional Parallel

Optional Local Ports

Internal RS-232C serial

Optional Network Ports

External MarkNet™ N7002e Fast Ethernet (parallel), External MarkNet™ N7020e Gigabit Ethernet, External MarkNet™ N7000e Fast Ethernet (USB)

Printer Languages (Standard)

Personal Printer Data Stream (PPDS), Epson Emulation

Text Fonts

Proportional Spaced (PS), Fast Draft, Draft, Courier, Gothic, Orator, Presentor, Prestige, Script, 10, 12, 15, 17.1,

20, 24 cpi

Bar Codes

US Postal (POSTNET 5-digit ZIP Code), Codabar (NW-7), Code 3 of 9, EAN-8, UPC-A, UPC-E, EAN-13, Code 128, Industrial 2 of 5, Interleaved 2 of 5

Packaged Size (mm - H x W x D)

325 x 609 x 408 mm

Packaged Size (in. - H x W x D)

12.8 x 24.0 x 16.1 in.

Size (mm - H x W x D)

195 x 492 x 290 mm

Size (in. - H x W x D)

7.7 x 19.4 x 11.4 in.

Weight (kg)

8 kg

Weight (lb.)

17.6 lb.

Noise Level, Idle

15 dBA

Print Noise Level, Operating

55 dBA

Maximum Print Line (")

8.0 inches

Maximum Print Line (mm)

203.2 mm

Product Warranty

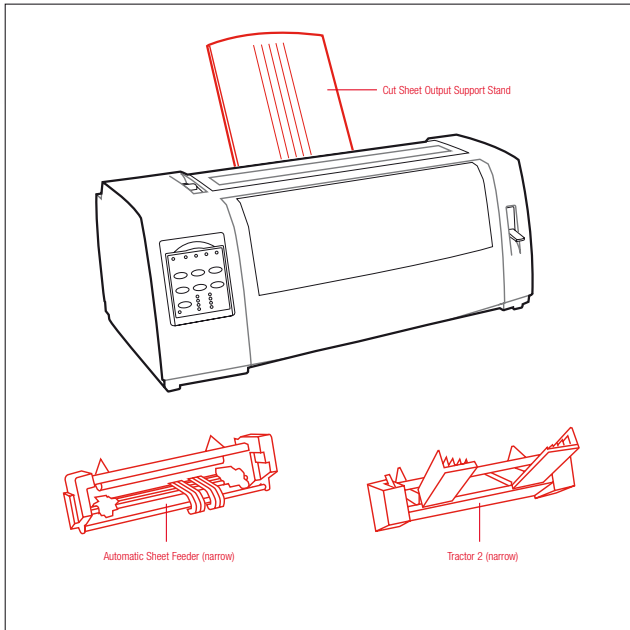
2-Year Exchange Service, Next Business Day

Product Certifications

Energy Star, UL 60950-1, CSA, FCC Class B, CB IEC 60950-1, SEMKO, GS (TÜV), CE Class B, SMA C-Tick

Specified Operating Environment

Temperature: 10 to 40°C (50 to 104°F), Humidity: 8 to 90% Relative Humidity



Standard
 Optional

| | |
|---------------|---|
| Part # | Model |
| 11C0113 | Lexmark Forms Printer 2590+ |
| Part # | Ribbons |
| 3070169 | High Yield Black Re-Inking Ribbon |
| 3070166 | Standard Yield Black Re-inking Ribbon |
| Part # | Paper Handling |
| 12T0693 | Automatic Sheet Feed (narrow) |
| 12T0695 | Tractor 2 (narrow) |
| 12T0697 | Cut Sheet Output Support Stand |
| Part # | Connectivity |
| 1021231 | Parallel Cable (10-foot) |
| 1021294 | USB Cable (2-meter) |
| 12T0698 | Serial Interface Option |
| 14T0030 | Lexmark N4000e for Ethernet 10/100BaseTX |
| 14T0230 | MarkNet™ N7000e Fast Ethernet Print Server - USB |
| 14T0240 | MarkNet™ N7002e Fast Ethernet Print Server - Parallel |
| 14T0220 | MarkNet™ N7020e Gigabit Ethernet Print Server |
| Part # | Extended Warranties |
| 2354920 | 25xx 3-Years Total Exchange Service, Next Business Day |
| 2354921 | 25xx 4-Years Total Exchange Service, Next Business Day |
| 2354922 | 25xx 5-Years Total Exchange Service, Next Business Day |
| 2354924 | 25xx 1-Year Exchange Service Renewal, Next Business Day |
| 2354927 | 25xx Upgrade to Onsite Service, Next Business Day |
| 2354928 | 25xx+ 3-Years Total Onsite Service, Next Business Day |
| 2354929 | 25xx+ 4-Years Total Onsite Service, Next Business Day |
| 2354930 | 25xx+ 5-Years Total Onsite Service, Next Business Day |
| 2354932 | 1-Year Onsite Service Renewal, Next Business Day |
| Part # | Installation Service |
| 2354937 | 25xx+ Dot Matrix Install, De-Install Service |

Lexmark Forms Printer 2590n+



The network-ready Lexmark Forms Printer 2590n+ provides high-quality forms printing and features such as high-yield ribbons, multi-font document support and character and page monitoring.

Print Technology

24-Pin Dot Matrix

Print Speeds

Up to 160 cps Near Letter Quality @ 12 cpi, Up to 480 cps Draft @ 12 cpi, Up to 556 cps Fast Draft @ 12 cpi

Resolution

360 x 360 dots per inch

Memory

512 KB

Mean Time Between Failures (MTBF)

12,500 POH @ 25% duty cycle

Linux Operating Systems Supported

SUSE Linux 10.0, 10.1, 10.2, Linspire Linux 5.0, SUSE Linux Enterprise Server 8.0, 9.0, 10, 11, Red Hat Enterprise Linux WS 3.0, 4.0, 5.0, Debian GNU/Linux 3.1, 4.0

Microsoft Windows Operating Systems Supported

Server 2008 R2, Windows 7 x64, Windows 7, Vista x64, Vista, Server 2008, Server 2008 x64, Server 2003 x64, Server 2003, 2000, XP, XP x64

Novell Operating Systems Supported

Open Enterprise Server on SUSE Linux Enterprise Server, NetWare 5.1(SP 6+), 6.0(SP 3+) with Novell Distributed Print Services (NDPS), NetWare 6.5 Open Enterprise Server

UNIX Operating Systems Supported

HP-LX 11.11, IBM AIX 5.1, 5.2, 5.3, Sun Solaris SPARC 8, 9, 10, Sun Solaris x86 10

Paper Handling Optional

Tractor 2 (narrow), Automatic Sheet Feeder (narrow)

Paper Handling Standard

Front Tractor Feeder

Media Sizes Supported

Single-part or multi-part cut forms, Narrow sheet fed paper, Single-part or multi-part continuous forms

Media Types Supported

Forms or Paper - 16 to 24 lb., 60 to 90 gsm (0.0045 in. or 0.11 mm maximum paper thickness), Multi-part forms - Up to 1+5 parts (up to 0.020 in. or 0.51 mm paper thickness), Single-part forms - 16 to 24 lb., 60 to 90 gsm (0.0045 in. or 0.11 mm paper thickness)

Supplies Yield

Standard 4 million characters (draft mode at 10 cpi) - Re-Inking Ribbon, Optional 8 million characters (draft mode at 10 cpi) - Re-Inking Ribbon

Standard Ports

USB, Ethernet 10/100BaseTX (RJ-45)

Optional Network Ports

External MarkNet™ N7020e Gigabit Ethernet

Network Printing Methods

FTP, TFTP, Enhanced IP (Port 9400), NDS Queue-based Printing, IPP (Internet Printing Protocol), LPR/LPD, Direct IP (Port 9100)

Network Protocol Support

TCP/IP IPv6, IPX/SPX, TCP/IP IPv4

Network Security

IPSec, SNMPv3, 802.1x Authentication: MD5, MSCHAPv2,

LEAP, PEAP, TLS, TTLS

Printer Languages (Standard)

Personal Printer Data Stream (PPDS), Epson Emulation

Text Fonts

Proportional Spaced (PS), Fast Draft, Draft, Courier, Gothic, Orator, Presentor, Prestige, Script, 10, 12, 15, 17.1, 20, 24 cpi

Bar Codes

US Postal (POSTNET 5-digit ZIP Code), Code 128, Interleaved 2 of 5, UPC-E, Codabar (NW-7), EAN-13, Industrial 2 of 5, Code 3 of 9, EAN-8, UPC-A

Packaged Size (mm - H x W x D)

325 x 609 x 408 mm

Packaged Size (in. - H x W x D)

12.8 x 24.0 x 16.1 in.

Size (mm - H x W x D)

195 x 492 x 290 mm

Size (in. - H x W x D)

7.7 x 19.4 x 11.4 in.

Weight (kg)

8 kg

Weight (lb.)

17.6 lb.

Noise Level, Idle

15 dBA

Print Noise Level, Operating

55 dBA

Maximum Print Line (")

8.0 inches

Maximum Print Line (mm)

203.2 mm

Product Warranty

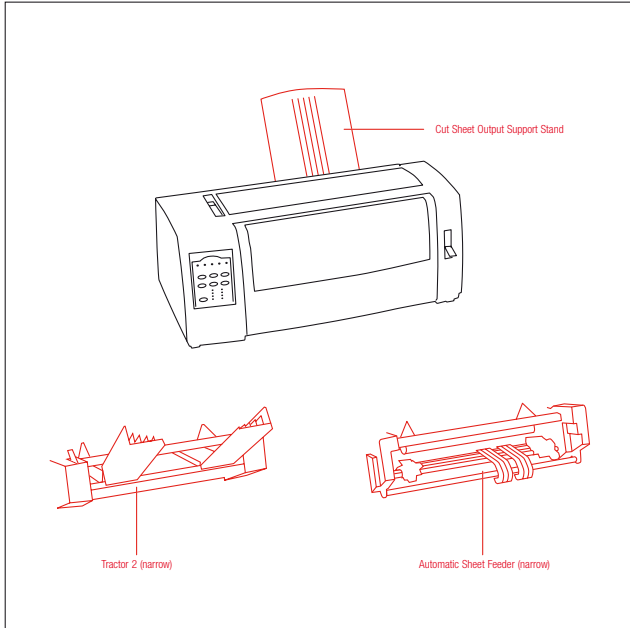
2-Year Exchange Service, Next Business Day

Product Certifications

Energy Star, UL 60950-1, CSA, FCC Class B, CB IEC 60950-1, SEMKO, GS (TÜV), CE Class B, SMA C-Tick

Specified Operating Environment

Temperature: 10 to 40°C (50 to 104°F), Humidity: 8 to 90% Relative Humidity



Standard
 Optional

| Part # | Model |
|---------------|---|
| 11C0118 | Lexmark Forms Printer 2590n+ |
| Part # | Ribbons |
| 3070169 | High Yield Black Re-Inking Ribbon |
| 3070166 | Standard Yield Black Re-Inking Ribbon |
| Part # | Paper Handling |
| 12T0693 | Automatic Sheet Feed (narrow) |
| 12T0695 | Tractor 2 (narrow) |
| 12T0697 | Cut Sheet Output Support Stand |
| Part # | Connectivity |
| 1021231 | Parallel Cable (10-foot) |
| 1021294 | USB Cable (2-meter) |
| 14T0220 | MarkNet™ N7020e Gigabit Ethernet Print Server |
| Part # | Extended Warranties |
| 2354920 | 25xx 3-Years Total Exchange Service, Next Business Day |
| 2354921 | 25xx 4-Years Total Exchange Service, Next Business Day |
| 2354922 | 25xx 5-Years Total Exchange Service, Next Business Day |
| 2354924 | 25xx 1-Year Exchange Service Renewal, Next Business Day |
| 2354927 | 25xx Upgrade to Onsite Service, Next Business Day |
| 2354928 | 25xx+ 3-Years Total Onsite Service, Next Business Day |
| 2354929 | 25xx+ 4-Years Total Onsite Service, Next Business Day |
| 2354930 | 25xx+ 5-Years Total Onsite Service, Next Business Day |
| 2354932 | 1-Year Onsite Service Renewal, Next Business Day |
| Part # | Installation Service |
| 2354937 | 25xx+ Dot Matrix Install, De-Install Service |

Lexmark Forms Printer 2591+



The Lexmark Forms Printer 2591+ provides high-quality forms printing and features such as high-yield ribbons, multi-font document support and character and page monitoring.

Print Technology

24-Pin Dot Matrix

Print Speeds

Up to 160 cps Near Letter Quality @ 12 cpi, Up to 480 cps Draft @ 12 cpi, Up to 556 cps Fast Draft @ 12 cpi

Resolution

360 x 360 dots per inch

Memory

512 KB

Mean Time Between Failures (MTBF)

12,500 POH @ 25% duty cycle

Linux Operating Systems Supported

SUSE Linux 10.0, 10.1, 10.2, Red Hat Enterprise Linux WS 3.0, 4.0, 5.0, Linux Enterprise Server 5.0, Debian GNU/Linux 3.1, 4.0, SUSE Linux Enterprise Server 8.0, 9.0, 10, 11

Microsoft Windows Operating Systems Supported

Server 2008 R2, Windows 7 x64, Windows 7, Vista x64, Server 2008, Server 2008 x64, Vista, XP x64, XP, 2000, Server 2003, Server 2003 x64

Novell Operating Systems Supported

NetWare 5.x, 6.x with iPrint or Novell Distributed Print Services (NDPS)

UNIX Operating Systems Supported

HP-UX 11.1.1, Sun Solaris x86 10, Sun Solaris SPARC 8, 9, 10, IBM AIX 5.1, 5.2, 5.3

Paper Handling Optional

Tractor 2 (wide), Automatic Sheet Feeder (wide)

Paper Handling Standard

Front Tractor Feeder

Media Sizes Supported

Single-part or multi-part cut forms, Wide sheet fed paper, Single-part or multi-part continuous forms

Media Types Supported

Forms or Paper - 16 to 24 lb., 60 to 90 gsm (0.0045 in. or 0.11 mm maximum paper thickness), Multi-part forms - Up to 1+5 parts (up to 0.020 in. or 0.51 mm paper thickness), Single-part forms - 16 to 24 lb., 60 to 90 gsm (0.0045 in. or 0.11 mm paper thickness)

Supplies Yield

Standard 4 million characters (draft mode at 10 cpi) - Re-Inking Ribbon, Optional 8 million characters (draft mode at 10 cpi) - Re-Inking Ribbon

Standard Ports

USB, Centronics IEEE 1284 Bidirectional Parallel

Optional Local Ports

Internal RS-232C serial

Optional Network Ports

External MarkNet™ N7002e Fast Ethernet (parallel), External MarkNet™ N7020e Gigabit Ethernet, External MarkNet™ N7000e Fast Ethernet (USB)

Printer Languages (Standard)

Personal Printer Data Stream (PPDS), Epson Emulation

Text Fonts

Proportional Spaced (PS), Fast Draft, Draft, Courier, Gothic, Orator, Presentor, Prestige, Script, 10, 12, 15, 17.1,

20, 24 cpi

Bar Codes

US Postal (POSTNET 5-digit ZIP Code), Interleaved 2 of 5, EAN-13, Industrial 2 of 5, Code 128, Codabar (NW-7), Code 3 of 9, EAN-8, UPC-A, UPC-E

Packaged Size (mm - H x W x D)

325 x 751 x 408 mm

Packaged Size (in. - H x W x D)

12.8 x 29.6 x 16.1 in.

Size (mm - H x W x D)

195 x 634 x 290 mm

Size (in. - H x W x D)

7.7 x 24.9 x 11.4 in.

Weight (kg)

9.8 kg

Weight (lb.)

21.6 lb.

Noise Level, Idle

15 dBA

Print Noise Level, Operating

55 dBA

Maximum Print Line (")

13.6 inches

Maximum Print Line (mm)

345.4 mm

Product Warranty

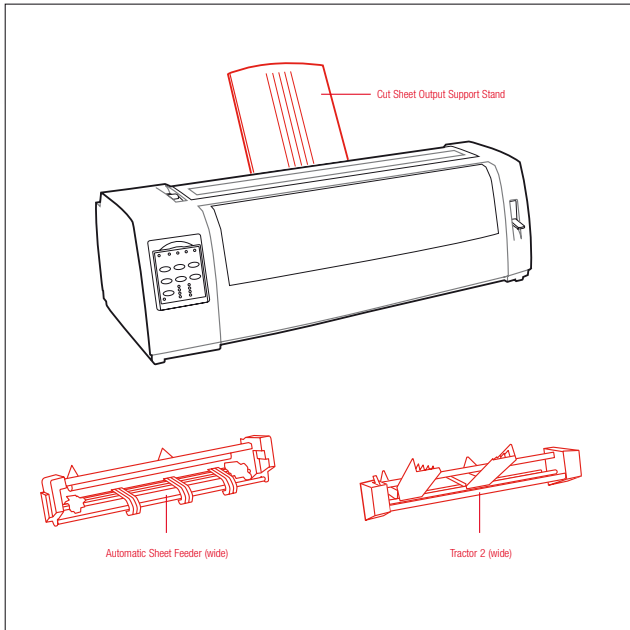
2-Year Exchange Service, Next Business Day

Product Certifications

Energy Star, UL 60950-1, CSA, FCC Class B, CB IEC 60950-1, SEMKO, GS (TÜV), CE Class B, SMA C-Tick

Specified Operating Environment

Temperature: 10 to 40°C (50 to 104°F), Humidity: 8 to 90% Relative Humidity



Standard
 Optional

| Part # | Model |
|---------------|---|
| 11C0119 | Lexmark Forms Printer 2591+ |
| Part # | Ribbons |
| 3070169 | High Yield Black Re-inking Ribbon |
| 3070166 | Standard Yield Black Re-inking Ribbon |
| Part # | Paper Handling |
| 12T0694 | Automatic Sheet Feed (wide) |
| 12T0696 | Tractor 2 (wide) |
| 12T0697 | Cut Sheet Output Support Stand |
| Part # | Connectivity |
| 1021231 | Parallel Cable (10-foot) |
| 1021294 | USB Cable (2-meter) |
| 12T0698 | Serial Interface Option |
| 14T0030 | Lexmark N4000e for Ethernet 10/100BaseTX |
| 14T0230 | MarkNet™ N7000e Fast Ethernet Print Server - USB |
| 14T0240 | MarkNet™ N7002e Fast Ethernet Print Server - Parallel |
| 14T0220 | MarkNet™ N7020e Gigabit Ethernet Print Server |
| Part # | Extended Warranties |
| 2354920 | 25xx 3-Years Total Exchange Service, Next Business Day |
| 2354921 | 25xx 4-Years Total Exchange Service, Next Business Day |
| 2354922 | 25xx 5-Years Total Exchange Service, Next Business Day |
| 2354927 | 25xx Upgrade to Onsite Service, Next Business Day |
| 2354924 | 25xx 1-Year Exchange Service Renewal, Next Business Day |
| 2354928 | 25xx+ 3-Years Total Onsite Service, Next Business Day |
| 2354929 | 25xx+ 4-Years Total Onsite Service, Next Business Day |
| 2354930 | 25xx+ 5-Years Total Onsite Service, Next Business Day |
| 2354932 | 1-Year Onsite Service Renewal, Next Business Day |
| Part # | Installation Service |
| 2354937 | 25xx+ Dot Matrix Install, De-Install Service |

Lexmark Forms Printer 2591n+



The network-ready Lexmark Forms Printer 2591n+ provides high-quality forms printing and features such as high-yield ribbons, multi-font document support and character and page monitoring.

Print Technology

24-Pin Dot Matrix

Print Speeds

Up to 160 cps Near Letter Quality @ 12 cpi, Up to 480 cps

Draft @ 12 cpi, Up to 556 cps Fast Draft @ 12 cpi

Resolution

360 x 360 dots per inch

Memory

512 KB

Mean Time Between Failures (MTBF)

12,500 POH @ 25% duty cycle

Linux Operating Systems Supported

SUSE Linux 10.0, 10.1, 10.2, Linspire Linux 5.0, SUSE Linux Enterprise Server 8.0, 9.0, 10, 11, Red Hat Enterprise Linux WS 3.0, 4.0, 5.0, Debian GNU/Linux 3.1, 4.0

Microsoft Windows Operating Systems Supported

Server 2008 R2, Windows 7 x64, Windows 7, Vista x64, Vista, Server 2008, Server 2008 x64, Server 2003 x64, Server 2003, 2000, XP, XP x64

Novell Operating Systems Supported

Open Enterprise Server on SUSE Linux Enterprise Server, NetWare 5.1 (SP+), 6.0 (SP 3+) with Novell Distributed Print Services (NDPS), NetWare 6.5 Open Enterprise Server

UNIX Operating Systems Supported

HP-LX 11.1.1, IBM AIX 5.1, 5.2, 5.3, Sun Solaris SPARC 8, 9, 10, Sun Solaris x86 10

Paper Handling Optional

Tractor 2 (wide), Automatic Sheet Feeder (wide)

Paper Handling Standard

Front Tractor Feeder

Media Sizes Supported

Single-part or multi-part cut forms, Wide sheet fed paper, Single-part or multi-part continuous forms

Media Types Supported

Forms or Paper - 16 to 24 lb., 60 to 90 gsm (0.0045 in. or 0.11 mm maximum paper thickness), Multi-part forms - Up to 1+5 parts (up to 0.020 in. or 0.51 mm paper thickness), Single-part forms - 16 to 24 lb., 60 to 90 gsm (0.0045 in. or 0.11 mm paper thickness)

Supplies Yield

Standard 4 million characters (draft mode at 10 cpi) - Re-Inking Ribbon, Optional 8 million characters (draft mode at 10 cpi) - Re-Inking Ribbon

Standard Ports

USB, Ethernet 10/100BaseTX (RJ-45)

Optional Network Ports

External MarkNet™ N7020e Gigabit Ethernet

Network Printing Methods

FTP, TFTP, Enhanced IP (Port 9400), NDS Queue-based Printing, IPP (Internet Printing Protocol), LPR/LPD, Direct IP (Port 9100)

Network Protocol Support

TCP/IP IPv6, IPX/SPX, TCP/IP IPv4

Network Security

IPSec, SNMPv3, 802.1x Authentication: MD5, MSCHAPv2,

LEAP, PEAP, TLS, TTLS

Printer Languages (Standard)

Personal Printer Data Stream (PPDS), Epson Emulation

Text Fonts

Proportional Spaced (PS), Fast Draft, Draft, Courier, Gothic, Orator, Presentor, Prestige, Script, 10, 12, 15, 17.1, 20, 24 cpi

Bar Codes

US Postal (POSTNET 5-digit ZIP Code), Code 128, Interleaved 2 of 5, UPC-E, Codabar (NW-7), EAN-13, Industrial 2 of 5, Code 3 of 9, EAN-8, UPC-A

Packaged Size (mm - H x W x D)

325 x 751 x 408 mm

Packaged Size (in. - H x W x D)

12.8 x 29.6 x 16.1 in.

Size (mm - H x W x D)

195 x 634 x 290 mm

Size (in. - H x W x D)

7.7 x 24.9 x 11.4 in.

Weight (kg)

9.8 kg

Weight (lb.)

21.6 lb.

Noise Level, Idle

15 dBA

Print Noise Level, Operating

55 dBA

Maximum Print Line (")

13.6 inches

Maximum Print Line (mm)

345.4 mm

Product Warranty

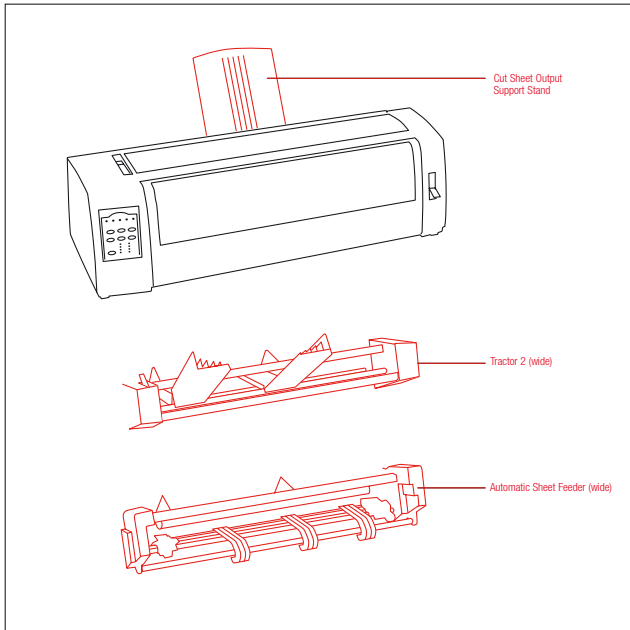
2-Year Exchange Service, Next Business Day

Product Certifications

Energy Star, UL 60950-1, CSA, FCC Class B, CB IEC 60950-1, SEMKO, GS (TÜV), CE Class B, SMA C-Tick

Specified Operating Environment

Temperature: 10 to 40°C (50 to 104°F), Humidity: 8 to 90% Relative Humidity



Standard
 Optional

| Part # | Model |
|---------------|---|
| 11C2957 | Lexmark Forms Printer 2591n+ |
| Part # | Ribbons |
| 3070169 | High Yield Black Re-Inking Ribbon |
| 3070166 | Standard Yield Black Re-inking Ribbon |
| Part # | Paper Handling |
| 12T0694 | Automatic Sheet Feed (wide) |
| 12T0696 | Tractor 2 (wide) |
| 12T0697 | Cut Sheet Output Support Stand |
| Part # | Connectivity |
| 1021231 | Parallel Cable (10-foot) |
| 1021294 | USB Cable (2-meter) |
| 14T0220 | MarkNet™ N7020e Gigabit Ethernet Print Server |
| Part # | Extended Warranties |
| 2354920 | 25xx 3-Years Total Exchange Service, Next Business Day |
| 2354921 | 25xx 4-Years Total Exchange Service, Next Business Day |
| 2354922 | 25xx 5-Years Total Exchange Service, Next Business Day |
| 2354924 | 25xx 1-Year Exchange Service Renewal, Next Business Day |
| 2354927 | 25xx Upgrade to Onsite Service, Next Business Day |
| 2354928 | 25xx+ 3-Years Total Onsite Service, Next Business Day |
| 2354929 | 25xx+ 4-Years Total Onsite Service, Next Business Day |
| 2354930 | 25xx+ 5-Years Total Onsite Service, Next Business Day |
| 2354932 | 1-Year Onsite Service Renewal, Next Business Day |
| Part # | Installation Service |
| 2354937 | 25xx+ Dot Matrix Install, De-Install Service |

Forms and Bar Code Card

Lexmark's Forms and Bar Code Card is a single electronic module providing both printer-based electronic forms and a bar code engine.

Easy and Effective Solution for Business

Complete Solution that is Budget Friendly

- FREESCAPE emulation
- Visual bar code design software
- Maximise printer investment
- Minimise network traffic

Powerful design

- Printer-based forms solution
- Central forms management
- Forms archive and retrieval
- No server required
- Instantly update forms

Superior compatibility

- No application changes
- Host independent
- Embedded bar code support
- SAP R/3 RDI support

Create professional quality bar codes while eliminating costly preprinted forms

Bar codes are essential for many types of industries, including health care, retail, manufacturing, warehousing, transportation and logistics. The Lexmark Forms and Bar Code Card eliminates purchasing preprinted forms, and provides the ability to dynamically update forms on demand, using your Lexmark laser printer or MFP.

Bar code design made simple

Lexmark Forms and Bar Code Card installs easily in Lexmark-compatible printers and MFPs. When combined with Lexmark Forms Composer1 (1), an electronic forms design tool, users can create custom electronic forms tailored to their needs. This software can save hours by allowing programmers to visually select bar code types and characteristics.

SAP R/3 Compatible

The Lexmark Forms and Bar Code Card provides SAP R/3 customers with an intelligent, self-contained solution without requiring additional fonts or server-based software. A supplied device type for SAP R/3 allows utilization of all functions of the bar code option, allowing businesses to take control of bar code creation within their ERP system.

(1) Lexmark Forms Composer, Lexmark Forms Manager and Lexmark flash memory options must be purchased separately.

MINIMUM SYSTEM REQUIREMENTS

The following system requirements are the minimum necessary to install Lexmark Forms Composer, Lexmark Forms Manager, and Lexmark Visual Bar Code Designer software.

Operating System

- Windows 2000 Professional SP4
- Windows XP Professional SP1
- Windows XP Professional SP2

PC Hardware

- Pentium processor-based personal computer
- 1GB RAM
- CD ROM drive
- 2-button mouse and 101-key keyboard
- 1GB of available hard drive space

BAR CODES AVAILABLE (FOR ELECTRONIC FORMS)

One-dimensional: 3 of 9, Code 39, Code 93, Codabar, 2 of 5, EAN/JAN-8, EAN/JAN-13, HIBC128, ISBN, ISSN, ITF14, JIS-S-UCC, MSI, Postnet 5, Postnet 9, Postnet 11, RSS, UCC-EAN 128, UPC-A, UPC-E, USS 128, UCC 128, Planet

Two-dimensional: Aztec, Codablock F, DataMatrix, EAN/UCC Composite, Maxicode, MicroPDF417, PDF417, QR

BAR CODE FEATURES SUPPORTED (FOR PCL AND POSTSCRIPT DATA STREAMS)

- Visual Bar Code Designer eliminates trial and error to create the correct commands for a specific bar code in PCL and PostScript
- Support for International Printing for mySAP Business Suite font, Andale WorldType in UNICODE 3.0 UTF-8 format
- PCL and PostScript command access for bar codes in applications
- FREESCAPE emulation alternate escape code feature
- Capability to embed text with selectable positioning
- Data format verification and error reporting
- Automatic bar code data compression (when required)
- Automatic bar code checksum calculation and character placement (when required)
- Automatic placement of special characters (prefix, start/stop, guard bars, etc., when required)
- Selectable fonts and automatic scaling
- Automatic text printing with selectable placement
- Bar code 3 of 9 standard in Lexmark C78x, C935, T65x, W840, X65x, C78x, X85x and X94x products

ONE-DIMENSIONAL BAR CODES (FOR PCL AND POSTSCRIPT DATA STREAMS)

- Australian Postal 4-State bar code, 37-CUST, 52-FF-MET, 67-FF-MET
- British Royal Mail 4-State Bar Customer (RM4SCC)
- Codabar
- Codabar + mod16 check digit
- Code 128 A, Code 128 B, Code 128 C
- Code 128 autoswitch
- Code 3 of 9
- Code 3 of 9 + check digit
- Code 3 of 9 space encoding
- Code 3 of 0 space encoding + check digit
- Code 3 of 9 extended
- Code 3 of 9 extended + check digit
- Code 93, Code 93 extended
- Danish PTT 3 of 9,
- Dutch Postal 4-State bar code
- EAN/JAN-13
- EAN/JAN-13 + 2-digit supplemental
- EAN/JAN-13 + 5-digit supplemental
- EAN/JAN-8
- EAN/JAN-8 + 2-digit supplemental
- EAN/JAN-8 + 5-digit supplemental
- French Postal 3 of 9 A/R
- German Postal 2 of 5 Identocode
- German Postal 2 of 5 Leitocode
- HIBC 39 PAS
- HIBC 39 SLS
- HIBC 128 PAS
- HIBC 128 SLS
- Industrial 2 of 5
- Industrial 2 of 5 + check digit
- Interleaved 2 of 5
- Interleaved 2 of 5 + check digit
- ISBN
- ISBN+5
- ISSN,
- ISSN+5
- ISSN+2
- ITF-14
- Japan Postal 4-State bar code
- Matrix 2 of 5
- Matrix 2 of 5 + check digit
- MSI (Plessey)
- MSI + mod 10 check digit
- MSI + mod10 + mod10 check digits
- MSI + mod11 + mod10 check digits
- MSI, MSI + mod10 check digits
- PLANET Code
- POSTNET 11-digit Delivery Point Code
- POSTNET 5-digit ZIP Code
- POSTNET 9-digit ZIP + 4 Code
- RSS-14
- RSS-14 Stacked
- RSS-14 Limited
- RSS-14 Expanded
- RSS-14 Truncated
- RSS-14 Stacked Omnidirectional
- Singapore Postal 4-State bar code for customer Encoding
- Swiss postal bar code
- UCC 128, EAN 128
- UPC-A
- UPC-A+2-digit supplemental
- UPC-A+5-digit supplemental
- UPC-E
- UPC-E+2-digit supplemental
- UPC-E+5-digit supplemental
- USPS FIM (Face Indicator Marking)
- USPS Expanded POSTNET
- USPS sack label, 8-digit 2 of 5
- USPS tray label, 10-digit 2 of 5

TWO-DIMENSIONAL BAR CODES (FOR PCL AND POSTSCRIPT DATA STREAMS)

- Codablock F
- Data Matrix
- PDF 417
- MicroPDF 417
- QR
- UPS MaxiCode

COMPOSITE BAR CODES (FOR PCL AND POSTSCRIPT DATA STREAMS)

- UPC-A
- UPC-E
- EAN
- UCC128
- RSS-14

BAR CODE RELATED FONTS (FOR PCL AND POSTSCRIPT DATA STREAMS)

Letter Gothic
Code 3 of 9 - 4.69 pitch
OCR-A
OCR-A
OCR-B
Code 3 of 9 - 8.11 pitch
EAN/UPC 10 mil

Scalable
Bitmap
Bitmap
Scalable
Scalable
Bitmap
Bitmap

EAN/UPC 13 mil
USPS POSTNET
Euro and other currency symbols
Electrical symbols
Manufacturing symbols
Line Draw

Bitmap
Bitmap
Scalable
Scalable
Scalable
Bitmap

FOR ORDERING INFORMATION SEE SUPPLIES TABLE

PrintCryption™ Application Solution



High-level Security Protection for Business

Provides a higher level of security with minimal administrator support

Strengthens security for proprietary and confidential information when transmitted over a TCP/IP network

Supports secure key management protocols with session keys or persistent keys

Ideal for businesses handling sensitive or personal information, such as financial institutions, government agencies and healthcare organisations

AES encryption meets FIPS-197 requirements (Federal Information Processing Standard)

Lexmark has extended its technology leadership with the introduction of the Lexmark PrintCryption™ Application Solution designed to protect sensitive information as it is printed. The new Lexmark PrintCryption™ Application Solution delivers encryption and decryption capabilities for secure printing to Lexmark network printers. This new level of printing security is ideal for businesses handling highly confidential, personnel, financial, medical, technical or proprietary business information.

Product overview

The PrintCryption™ Solution provides corporate environments with strengthened printing security.

The new Lexmark PrintCryption™ Solution works with software from Levi, Ray and Shoup, Inc. (LRS), VPS/TCPIP 8.0 or later and VPS/Secure 8.0 or later, to provide encrypted, end-to-end print job security between common mainframe and Windows systems and wired or wireless Lexmark network printers.

A command line utility (DCP) is used to encrypt print jobs for Linux, Sun Solaris, HP-UX and IBM AIX.

Compatibility

The Lexmark PrintCryption™ Application Solution provides support for the Advanced Encryption Standard (Rijndael algorithm). The printer must be connected to the TCP/IP network using the standard Ethernet connection in the network printer models. Unique TCP/IP port numbers are used for the encrypted print information. The card decrypts and prints the information appropriate for the port.

The PrintCryption™ Application Solution for Lexmark multi-function devices and network printers is designed to provide security for proprietary and confidential documents.



PrintCryption document from PC



Printer enabled with PrintCryption



PACKAGE CONTENTS

- Lexmark PrintCryption™ Card
- Installation instruction sheet (French, German, Italian, Spanish, English and Portuguese)
- CD-ROM with the license agreement, README in PDF format and encryption software. Use selected UNIX and Windows system environment.
- Encryption software is included to secure and support print data sent from supported systems: Sun Solaris (7, 8, 9), Linux (Red Hat 7, 8, Caldera 3.1, SuSE 8), Microsoft Windows (98, Me, NT 4.0, 2000 and XP), *Apple Mac OS X, HP-LUX 10, 11, and *IBM AIX 4.3, 5.0.

EXPORT RESTRICTIONS

These products have been classified by the US Bureau of Industry and Security under ECCN 5D002 (c.1) as retail PrintCryption items exportable to certain countries under License Exception ENC, Section 740.17 (b) (3) of the Export Administration Regulations. These products are subject to U.S. export control laws and may be subject to export or import regulations in other countries. Licenses and approvals to export, re-export, or import this product may be required after delivery.

These products may not be exported or re-exported to any countries (or any nationals of such countries) that support international terrorism, including, but not limited to, Cuba, Iran, Iraq, Libya, North Korea, Sudan and Syria. These products may not be exported for use in the design, development, production or use of nuclear, biological or chemical weapons.

ORDERING INFORMATION

IPDS Application Solution



Affordable, Flexible Host-Based Printing

AFP/IPDS

Designed for AFP/IPDS to Lexmark network laser multifunction devices and printers.

Supported in both mono and color laser printers

Concurrent support for multiple datastreams

Supports resident scaleable fonts

Emulation of common IBM IPDS printers

The Affordable Application Solution

Lexmark Application Solution for IPDS is an inserted card that provides customers a way to print all types of output, host-based or client-based, on their network-attached Lexmark laser multifunction device or printer. With the Lexmark Card for IPDS businesses can use their multi-function devices and printers for both network printing and for IBM AS/400 or mainframe jobs. Printing bar codes, forms, publications and graphics can be done with ease. Now enterprises can realise the cost and time savings associated with true distributed printing.

Assured Compatibility

The Lexmark Application Solution for IPDS option for network-attached multifunction devices and printers provides IBM IPDS printer emulation. Without any changes to host applications or software, businesses will be able to direct their legacy output (AFP/IPDS) across your LANs using today's popular TCP/IP protocol. The solution is also compatible with applications that output AFP/IPDS through Print Services Facility (PSF).

Configuration Freedom

Maximise investment and productivity by locating your Lexmark multifunction device or printer whenever you need it, while maximising productivity. Thanks to Lexmark's SmartSwitch auto-emulation sensing built into almost all Lexmark printers, printers will automatically switch to the proper document language, whether it is IPDS, PostScript or PCL emulation.

NETWORK ATTACHMENT

Hardware

- Standard Ethernet (100BaseTX/10BaseT)
- Network printer port
- MarkNet N7000, N8100 series of network print servers, N8250, N8350
- MarkNet X2000 (AFP/IPDS only)

Software for AFP/IPDS Printing over

- TCP/IP PSF/MVS V2.2 or later
- PSF/MVS V3.1 or later
- PSF/VSE Version 2.2 with APAR/PTF: DY45247/UD51162
- PSF/VM Version 2.1 with APAR PQ39895 (PTF UQ45995)
- IBM iSeries or AS/400 OS/400 V3R1, V3R2, V3R6, V3R7, V4R1, V4R2, V4R3, V4R4, V5R1, V5R2 or later through PSF
- PSF for OS/2 (PSF/2) 2.0
- PSF for AIX (PSF/6000) 2.1 or later

ORDERING INFORMATION PLEASE SEE SUPPLIES TABLE

Lexmark Print Servers

Great reasons to connect with Lexmark!

Cost-efficiency

Network printing is smart for every businesses bottom line. By connecting your printer with a Lexmark print server, you can significantly boost workflow efficiency, drive down capital expenses, save money on supplies and consumables and reduce maintenance intervention.

Optimal performance

Now you can leverage all the power and performance of your Lexmark printer, no matter what type of network you have. You can also break free from cables with our 802.11n and 802.11g wireless print servers, which let you place your printers wherever they're most productive for your business.

Top-notch security

For greater peace of mind, Lexmark's N8100 and N8250 series are armed with the latest 802.1x authentication methods to ensure your applications are protected. Plus, our MarkNet N8150 802.11n or N8250 802.11b/g/n wireless print server offers WPA-Enterprise security for high-level data protection, password controls, user restrictions and much more.



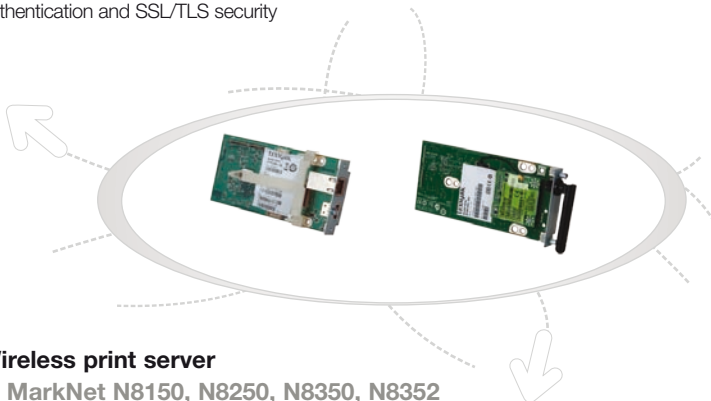
INTERNAL PRINT SERVERS

Boost business productivity by attaching your Lexmark devices directly to your network with one of these high-performance print servers. There's one for every need, including Gigabit Ethernet, Fiber, 802.11n and 802.11g wireless...

Gigabit Ethernet print server

Lexmark MarkNet N8120

- High-speed performance for Gigabit Ethernet networks
- Compatible with both Fast and Gigabit Ethernet networks
- 802.1X authentication and SSL/TLS security



802.11 Wireless print server

Lexmark MarkNet N8150, N8250, N8350, N8352

- Wi-Fi certified
- WPA-Enterprise security for high-level data protection
- Compatible with 802.11n/g/b (MarkNet N8150) and 802.11n/g/b (from MarkNet N8050 to MarkNet N8250) products

Simplified network management

Lexmark's internal and external print servers support Lexmark's award-winning MarkVision Professional software, which lets you manage your network of devices easily and effectively. MarkVision also provides proactive tools, such as automated email alerts for low toner and paper.

Very easy set-up

Whether you're working in a Windows or Mac environment, you can benefit from auto-discovery and zero configuration to be up and running quickly, with virtually no interruption to your business. You can also use the embedded Web server for hassle-free custom-configuration.

Flexible and future-proof

In addition to being compatible with multiple network types, Lexmark servers support most standards and applications, including TCP/IP, IPP, IPX/SPX and AppleTalk printing. For further investment protection, you can also upgrade easily to the latest features, using downloadable firmware updates.



EXTERNAL PRINT SERVERS

Lexmark's external print servers offer businesses an easy and affordable way to place a Lexmark or third-party laser, inkjet or dot matrix printer in just about any major network environment...

Fast Ethernet

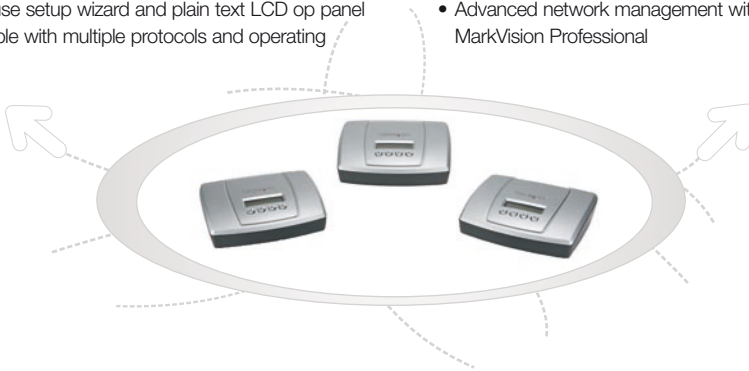
Lexmark MarkNet N7000e & N7002e

- Connect to Lexmark or third-party printers via Hi-Speed USB (MarkNet N7000e) or Parallel port (MarkNet N7002e)
- Easy to use setup wizard and plain text LCD on panel
- Compatible with multiple protocols and operating systems

Gigabit Ethernet

Lexmark MarkNet N7020e

- Connects to Lexmark or third-party printers via 4 Hi-Speed USB ports
- Printer pooling
- Advanced network management with MarkVision Professional



Lexmark Print Servers Internal Print Servers

| NETWORK CAPABILITIES | MARKNET N8100 SERIES | MARKNET N8250 | MARKNET N8350 & N8352 |
|---|----------------------|---------------|-----------------------|
| Network Printing Methods | | | |
| LPR/LPD | ● | ● | ● |
| Direct IP (Port 9100) | ● | ● | ● |
| Socket (Raw TCP/IP) | ● | ● | ● |
| IPP 1.0 (Internet Printing Protocol) | ● | ● | ● |
| IPP 1.1 | ● | ● | ● |
| HTTP | ● | ● | ● |
| Lexmark Enhanced TCP/IP Print Port (port 9400) | ● | ● | ● |
| NDS Queue-based printing | ● | ● | ● |
| NDS/NEPS (Novell Distributed Print Services, Novell Netware Enterprise Print Solutions) | ● | ● | ● |
| Browser Supported | | | |
| Microsoft Internet Explorer 5.x, 6.x (or later) | ● | ● | ● |
| Netscape Navigator 6.x, 7.x (or later) | ● | ● | ● |
| Apple Mac OS X Safari 1.0 (or later) | ● | ● | ● |
| Mozilla FireFox 1.0 (or later) | ● | ● | ● |
| Protocols | | | |
| TCP/IP (IPv4) | ● | ● | ● |
| NetWare (IPX/SPX) | ● | ● | ● |
| AppleTalk | ● | ● | ● |
| LexLink (DLC/LLC) | ● | ● | ● |
| IPv6 | ● | ● | ● |
| Advanced Security Features | | | |
| SSL Enabled Embedded Web Server | ● | ● | ● |
| SNMPv3 | ● | ● | ● |
| TCP/IP port access control | ● | ● | ● |
| Authenticated & encrypted MarkVision Professional communication | ● | ● | ● |
| 802.1x Authentication: MD5, MSCHAPv2, LEAP, PEAP, TLS, TTLS | ● | ● | ● |
| WEP Encryption (64- and 128-bit key) (Wireless only) | ● | ● | ● |
| WPA™/ WPA™2 - Personal Enterprise (Wireless only) | ● | ● | ● |
| MarkVision Supported | | | |
| | Yes | Yes | Yes |
| Upgradeable Firmware | | | |
| | Yes | Yes | Yes |

Specifications are subject to change without notice. Lexmark, Lexmark with diamond design is trademark of Lexmark International, Inc. registered in the United States and/or other countries. All other trademarks are the properties of their respective owners.

External Print Servers

| NETWORK CAPABILITIES | MARKNET N7000E | MARKNET N7002E | MARKNET N7020E |
|---|--------------------------|--|--------------------------|
| Network Printing Methods | | | |
| LPR/LPD | ● | ● | ● |
| Direct IP (Port 9100) | ● | ● | ● |
| IPP 1.0 | ● | ● | ● |
| IPP 1.1 | | | ● |
| HTTP | ● | ● | ● |
| Lexmark Enhanced TCP/IP Print Port (port 9400) | ● | ● | ● |
| NDS Queue-based printing | ● | ● | ● |
| NDPSP/NEPS (Novell Distributed Print Services, | | | ● |
| Novell Netware Enterprise Print Solutions) | ● | ● | ● |
| Browser Supported | | | |
| Microsoft Internet Explorer 5.x, 6.x (or later) | ● | ● | ● |
| Netscape Navigator 6.x, 7.x (or later) | ● | ● | ● |
| Apple Mac OS X Safari 1.0 (or later) | ● | ● | ● |
| Mozilla FireFox 1.0 (or later) | ● | ● | ● |
| Protocols | | | |
| TCP/IP (IPv4) | ● | ● | ● |
| IPv6 | ● | ● | ● |
| NetWare (IPX/SPX) | ● | ● | ● |
| AppleTalk | ● | ● | ● |
| Advanced Security Features | | | |
| SSL Enabled Embedded Web Server | ● | ● | ● |
| SNMPv3 | ● | ● | ● |
| TCP/IP port access control | ● | ● | ● |
| Authenticated & encrypted MarkVision Professional communication | ● | ● | ● |
| 802.1x Authentication: MD5, MSCHAPv2, LEAP, PEAP, TLS, TTLS | ● | ● | ● |
| WEP Encryption (64- and 128-bit key) | | | |
| WPA™ - Personal | | | |
| IPSec | ● | ● | ● |
| WPA™ - Enterprise | | | |
| Product Compatibility | | | |
| | All USB enabled printers | All USB enabled printers for MarkNet N7000e, and all parallel port printers for MarkNet N7002e | All USB enabled printers |
| MarkVision Supported | | | |
| | No | Yes | Yes |
| Upgradeable Firmware | | | |
| | Yes | Yes | Yes |

¹Availability based on specific models.

Lexmark Markvision Enterprise

Next-generation device management software keeps you in the know

Pro-active Monitoring

MarkVision Enterprise lets you centrally manage your entire fleet, whether you have a few devices or thousands. Lexmark testing was reliably conducted with up to 20,000 devices on a single server.

Maximize your investment

Reduce downtime with proactive event management. Stay ahead of issues with automatic alerts based on problem conditions, such as low consumable levels or error states.

New user interface

The user interface meshes outstanding functionality with a superb visual design to provide a user experience that is intuitive, consistent and very easy to use.

Drives costs down, agility up

Your organization demands high performance and high availability from its output fleet. Lexmark Markvision Enterprise helps you deliver.

Designed for IT

MarkVision Enterprise is a Web-enabled client server device management application designed for IT professionals. The server discovers and communicates with devices on your network, and provides the information to the client. The client displays the information through an intuitive, roles based interface so you can easily manage and report on your devices.

Be more efficient

Inside MarkVision Professional, the MarkVision Messenger listens for certain printer events to occur, then sends an alert automatically when that condition arises. It provides real-time notification of printer conditions via e-mail, paging or other applications. It also facilitates automated response to any alert before it becomes critical and disruptive to user productivity.

Make informed decisions

Robust reporting capabilities provide information on device makes, models, capabilities and usage statistics. Reports can be generated in PDF or CSV format for easy export and sharing.

Database-driven foundation

The database-driven foundation is ideal for saving and retrieving information about your fleet. System configuration data and other device information are saved to the database's persistent memory. For greater flexibility, you can locate the database on a remote server or on the server that hosts the Markvision Enterprise software.

Lexmark Markvision Enterprise is free browser-based software that gives you complete visibility into your entire fleet of network printers and multifunction devices regardless of manufacturer. The advanced, yet easy-to-use, toolset provides everything you need to efficiently discover, configure, monitor and manage devices throughout their lifecycle.



ROLE BASED DESIGN

Asset Manager

- Auto-discover devices
- Create discovery profiles
- Audit devices
- Search and group devices
- Track assets throughout their lifecycle
- Generate inventory reports

Asset Manager

- Listen for events in your fleet
- Automate your response

Policies

- Create reliable, flexible policies
- Automatically check devices
- Enforce policies
- Update firmware

Service Desk

- View the status
- View policy information
- Remotely interact

FEATURES SUPPORTED

RAM - Required: 1GB (2GB or more recommended)

Processor speed - Required: One physical 2GHz (3GHz or higher recommended)

Computer hard drive - At least 60GB available storage space and 1024x768 or greater screen resolution.

Supported operating systems

Windows

- 32-bit

Windows XP, Windows XP via VMWare ESX 3.5 U5, Windows XP via VMWare vSphere 4 U1, Windows Server 2003 R2, Windows Server 2003 R2 via VMWare ESX 3.5 U5, Windows Server 2003 R2 via VMWare vSphere 4 U1, Windows 7, Windows 7 via VMWare ESX 3.5 U5, and Windows 7 via VMWare vSphere 4 U1.

- 64-bit

Windows XP, Windows XP via VMWare ESX 3.5 U5, Windows XP via VMWare vSphere 4 U1, Windows Server 2003 R2, Windows Server 2003 R2 via VMWare ESX 3.5 U5, Windows Server 2003 R2 via VMWare vSphere 4 U1, Windows 7, Windows 7 via VMWare ESX 3.5 U5

Windows 7 via VMWare vSphere 4 U1, Windows Server 2008 R2 (aka Windows 7 Server), Windows Server 2008 R2 (aka Windows 7 Server) via VMWare ESX 3.5 U5, and Windows Server 2008 R2 (aka Windows 7 Server) via VMWare vSphere 4 U1

- Virtualization

-VMWare ESX 3.5 U5

-VMWare vSphere 4 U1

Note: Make sure you have installed the latest patches or updates for your operating system.

Supported Web browsers

- Microsoft Internet Explorer 7.x , 8.x and 9.x

- Mozilla Firefox 3.6.x

- Apple Safari 4.x, 5.0 (all platforms) and 5.1 (Mac only)

Note: The application requires Adobe Flash Player 10.0, which is not supported in 64-bit Web browsers. If you are using a 64-bit operating system, then you need to use a 32-bit Web browser to run the application.

Supported databases

- Firebird (included)

- Microsoft SQL Server 2005 and 2008

Note: The application supports only the 32-bit versions and comes with a pre-configured Firebird database.

NETWORK PRINTERS AND MFPS SUPPORTED

- Lexmark E46x
- Lexmark T64x, T65x
- Lexmark W84x, W85x
- Lexmark C52x, C53x
- Lexmark C73x, C74x, C78x, C79x
- Lexmark C92x, C93x, C95x
- Lexmark MS310, MS410, MS510, MS610, MS71x, MS81x
- Lexmark CS310, CS410, CS510

- Lexmark X20x, X422, X46x, X548, X65x, X73x, X74x, X782e, X792e
- Lexmark X85x, X86x, X92x, X94x, X95x
- Lexmark T650/T652/T654 with 6500e MFP option
- Lexmark T642/T644 C772, C78x with 4600 MFP
- Lexmark MX310, MX410, MX51x, MX61x, MX71x, MX81x
- Lexmark CX310, CX410, CX510

Lexmark Compatibility Table and Options

| DESCRIPTION | PART # | MODEL |
|--|---------|---|
| PAPER HANDLING | | |
| 2 x 500-Sheet Drawer | 15R0146 | W840/dn/n, W850dn/n, X850e, X860de |
| 2,000-Sheet High Capacity Feeder | 2752400 | C734dn/dn/dw/n, C736dn/dm/n, C746dn/dm/n, C748de/dte/e, X734de, X736de, X738de/dte, X746de, X748de/dte |
| 200-Sheet Lockable Universally Adjustable Tray with Drawer | 3060636 | T650dn/dm/n, T652nd/dm/n, T654dn/dm/n, T656dne, X651de, X652de, X654de, X656de/dte |
| 200-Sheet Universally Adjustable Tray with Drawer | 3060671 | T650dn/dm/n, T652nd/dm/n, T654dn/dm/n, T656dne, X651de, X652de, X654de, X656de/dte |
| 2000-Sheet Dual Input | 15R0120 | W840/dn/n, W850dn/n, X850e, X860de |
| 2000-Sheet High Capacity Feeder | 20B2700 | C772dn/dm/n, C782dn/dn, XL/dm/dtm, XL/n/n, XL |
| 2000-Sheet High Capacity Feeder | 22Z0015 | C950de, X950de, X952de, X954dte |
| 2000-Sheet High Capacity Feeder | 3060604 | T650dn/dm/n, T652nd/dm/n, T654dn/dm/n, T656dne, X651de, X652de, X654de, X656de/dte |
| 2000-Sheet High Capacity Feeder | 4780111 | C782de/dte/e, X792de |
| 2100-Sheet Tray | 4060604 | MS710dn, MS711dn, MS810de, MS810dn, MS810dtb, MS810n, MS811dn, MS811dtb, MS811n, MS812de, MS812dn, MS812dtm, MX710de/dte, MX711de/dte/dtde |
| 250-Sheet Drawer | 3060600 | T650dn/dm/n, T652nd/dm/n, T654dn/dm/n, T656dne, X651de, X652de, X654de, X656de/dte |
| 250-Sheet Drawer | 34S0250 | E260/d/dn, E360/d/dn, E460dn/dw, X264dn, X363dn, X364dn/dw, X463de, X464de, X466de/dwe |
| 250-Sheet Duplex Unit | 3060606 | T650n |
| 250-Sheet Lockable Drawer | 3060796 | T650dn/dm/n, T652nd/dm/n, T654dn/dm/n, T656dne, X651de, X652de, X654de, X656de/dte |
| 250-Sheet Lockable Tray | 4060620 | MS710dn, MS711dn, MS810de, MS810dn, MS810dtb, MS810n, MS811dn, MS811dtb, MS811n, MS812de, MS812dn, MS812dtm, MX710de/dte, MX711de/dte/dtde |
| 250-Sheet Tray | 35S0267 | MS310d, MS310dn, MS410d, MS410dn, MS510dn, MS510de, MS610dn, MS610de, MS610dtb, MX310dn, MX410de, MX510de, MX510de/dte, MX610de, MX611de/dte/dtde |
| 250-Sheet Tray | 4060600 | MS710dn, MS711dn, MS810de, MS810dn, MS810dtb, MS810n, MS811dn, MS811dtb, MS811n, MS812de, MS812dn, MS812dtm, MX710de/dte, MX711de/dte/dtde |
| 2520-Sheet High Capacity Feeder Stand | 21Z0304 | C955dn |
| 2520-Sheet Tandem Tray Module | 22Z0014 | C950de, X950de |
| 3500-Sheet Finisher (3-Hole) | 22Z0016 | C950de, X950de, X952de, X954dte |
| 3x520-Sheet Drawer Stand | 21Z0305 | C955dn |
| 3x520-Sheet Drawer Stand | 22Z0013 | C950de, X950de |
| 4-6in. Mailbox | 4060652 | MS710dn, MS711dn, MS810de, MS810dn, MS810dtb, MS810n, MS811dn, MS811dtb, MS811n, MS812de, MS812dn, MS812dtm |
| 4.3 in. (11 cm) Spacer | 4060654 | MS710dn, MS711dn, MS810de, MS810dn, MS810dtb, MS810n, MS811dn, MS811dtb, MS811n, MS812de, MS812dn, MS812dtm, MX710de/dte, MX711de/dte/dtde |
| 4.8 inch (12.2 cm) Spacer | 2752190 | C734dn/dn/dw/n, C736dn/dm/n, C746dn/dm/n, C748de/dte/e, X734de, X736de, X738de/dte, X746de, X748de/dte |
| 400-Sheet Lockable Universally Adjustable Tray with Drawer | 3060659 | T650dn/dm/n, T652nd/dm/n, T654dn/dm/n, T656dne, X651de, X652de, X654de, X656de/dte |

Lexmark Compatibility Table and Options

| DESCRIPTION | PART # | MODEL |
|---|---------|--|
| PAPER HANDLING | | |
| 400-Sheet Universally Adjustable Tray with Drawer | 3030960 | T650dn/dm/n, T652dn/dm/n, T654dn/dm/n, T656dn, X651 de, X652de, X654de, X656de/dte |
| 5 inch (12.7 cm) Spacer | 3030954 | T650dn/dm/n, T652dn/dm/n, T654dn/dm/n, T656dn, X651 de, X652de, X654de, X656de/dte |
| 5-Bin Mailbox | 2083000 | C772dn/dm/n, C782dn/dm, XU/dm/dm XL/n/n XL |
| 5-Bin Mailbox | 3030952 | T650dn/dm/n, T652dn/dm/n, T654dn/dm/n, T656dn |
| 5-Bin Mailbox | 4781101 | C792de/dhe/dte/e, X792de/dte |
| 500-Sheet Drawer | 2082300 | C770dn/n, C772dn/dm/n, C780dn/n, C782dn/dm XL/dm/dm XL/n/n XL |
| 500-Sheet Offset Stacker | 4781102 | C792de/dhe/dte/e, X792de/dte |
| 500-Sheet Staple Finisher | 4781103 | C792de/dhe/dte/e, X792de/dte |
| 500-Sheet Staple Hole Punch Finisher | 2082373 | C770dn/dm/n, C772dn/dm/n, C780dn/n, C782dn/dm XL/dm/dm XL/n/n XL, X772e, X782e/e XL |
| 500-Sheet Tray | 2220012 | C950de, X950de |
| 520-Sheet Drawer Stand | 09355dn | |
| 520-Sheet Drawer Stand with Cabinet | 2170307 | X688de/dte/dme/dte/dte/dtme |
| 550-Sheet Drawer | 16M1100 | C925de/dte, X925de |
| 550-Sheet Drawer | 2470030 | |
| 550-Sheet Drawer | 2752100 | C734dn/dm/dm/n, C736cm/dm/n, C746dm/dm/n, C748de/dte/e, X734de, X736de, X738de/dte, X746de, X748de/dte |
| 550-Sheet Drawer | 3064022 | C546dn, X546dn, X548de/dte |
| 550-Sheet Drawer | 3066109 | Pro715, Pro915 |
| 550-Sheet Drawer | 3069002 | T650dn/dm/n, T652dn/dm/n, T654dn/dm/n, T656dn, X651 de, X652de, X654de, X656de/dte |
| 550-Sheet Drawer | 3490550 | E260/dm, E360/dm, E460dn/dm, X264dn, X363dn, X364dn/dm, X463de, X464de, X466de/dme |
| 550-Sheet Drawer | 4780110 | C792de/dhe/e, X792de/dte/dte/dtme/dtpe/dtse |
| 550-Sheet Duo Drawer with 100-Sheet MPF | 3063958 | C540dn/n, C543dn, C544dn/dm/n, X543dn, X544dn/dm/n, X546de |
| 550-Sheet Duo Tray with 100-Sheet Feeder | 3800026 | CS110dn/n, CS410dn/n, CS110de, CX310dn/n, CX410de/e, CX310de/dhe |
| 550-Sheet Lockable Drawer | 3030949 | T650dn/dm/n, T652dn/dm/n, T654dn/dm/n, T656dn, X651 de, X652de, X654de, X656de/dte |
| 550-Sheet Lockable Tray | 4030822 | MS710dn, MS711 dn, MS810de, MS810dn, MS810dn, MS811dn, MS811dn, MS811dn, MS812de, MS812dn, MS812dn, MS812de/dhe, MX711de/dhe/dtde |
| 550-Sheet Specialty Media Drawer | 2752950 | C734dn/dm/dm/n, C736cm/dm/n, C746dm/dm/n, C748de/dte/e, X734de, X736de, X738de/dte, X746de, X748de/dte |
| 550-Sheet Tray | 2477300 | MM810de/dte/dme/dte/dte/dtme, MM811 de/dte/dme/dte/dte/dtme, MM812de/dte/dme/dte/dtme, MM812de/dte/dme/dte/dtme |
| 550-Sheet Tray | 3065077 | OfficeEdge |
| 550-Sheet Tray | 3530967 | MS310d, MS310dn, MS410d, MS410dn, MS510dn, MS510de, MS610dn, MS610de, MX310dn, MX410de, MX510de, MX511de/dhe/dtde, MX610de, MX811de/dhe/dtde |
| 550-Sheet Tray | 3800636 | CS410dn/dm/n, CS510de/dte, CX410de/dte, CX310de/dhe/dtde |

Lexmark Compatibility Table and Options

| PAPER HANDLING | | DESCRIPTION | PART # | MODEL |
|---------------------------------|--|-------------|---------|---|
| 550-Sheet Tray | | | 4030602 | MS710dn, MS711dn, MS810de, MS8110dn, MS810de, MS8110dn, MS8110dn, MS812dn, MS812de, MS812dn, MS811n, MS811dn, MS8110dn, MS8110dn, MS812dn, MS812de, MS812dn, MS811de/dhe/dtfe |
| Adjustable Output Label Support | | | 2061360 | T640/dn/dtn/n/n, T642/dtn/n/n, T644/dn/n/n/n |
| Automatic Sheet Feed (narrow) | | | 1210683 | 2490, 2490, 2590+/n/n/+, 2590+/n/n/+ |
| Automatic Sheet Feed (wide) | | | 1210694 | 2491, 2491, 2591+/n/n/+, 2591+/n/n/+, 4227 plus |
| Banner Media Tray | | | 2065000 | C772dn/dn/n, C782/dn/dn XL/dn/dtm XL/n/n XL, X772e, X782e/e XL |
| Banner Media Tray | | | 4780113 | C782de/dhe/dtfe |
| Banner Media Tray | | | 4780118 | X782de/dhe |
| Booklet Finisher (2/3-Hole) | | | 15R0335 | X850e, X852e, X854e, X860de, X862de, X864dhe |
| Booklet Finisher (3-Hole) | | | 2120369 | C935dn/dn/dtn/n/dn, X940de, X945e |
| Booklet Finisher (3-Hole) | | | 2220017 | C950de, X950de, X952de, X954dhe |
| Cut Sheet Output Support Stand | | | 1210687 | 2490, 2491, 2490, 2491, 2590+/n/n/+, 2591+/n/n/+, 2590+/n/n/+, 2591+/n/n/+ |
| Duplex Unit | | | 2062400 | C770n, C772n, C780n, C782n/n XL |
| Duplex Unit | | | 2540015 | W840/n, W850n |
| Envelope Drawer | | | 1023100 | C782dn/dn XL/dn/dm XL/n/n XL |
| Envelope Feeder | | | 3060607 | T650dn/dn/n, T652dn/dtn/n, T654dn/dm/n, X658de/dtfe/dme/dtfe/dtfe/dtme |
| Finisher (2/3-Hole) | | | 15R0144 | W840/dn/n, W850dn/n, X850e, X852e, X854e, X860de, X862de, X864dhe |
| High Capacity Feeder | | | 15R0145 | W840/dn/n, W850dn/n, X850e, X852e, X854e, X860de, X862de, X864dhe |
| High Capacity Output Expander | | | 4030653 | MS710dn, MS711dn, MS810de, MS8110dn, MS810dn, MS811dn, MS811dn, MS811n, MS812de, MS812dn, MS812dn |
| High Capacity Output Stacker | | | 3060663 | T650dn/dn/n, T652dn/dtn/n, T654dn/dm/n, T656dne |
| In-line Stapler | | | 3538000 | M0610de, M0611de/dhe/dtfe |
| Outdoor Media Drawer | | | 2063340 | C772dn/dn/n, C782/dn/dn XL/dn/dtm XL/n/n XL |
| Output Expander | | | 2063060 | C772dn/dn/n, C782/dn/dn XL/dn/dtm XL/n/n XL |
| Output Expander | | | 3060651 | T650dn/dn/n, T652dn/dtn/n, T654dn/dm/n, T656dne |
| Output Expander | | | 4030651 | MS710dn, MS711dn, MS810de, MS8110dn, MS810dn, MS811dn, MS811dn, MS811n, MS812de, MS812dn, MS812dn |
| Pro301 150-Sheet Paper Tray | | | 3036647 | Pinmade Pro301 |
| Spacer | | | 4780112 | C782de/dhe/e, X792de/dtfe/dtfe/dtme/dtpe/dtse |
| Staple Finisher | | | 4030650 | MS710dn, MS711dn, MS810de, MS8110dn, MS810dn, MS811dn, MS811dn, MS811n, MS812de, MS812dn, MS812dn |
| StapleSmart Finisher | | | 2063060 | C772dn/dn/n, C782/dn/dn XL/dn/dtm XL/n/n XL |
| StapleSmart II Finisher | | | 3060650 | T650dn/dn/n, T652dn/dtn/n, T654dn/dm/n, T656dne |
| Tractor 2 | | | 13L0210 | 4227 plus |

Lexmark Compatibility Table and Options

| DESCRIPTION | PART # | MODEL |
|---------------------------------------|---------|---|
| PAPER HANDLING | | |
| Tractor 2 (narrow) | 1210685 | 2490, 2490+, 2580+/n/n/+, 2590+/n/n/+ |
| Tractor 2 (wide) | 1210686 | 2491, 2491+, 2581+/n/n/+, 2591+/n/n/+ |
| FURNITURE | | |
| Adjustable Printer Stand | 3538502 | CS310dn/n, CS410dn/dtm/n, CS510de/dte, CX310dn/n, CX410de/dte/n, CX510de/dte/dthe, MS510dn, MS510de, MS610dn, MS610de/dthe, MS510de/dthe/dthe, MS510de, MS511de/dhe/dthe, MS511de/dhe/dthe |
| Cabinet Stand | 2120306 | 6955dn |
| Cabinet with casters | 2420031 | C955de/dte, X955de |
| Caster Base | 16M1207 | T650dn/dm/n, T652dn/dm/n, T654dn/dm/n, T656dhe |
| Caster Base | 16M1210 | C734dn/dm/dw/n, C736dn/dm/n, X734de, X736de, X738de/dte |
| Caster Base | 34T5114 | C746dn/dm/n, C748de/dte/e, X748de/dte |
| Caster Base | 4030855 | MS710dn, MS711dn, MS810de, MS810dn, MS810dh, MS810h, MS811dn, MS811dh, MS811dn, MS811dh, MS812de, MS812dn, MS812dn, MS812dn/n, MS812dn/n/n, MS812dn/n/n, MS812dn/n/n |
| Caster Base | 4780114 | C782de/dte/e, X792de |
| Caster Base Cover | 24T9004 | X6580de/dte/dm/dte/dthe/dthe |
| Kiosk Presenter | 3050775 | T650dn/dm/n, T652dn/dm/n, T654dn/dm/n |
| MFP Caster Base | 16M1216 | X651de, X652de, X654de, X656de/dte |
| Printer Cabinet | 1580140 | W890/dm/n, W850dn/n, X850de, X860de |
| Printer Stand | 16M1708 | C780/dm/dtm/n, C782/dm/dtm/n, C772dn/dm/n, C772dn/dm/n, C780dn/n, C782dn/dm/n, C782dn/dm/n XL/n/n XL, X4500 MFP Option |
| Scanner Shelf | 21J0055 | 4600 MFP Option C772n, 4600 MFP Option C782, C782 XL, C772dn/dm/n, C782dn/dm/n XL |
| Scanner Stand with Cabinet | 16C0700 | 4600 MFP Option C772n, 4600 MFP Option C782, C782 XL, 4600 MFP Option T642n, T644n, C772dn/dm/n, C782dn/dm/n, C782dn/dm/n XL, T642dn/n/n, T644dn/n/n |
| Swivel Cabinet | 3052765 | C546dn, C734dn/dm/dw/n, C736dn/dm/n, C746dn/dm/n, C748de/dte/e, T650dn/dm/n, T652dn/dm/n, T654dn/dm/n, T656dhe, X656de/dte, X734de, X736de, X738de/dte, X746de, X748de/dte |
| Swivel Cabinet | 3073773 | CS310dn/n, CS410dn/dtm/n, CS510de/dte, CX310dn/n, CX410de/dte/n, CX510de/dte/dthe, MS510dn, MS510de, MS610dn, MS610de, MS710dn, MS711dn, MS810de, MS810dn, MS810dh, MS810h, MS811dn, MS811dh, MS811dn, MS811dh, MS812de, MS812dn, MS812dn, MS812dn/n, MS812dn/n/n, MS812dn/n/n, MS812dn/n/n |
| MFP OPTIONS | | |
| Lexmark 4600 MFP Option C782, C782 XL | 21J0401 | C782dn/dm XL/dm/dm XL/n/n XL |
| MarkNet N8110 V34 Fax Card | 3735725 | X463de, X651de, X660de, X862de, X864de |

Lexmark Compatibility Table and Options

| DESCRIPTION | | PART # | MODEL |
|------------------------------|---------|--|-------|
| APPLICATION SOLUTIONS | | | |
| Card for IPS | 2420039 | C955de/dte | |
| Card for PDS | 2420042 | X925de | |
| Card for PDS | 2660051 | X548de/dte | |
| Card for PDS | 3454501 | MS610de, MS610dte | |
| Card for PDS | 3475121 | X746de, X746de/dte | |
| Card for PDS | 3552883 | MS510dn, MS510dn, MS610dn | |
| Card for PDS | 3559889 | MX410de, MX510de, MX311de/dte/dte | |
| Card for PDS | 3559951 | MX610de, MX611de/dte/dte | |
| Card for PDS | 4030611 | MS710dn, MS711dn, MS810dn, MS810dn, MS811dn, MS811dn, MS812dn, MS812dn | |
| Card for PDS | 4030631 | MS810de | |
| Card for PDS | 4030641 | MS812de | |
| Card for PDS | 4160195 | C746dn/dtn/n | |
| Card for PDS | 4160198 | C746de/dte/e | |
| Card for PDS | 4781111 | X792de/dte/dte/dtpe/dtse | |
| Card for PDS | 4781114 | C792de/dte/dte/e | |
| Card for PDS and SCS/7/te | 1020401 | C780dn/n, C782dn/dn, XLU/dtn/dtn/XL/n/n XL | |
| Card for PDS and SCS/7/te | 16M1254 | X651de, X652de, X654de, X656de/dte, X659de/dte/dte/dte/dte/dtme | |
| Card for PDS and SCS/7/te | 21U0579 | X782e/e XL | |
| Card for PDS and SCS/7/te | 21Z0364 | C935dn/dtn/dtn/hdn | |
| Card for PDS and SCS/7/te | 21Z0368 | X940e, X945e | |
| Card for PDS and SCS/7/te | 3060232 | T656de | |
| Card for PDS and SCS/7/te | 3060635 | T654dn/dtn/n | |
| Card for PDS/6/CS/7/te | 19Z0031 | X860de, X862de, X864de | |
| Card for PDS/6/CS/7/te | 19Z0033 | W850dn/n | |
| Card for PDS/6/CS/7/te | 2520434 | C734dn/dtn/dw/n, C736dn/dtn/n | |
| Card for PDS/6/CS/7/te | 3060631 | T650dn/dtn/n, T652dn/dtn/n | |
| Card for PDS/6/CS/7/te | 3450074 | E460dn/dw, E462dn | |
| Card for PDS/6/CS/7/te | 3457720 | X4634e, X4644de, X4666de/dte/dtwe | |
| Card for PDS/6/CS/7/te | MS00488 | X734de, X736de, X738de/dte | |
| Card for PRESCRIBE Emulation | 10Z0404 | C780dn/n, C782dn/dn, XLU/dtn/dtn/XL/n/n XL | |
| Card for PRESCRIBE Emulation | 16J0636 | 6500e MFP Option | |

Lexmark Supplies

Your Printer's Best Friend



Supplies

Compatibility Table

April 2013
North America

LEXMARK MONO LASER SUPPLIES



| Printer Models | Return Program Cartridges | | | | Regular Cartridges | | | Other Supplies | |
|---------------------------------------|--|---|--|--------------------------------|---|--|--------------------------------------|---------------------------|---|
| | Extra High Yield Print/ Toner Cartridge | High Yield Print/ Toner Cartridge | Print/ Toner Cartridge | Label Print/Toner Cartridge | Extra High Yield Print/ Toner Cartridge | High Yield Print/ Toner Cartridge | Print/ Toner Cartridge | Staples | Photo-conductor/ Imaging Unit |
| Lexmark 4039 10plus, Optra/plus | | | | | | 1382150 14,000 pages ¹ | 1382100 7,000 pages ¹ | | |
| Lexmark E120n | | | 12015SA 2,000 pages ² | | | | 12035SA 2,000 pages ² | | 12026KW 25,000 pages ² |
| Lexmark E210 | | | | | | | 10S0150 2,000 pages ² | | |
| Lexmark E220 | | | 12S0400 2,500 pages ² | | | | 12S0300 2,500 pages ² | | |
| Lexmark E230, E232t, E234n/n, E240n/t | | | 24015SA 2,500 pages ² | | | | 24035SA 2,500 pages ² | | 12A8302 30,000 pages ² |
| Lexmark E238 | | | 23800SW 2,000 pages ² | | | | 23820SW 2,000 pages ² | | 12A8302 30,000 pages ² |
| Lexmark E250d/dn | | | E250A11A 3,500 pages ² | | | | E250A21A 3,500 pages ² | | E250X22G 30,000 pages ² |
| Lexmark E260d/dn | | | E260A11A 3,500 pages ² | | | | E260A21A 3,500 pages ² | | E260X22G 30,000 pages ² |
| Lexmark E320, E322n | | 08A0478 6,000 pages ² | 08A0476 3,000 pages ² | | | 08A0477 6,000 pages ² | 08A0475 3,000 pages ² | | |
| Lexmark E321t, E323n/t | 12A7405 6,000 pages ² | 12A7400 3,000 pages ² | 12A7400 3,000 pages ² | | | 12A7305 6,000 pages ² | 12A7300 3,000 pages ² | | |
| Lexmark E330, E332n/n, E340, E342n | 34015HA 6,000 pages ² | 24015SA 2,500 pages ² | 24015SA 2,500 pages ² | | | 34035HA 6,000 pages ² | 24035SA 2,500 pages ² | | 12A8302 30,000 pages ² |
| Lexmark E350d, E352dn | | E352H11A 9,000 pages ² | E250A11A 3,500 pages ² | | | E352H21A 9,000 pages ² | E250A21A 3,500 pages ² | | E250X22G 30,000 pages ² |
| Lexmark E360d/dn | | E360H11A 9,000 pages ² | E260A11A 3,500 pages ² | | | E360H21A 9,000 pages ² | E260A21A 3,500 pages ² | | E260X22G 30,000 pages ² |
| Lexmark E450dn | | E450H11A 11,000 pages ² | E450A11A 6,000 pages ² | | | E450H21A 11,000 pages ² | E450A21A 6,000 pages ² | | E250X22G 30,000 pages ² |
| Lexmark E460dn/dw | E460X11A 15,000 pages ² | E360H11A 9,000 pages ² | E260A11A 3,500 pages ² | | E460X21A 15,000 pages ² | E360H21A 9,000 pages ² | E260A21A 3,500 pages ² | | E260X22G 30,000 pages ² |
| Lexmark E462dn | E462U11A 18,000 pages ² | E360H11A 9,000 pages ² | E260A11A 3,500 pages ² | | E462U21G 18,000 pages ² | E360H21A 9,000 pages ² | E260A21A 3,500 pages ² | | E260X22G 30,000 pages ² |
| Lexmark MS310d/dn | | 501H 50F1100 5,000 pages ² | 501 50F1000 1,500 pages ² | | | 500HA 50F1040 5,000 pages ² | | | 500Z 50F0Z00 60,000 pages ² 500ZA 50F0Z40 60,000 pages ² |
| Lexmark MS410d/dn | 501X 50F1100 10,000 pages ² | 501H 50F1100 5,000 pages ² | 501 50F1000 1,500 pages ² | | 500XA 50F0X40 10,000 pages ² | | | | 500Z 50F0Z00 60,000 pages ² 500ZA 50F0Z40 60,000 pages ² |
| Lexmark MS510dn, MS610de/dn/dte/dtn | 501U 50F1100 20,000 pages ² 501X 50F1100 10,000 pages ² | 501H 50F1100 5,000 pages ² | 501 50F1000 1,500 pages ² | | 500UA 50F0U40 20,000 pages ² | | | | 500Z 50F0Z00 60,000 pages ² 500ZA 50F0Z40 60,000 pages ² |
| Lexmark MS710dn, MS711dn | | 521HL 52D1H0L 25,000 pages ² | | | | | | 25A0013 15,000 per box | 520Z 52D0Z00 100,000 pages ² 520ZA 52D0Z40 100,000 pages ² |

LEXMARK MONO LASER SUPPLIES



| Printer Models | Return Program Cartridges | | | | Regular Cartridges | | | Other Supplies | |
|---|--|----------------------------------|-------------------------------|-----------------------------|--|--|---|---------------------------|---|
| | Extra High Yield Print/Toner Cartridge | High Yield Print/Toner Cartridge | Print/Toner Cartridge | Label Print/Toner Cartridge | Extra High Yield Print/Toner Cartridge | High Yield Print/Toner Cartridge | Print/Toner Cartridge | Staples | Photo-conductor/Imaging Unit |
| Lexmark MS710dn, MS810de/dn/dtn/n | | | | | | 520HA 520HA0 25,000 pages* | | 25A0013 15,000 per box | 520Z 520Z00 100,000 pages* 520ZA 520ZA0 100,000 pages* |
| Lexmark MS711dn | 521XL 521XL0 46,000 pages* | | | | 520XA 520XA0 45,000 pages* | | | 25A0013 15,000 per box | 520Z 520Z00 100,000 pages* 520ZA 520ZA0 100,000 pages* |
| Lexmark MS810de/dn/dtn/n | | 521H 521H00 25,000 pages* | 521 521000 6,000 pages* | | | | | 25A0013 15,000 per box | 520Z 520Z00 100,000 pages* 520ZA 520ZA0 100,000 pages* |
| Lexmark MS811dn/dtn/n, MS812de/dn/dtn | 521X 521X00 46,000 pages* | 521H 521H00 25,000 pages* | 521 521000 6,000 pages* | | 520XA 520XA0 45,000 pages* | | | 25A0013 15,000 per box | 520Z 520Z00 100,000 pages* 520ZA 520ZA0 100,000 pages* |
| Lexmark MX310dn, MX410de | | 601H 601H00 10,000 pages* | 601 601000 2,500 pages* | | | 600HA 600HA0 10,000 pages* | | | 500Z 500Z00 60,000 pages* 500ZA 500ZA0 60,000 pages* |
| Lexmark MX510de, MX511de/dhe/dte | 601X 601X00 20,000 pages* | 601H 601H00 10,000 pages* | 601 601000 2,500 pages* | | 600XA 600XA0 20,000 pages* | | | | 500Z 500Z00 60,000 pages* 500ZA 500ZA0 60,000 pages* |
| Lexmark MX610de, MX611de/dhe/dte | 601X 601X00 20,000 pages* | 601H 601H00 10,000 pages* | 601 601000 2,500 pages* | | 600XA 600XA0 20,000 pages* | | | 35S8500 5,000 per box | 500Z 500Z00 60,000 pages* 500ZA 500ZA0 60,000 pages* |
| Lexmark MX710de/dhe | | 621H 621H00 25,000 pages* | 621 621000 6,000 pages* | | | 620HA 620HA0 25,000 pages* | | | 520Z 520Z00 100,000 pages* 520ZA 520ZA0 100,000 pages* |
| Lexmark MX711de/dhe/dthe, MX810de/dfe/dme/dte/dtfe/dtme/dxe/dxfe/dxme, MX811de/dfe/dme/dte/dtfe/dtme/dxe/dxfe/dxme, MX812de/dfe/dme/dte/dtfe/dtme/dxe/dxfe/dxme | 621X 621X00 45,000 pages* | 621H 621H00 25,000 pages* | 621 621000 6,000 pages* | | 620XA 620XA0 45,000 pages* | | | | 520Z 520Z00 100,000 pages* 520ZA 520ZA0 100,000 pages* |
| Lexmark MX810de/dtfe/dxfe, MX811de/dtfe/dtfe/dtfe/dtme/dxe/dxfe/dxme, MX812de/dtfe/dtfe/dtfe/dtme/dxe/dxfe/dxme | | | | | | | | 25A0013 15,000 per box | |
| Lexmark Optra M410/M410n | | | | | | 17G0154 15,000 pages* 4K00199 10,000 pages* | 17G0152 5,000 pages* | | |
| Lexmark Optra M412/M412n | | | | | | 17G0154 15,000 pages* 13E2625 17,800 pages* 12A5745 25,000 pages* 12A7315 10,000 pages* | 17G0152 5,000 pages* 13E2620 7,200 pages* 12A5740 10,000 pages* 12A6320 6,800 pages* | | |
| Lexmark Optra S 1250/S 1255/S 1620/S 1625/S 1650/S 1855/S 2420/S 2450/S 2455 | | 13E2925 17,800 pages* | 13E2920 7,200 pages* | 13E2929 17,800 pages* | | | | | |
| Lexmark Optra T610/T610n/T612/T614/T614n/T614nl/T616/T616n | | 12A5845 25,000 pages* | 12A5840 10,000 pages* | 12A5849 25,000 pages* | | 12A5745 25,000 pages* 12A7315 10,000 pages* | 12A5740 10,000 pages* 12A6320 6,800 pages* | | |
| Lexmark T420/dn | | 12A7415 10,000 pages* | 12A7410 5,000 pages* | | | 12A7315 10,000 pages* 12A6325 12,000 pages* | 12A7310 5,000 pages* 12A6320 6,800 pages* | | |
| Lexmark T430/dn | | 12A8425 12,000 pages* | 12A8420 6,000 pages* | | | 12A6325 12,000 pages* 12A6735 20,000 pages* | 12A6320 6,800 pages* 12A6730 7,500 pages* | | |
| Lexmark T520/dn/n, T522/dn/n, X520, X522/S | | 12A6835 20,000 pages* | 12A6830 7,500 pages* | 12A6839 20,000 pages* | | | | | |
| Lexmark T620/dn/n, T622/dn/n, T630/dn/n | | | | | | | | 11K3188 3,000 per box | |
| Lexmark T620/dn/n, T622/dn/n, X620e | | 12A6865 30,000 pages* | 12A6860 10,000 pages* | 12A6869 30,000 pages* | | 12A6765 30,000 pages* 12A7362 21,000 pages* | 12A6760 10,000 pages* 12A7360 5,000 pages* | | |
| Lexmark T630/VE/dn/n VE, X630 | | 12A7462 21,000 pages* | 12A7460 5,000 pages* | 12A7468 21,000 pages* | | | | | |

SUPPLIES

LEXMARK MONO LASER SUPPLIES



| Printer Models | Return Program Cartridges | | | | Regular Cartridges | | | Other Supplies | |
|--|---|---|---|---|---|---|---|--|---|
| | Extra High Yield Print/Toner Cartridge | High Yield Print/Toner Cartridge | Print/Toner Cartridge | Label Print/Toner Cartridge | Extra High Yield Print/Toner Cartridge | High Yield Print/Toner Cartridge | Print/Toner Cartridge | Staples | Photo-conductor/Imaging Unit |
| Lexmark T632/dtn/dtn/n, T634/dtn/dtn/n/n, X632/e/s, X634dte/e | 12A7465 32,000 pages ⁽¹⁾ | 12A7462 21,000 pages ⁽²⁾ | 12A7460 5,000 pages ⁽³⁾ | 12A7468 21,000 pages ⁽⁴⁾ | 12A7365 32,000 pages ⁽¹⁾ | 12A7362 21,000 pages ⁽²⁾ | 12A7360 5,000 pages ⁽³⁾ | 11K1388 9,000 per box | |
| Lexmark T640/dn/dtn/n/n, T642/dtn/n/n | | 64015HA 21,000 pages ⁽²⁾ | 64015SA 6,000 pages ⁽³⁾ | 64004HA 21,000 pages ⁽⁴⁾ | | 64039HA 21,000 pages ⁽²⁾ | 64035SA 6,000 pages ⁽³⁾ | 11K1388 9,000 per box | |
| Lexmark T644/dtn/n/n | 64415XA 32,000 pages ⁽¹⁾ | 64015HA 21,000 pages ⁽²⁾ | 64015SA 6,000 pages ⁽³⁾ | 64004HA 21,000 pages ⁽⁴⁾ | 64435XA 32,000 pages ⁽¹⁾ | 64039HA 21,000 pages ⁽²⁾ | 64035SA 6,000 pages ⁽³⁾ | 11K1388 9,000 per box | |
| Lexmark T650dn/dtn/n, T652dn/dtn/n | | T650H11A 25,000 pages ⁽²⁾ | T650A11A 7,000 pages ⁽³⁾ | T650H04A 25,000 pages ⁽⁴⁾ | | T650H21A 25,000 pages ⁽²⁾ | T650A21A 7,000 pages ⁽³⁾ | 25A0013 15,000 per box | |
| Lexmark T654dn/dtn/n, T656dne, T656dhe | T654X11A 36,000 pages ⁽¹⁾ | T650H11A 25,000 pages ⁽²⁾ | T650A11A 7,000 pages ⁽³⁾ | T650H04A 25,000 pages ⁽⁴⁾ | T654X21A 36,000 pages ⁽¹⁾ | T650H21A 25,000 pages ⁽²⁾ | T650A21A 7,000 pages ⁽³⁾ | 25A0013 15,000 per box | |
| Lexmark W812/dtn/n | | | | | | | 14K0050 12,000 pages ⁽¹⁾ | | |
| Lexmark W820/dn/n, X820e | | | | | | | 12B0090 30,000 pages ⁽¹⁾ | 12L0252 15,000 per box | |
| Lexmark W840/dn/n | | | | | | W84020H 30,000 pages ⁽¹⁾ | | 25A0013 15,000 per box | W84030H 60,000 pages ⁽¹⁾ |
| Lexmark W850dn/n | | | | | | W850H21G 33,000 pages ⁽¹⁾ | | 25A0013 15,000 per box | W850H22G 60,000 pages ⁽¹⁾ |
| Lexmark X204n | | | X203A11G 2,500 pages ⁽¹⁾ | | | | X203A21G 2,500 pages ⁽¹⁾ | | X203H22G 30,000 pages ⁽¹⁾ |
| Lexmark X215 | | | | | | | 18S0090 3,200 pages ⁽¹⁾ | | |
| Lexmark X264dn, X363dn, X364dn/dw | | X264H11G 9,000 pages ⁽¹⁾ | X264A11G 3,500 pages ⁽²⁾ | | | X264H21G 9,000 pages ⁽¹⁾ | X264A21G 3,500 pages ⁽²⁾ | | E260X22G 30,000 pages ⁽¹⁾ |
| Lexmark X340/n | | | X340A11G 2,500 pages ⁽¹⁾ | | | | X340A21G 2,500 pages ⁽¹⁾ | | X340H22G 30,000 pages ⁽¹⁾ |
| Lexmark X342n | | X340H11G 6,000 pages ⁽¹⁾ | X340A11G 2,500 pages ⁽²⁾ | | | X340H21G 6,000 pages ⁽¹⁾ | X340A21G 2,500 pages ⁽²⁾ | | X340H22G 30,000 pages ⁽¹⁾ |
| Lexmark X422 | | 12A4715 12,000 pages ⁽¹⁾ | 12A4710 6,000 pages ⁽²⁾ | | | 12A3715 12,000 pages ⁽¹⁾ | 12A3710 6,000 pages ⁽²⁾ | | |
| Lexmark X463de, X464de, X466de/dte/dwe | X463X11G 15,000 pages ⁽¹⁾ | X463H11G 9,000 pages ⁽²⁾ | X463A11G 3,500 pages ⁽³⁾ | | X463X21G 15,000 pages ⁽¹⁾ | X463H21G 9,000 pages ⁽²⁾ | X463A21G 3,500 pages ⁽³⁾ | | E260X22G 30,000 pages ⁽¹⁾ |
| Lexmark X642e | | X644H11A 21,000 pages ⁽²⁾ | X644A11A 10,000 pages ⁽³⁾ | X644H01A 21,000 pages ⁽⁴⁾ | | X644H21A 21,000 pages ⁽²⁾ | X644A21A 10,000 pages ⁽³⁾ | | |
| Lexmark X644e, X646dte/e/ef | X644X11A 32,000 pages ⁽¹⁾ | X644H11A 21,000 pages ⁽²⁾ | X644A11A 10,000 pages ⁽³⁾ | X644H01A 21,000 pages ⁽⁴⁾ | X644X21A 32,000 pages ⁽¹⁾ | X644H21A 21,000 pages ⁽²⁾ | X644A21A 10,000 pages ⁽³⁾ | 11K1388 9,000 per box | |
| Lexmark X651de, X652de | | X651H11A 25,000 pages ⁽²⁾ | X651A11A 7,000 pages ⁽³⁾ | X651H04A 25,000 pages ⁽⁴⁾ | | X651H21A 25,000 pages ⁽²⁾ | X651A21A 7,000 pages ⁽³⁾ | | |
| Lexmark X654de, X656dte/dte, X658dte/dfe/dme/dte/dfe/dtfe | X654X11A 36,000 pages ⁽¹⁾ | X651H11A 25,000 pages ⁽²⁾ | X651A11A 7,000 pages ⁽³⁾ | X651H04A 25,000 pages ⁽⁴⁾ | X654X21A 36,000 pages ⁽¹⁾ | X651H21A 25,000 pages ⁽²⁾ | X651A21A 7,000 pages ⁽³⁾ | 25A0013 15,000 per box | |
| Lexmark X850e/e VE3/e VE4, X852e, X854e | | | | | | X850H21G 30,000 pages ⁽¹⁾ | | 21Z0357 20,000 per box ⁽¹⁾ | X850H22G ⁽¹⁾ |
| Lexmark X860de, X862dte, X864dhe | | | | | | X860H21G 35,000 pages ⁽¹⁾ | | 21Z0357 20,000 per box ⁽¹⁾ | X860H22G ⁽¹⁾ |

Cartridges are designed for use in a specific geographical region. See www.lexmark.com/regions for more details.

(1) Based on approximately 5% print coverage. (2) Use and return empty only to Lexmark. Average standard page yield value in one-sided (simplex) mode declared in accordance with ISO/IEC 19752. (3) Actual Yield may vary based on factors such as number of pages per print job, device speed, paper size and feed orientation, toner coverage, tray source, percentage of black-only printing and average print job complexity. (4) Average standard page yield value in one-sided (simplex) mode declared in accordance with ISO/IEC 19752. (5) Photoconductor maximum yield estimate based on 3 average letter/A4-size pages per print job. Actual Yield may vary based on other factors such as device speed, paper size and feed orientation, toner coverage, tray source, percentage of black-only printing and average print job complexity. (6) Return Program. Imaging unit maximum yield estimate based on 3 average letter/A4-size pages per print job at approximately 5% coverage. Actual Yield may vary based on other factors such as device speed, paper size and feed orientation, toner coverage, tray source, percentage of black-only printing and average print job complexity. (7) Regular. Imaging unit maximum yield estimate based on 3 average letter/A4-size pages per print job at approximately 5% coverage. Actual Yield may vary based on other factors such as device speed, paper size and feed orientation, toner coverage, tray source, percentage of black-only printing and average print job complexity. (8) Based on approximately 5% print coverage. Use and return empty only to Lexmark. (9) Based on approximately 5% print coverage at comparable industry setting (toner darkness setting 5). (10) Based on approximately 5% print coverage at comparable industry setting (toner darkness setting 5). Use and return empty only to Lexmark. (11) Photoconductor maximum yield estimate based on 6 average letter/A4-size pages per print job. Actual Yield may vary based on other factors such as device speed, paper size and feed orientation, toner coverage, tray source, percentage of black-only printing and average print job complexity. (12) Use only with Booklet Finisher

LEXMARK COLOR LASER SUPPLIES



| Printer Models | Return Program Cartridges | | | | | | | | | | | |
|--|--|--------------------------------------|--------------------------------------|--------------------------------------|----------------------------------|--------|---------|--------|-----------------------|--------|---------|--------|
| | Extra High Yield Print/Toner Cartridge | | | | High Yield Print/Toner Cartridge | | | | Print/Toner Cartridge | | | |
| | Black | Cyan | Magenta | Yellow | Black | Cyan | Magenta | Yellow | Black | Cyan | Magenta | Yellow |
| Lexmark C520n, C530n | | | | | | | | | C520KS | C520CS | C520MS | C520YS |
| Lexmark C522n, C530n | | | | | | | | | C522KS | C522CS | C522MS | C522YS |
| Lexmark C524dn/dtn/dtn/n | | | | | C524KH | C524CH | C524MH | C524YH | C522KS | C522CS | C522MS | C522YS |
| Lexmark C532dn/n | | | | | C524KH | C524CH | C524MH | C524YH | C522KS | C522CS | C522MS | C522YS |
| Lexmark C534dn/dtn/n | | C534CX 7,000 pages ¹ | C534MK 7,000 pages ¹ | C534YX 7,000 pages ¹ | C524KH | C524CH | C524MH | C524YH | C522KS | C522CS | C522MS | C522YS |
| Lexmark C540dw/n, C543dn, X543dn | | | | | C540HK | C540HC | C540MK | C540YK | C540AK | C540AC | C540MC | C540YC |
| Lexmark C544dn/dtn/dw/n, X544dn/dtn/dw/n | C544KYG 6,000 pages ¹ | C544CYG 4,000 pages ¹ | C544MYG 4,000 pages ¹ | C544YYG 4,000 pages ¹ | C540HK | C540HC | C540MK | C540YK | C540AK | C540AC | C540MC | C540YC |
| Lexmark C546dn, X546dn, X548e/dte | C546KYG 8,000 pages ¹ | C546CYG 4,000 pages ¹ | C546MYG 4,000 pages ¹ | C546YYG 4,000 pages ¹ | C540HK | C540HC | C540MK | C540YK | C540AK | C540AC | C540MC | C540YC |
| Lexmark C734dn/dtn/dw/n, X734de | | | | | C736HK | C736HC | C736MK | C736YK | C734AK | C734AC | C734MC | C734YC |
| Lexmark C736dn/dtn/n, X736de, X738de/dte | | | | | C736HK | C736HC | C736MK | C736YK | C734AK | C734AC | C734MC | C734YC |
| Lexmark C746dn/dtn/n | | | | | C746HK | C746HC | C746MK | C746YK | C746AK | C746AC | C746MC | C746YC |
| Lexmark C748de/dte/e | | | | | C746HK | C746HC | C746MK | C746YK | C746AK | C746AC | C746MC | C746YC |
| Lexmark C750dn/dtn/dn/n/n, X750e | | | | | 10B04K | 10B04C | 10B04M | 10B04Y | 10B04K | 10B04C | 10B04M | 10B04Y |
| Lexmark C752/Ldn/Ldn/Ln, C760/dn/dtn/n | | | | | 15G04K | 15G04C | 15G04M | 15G04Y | 15G04K | 15G04C | 15G04M | 15G04Y |
| Lexmark C752/dn/dtn/n/n, C762/dn/dtn/n, X752e, X762e | | | | | 15G04K | 15G04C | 15G04M | 15G04Y | 15G04K | 15G04C | 15G04M | 15G04Y |
| Lexmark C770dn/dtn/n | | | | | C770KH | C770CH | C770MH | C770YK | C770KS | C770CS | C770MS | C770YS |
| Lexmark C772dn/dtn/n, X772e | C772KX 15,000 pages ¹ | C772CX 15,000 pages ¹ | C772MX 15,000 pages ¹ | C772YX 15,000 pages ¹ | C770KH | C770CH | C770MH | C770YK | C770KS | C770CS | C770MS | C770YS |
| Lexmark C780dn/n | | | | | C780HK | C780HC | C780MK | C780YK | C780AK | C780AC | C780MC | C780YC |
| Lexmark C782dn/dtn/n, X782e | C782KYG 15,000 pages ¹ | C782CYG 15,000 pages ¹ | C782MYG 15,000 pages ¹ | C782YYG 15,000 pages ¹ | C780HK | C780HC | C780MK | C780YK | C780AK | C780AC | C780MC | C780YC |
| Lexmark C782dn/dtn/n XL, X782e XL | C782KYG 16,500 pages ¹ | C782CYG 16,500 pages ¹ | C782MYG 16,500 pages ¹ | C782YYG 16,500 pages ¹ | C780HK | C780HC | C780MK | C780YK | C780AK | C780AC | C780MC | C780YC |
| Lexmark C792de/dte/dte/e | C792KYG 20,000 pages ¹ | C792CYG 20,000 pages ¹ | C792MYG 20,000 pages ¹ | C792YYG 20,000 pages ¹ | C792AK | C792AC | C792MC | C792YC | C792AK | C792AC | C792MC | C792YC |
| Lexmark CS310dn/n, CS410dn/dtn/n | | | | | 701HK | 701HC | 701MK | 701YK | 701K | 701C | 701M | 701Y |
| Lexmark CS510de/dte | 701KX 8,000 pages ¹ | 701CX 4,000 pages ¹ | 701MX 4,000 pages ¹ | 701YX 4,000 pages ¹ | 701HK | 701HC | 701MK | 701YK | 701K | 701C | 701M | 701Y |
| Lexmark CX310dn/n | | | | | 801K | 801C | 801M | 801Y | 801K | 801C | 801M | 801Y |
| Lexmark CX410de/dte/e | | | | | 801K | 801C | 801M | 801Y | 801K | 801C | 801M | 801Y |
| Lexmark CX510de/dte/dthe | 801KX 8,000 pages ¹ | 801CX 4,000 pages ¹ | 801MX 4,000 pages ¹ | 801YX 4,000 pages ¹ | 801K | 801C | 801M | 801Y | 801K | 801C | 801M | 801Y |
| Lexmark X746de | | | | | X746HK | X746HC | X746MK | X746YK | X746AK | X746AC | X746MC | X746YC |
| Lexmark X748de/dte | | | | | X746HK | X746HC | X746MK | X746YK | X746AK | X746AC | X746MC | X746YC |
| Lexmark X792de/dte/dtfe/dtpe/dtse | X792KYG 20,000 pages ¹ | X792CYG 20,000 pages ¹ | X792MYG 20,000 pages ¹ | X792YYG 20,000 pages ¹ | C792AK | C792AC | C792MC | C792YC | C792AK | C792AC | C792MC | C792YC |

SUPPLIES



| Printer Models | Regular Cartridges | | | | | | | | | | | |
|-----------------------------|--|------|---------|--------|----------------------------------|---------|---------|---------|-----------------------|---------|---------|---------|
| | Extra High Yield Print/Toner Cartridge | | | | High Yield Print/Toner Cartridge | | | | Print/Toner Cartridge | | | |
| | Black | Cyan | Magenta | Yellow | Black | Cyan | Magenta | Yellow | Black | Cyan | Magenta | Yellow |
| Lexmark C500n, X500n, X502n | | | | | C500H2K | C500H2C | C500H2M | C500H2Y | C500S2K | C500S2C | C500S2M | C500S2Y |
| Lexmark C510/dtn/n | | | | | 20K1403 | 20K1400 | 20K1401 | 20K1402 | 20K0503 | 20K0500 | 20K0501 | 20K0502 |

LEXMARK COLOR LASER SUPPLIES



| Printer Models | Regular Cartridges | | | | | | | | | | | | |
|--|--|--|--|--|--|---------------------------------------|---------------------------------------|---------------------------------------|--|--|--|--|--------------------------------------|
| | Extra High Yield Print/Toner Cartridge | | | | High Yield Print/Toner Cartridge | | | | Print/Toner Cartridge | | | | |
| | Black | Cyan | Magenta | Yellow | Black | Cyan | Magenta | Yellow | Black | Cyan | Magenta | Yellow | |
| Lexmark C520n, C530n | | | | | | | | | C5202KS 1,500 pages ³ | C5202CS 1,500 pages ³ | C5202MS 1,500 pages ³ | C5202YS 1,500 pages ³ | |
| Lexmark C522n, C530n | | | | | | | | | C5222KS 4,000 pages ³ | C5222CS 3,000 pages ³ | C5222MS 3,000 pages ³ | C5222YS 3,000 pages ³ | |
| Lexmark C524/dn/dtn/n/n | | | | | C5242KH 8,000 pages ³ | C5242CH 5,000 pages ³ | C5242MH 5,000 pages ³ | C5242YH 5,000 pages ³ | C5222KS 4,000 pages ³ | C5222CS 3,000 pages ³ | C5222MS 3,000 pages ³ | C5222YS 3,000 pages ³ | |
| Lexmark C532dn/n | | | | | C5242KH 5,000 pages ³ | C5242CH 5,000 pages ³ | C5242MH 5,000 pages ³ | C5242YH 5,000 pages ³ | C5222KS 4,000 pages ³ | C5222CS 3,000 pages ³ | C5222MS 3,000 pages ³ | C5222YS 3,000 pages ³ | |
| Lexmark C534dn/dtn/n | | C5342CX 7,000 pages ³ | C5342MX 7,000 pages ³ | C5342YX 7,000 pages ³ | C5242KH 8,000 pages ³ | C5242CH 5,000 pages ³ | C5242MH 5,000 pages ³ | C5242YH 5,000 pages ³ | C5222KS 4,000 pages ³ | C5222CS 3,000 pages ³ | C5222MS 3,000 pages ³ | C5222YS 3,000 pages ³ | |
| Lexmark C540dw/n, C543dn, X543dn | | | | | C540H2KG 2,500 pages ³ | C540H2CG 2,000 pages ³ | C540H2MG 2,000 pages ³ | C540H2YG 2,000 pages ³ | | | | | |
| Lexmark C544dn/dtn/dw/n, X544dn/dtn/dw/n | | C5442KG 6,000 pages ³ | C5442CG 4,000 pages ³ | C5442MG 4,000 pages ³ | C5442YG 4,000 pages ³ | C540H2KG 2,500 pages ³ | C540H2CG 2,000 pages ³ | C540H2MG 2,000 pages ³ | C540H2YG 2,000 pages ³ | | | | |
| Lexmark C546dn, X546dn, X548de/dte | | C5462KG 8,000 pages ³ | C5442CG 4,000 pages ³ | C5442MG 4,000 pages ³ | C5442YG 4,000 pages ³ | C540H2KG 2,500 pages ³ | C540H2CG 2,000 pages ³ | C540H2MG 2,000 pages ³ | C540H2YG 2,000 pages ³ | | | | |
| Lexmark C734dn/dtn/dw/n, X734de | | | | | | | | | C734A2KG 8,000 pages ³ | C734A2CG 6,000 pages ³ | C734A2MG 6,000 pages ³ | C734A2YG 6,000 pages ³ | |
| Lexmark C736dn/dtn/n, X736de, X738de/dte | | | | | | | | | C734A2KG 8,000 pages ³ | C734A2CG 6,000 pages ³ | C734A2MG 6,000 pages ³ | C734A2YG 6,000 pages ³ | |
| Lexmark C746dn/dtn/n | | | | | | | | | C746A2KG 7,000 pages ³ | C746A2CG 7,000 pages ³ | C746A2MG 7,000 pages ³ | C746A2YG 7,000 pages ³ | |
| Lexmark C748de/dte/e | | | | | | | | | C746A2KG 7,000 pages ³ | C746A2CG 7,000 pages ³ | C746A2MG 7,000 pages ³ | C746A2YG 7,000 pages ³ | |
| Lexmark C750/dn/dtn/n/n/n, X750e | | | | | | | | | 10B032K 15,000 pages ³ | 10B032C 15,000 pages ³ | 10B032M 15,000 pages ³ | 10B032Y 15,000 pages ³ | |
| Lexmark C752/Ldn/Ldn/Ln, C760/dn/dtn/n | | | | | | | | | 15G031K 6,000 pages ³ | 15G031C 6,000 pages ³ | 15G031M 6,000 pages ³ | 15G031Y 6,000 pages ³ | |
| Lexmark C752/dn/dtn/n/n, C762/dn/dtn/n, X752e, X762e | | | | | | | | | 15G032K 15,000 pages ³ | 15G032C 15,000 pages ³ | 15G032M 15,000 pages ³ | 15G032Y 15,000 pages ³ | |
| Lexmark C770dn/dtn/n | | | | | | | | | C7702KH 10,000 pages ³ | C7702CH 10,000 pages ³ | C7702MH 10,000 pages ³ | C7702YH 10,000 pages ³ | |
| Lexmark C772dn/dtn/n, X772e | | C7722KX 15,000 pages ³ | C7722CX 15,000 pages ³ | C7722MX 15,000 pages ³ | C7722YX 15,000 pages ³ | C7702KH 10,000 pages ³ | C7702CH 10,000 pages ³ | C7702MH 10,000 pages ³ | C7702YH 10,000 pages ³ | | | | |
| Lexmark C780dn/n | | | | | | | | | C780H2KG 10,000 pages ³ | C780H2CG 10,000 pages ³ | C780H2MG 10,000 pages ³ | C780H2YG 10,000 pages ³ | |
| Lexmark C782dn/dtn/n, X782e | | C7822KG 15,000 pages ³ | C7822CG 15,000 pages ³ | C7822MG 15,000 pages ³ | C7822YG 15,000 pages ³ | C780H2KG 10,000 pages ³ | C780H2CG 10,000 pages ³ | C780H2MG 10,000 pages ³ | C780H2YG 10,000 pages ³ | | | | |
| Lexmark C782dn/dtn/n XL, X782e XL | | C782L2KG 16,500 pages ³ | C782L2CG 16,500 pages ³ | C782L2MG 16,500 pages ³ | C782L2YG 16,500 pages ³ | | | | | C780A2KG 6,000 pages ³ | C780A2CG 6,000 pages ³ | C780A2MG 6,000 pages ³ | C780A2YG 6,000 pages ³ |
| Lexmark C792de/dte/dte/e | | C7922KG 20,000 pages ³ | C7922CG 20,000 pages ³ | C7922MG 20,000 pages ³ | C7922YG 20,000 pages ³ | | | | | C780A2KG 6,000 pages ³ | C780A2CG 6,000 pages ³ | C780A2MG 6,000 pages ³ | C780A2YG 6,000 pages ³ |
| Lexmark C910/dn/dtn/n/n, C912/dn/dtn/n, X912e | | | | | | | | | | | | | |
| Lexmark C920/dn/dtn/n | | | | | | | | | | | | | |
| Lexmark C925de/dte | | | | | | | | | C925H2KG 8,500 pages ³ | C925H2CG 7,500 pages ³ | C925H2MG 7,500 pages ³ | C925H2YG 7,500 pages ³ | |
| Lexmark C935dn/dtn/dtn/hdn | | | | | | | | | C930H2KG 38,000 pages ³ | C930H2CG 24,000 pages ³ | C930H2MG 24,000 pages ³ | C930H2YG 24,000 pages ³ | |
| Lexmark C950de | | C950X2KG 32,000 pages ³ | C950X2CG 22,000 pages ³ | C950X2MG 22,000 pages ³ | C950X2YG 22,000 pages ³ | | | | | | | | |
| Lexmark CS310dn/n, CS410dn/dtn/n | | | | | | | | | 700H1 700C110 4,000 pages ³ | 700H2 700C120 3,000 pages ³ | 700H3 700C130 3,000 pages ³ | 700H4 700C140 3,000 pages ³ | |
| Lexmark CS510de/dte | | 700X1 700C110 8,000 pages ³ | 700X2 700C120 4,000 pages ³ | 700X3 700C130 4,000 pages ³ | 700X4 700C140 4,000 pages ³ | | | | | | | | |
| Lexmark CX310dn/n | | | | | | | | | | | | | |
| Lexmark CX410de/dte/e | | | | | | | | | 800H1 800C110 4,000 pages ³ | 800H2 800C120 3,000 pages ³ | 800H3 800C130 3,000 pages ³ | 800H4 800C140 3,000 pages ³ | |
| Lexmark CX510de/dte/dthe | | 800X1 800C110 8,000 pages ³ | 800X2 800C120 4,000 pages ³ | 800X3 800C130 4,000 pages ³ | 800X4 800C140 4,000 pages ³ | | | | | | | | |
| Lexmark X560n | | | | | | | | | X560H2KG 10,000 pages ³ | X560H2CG 10,000 pages ³ | X560H2MG 10,000 pages ³ | X560H2YG 10,000 pages ³ | |
| Lexmark X746de | | | | | | | | | X746H2KG 12,000 pages ³ | X746A2CG 7,000 pages ³ | X746A2MG 7,000 pages ³ | X746A2YG 7,000 pages ³ | |
| Lexmark X748de/dte | | | | | | | | | X746H2KG 12,000 pages ³ | X746A2CG 7,000 pages ³ | X746A2MG 7,000 pages ³ | X746A2YG 7,000 pages ³ | |
| Lexmark X792de/dte/dtfe/dtme/dtpe/dtse | | X7922KG 20,000 pages ³ | X7922CG 20,000 pages ³ | X7922MG 20,000 pages ³ | X7922YG 20,000 pages ³ | | | | | | | | |
| Lexmark X925de | | | | | | | | | X925H2KG 8,500 pages ³ | X925H2CG 7,500 pages ³ | X925H2MG 7,500 pages ³ | X925H2YG 7,500 pages ³ | |
| Lexmark X940e, X945e | | | | | | | | | X945X2KG 36,000 pages ³ | X945X2CG 22,000 pages ³ | X945X2MG 22,000 pages ³ | X945X2YG 22,000 pages ³ | |

LEXMARK COLOR LASER SUPPLIES



| Printer Models | Regular Cartridges | | | | | | | | | | | |
|---------------------------------|---|---|---|---|----------------------------------|------|---------|--------|-----------------------|------|---------|--------|
| | Extra High Yield Print/Toner Cartridge | | | | High Yield Print/Toner Cartridge | | | | Print/Toner Cartridge | | | |
| | Black | Cyan | Magenta | Yellow | Black | Cyan | Magenta | Yellow | Black | Cyan | Magenta | Yellow |
| Lexmark X950de, X952de, X954dhe | X950X2KG 32,000 pages ⁽¹⁾ | X950X2CG 22,000 pages ⁽¹⁾ | X950X2MG 22,000 pages ⁽¹⁾ | X950X2YG 22,000 pages ⁽¹⁾ | | | | | | | | |



| Printer Models | Other Supplies | | | | | | |
|----------------|--------------------------------|----------------------|--------------|-----------------------|--------------------------------------|------------|---------|
| | Photo-conductor / Imaging Unit | Photoconductor Packs | Imaging Kits | Coating Roll / Roller | Waste Toner Bottle / Box / Container | Fuser Unit | Staples |

| | | | | | | | |
|---|--|--|--|--|--|--------------------------|---|
| Lexmark C500n, X500n, X502n | C500X2BG 120,000 images ⁽⁴⁾ | | | | C500X27G 30,000 images ⁽⁴⁾ | C500X28G 60,000 pages | |
| Lexmark C510/dtn/n | 20K0504 40,000 images ⁽⁴⁾ | | | | 20K0505 12,000 images ⁽⁴⁾ | C500X28G 60,000 pages | |
| Lexmark C520n, C522n, C524/dn/dtn/n/n, C530dn, C532dn/n, C534dn/dtn/n | C53030X 20,000 pages ⁽⁴⁾ | C53034X 20,000 pages each ⁽⁴⁾ | | | C52025X 25,000 images ⁽⁴⁾ | | |
| Lexmark C540dw/n, C543dn, C544dn/dtn/dw/n, C546dn, X543dn, X544dn/dtn/dw/n, X546dn, X548de/dte | C540X31G 30,000 pages ⁽⁴⁾ C540X32G 30,000 pages C540X33G 30,000 pages C540X34G 30,000 pages C540X35G 30,000 pages ⁽⁴⁾ | | C540X71G 30,000 pages each ⁽⁴⁾ C540X74G 30,000 pages each ⁽⁴⁾ | | C540X75G ⁽¹⁵⁾ | | |
| Lexmark C734dn/dtn/dw/n, C736dn/dtn/n, C746dn/dtn/n, C748de/dte/e, X734de, X736de, X738de/dte, X746de, X748de/dte | C734X20G 20,000 pages ⁽⁴⁾ | C734X24G 20,000 pages each ⁽⁴⁾ | | | C734X77G 25,000 pages ⁽⁴⁾ | | |
| Lexmark C750/dn/dtn/fn/n, C752/Ldn/Ldtn/Ln/dtn/fn/n, C760/dn/dtn/n, C762/dn/dtn/n, C770dn/dtn/n, C772dn/dtn/n, C780dn/n, C782dn/dn XL/dtn/dtn XL/n/n XL, X750e, X752e, X762e, X772e, X782e/e XL | | | | | 1063100 ⁽¹⁶⁾ | | 11K3188 9,000 per box |
| Lexmark C792de/dhe/dte/e, X792de/dte/dte/dtme/dtpe/dtse | | | | | C792X77G ⁽¹⁶⁾ | | 25A0013 15,000 per box |
| Lexmark C910/dn/fn/n/n, C912/dn/fn/n, C920/dn/dtn/n, X912e | 12N0773 28,000 pages ⁽¹⁾ | 12N0772 28,000 pages each ⁽¹⁾ | | C92035X 15,000 pages ⁽¹⁾ | | | 11K3188 9,000 per box |
| Lexmark C925de/dte, X925de | C925X72G 30,000 pages ⁽¹⁾ C925X73G 30,000 pages ⁽¹⁾ C925X74G 30,000 pages ⁽¹⁾ C925X75G 30,000 pages ⁽¹⁾ | | | | C925X76G 30,000 pages ⁽¹⁾ | | |
| Lexmark C935dn/dtn/dtt/hdn, X940e, X945e | C930X72G 50,000 pages ⁽¹⁾ | C930X73G 44,000 pages ⁽¹⁾ | | | C930X76G 30,000 pages ⁽¹⁾ | | 21Z0357 20,000 per box ⁽¹⁾ 25A0013 15,000 per box |
| Lexmark C950de, X950de, X952de, X954dhe | C950X71G 115,000 pages ⁽¹⁾ | C950X73G 115,000 pages ⁽¹⁾ | | | C950X76G 30,000 pages ⁽¹⁾ | | 21Z0357 20,000 per box ⁽¹⁾ 25A0013 15,000 per box |
| Lexmark CS310dn/n, CS410dn/dtn/n, CS510de/dte, CX310dn/n, CX410de/dte/e, CX510de/dhe/dthe | 70001 7000D10 40,000 pages ⁽⁴⁾ 70002 7000D20 40,000 pages ⁽⁴⁾ 70003 7000D30 40,000 pages ⁽⁴⁾ 70004 7000D40 40,000 pages ⁽⁴⁾ 700P 700CP00 40,000 pages ⁽⁴⁾ | | 70021 7000C210 40,000 pages each ⁽⁴⁾ 70025 7000C250 40,000 pages each ⁽⁴⁾ | | C540X75G ⁽¹⁵⁾ | | |

(1) Use and return empty only to Lexmark. Average continuous black or continuous composite CMY declared cartridge yield in one-sided (simplex) mode up to this number of standard pages in accordance with ISO/IEC 19798. (2) Based on approximately 5% print coverage. Use and return empty only to Lexmark. (3) Average continuous black or continuous composite CMY declared cartridge yield in one-sided (simplex) mode up to this number of standard pages in accordance with ISO/IEC 19798. (4) Based on approximately 5% print coverage. (5) Black. Includes coating roll. Based on approximately 5% print coverage. (6) Actual yield may vary according to customer usage. Based on approximately 5% print coverage. (7) Photoconductor maximum yield estimate based on 3 average letter/A4-size pages per print job. Actual Yield may vary based on other factors such as device speed, paper size and feed orientation, toner coverage, tray source, percentage of black-only printing and average print job complexity. (8) Black (9) CMY. Black (10) The yield depends on printing mode (color or black only). (11) CMY. Based on approximately 5% print coverage. (12) Black. Based on approximately 5% print coverage. (13) Page yield depends on engine speed. (14) Imaging unit maximum yield estimate based on 3 average letter/A4-size pages per print job. Actual Yield may vary based on other factors such as device speed, paper size and feed orientation, toner coverage, tray source, percentage of black-only printing and average print job complexity. (15) Use only with Booklet Finisher (16) Photoconductor maximum yield estimate based on 5 average letter/A4-size pages per print job. Actual Yield may vary based on other factors such as device speed, paper size and feed orientation, toner coverage, tray source, percentage of black-only printing and average print job complexity. (17) Imaging unit maximum yield estimate based on 3 average letter/A4-size pages per print job at approximately 5% coverage. Actual Yield may vary based on other factors such as device speed, paper size and feed orientation, toner coverage, tray source, percentage of black-only printing and average print job complexity.

LEXMARK INKJET SUPPLIES



| Printer Models | Return Program Print Cartridges | | | | Regular Print Cartridges | | | | | Multipacks | |
|--|---|---|---|---|--|--|--|--|-------|------------------------|------------------------|
| | High Yield | | Standard | | High Yield | | Standard | | Photo | Combo packs | Twin packs |
| | Black XL | Tri-Color XL | Black | Tri-Color | Black XL | Tri-Color XL | Black | Tri-Color | | | |
| Lexmark Home Copier Plus, P4330, P4350, P6250, P6350, P915, X3330, X3350 | | | | | 34XL 18C0034 | 35XL 18C0035 | 32 18C0032 | 33 18C0033 | | 32 + 33 18C0532 | 32 + 32 18C0533 |
| Lexmark P250 | | | | | | 43XL 18Y0143 | | | | | |
| Lexmark P315, P450 | | | | | | 35XL 18C0035 | | 33 18C0033 | | | |
| Lexmark P3150, P707, Z705, Z715 | | | | | | | 50 17G0050 | 20 15M0120 | | | 20 + 20 15M1375 |
| Lexmark X1150, X1185, X1250, X2250, X75, Z13, Z23, Z25, Z33, Z35, Z515, Z517, Z605, Z611, Z615, Z617, Z640, Z645, Z647 | | | | | 16 10N0016 | 26 10N0026 | 17 10N0217 | 27 10N0227 | | 16 + 26 10N0202 | 17 + 27 10N0595 |
| Lexmark X125, X4250, X63, X73, X83, X85, Z42, Z43, Z45, Z45se, Z51, Z52, Z53, Z54, Z54se, Z82 | | | | | 70 12A1970 | | | 20 15M0120 | | | 20 + 20 15M1375 |
| Lexmark X1270 | | | | | 16 10N0016, 335 pages ⁽¹⁾ | 26 10N0026, 290 pages ⁽²⁾ | 17 10N0217, 210 pages ⁽¹⁾ | 27 10N0227, 219 pages ⁽³⁾ | | 16 + 26 10N0202 | 17 + 27 10N0595 |
| Lexmark X2350, X3470, Z730, Z735 | | | | | | | | 1 18C0781 | | | 1 + 1 18C0948 |
| Lexmark X2470 | | | | | | | | 1 18C0781, 125 pages ⁽⁴⁾ | | | 1 + 1 18C0948 |
| Lexmark X2480, X3480 | | | | | | | | 2 18C0190 | | | |
| Lexmark X2500, X2530, X2550, X5070, X5075, X5320, X5340, X5410, X5495 | | | 28 18C1428, 175 pages ⁽⁵⁾ | 29 18C1429, 150 pages ⁽⁶⁾ | 34XL 18C0034, 550 pages ⁽⁷⁾ | 35XL 18C0035, 500 pages ⁽⁸⁾ | 29A 18C1528, 175 pages ⁽⁹⁾ | 29A 18C1529, 150 pages ⁽⁷⁾ | | 34XL + 35XL 18C0535 | 28 + 29 18C1590 |
| Lexmark X2580 | | | | | | | 2 18C1530, 175 pages ⁽¹⁰⁾ | 3 18C0190, 300 pages ⁽¹¹⁾ | | | |
| Lexmark X2600, X2650, X2670, Z2300, Z2320 | | | 14 18C2090, 175 pages ⁽¹²⁾ | 15 18C2110, 150 pages ⁽¹³⁾ | | | 14A 18C2080, 175 pages ⁽¹⁴⁾ | 15A 18C2100, 150 pages ⁽¹⁵⁾ | | 14 + 15 18C2239 | |
| Lexmark X2690 | | | 4 18C1974, 175 pages ⁽¹⁶⁾ | 5 18C1960, 150 pages ⁽¹⁷⁾ | | | 4A 18C1954, 175 pages ⁽¹⁸⁾ | 5A 18C1970, 150 pages ⁽¹⁹⁾ | | 4 + 5 18C2255 | |
| Lexmark X3430 | | | | 24 18C1524, 125 pages ⁽²⁰⁾ | | | | 24A 18C1624, 125 pages ⁽²¹⁾ | | | |
| Lexmark X3530, X4530, Z1410 | | | 23 18C1523, 215 Pages ⁽²²⁾ | 24 18C1524, 185 Pages ⁽²³⁾ | 34XL 18C0034, 500 Pages | 35XL 18C0035, 500 Pages | 23A 18C1623, 215 Pages | 24A 18C1624, 185 Pages ⁽²⁴⁾ | | 34XL + 35XL 18C0535 | 23 + 24 18C1571 |
| Lexmark X3550, X4550 | | | 23 18C1523, 215 pages ⁽²⁵⁾ | 24 18C1524, 185 pages ⁽²⁶⁾ | 34XL 18C0034, 500 pages ⁽²⁷⁾ | 35XL 18C0035, 500 pages ⁽²⁸⁾ | 23A 18C1623, 215 pages ⁽²⁹⁾ | 24A 18C1624, 185 pages ⁽³⁰⁾ | | 34XL + 35XL 18C0535 | 23 + 24 18C1571 |
| Lexmark X3580, Z1480 | | | | | | | 3 18C1530, 175 pages ⁽³¹⁾ | 2 18C0190, 185 pages ⁽³²⁾ | | | |
| Lexmark X3650, X4650, X5650/es, X6650, X6675, Z2420 | 36XL 18C2170, 500 pages ⁽³³⁾ | 37XL 18C2180, 500 pages ⁽³⁴⁾ | 36 18C2130, 175 pages ⁽³⁵⁾ | 37 18C2140, 150 pages ⁽³⁶⁾ | 36XLA 18C2190, 500 pages ⁽³⁷⁾ | 37XLA 18C2200, 500 pages ⁽³⁸⁾ | 36A 18C2150, 175 pages ⁽³⁹⁾ | 37A 18C2160, 150 pages ⁽⁴⁰⁾ | | 36 + 37 18C2229 | 36XL + 37XL 18C2249 |
| Lexmark X4270 | | | | | 70 12A1970, 600 pages ⁽⁴¹⁾ | | | 20 15M0120, 685 pages ⁽⁴²⁾ | | | 20 + 20 15M1375 |
| Lexmark X4850, X4875, X6570, X6575, X7550, X7675, Z1520 | | | 42 18Y0142, 220 pages ⁽⁴³⁾ | 41 18Y0141, 210 pages ⁽⁴⁴⁾ | | 43XL 18Y0144, 500 pages ⁽⁴⁵⁾ | 42A 18Y0342, 220 pages ⁽⁴⁶⁾ | 41A 18Y0341, 210 pages ⁽⁴⁷⁾ | | 43XL + 44XL 18Y0372 | |
| Lexmark X4950, X4975/ve, X9575 | | | 42 18Y0142, 220 pages ⁽⁴⁸⁾ | 41 18Y0141, 210 pages ⁽⁴⁹⁾ | | 43XL 18Y0144, 485 pages ⁽⁵⁰⁾ | 42A 18Y0342, 220 pages ⁽⁵¹⁾ | 41A 18Y0341, 210 pages ⁽⁵²⁾ | | 43XL + 44XL 18Y0372 | |
| Lexmark X5150, X6150, Z55, Z55se, Z65, Z65n, Z65p | | | | | | | 82 18L0032 | 83 18L0042 | | 82 + 83 18L0860 | 82 + 82 18L0281 |
| Lexmark X5250, X5270, X5450, X7170, X8350, Z816 | | | | | 34XL 18C0034, 500 Pages | 35XL 18C0035, 500 Pages | 32 18C0032 | 33 18C0033 | | 32 + 33 18C0532 | 32 + 32 18C0533 |
| Lexmark X5470 | | | | | 34XL 18C0034, 550 pages ⁽⁵³⁾ | 35XL 18C0035, 500 pages ⁽⁵⁴⁾ | 32 18C0032, 350 pages ⁽⁵⁵⁾ | 33 18C0033, 290 pages ⁽⁵⁶⁾ | | 32 + 33 18C0532 | 32 + 32 18C0533 |



| Printer Models | Return Program Print Cartridges | | | | Regular Print Cartridges | | | | | Multipacks | |
|-----------------------------|---------------------------------|--------------|---|---|---|---|--|--|-------|------------------------|--------------------|
| | High Yield | | Standard | | High Yield | | Standard | | Photo | Combo packs | Twin packs |
| | Black XL | Tri-Color XL | Black | Tri-Color | Black XL | Tri-Color XL | Black | Tri-Color | | | |
| Lexmark X6170 | | | | | | | 82 18L0032 475 pages ⁽¹⁾ | 83 18L0042 265 pages ⁽²⁾ | | 82 + 83 18L0860 | 82 + 82 18L0281 |
| Lexmark X7350 | | | | | 34XL 18C0034 550 pages ⁽¹⁾ | 35XL 18C0035 500 pages ⁽²⁾ | 32 18C0032 295 pages ⁽¹⁾ | 33 18C0033 270 pages ⁽²⁾ | | 32 + 33 18C0532 | 32 + 32 18C0533 |
| Lexmark X9350 | | | | | 44XL 18Y0144 540 pages ⁽¹⁾ | 43XL 18Y0143 500 pages ⁽²⁾ | | | | 43XL + 44XL 18Y0372 | |
| Lexmark Z1300, Z1320 | | | 28 18C1428 175 pages ⁽¹⁾ | 29 18C1429 150 pages ⁽²⁾ | 34XL 18C0034 500 pages ⁽¹⁾ | 35XL 18C0035 550 pages ⁽²⁾ | 26A 18C1528 175 pages ⁽¹⁾ | 29A 18C1529 150 pages ⁽²⁾ | | 34XL + 35XL 18C0535 | 28 + 29 18C1590 |
| Lexmark Z1310 | | | 28 18C1428 | 29 18C1429 | 34XL 18C0034 500 Pages | 35XL 18C0035 500 Pages | 26A 18C1528 | 29A 18C1529 | | 34XL + 35XL 18C0535 | 28 + 29 18C1590 |
| Lexmark Z1420 | | | 23 18C1523 215 pages ⁽¹⁾ | 24 18C1524 185 pages ⁽²⁾ | 34XL 18C0034 510 pages ⁽¹⁾ | 35XL 18C0035 500 pages ⁽²⁾ | 23A 18C1623 215 pages ⁽¹⁾ | 24A 18C1624 185 pages ⁽²⁾ | | 34XL + 35XL 18C0535 | 23 + 24 18C1571 |
| Lexmark Z845 | | | 28 18C1428 175 pages ⁽¹⁾ | 29 18C1429 150 pages ⁽²⁾ | 34XL 18C0034 400 pages ⁽¹⁾ | 35XL 18C0035 475 pages ⁽²⁾ | 26A 18C1528 175 pages ⁽¹⁾ | 29A 18C1529 150 pages ⁽²⁾ | | 34XL + 35XL 18C0535 | 28 + 29 18C1590 |

LEXMARK INKJET SUPPLIES



| Printer Models | Return Program Cartridges | | | | | | | | | | | |
|--|--|---|---|---|--|---|---|---|--|--|------------------------|--|
| | High Yield Ink Cartridge | | | | Ink Cartridge | | | | Multipacks | | | |
| | Black | Cyan | Magenta | Yellow | Black | Cyan | Magenta | Yellow | 2-Pack | 3-Pack | 4-Pack | |
| Lexmark Impact S301/S305, Interpret S405, Intuition S505, Interact S605, Genesis S815, S816 Genesis, Prospect Pro205, Prevail Pro705 | 100XL 14N1068 510 pages ⁽¹⁾ | 100XL 14N1069 600 pages ⁽¹⁾ | 100XL 14N1070 600 pages ⁽¹⁾ | 100XL 14N1071 600 pages ⁽¹⁾ | 100 14N0820 170 pages ⁽¹⁾ | 100 14N0900 200 pages ⁽¹⁾ | 100 14N0901 200 pages ⁽¹⁾ | 100 14N0902 200 pages ⁽¹⁾ | 100XL Black 14N0683 | 100XL C, M, Y 14N0684 100 C, M, Y 14N0685 | | |
| Lexmark OfficeEdge Pro4000/Pro5500/Pro5500t | 200XL 14L0174 2,500 pages ⁽¹⁾ | 200XL 14L0175 ⁽²⁾ 1,600 pages ⁽¹⁾ | 200XL 14L0176 ⁽³⁾ 1,600 pages ⁽¹⁾ | 200XL 14L0177 ⁽⁴⁾ 1,600 pages ⁽¹⁾ | 200 14L0173 625 pages ⁽¹⁾ | 200 14L0086 ⁽⁵⁾ 500 pages ⁽¹⁾ | 200 14L0087 ⁽⁶⁾ 500 pages ⁽¹⁾ | 200 14L0088 ⁽⁷⁾ 500 pages ⁽¹⁾ | | 200XL C, M, Y 14L0269 200 C, M, Y 14L0268 | | |
| Lexmark Prestige Pro805, Pinnacle Pro901, Platinum Pro905 | 100XL 14N1068 510 pages ⁽¹⁾ | 100XL 14N1069 600 pages ⁽¹⁾ | 100XL 14N1070 600 pages ⁽¹⁾ | 100XL 14N1071 600 pages ⁽¹⁾ | 100 14N0820 170 pages ⁽¹⁾ | 100 14N0900 200 pages ⁽¹⁾ | 100 14N0901 200 pages ⁽¹⁾ | 100 14N0902 200 pages ⁽¹⁾ | 105XL Black 14N1180 100XL Black 14N0683 | 100XL C, M, Y 14N0684 100 C, M, Y 14N0685 | 105XL Black 14N0843 | |
| Lexmark Pro715, Pro915 | 155XL 14N1619 750 pages ⁽¹⁾ | 150XL 14N1615 700 pages ⁽¹⁾ | 150XL 14N1616 700 pages ⁽¹⁾ | 150XL 14N1618 700 pages ⁽¹⁾ | 150 14N1607 200 pages ⁽¹⁾ | 150 14N1608 200 pages ⁽¹⁾ | 150 14N1609 200 pages ⁽¹⁾ | 150 14N1610 200 pages ⁽¹⁾ | 155XL Black 14N1811 150XL Black 14N1813 | 150XL C, M, Y 14N1807 150 C, M, Y 14N1805 | | |
| Lexmark S315, S415, S515 | 150XL 14N1614 750 pages ⁽¹⁾ | 150XL 14N1615 700 pages ⁽¹⁾ | 150XL 14N1616 700 pages ⁽¹⁾ | 150XL 14N1618 700 pages ⁽¹⁾ | 150 14N1607 200 pages ⁽¹⁾ | 150 14N1608 200 pages ⁽¹⁾ | 150 14N1609 200 pages ⁽¹⁾ | 150 14N1610 200 pages ⁽¹⁾ | 150XL Black 14N1813 | 150XL C, M, Y 14N1807 150 C, M, Y 14N1805 | | |



| Printer Models | Regular Cartridges | | | | | | | | |
|---|---|--|--|--|---------------|-----------|---------|--------|-----------------------|
| | High Yield Ink Cartridge | | | | Ink Cartridge | Printhead | | | |
| | Black | Cyan | Magenta | Yellow | Black | Cyan | Magenta | Yellow | |
| Lexmark Impact S301/S305, Interpret S405, Intuition S505, Interact S605, Genesis S815, S816 Genesis, Prospect Pro205, Prevail Pro705, Prestige Pro805, Pinnacle Pro901, Platinum Pro905 | 100XLA 14N1032 510 pages ⁽¹⁾ | 100XLA 14N1033 600 pages ⁽¹⁾ | 100XLA 14N1034 600 pages ⁽¹⁾ | 100XLA 14N1035 600 pages ⁽¹⁾ | | | | | 100 Series 14N1339 |
| Lexmark OfficeEdge Pro4000/Pro5500/Pro5500t | 200XLA 14L0197 2,500 pages ⁽¹⁾ | 200XLA 14L0198 1,600 pages ⁽¹⁾ | 200XLA 14L0199 1,600 pages ⁽¹⁾ | 200XLA 14L0200 1,600 pages ⁽¹⁾ | | | | | |
| Lexmark S315, S415, S515, Pro715, Pro915 | 150XLA 14N1636 750 pages ⁽¹⁾ | 150XLA 14N1642 ⁽²⁾ 700 pages ⁽¹⁾ | 150XLA 14N1646 ⁽³⁾ 700 pages ⁽¹⁾ | 150XLA 14N1650 ⁽⁴⁾ 700 pages ⁽¹⁾ | | | | | 150 Series 14N1816 |

LEXMARK DOT MATRIX SUPPLIES



| Printer Models | Ribbons | | | | |
|--|---|---|---|---|---|
| | General Purpose Ribbon 13L0034 15 million characters @ Draft mode | Standard Black Re-inking Ribbon 11A3540 4 million characters @ draft 10 pitch | High Yield Black Re-inking Ribbon 11A3550 8 million characters @ draft 10 pitch | Standard Black Re-inking Ribbon 3070166 4 million characters @ draft 10 pitch | High Yield Black Re-inking Ribbon 3070169 8 million characters @ draft 10 pitch |
| | Lexmark 2380, 2381, 2390, 2391 | | ● | | ● |
| Lexmark 2480, 2481, 2490, 2491, 2580/n, 2581/n, 2590/n, 2591/n | | ● | | ● | ● |
| Lexmark 2580+/n+, 2581+/n+, 2590+/n+, 2591+/n+ | | | | ● | ● |
| Lexmark 4227/plus | ● | | | | |

(1) Actual yield may vary according to customer usage. Up to this number of standard pages in one-sided (simplex) mode according to ISO/IEC 24711. Up to this number of black pages based on approximately 5% print coverage. (2) Actual yield may vary according to customer usage. Up to this number of standard pages in one-sided (simplex) mode according to ISO/IEC 24711. Up to this number of tri-color pages based on approximately 15% print coverage. (3) Actual yield may vary according to customer usage. Up to this number of tri-color pages based on approximately 15% print coverage. Up to this number of standard pages in one-sided (simplex) mode according to ISO/IEC 24711. (4) Actual yield may vary according to customer usage. Up to this number of standard pages in one-sided (simplex) mode according to ISO/IEC 24711. (5) Actual yield may vary according to customer usage. Up to this number of black pages based on approximately 5% print coverage. Up to this number of standard pages in one-sided (simplex) mode according to ISO/IEC 24711. (6) Use and return empty only to Lexmark. Actual yield may vary according to customer usage. Up to this number of standard pages in one-sided (simplex) mode according to ISO/IEC 24711. (7) Actual yield may vary according to customer usage. Up to this number of standard pages in one-sided (simplex) mode according to ISO/IEC 24711. (8) Actual yield may vary according to customer usage. Composite black. Up to this number of tri-color pages based on approximately 15% print coverage. Up to this number of standard pages in one-sided (simplex) mode according to ISO/IEC 24711. (9) Use and return empty only to Lexmark. Up to this number of standard pages in one-sided (simplex) mode according to ISO/IEC 24711. Actual yield may vary according to customer usage.

Lexmark Standard Service Offerings

Lexmark Service Plans

Lexmark provides a range of service offerings to meet the unique needs of our customer's businesses and to protect their investments in printing. These offerings provide the tools to keep a business moving with prompt problem resolution by Lexmark's professional technical support team.

Lexmark Service Choices

Service Options to Meet Your Business Needs

Lexmark's Warranty Service Plans include product support by telephone and online. The Technical Support Centers provide assistance by phone. Online support is available at lexmark.com via e-mail and chat. If a printer problem cannot be resolved over the phone or online, a Technical Support Center Agent will initiate steps to quickly address the matter in accordance with the type of service plan that covers the printer. Described below are various types of generally available service plans. Plan availability may vary depending on the printer model and customer location.

Lexmark printer repair service generally occurs at either the customer's location where the printer is installed or at a Lexmark Depot Repair facility. Repair service conducted at the customer location is Onsite Service. Depot Repair is conducted either as an exchange or as a return and repair.

The first step of a service action on a printer that is covered by a Lexmark Base Warranty or Extended Warranty normally occurs when the Lexmark Technical Support Center (TSC) is contacted. Upon determining that a printer requires service, an agent at the TSC will initiate the action to repair or replace the printer that has been determined to require service.

Onsite Warranty Service

An agent at Lexmark's TSC will dispatch a Lexmark Certified Service Technician to the installation location. Repair service will normally be the next business day. The Technician will repair the defective printer and ensure the printer meets Lexmark's stringent quality and performance standards.

Advanced Exchange Warranty Service

An agent at Lexmark's TSC will have a replacement printer shipped to the customer location. It will typically arrive the next business day. Depending on customer location and the type of coverage for the printer, it may take three to five business days. The customer will be informed by the Agent when delivery may be expected. Upon receipt, the packaging from the replacement printer may be used to ship the defective printer back to Lexmark following the instructions that will be provided.

Warranty Service Coverage is Always Available

Extended Warranty

For continuing peace-of-mind following the Base Warranty, service coverage may be extended for up to a total of five years on many products. Extended Warranty coverage may be purchased during the Base Warranty period, which assures the seamless continuation of Genuine Lexmark Service.

Enhanced Warranty

In many cases the type of Base Warranty Extended Warranty service may be upgraded to a higher level of coverage. When the Base Warranty on a product requires it to be returned to Lexmark, upgrade plans are normally available that provide Onsite Service.

Renewal Warranty

To ensure continuing service, a Renewal for 1-Year may be purchased when the Extended Warranty is ending. Renewals continue to be available for as long as Lexmark offers service on the product covered. To assure there is no lapse in coverage, Renewals must be purchased prior to the end of the Extended Warranty or the end of a previous Renewal period.

Post Warranty

In the event that a lapse in coverage ever occurs, Post Warranty plans are available for 1-Year to regain the peace-of-mind of having Genuine Lexmark Service on a printer. If coverage does not lapse again, a Renewal may be purchased for an additional year. This continues to be available for as long as Lexmark offers service on the product covered. Customers are encouraged to not allow coverage to lapse since it may cost more for a Post Warranty plan than an Extended Warranty or Renewal would have been.

Customized Services

Solutions that are customized to meet unique customer needs may be available. A Lexmark Representative should be contacted for details. Lexmark Global Enterprise engineers will analyze requirements and design a solution most appropriate and cost effective to meet the customer's business needs.

Options for Ordering Lexmark Service

Warranty Service Offerings are available from most Lexmark Authorized Resellers. When a Lexmark Warranty Service Agreement has been purchased, it should be registered with Lexmark and should include the Lexmark product serial number and the customer's name and location. This may be completed directly with Lexmark or through the Lexmark Authorized Reseller from whom the Warranty Service Agreement was acquired.

Consumable Parts

Maintenance Kits

Some parts within a printer naturally wear during normal usage. These "consumable parts" may include items such as fusers, transfer belts and rollers, and must be replaced periodically just like "consumable supplies", such as photoconductor drums, toner or print cartridges.

On many printers the consumable parts are "customer replaceable units" or "CRU's". Lexmark refers to, parts that require a technician to install them, as "field replaceable units" or "FRU's". To arrange for a Lexmark authorized technician to install consumable parts, contact the Lexmark Technical Support Center.

Consumable parts are generally available as "Maintenance Kits" for the convenience of replacement at the appropriate interval. The parts also may be purchased individually, however, only the Maintenance Kits are listed in this guide.

Lexmark Maintenance Kit

| MODEL | | PART # | DESCRIPTION | YIELD |
|---|--|--------|-------------|-------|
| SINGLE FUNCTION COLOR INKJET | | | | |
| Genesis S815, Impact S301/S305, Interact S065, Interpret S405, Intuition S505, Pinnacle Pro901, Platinum Pro905, Prestige Pro906, Prevail Pro705, Prospect Pro205, S816 Genesis | | | | |
| Pro715, Pro915, S315, S415, S515 | | | | |
| COLOR LASER | | | | |
| C500n, C510/dtn/n, X900n, X502n | | | | |
| C500n, X900n, X502n | | | | |
| C520n, C522n, C524/dn/dtn/n/h, C530n, C532/dn/n, C534dn/dtn/n | | | | |
| C530dn, C532dn/n, C534dn/dtn/n | | | | |
| C540dn/n, C543dn, C544dn/dtn/dw/n, C546dtn, X543dn, X544dn/dtn/dw/n, X546dtn, X549a/e/dte | | | | |
| C540dn/n, C543dn, C544dn/dtn/dw/n, C546dtn, X543dn, X544dn/dtn/dw/n, X546dtn, X549a/e/dte | | | | |
| C540dn/n, C543dn, C544dn/dtn/dw/n, C546dtn, X543dn, X544dn/dtn/dw/n, X546dtn, X549a/e/dte | | | | |
| C540dn/n, C543dn, C544dn/dtn/dw/n, C546dtn, X543dn, X544dn/dtn/dw/n, X546dtn, X549a/e/dte | | | | |
| C540dn/n, C543dn, C544dn/dtn/dw/n, C546dtn, X543dn, X544dn/dtn/dw/n, X546dtn, X549a/e/dte | | | | |
| C540dn/n, C543dn, C544dn/dtn/dw/n, C546dtn, X543dn, X544dn/dtn/dw/n, X546dtn, X549a/e/dte | | | | |
| C734dn/dtn/dw/n, C736dn/dtn/n, C746dn/dtn/n, C748a/e/dte/e, X734a/e, X736a/e, X738a/e/dte, X746a/e, X748a/e/dte | | | | |
| C734dn/dtn/dw/n, C736dn/dtn/n, C746dn/dtn/n, C748a/e/dte/e, X734a/e, X736a/e, X738a/e/dte, X746a/e, X748a/e/dte | | | | |
| C752/Ln/n, C760/Ln/dtn/dtn/n, C760/dn/dtn/n, C762/dn/dtn/n, X752a, X762a | | | | |
| C760/dn/dtn/n, C762/dtn/dtn/n, X762a | | | | |
| Lexmark 100 Series Printhead | | | | |
| Lexmark 150 Series Printhead | | | | |
| Transfer Roller | | | | |
| Transfer Unit | | | | |
| Transfer Belt Maintenance Kit | | | | |
| Fuser Maintenance Kit 110-120V | | | | |
| Transfer Belt Maintenance Kit | | | | |
| Fuser 110-120V | | | | |
| Black Developer Unit | | | | |
| Cyan Developer Unit | | | | |
| Magenta Developer Unit | | | | |
| Yellow Developer Unit | | | | |
| Transfer Belt Maintenance Kit | | | | |
| Fuser Maintenance 110-120V | | | | |
| Image Transfer Unit Maintenance Kit | | | | |
| Fuser Maintenance Kit 110-120V | | | | |

Lexmark Maintenance Kit

| MODEL | PART # | DESCRIPTION | YIELD |
|--|---------|---------------------------------------|---------------|
| COLOR LASER | | | |
| C770dn/dth/n, C772dn/dth/n, C780dn/n, C782dn/dn XL/dtr/dm XL/n/n XL, X772e, X782e XL | 40X1831 | Fuser Maintenance Kit 110-120V | 120,000 pages |
| C770dn/dth/n, C772dn/dth/n, X772e | 40X0342 | Image Transfer Unit Maintenance Kit | 120,000 pages |
| C770dn/dth/n, C772dn/dth/n, X772e | 40X1859 | Fuser Maintenance Kit 110-120V | 200,000 pages |
| C780dn/n, C782dn/dn XL/dtr/dm XL/n/n XL, X782e XL | 40X0343 | Image Transfer Unit Maintenance Kit | 120,000 pages |
| C792de/dhe/dte/e, X792de/dte/dtfe/dtime/dtpe/dtse | 40X7100 | Fuser Maintenance Kit 110-120V | 150,000 pages |
| C792de/dhe/dte/e, X792de/dte/dtfe/dtime/dtpe/dtse | 40X7103 | Transfer module Maintenance Kit | 200,000 pages |
| C792de/dhe/dte/e, X792de/dte/dtfe/dtime/dtpe/dtse | 40X7178 | MFF Pick Tires and Wear Strip | not define |
| C920/dn/dtn/n | 40X1041 | Transfer Belt Maintenance Kit | 120,000 pages |
| C920/dn/dtn/n | 40X1249 | Fuser Maintenance Kit 110-120V | 105,000 pages |
| C925de/dte, X925de | 40X6011 | Transfer Belt and Roll | 100,000 pages |
| C925de/dte, X925de | 40X6013 | Fuser Maintenance Kit 110-120V | 100,000 pages |
| C935dn/dth/dtn/h/n/n, X940e, X945e | 40X4031 | Maintenance Kit, 100K, 110-120V | 120,000 pages |
| C935dn/dth/dtn/h/n/n, X940e, X945e | 40X4032 | Maintenance Kit, 600K | 600,000 pages |
| C950de, X950de, X952dte, X954dte | 40X7540 | 160K Maintenance Kit | 160,000 pages |
| C950de, X950de, X952dte, X954dte | 40X7550 | Fuser Maintenance Kit, 320K, 110-120V | 320,000 pages |
| C950de, X950de, X952dte, X954dte | 40X7560 | 480K Maintenance Kit | 480,000 pages |
| CS510dn/n, CS410dn/dm/n, CS510de/dte, CX310dn/h, CX410de/dte/e, CX310ae/dhe/dtfe | 40X7610 | Image Transfer Unit | 85,000 pages |
| CS510dn/n, CS410dn/dm/n, CS510de/dte, CX310dn/h, CX410de/dte/e, CX310ae/dhe/dtfe | 40X7615 | Fuser Maintenance Kit, 110-120V | 85,000 pages |
| CS510dn/n, CS410dn/dm/n, CS510de/dte, CX310dn/h, CX410de/dte/e, CX310ae/dhe/dtfe | 40X7622 | Fuser, 110-120V | 85,000 pages |
| MONOCHROME LASER | | | |
| E250d/n, E350M, E362dn, E450dn | 40X2847 | Fuser Maintenance Kit 110-120V | 120,000 pages |
| E460dn/dw, E462dn, X463de, X464de, X466de/dte/dwe | 40X5400 | Fuser Maintenance Kit 110-120V | 120,000 pages |
| M5510dn | 40X6281 | M5510 Fuser Maintenance Kit, 110-120V | 200,000 pages |
| M5510de, M5610dte | 40X6454 | Fuser Maintenance Kit, 110-120V | 200,000 pages |
| M5610dn, M5610dte | 40X6433 | Fuser Maintenance Kit, 110-120V | 200,000 pages |
| M5710dn, M5711dn | 40X7582 | Transfer Roller | 300,000 pages |

Lexmark Maintenance Kit

| MODEL | PART # | DESCRIPTION | YIELD |
|--|---------|--|----------------|
| MONOCHROME LASER | | | |
| T650dn/dtn/v, T652dn/dtn/v, T654dn/dtn/v, T656de, X651 te, X652de, X654de, X656de/dte, X658de/dte/dtse/dtfe/dtme | 40X1886 | Transfer Roll Assembly | 300,000 pages |
| T650dn/dtn/v, T652dn/dtn/v, T654dn/dtn/v, T656de, X651 te, X652de, X654de, X656de/dte, X658de/dte/dtse/dtfe/dtme | 40X4308 | Pick Roll Assembly | 300,000 pages |
| T650dn/dtn/v, T652dn/dtn/v, T654dn/dtn/v, T656de, X651 te, X652de, X654de, X656de/dte, X658de/dte/dtse/dtfe/dtme | 40X4724 | X654e, X656e, X658e Fusor Maintenance Kit 110-120V | 300,000 pages |
| T650dn/dtn/v, T652dn/dtn/v, T654dn/dtn/v, T656de, X651 te, X652de, X654de, X656de/dte, X658de/dte/dtse/dtfe/dtme | 40X6952 | Dual Charge Roll Assembly | 300,000 pages |
| W820/dtn/v, X820e, X830e, X832e | 1234182 | Fuser Maintenance Kit 110-120V | 300,000 pages |
| W840/dtn/v, W850dn/v | 40X0956 | Fuser Maintenance Kit 110-120V | 300,000 pages |
| X651 te, X652de, X654de, X656de/dte, X658de/dte/dtse/dtfe/dtme | 40X3444 | ADF Platen Cushion | 300,000 pages |
| X651 te, X652de, X654de, X656de/dte, X658de/dte/dtse/dtfe/dtme | 40X4540 | ADF Pick Roll Assembly | 300,000 pages |
| X651 te, X652de, X654de, X656de/dte, X658de/dte/dtse/dtfe/dtme | 40X4635 | ADF Separator Roll and Guide | 300,000 pages |
| X651 te, X652de, X654de, X656de/dte, X658de/dte/dtse/dtfe/dtme | 40X4769 | ADF Maintenance Kit | 120,000 pages |
| MULTIFUNCTION LASER | | | |
| 3200 MFP Option, X443 MFP Option, X4500 MFP Option, X622/s, X626e, X632/e, X634dtse/e, X720, X750e, X762e, X782e | 59P0079 | Lexmark X443, X4500, 3200 MFP Option Pick Pad | 40,000 pages |
| 4600 MFP Option C772n, 4600 MFP Option C782, 4600 MFP Option T642n, C782 XL, T644n, X646ef, X772e, X782e/e XL | 40X2540 | 4600 MFP Option Pick Roller | ~120,000 pages |

Lexmark Maintenance Kit

| MODEL | PART # | DESCRIPTION | YIELD |
|---|---------|---|-----------------------|
| MULTIFUNCTION LASER | | | |
| 4600 MFP Option C772n, 4600 MFP Option C782, 4600 MFP Option T642n, C782 XL, T644n, X646ef, X772e, X782e/e XL | 40X4755 | 4600 MFP Option Separator (Pick) Roll Pad | ~40,000 pages |
| 6500e MFP Option | 16J0900 | ADF Roller Cleaning Cloth Pack | |
| 6500e MFP Option | 40X6446 | Pick Roller | 200,000 pages |
| 6500e MFP Option | 40X6376 | ADF Separator Pad | 100,000 pages |
| CX310dn/n, MX310dn | 40X6247 | ADF Separator Pad | 85,000 scanned pages |
| CX410e/dte/e, CX510e/dte/dtse, MX410de, MX510de/dne/dne/dte, MX610de, MX811de/dne/dte | 40X9108 | ADF Separator Roller | 220,000 scanned pages |
| E2610/dn, E3600/dn, X264dn, X363dn, X364dn/dw | 40X5344 | Fuser 110-120V | 120,000 pages |
| MX310dn, MX410de, MX510de, MX511de/dne/dte | 40X9054 | ADF Input Paper Tray | 200,000 pages |
| MX510de, MX511de/dne/dte | 40X9135 | Fuser Maintenance Kit, 110-120V | 200,000 pages |
| MX610de, MX611de/dne/dte | 40X9137 | Fuser Maintenance Kit, 110-120V | 20,000 pages |
| X340/n, X342n | 40X2401 | ADF Pick Roller | 20,000 pages |
| X340/n, X342n | 40X2404 | ADF Pick Roll Pad | 20,000 pages |
| X340/n, X342n | 40X3489 | ADF High Friction Pick-Roll Pad | 20,000 pages |
| X463de, X464de, X465de/dte/dwe | 40X6504 | ADF Flamber Cushion | not define |
| X463de, X464de, X465de/dte/dwe | 40X5807 | ADF Maintenance Kit | ~60,000 pages |
| X560n | 40X4860 | Fuser 110-120V | 100,000 pages |
| X560n | 40X4862 | Multipurpose feeder separator roll kit | 100,000 pages |
| X560n | 40X4865 | Multipurpose feeder feed kit | 100,000 pages |
| X560n | 40X4866 | Feed roll kit (250/650-sheet tray) | 100,000 pages |
| X560n | 40X4868 | Transfer belt | 100,000 pages |
| X560n | 40X4924 | ADF maintenance kit | 100,000 pages |
| X642e, X644e, X646dte/e | 40X4653 | ADF Pick Up Assembly | ~120,000 pages |
| X642e, X644e, X646dte/e | 40X0466 | Flatbed White Cushion | not define |
| X644e, X646dte/e | 40X0460 | ADF Maintenance Kit | not define |
| X7500 MFP Option, X820e, X830e, X832e | 12C8867 | Lexmark X7500 MFP Option Pick Pad | 60,000 pages |
| X7500 MFP Option, X820e, X830e, X832e | 12C8878 | ADF Maintenance Kit | ~40,000 pages |
| X7500 MFP Option, X820e, X830e, X832e | 59P1807 | Lexmark X7500 MFP Option High Friction Pick Pad | 60,000 pages |
| X782de/dte/dtse/dtse/dtpe/dtse | 40X7220 | ADF Maintenance Kit | 120,000 pages |

Lexmark Maintenance Kit

| MODEL | PART # | DESCRIPTION | YIELD |
|--|---------|-----------------------------------|----------------|
| MULTIFUNCTION LASER | | | |
| X850e, X852a, X854e, X860e, X862dte, X864dte | 40X0394 | Fuser Maintenance Kit 110-120V | 300,000 pages |
| X850e, X852a, X854e, X860e, X862dte, X864dte | 40X0770 | ADF Feed unit roll kit | 150,000 pages |
| X850e, X852a, X854e, X860e, X862dte, X864dte | 40X2734 | ADF Maintenance Kit | 200,000 pages |
| X925de | 40X6327 | ADF Pick Arm | 100,000 pages |
| X925de | 40X6328 | ADF Separator Roll | not define |
| X940e, X945e | 40X6432 | Flatbed Cushion | 150,000 pages |
| X950de, X952dte, X954dte | 40X4033 | ADF Maintenance Kit | 200,000 pages |
| X950de, X952dte, X954dte | 40X7530 | ADF Maintenance Kit | 200,000 pages |
| MULTIFUNCTION COLOR LASER | | | |
| C734dn/dtb/dw/n, C736dn/dtn/n, C746dn/dtn/n, C748de/dte/e, X543dn, X544dn/dtn/dw/n, X546dn, X548de/dte, X734de, X736de, X738de/dte, X746de, X748de/dte | 40X5188 | Pick Tire | ~120,000 pages |
| C734dn/dtn/dw/n, C736dn/dtn/n, C746dn/dtn/n, C748de/dte/e, X734de, X736de, X738de/dte, X746de, X748de/dte | 40X5152 | Pick Tire, Specialty Media Drawer | not define |
| C752de/dte/dte/e, X752de/dte/dte/dte/dte/dte | 40X6104 | Pick Tire for Trays | not define |
| X284dn, X363dn, X364dn/dw, X463de, X464de, X466de/dte/dte, X543dn, X544dn/dtn/dw/n, X546dn, X548de/dte | 40X7545 | ADF Separator Roll | ~60,000 pages |
| X284dn, X363dn, X364dn/dw, X463de, X464de, X466de/dte/dte, X543dn, X544dn/dtn/dw/n, X546dn, X548de/dte | 40X8419 | ADF Separator Pad | ~60,000 pages |
| X284dn, X363dn, X364dn/dw, X463de, X464de, X466de/dte/dte, X543dn, X544dn/dtn/dw/n, X546dn, X548de/dte | 40X5535 | ADF Flatbed Cushion | ~60,000 pages |
| X543dn | 40X5539 | Scanner Cover Cushion | ~60,000 pages |
| X563dn, X544dn/dtn/dw/n, X566dn, X568de/dte | 40X6470 | ADF Paper Tray | ~60,000 pages |
| X543dn, X544dn/dtn/dw/n, X546dn, X548de/dte | 40X5484 | Output Bin Extension | ~60,000 pages |
| X734de, X736de, X738de/dte, X746de, X748de/dte | 40X5167 | ADF Separator Pad | ~30,000 pages |
| X734de, X736de, X738de/dte, X746de, X748de/dte | 40X5188 | ADF Pick Assembly | ~120,000 pages |
| X734de, X736de, X738de/dte, X746de, X748de/dte | 40X5189 | ADF Pick Pad | ~200,000 pages |

Lexmark Standard Service Offerings

| MODEL | DESCRIPTION | PART # |
|--------------------|---|---------|
| COLOR LASER | | |
| C540w/n | 2-Years Total Exchange Service, Next Business Day | 2350338 |
| C540bw/n | 3-Years Total Exchange Service, Next Business Day | 2350389 |
| C540w/n | 1-Year Exchange Service Renewal, Next Business Day | 2350402 |
| C540bw/n | Upgrade to Onsite Service, Next Business Day | 2350406 |
| C540w/n | 2-Years Total Onsite Service, Next Business Day | 2350407 |
| C540bw/n | 3-Years Total Onsite Service, Next Business Day | 2350408 |
| C543dn | 1-Year Onsite Service Renewal, Next Business Day | 2350411 |
| C543dn | 2-Years Total Exchange Service, Next Business Day | 2350433 |
| C543dn | 3-Years Total Exchange Service, Next Business Day | 2350434 |
| C543dn | 1-Year Exchange Service Renewal, Next Business Day | 2350437 |
| C543dn | Upgrade to Onsite Service, Next Business Day | 2350441 |
| C543dn | 2-Years Total Onsite Service, Next Business Day | 2350442 |
| C543dn | 3-Years Total Onsite Service, Next Business Day | 2350443 |
| C543dn | 1-Year Onsite Service Renewal, Next Business Day | 2350446 |
| C544dn/dtr/dw/n | 2-Years Total Exchange Service, Next Business Day | 2350468 |
| C544dn/dtr/dw/n | 3-Years Total Exchange Service, Next Business Day | 2350469 |
| C544dn/dtr/dw/n | 1-Year Exchange Service Renewal, Next Business Day | 2350472 |
| C544dn/dtr/dw/n | Upgrade to Onsite Service, Next Business Day | 2350476 |
| C544dn/dtr/dw/n | 2-Years Total Onsite Service, Next Business Day | 2350477 |
| C544dn/dtr/dw/n | 3-Years Total Onsite Service, Next Business Day | 2350478 |
| C544dn/dtr/dw/n | 1-Year Onsite Service Renewal, Next Business Day | 2350481 |
| C546dn | 2-Years Total (1+1) Onsite Service, Next Business Day | 2352700 |
| C546dn | 3-Years Total (1+2) Onsite Service, Next Business Day | 2352701 |
| C546dn | 1-Year Onsite Service Renewal, Next Business Day | 2352704 |
| C546dn | 1-Year Exchange Service, Next Business Day | 2352872 |
| C546dn | 2-Year Exchange Service, Next Business Day | 2352873 |
| C546dn | 1-Year Exchange Service Renewal, Next Business Day | 2352876 |
| C734dn/dtr/dw/n | 2-Years Total Onsite Service, Next Business Day | 2350780 |
| C734dn/dtr/dw/n | 3-Years Total Onsite Service, Next Business Day | 2350781 |
| C734dn/dtr/dw/n | 4-Years Total Onsite Service, Next Business Day | 2350782 |
| C734dn/dtr/dw/n | 5-Years Total Onsite Service, Next Business Day | 2350783 |

Lexmark Standard Service Offerings

| MODEL | | DESCRIPTION | PART # |
|-------------------------------|--|---|---------|
| COLOR LASER | | | |
| C734dn/dtu/dtw/dn | | 1-Year Onsite Service Renewal, Next Business Day | 2350784 |
| C736dn/dtw/n | | 2-Years Total Onsite Service, Next Business Day | 2350798 |
| C736dn/dtw/n | | 3-Years Total Onsite Service, Next Business Day | 2350799 |
| C736dn/dtw/n | | 4-Years Total Onsite Service, Next Business Day | 2350800 |
| C736dn/dtw/n | | 5-Years Total Onsite Service, Next Business Day | 2350801 |
| C736dn/dtw/n | | 1-Year Onsite Service Renewal, Next Business Day | 2350802 |
| C746dn/dtw/n | | 2-Years Total (1+1) Onsite Service, Next Business Day | 2354936 |
| C746dn/dtw/n | | 3-Years Total (1+2) Onsite Service, Next Business Day | 2354937 |
| C746dn/dtw/n | | 4-Years Total (1+3) Onsite Service, Next Business Day | 2354938 |
| C746dn/dtw/n | | 5-Years Total (1+4) Onsite Service, Next Business Day | 2354939 |
| C746dn/dtw/n | | 1-Year Onsite Service Renewal, Next Business Day | 2355000 |
| C746dn/dtw/n | | 2-Years Total (1+1) Onsite Service, Next Business Day | 2355024 |
| C748de/dte/e | | 3-Years Total (1+2) Onsite Service, Next Business Day | 2355025 |
| C748de/dte/e | | 4-Years Total (1+3) Onsite Service, Next Business Day | 2355026 |
| C748de/dte/e | | 5-Years Total (1+4) Onsite Service, Next Business Day | 2355027 |
| C748de/dte/e | | 1-Year Onsite Service Renewal, Next Business Day | 2355028 |
| C780dn/n | | 1-Year Onsite Service Renewal, Next Business Day | 2346936 |
| C782dn/dn XL/dtu/dm XL/n/n XL | | 2-Years Total Onsite Service, Next Business Day | 2349404 |
| C782dn/dn XL/dtu/dm XL/n/n XL | | 3-Years Total Onsite Service, Next Business Day | 2349405 |
| C782dn/dn XL/dtu/dm XL/n/n XL | | 4-Years Total Onsite Service, Next Business Day | 2349406 |
| C792dn/dn XL/dtu/dm XL/n/n XL | | 1-Year Onsite Service Renewal, Next Business Day | 2349408 |
| C792de/dte/dte/e | | 2-Years Total Onsite Service, Next Business Day | 2353754 |
| C792de/dte/dte/e | | 3-Years Total Onsite Service, Next Business Day | 2353755 |
| C792de/dte/dte/e | | 4-Years Total Onsite Service, Next Business Day | 2353756 |
| C792de/dte/dte/e | | 5-Years Total Onsite Service, Next Business Day | 2353757 |
| C920/dn/dtu/n | | 1-Year Onsite Service Renewal, Next Business Day | 2353758 |
| C925de/dte | | 2-Years Total Onsite Service, Next Business Day | 2347608 |
| C925de/dte | | 3-Years Total Onsite Service, Next Business Day | 2353796 |
| C925de/dte | | 4-Years Total Onsite Service, Next Business Day | 2353799 |
| C925de/dte | | 5-Years Total Onsite Service, Next Business Day | 2353800 |
| C925de/dte | | | 2353801 |

Lexmark Standard Service Offerings

| MODEL | DESCRIPTION | PART # |
|-----------------------|--|---------|
| COLOR LASER | | |
| C950e/dte | 1-Year Onsite Service Renewal, Next Business Day | 2353802 |
| C9350dn/dttr/dttr/h/n | 2-Years Total Onsite Service, Next Business Day | 2349440 |
| C9350dn/dtr/dttr/h/n | 3-Years Total Onsite Service, Next Business Day | 2349441 |
| C9350dn/dtr/dttr/h/n | 4-Years Total Onsite Service, Next Business Day | 2349442 |
| C9350dn/dtr/dttr/h/n | 1-Year Onsite Service Renewal, Next Business Day | 2349444 |
| C9500e | 2-Years Total Onsite Service, Next Business Day | 2354207 |
| C9500e | 3-Years Total Onsite Service, Next Business Day | 2354208 |
| C9500e | 4-Years Total Onsite Service, Next Business Day | 2354209 |
| C9500e | 5-Years Total Onsite Service, Next Business Day | 2354210 |
| C9500e | 1-Year Onsite Service Renewal, Next Business Day | 2354211 |
| CS310dn/h | 2-Years Total (1+1) Exchange Service | 2356072 |
| CS310dn/h | 3-Years Total (1+2) Exchange Service | 2356073 |
| CS310dn/h | 4-Years Total (1+3) Exchange Service | 2356074 |
| CS310dn/h | 5-Years Total (1+4) Exchange Service | 2356075 |
| CS310dn/h | 1-Year Exchange Service Renewal | 2356076 |
| CS310dn/h | Upgrade to Onsite Service | 2356079 |
| CS310dn/h | 2-Years Total (1+1) Onsite Service | 2356080 |
| CS310dn/h | 3-Years Total (1+2) Onsite Service | 2356081 |
| CS310dn/h | 4-Years Total (1+3) Onsite Service | 2356082 |
| CS310dn/h | 5-Years Total (1+4) Onsite Service | 2356083 |
| CS310dn/h | 1-Year Onsite Service Renewal | 2356084 |
| CS410dn/dtr/h/n | 2-Years Total (1+1) Exchange Service | 2356118 |
| CS410dn/dtr/h/n | 3-Years Total (1+2) Exchange Service | 2356119 |
| CS410dn/dtr/h/n | 4-Years Total (1+3) Exchange Service | 2356120 |
| CS410dn/dtr/h/n | 5-Years Total (1+4) Exchange Service | 2356121 |
| CS410dn/dtr/h/n | 1-Year Exchange Service Renewal | 2356122 |
| CS410dn/dtr/h/n | Upgrade to Onsite Service | 2356125 |
| CS410dn/dtr/h/n | 2-Years Total (1+1) Onsite Service | 2356126 |
| CS410dn/dtr/h/n | 3-Years Total (1+2) Onsite Service | 2356127 |
| CS410dn/dtr/h/n | 4-Years Total (1+3) Onsite Service | 2356128 |
| CS410dn/dtr/h/n | 5-Years Total (1+4) Onsite Service | 2356129 |

Lexmark Standard Service Offerings

| MODEL | | DESCRIPTION | PART # |
|--|--|---|---------|
| COLOR LASER | | | |
| CS410dn/dm/n | | 1-Year Onsite Service Renewal | 2356130 |
| CS510de/dte | | 2-Years Total (1+1) Exchange Service | 2356164 |
| CS510de/dte | | 3-Years Total (1+2) Exchange Service | 2356165 |
| CS510de/dte | | 4-Years Total (1+3) Exchange Service | 2356166 |
| CS510de/dte | | 5-Years Total (1+4) Exchange Service | 2356167 |
| CS510de/dte | | 1-Year Exchange Service Renewal | 2356168 |
| CS510de/dte | | Upgrade to Onsite Service | 2356171 |
| CS510de/dte | | 2-Years Total (1+1) Onsite Service | 2356172 |
| CS510de/dte | | 3-Years Total (1+2) Onsite Service | 2356173 |
| CS510de/dte | | 4-Years Total (1+3) Onsite Service | 2356174 |
| CS510de/dte | | 5-Years Total (1+4) Onsite Service | 2356175 |
| CS510de/dte | | 1-Year Onsite Service Renewal | 2356176 |
| DOT MATRIX | | | |
| 2580+/n+, 2581+/n+, 2590+/n+, 2591+/n+ | | 25xx 3-Years Total Exchange Service, Next Business Day | 2354920 |
| 2580+/n+, 2581+/n+, 2590+/n+, 2591+/n+ | | 25xx 4-Years Total Exchange Service, Next Business Day | 2354921 |
| 2580+/n+, 2581+/n+, 2590+/n+, 2591+/n+ | | 25xx 5-Years Total Exchange Service, Next Business Day | 2354922 |
| 2580+/n+, 2581+/n+, 2590+/n+, 2591+/n+ | | 25xx 1-Year Exchange Service Renewal, Next Business Day | 2354924 |
| 2580+/n+, 2581+/n+, 2590+/n+, 2591+/n+ | | 25xx Upgrade to Onsite Service, Next Business Day | 2354927 |
| 2580+/n+, 2581+/n+, 2590+/n+, 2591+/n+ | | 25xx+ 3-Years Total Onsite Service, Next Business Day | 2354928 |
| 2580+/n+, 2581+/n+, 2590+/n+, 2591+/n+ | | 25xx+ 4-Years Total Onsite Service, Next Business Day | 2354929 |
| 2580+/n+, 2581+/n+, 2590+/n+, 2591+/n+ | | 25xx+ 5-Years Total Onsite Service, Next Business Day | 2354930 |
| 2580/n, 2581/n, 2590/n, 2591/n | | 1-Year Onsite Service Renewal, Next Business Day | 2354932 |
| 2580/n, 2581/n, 2590/n, 2591/n | | 3-Years Total Exchange Service, Next Business Day | 2348601 |
| 2580/n, 2581/n, 2590/n, 2591/n | | 4-Years Total Exchange Service, Next Business Day | 2348602 |
| 2580/n, 2581/n, 2590/n, 2591/n | | Upgrade to Onsite Service, Next Business Day | 2348641 |
| 2580/n, 2581/n, 2590/n, 2591/n | | 3-Years Total Onsite Service, Next Business Day | 2348642 |
| 2580/n, 2581/n, 2590/n, 2591/n | | 4-Years Total Onsite Service, Next Business Day | 2348643 |
| 2580/n, 2581/n, 2590/n, 2591/n | | 1-Year Onsite Service Renewal, Next Business Day | 2348646 |
| 2580/n, 2581/n, 2590/n, 2591/n | | 25xx 1-Year Exchange Service Renewal, Next Business Day | 2352166 |
| 4227 plus | | 1 Year Exchange, Next Business Day | 2346447 |
| 4227 plus | | 2 Year Exchange, Next Business Day | 2346448 |

Lexmark Standard Service Offerings

| MODEL | DESCRIPTION | PART # |
|-------------------------|--|---------|
| DOT MATRIX | | |
| 427 plus | 3-Year Exchange, Next Business Day | 2346449 |
| 427 plus | 2-Years Total Onsite Service, Next Business Day | 2346452 |
| 427 plus | 3-Years Total Onsite Service, Next Business Day | 2346453 |
| 427 plus | 4-Years Total Onsite Service, Next Business Day | 2346454 |
| 427 plus | 1-Year Onsite Exchange Extended Warranty Renewal | 2347584 |
| 427 plus | 1-Year Onsite Service Renewal, Next Business Day | 2347588 |
| 427 plus | 1-Year Exchange Extended Warranty Renewal | 2347653 |
| MONOCHROME LASER | | |
| E2600/dn | 2-Years Total Exchange Service, Next Business Day | 2350166 |
| E2600/dn | 3-Years Total Exchange Service, Next Business Day | 2350167 |
| E2600/dn | 4-Years Total Exchange Service, Next Business Day | 2350168 |
| E2600/dn | 1-Year Exchange Service Renewal, Next Business Day | 2350170 |
| E2600/dn | Upgrade to Onsite Service, Next Business Day | 2350173 |
| E2600/dn | 2-Years Total Onsite Service, Next Business Day | 2350174 |
| E2600/dn | 3-Years Total Onsite Service, Next Business Day | 2350175 |
| E2600/dn | 4-Years Total Onsite Service, Next Business Day | 2350176 |
| E2600/dn | 1-Year Onsite Service Renewal, Next Business Day | 2350178 |
| E3600/dn | 2-Years Total Exchange Service, Next Business Day | 2350208 |
| E3600/dn | 3-Years Total Exchange Service, Next Business Day | 2350209 |
| E3600/dn | 4-Years Total Exchange Service, Next Business Day | 2350210 |
| E3600/dn | 1-Year Exchange Service Renewal, Next Business Day | 2350212 |
| E3600/dn | Upgrade to Onsite Service, Next Business Day | 2350215 |
| E3600/dn | 2-Years Total Onsite Service, Next Business Day | 2350216 |
| E3600/dn | 3-Years Total Onsite Service, Next Business Day | 2350217 |
| E3600/dn | 4-Years Total Onsite Service, Next Business Day | 2350218 |
| E4600/dw, E4620n | 1-Year Onsite Service Renewal, Next Business Day | 2350220 |
| E4600/dw, E4620n | 2-Years Total Exchange Service, Next Business Day | 2350250 |
| E4600/dw, E4620n | 3-Years Total Exchange Service, Next Business Day | 2350251 |
| E4600/dw, E4620n | 4-Years Total Exchange Service, Next Business Day | 2350252 |
| E4600/dw, E4620n | 5-Years Total Exchange Service, Next Business Day | 2350253 |
| E4600/dw, E4620n | 1-Year Exchange Service Renewal, Next Business Day | 2350254 |

Lexmark Standard Service Offerings

| MODEL | DESCRIPTION | PART # |
|-------------------------|--|----------|
| MONOCHROME LASER | | |
| E4600/dw, E4620n | Upgrade to Onsite Service, Next Business Day | 2350257 |
| E4600/dw, E4620n | 2-Years Total Onsite Service, Next Business Day | 2350258 |
| E4600/dw, E4620n | 3-Years Total Onsite Service, Next Business Day | 2350259 |
| E4600/dw, E4620n | 4-Years Total Onsite Service, Next Business Day | 2350260 |
| E4600/dw, E4620n | 5-Years Total Onsite Service, Next Business Day | 2350261 |
| E4600/dw, E4620n | 1-Year Onsite Service Renewal, Next Business Day | 2350262 |
| MSS310d, MSS310dn | MSS310 2-Years Total (1+1) Exchange Service | 2355640 |
| MSS310d, MSS310dn | MSS310 3-Years Total (1+2) Exchange Service | 2355641 |
| MSS310d, MSS310dn | MSS310 4-Years Total (1+3) Exchange Service | 2355642 |
| MSS310d, MSS310dn | MSS310 5-Years Total (1+4) Exchange Service | 2355643 |
| MSS310d, MSS310dn | MSS310 1-Year Exchange Service Renewal | 2355644 |
| MSS310d, MSS310dn | MSS310 Upgrade to Onsite Service | 2355647 |
| MSS310d, MSS310dn | MSS310 2-Years Total (1+1) Onsite Service | 2355648 |
| MSS310d, MSS310dn | MSS310 3-Years Total (1+2) Onsite Service | 2355649 |
| MSS310d, MSS310dn | MSS310 4-Years Total (1+3) Onsite Service | 2355650 |
| MSS310d, MSS310dn | MSS310 5-Years Total (1+4) Onsite Service | 2355651 |
| MSS310d, MSS310dn | MSS310 1-Year Onsite Service Renewal | 2355652 |
| MSS410d, MSS410dn | MSS410 2-Years Total (1+1) Exchange Service | 2355686 |
| MSS410d, MSS410dn | MSS410 3-Years Total (1+2) Exchange Service | 2355687 |
| MSS410d, MSS410dn | MSS410 4-Years Total (1+3) Exchange Service | 2355688 |
| MSS410d, MSS410dn | MSS410 5-Years Total (1+4) Exchange Service | 2355689 |
| MSS410d, MSS410dn | MSS410 1-Year Exchange Service Renewal | 2355690 |
| MSS410d, MSS410dn | MSS410 Upgrade to Onsite Service | 2355693 |
| MSS410d, MSS410dn | MSS410 Upgrade to Onsite Service | 2355693P |
| MSS410d, MSS410dn | MSS410 2-Years Total (1+1) Onsite Service | 2355694 |
| MSS410d, MSS410dn | MSS410 3-Years Total (1+2) Onsite Service | 2355695 |
| MSS410d, MSS410dn | MSS410 4-Years Total (1+3) Onsite Service | 2355696 |
| MSS410d, MSS410dn | MSS410 5-Years Total (1+4) Onsite Service | 2355697 |
| MSS410d, MSS410dn | MSS410 1-Year Onsite Service Renewal | 2355698 |
| MSS510dn | MSS510 2-Years Total (1+1) Exchange Service | 2355732 |
| MSS510dn | MSS510 3-Years Total (1+2) Exchange Service | 2355733 |

Lexmark Standard Service Offerings

| MONOCHROME LASER | | MODEL | DESCRIPTION | PART # |
|------------------|--------------------------------------|-------|--|---------|
| | MS510dn | | MS510 4-Years Total (1+3) Exchange Service | 2355734 |
| | MS510dn | | MS510 5-Years Total (1+4) Exchange Service | 2355735 |
| | MS510dn | | MS510 1-Year Exchange Service Renewal | 2355736 |
| | MS510dn | | MS510 Upgrade to Onsite Service | 2355739 |
| | MS510dn | | MS510 2-Years Total (1+1) Onsite Service | 2355740 |
| | MS510dn | | MS510 3-Years Total (1+2) Onsite Service | 2355741 |
| | MS510dn | | MS510 4-Years Total (1+3) Onsite Service | 2355742 |
| | MS510dn | | MS510 5-Years Total (1+4) Onsite Service | 2355743 |
| | MS510dn | | MS510 1-Year Onsite Service Renewal | 2355744 |
| | MS610de, MS610dn, MS610dte, MS610dtn | | MS610 2-Years Total (1+1) Exchange Service | 2355778 |
| | MS610de, MS610dn, MS610dte, MS610dtn | | MS610 3-Years Total (1+2) Exchange Service | 2355779 |
| | MS610de, MS610dn, MS610dte, MS610dtn | | MS610 4-Years Total (1+3) Exchange Service | 2355780 |
| | MS610de, MS610dn, MS610dte, MS610dtn | | MS610 5-Years Total (1+4) Exchange Service | 2355781 |
| | MS610de, MS610dn, MS610dte, MS610dtn | | MS610 1-Year Exchange Service Renewal | 2355782 |
| | MS610de, MS610dn, MS610dte, MS610dtn | | MS610 Upgrade to Onsite Service | 2355785 |
| | MS610de, MS610dn, MS610dte, MS610dtn | | MS610 2-Years Total (1+1) Onsite Service | 2355786 |
| | MS610de, MS610dn, MS610dte, MS610dtn | | MS610 3-Years Total (1+2) Onsite Service | 2355787 |
| | MS610de, MS610dn, MS610dte, MS610dtn | | MS610 4-Years Total (1+3) Onsite Service | 2355788 |
| | MS610de, MS610dn, MS610dte, MS610dtn | | MS610 5-Years Total (1+4) Onsite Service | 2355789 |
| | MS610de, MS610dn, MS610dte, MS610dtn | | MS610 1-Year Onsite Service Renewal | 2355790 |
| | MS710dn | | MS710 2-Years Total (1+1) Exchange Service | 2355962 |
| | MS710dn | | MS710 3-Years Total (1+2) Exchange Service | 2355963 |
| | MS710dn | | MS710 4-Years Total (1+3) Exchange Service | 2355964 |
| | MS710dn | | MS710 5-Years Total (1+4) Exchange Service | 2355965 |
| | MS710dn | | MS710 1-Year Exchange Service Renewal | 2355966 |
| | MS710dn | | MS710 Upgrade to Onsite Service | 2355969 |
| | MS710dn | | MS710 2-Years Total (1+1) Onsite Service | 2355970 |
| | MS710dn | | MS710 3-Years Total (1+2) Onsite Service | 2355971 |
| | MS710dn | | MS710 4-Years Total (1+3) Onsite Service | 2355972 |
| | MS710dn | | MS710 5-Years Total (1+4) Onsite Service | 2355973 |
| | MS710dn | | MS710 1-Year Onsite Service Renewal | 2355974 |

Lexmark Standard Service Offerings

| MODEL | DESCRIPTION | PART # |
|------------------------------------|--|---------|
| MONOCHROME LASER | | |
| MS711 dn | MS711 2-Years Total (1+1) Exchange Service | 2356008 |
| MS711 dn | MS711 3-Years Total (1+2) Exchange Service | 2356009 |
| MS711 dn | MS711 4-Years Total (1+3) Exchange Service | 2356010 |
| MS711 dn | MS711 5-Years Total (1+4) Exchange Service | 2356011 |
| MS711 dn | MS711 1-Year Exchange Service Renewal | 2356012 |
| MS711 dn | MS711 Upgrade to Onsite Service | 2356015 |
| MS711 dn | MS711 2-Years Total (1+1) Onsite Service | 2356016 |
| MS711 dn | MS711 3-Years Total (1+2) Onsite Service | 2356017 |
| MS711 dn | MS711 4-Years Total (1+3) Onsite Service | 2356018 |
| MS711 dn | MS711 5-Years Total (1+4) Onsite Service | 2356019 |
| MS711 dn | MS711 1-Year Onsite Service Renewal | 2356020 |
| MS810de, MS810dn, MS810dtn, MS810n | MS810 2-Years Total (1+1) Exchange Service | 2355824 |
| MS810de, MS810dn, MS810dtn, MS810n | MS810 3-Years Total (1+2) Exchange Service | 2355825 |
| MS810de, MS810dn, MS810dtn, MS810n | MS810 4-Years Total (1+3) Exchange Service | 2355826 |
| MS810de, MS810dn, MS810dtn, MS810n | MS810 5-Years Total (1+4) Exchange Service | 2355827 |
| MS810de, MS810dn, MS810dtn, MS810n | MS810 1-Year Exchange Service Renewal | 2355828 |
| MS810de, MS810dn, MS810dtn, MS810n | MS810 Upgrade to Onsite Service | 2355831 |
| MS810de, MS810dn, MS810dtn, MS810n | MS810 2-Years Total (1+1) Onsite Service | 2355832 |
| MS810de, MS810dn, MS810dtn, MS810n | MS810 3-Years Total (1+2) Onsite Service | 2355833 |
| MS810de, MS810dn, MS810dtn, MS810n | MS810 4-Years Total (1+3) Onsite Service | 2355834 |
| MS810de, MS810dn, MS810dtn, MS810n | MS810 5-Years Total (1+4) Onsite Service | 2355835 |
| MS810de, MS810dn, MS810dtn, MS810n | MS810 1-Year Onsite Service Renewal | 2355836 |
| MS811 dn, MS811dtn, MS811n | MS811 2-Years Total (1+1) Exchange Service | 2355870 |
| MS811 dn, MS811dtn, MS811n | MS811 3-Years Total (1+2) Exchange Service | 2355871 |
| MS811 dn, MS811dtn, MS811n | MS811 4-Years Total (1+3) Exchange Service | 2355872 |
| MS811 dn, MS811dtn, MS811n | MS811 5-Years Total (1+4) Exchange Service | 2355873 |
| MS811 dn, MS811dtn, MS811n | MS811 1-Year Exchange Service Renewal | 2355874 |
| MS811 dn, MS811dtn, MS811n | MS811 Upgrade to Onsite Service | 2355877 |
| MS811 dn, MS811dtn, MS811n | MS811 2-Years Total (1+1) Onsite Service | 2355878 |
| MS811 dn, MS811dtn, MS811n | MS811 3-Years Total (1+2) Onsite Service | 2355879 |
| MS811 dn, MS811dtn, MS811n | MS811 4-Years Total (1+3) Onsite Service | 2355880 |

Lexmark Standard Service Offerings

| MODEL | DESCRIPTION | PART # |
|---------------------------|--|---------|
| MONOCHROME LASER | | |
| MS811dn, MS811dtn, MS811n | MS811 5-Years Total (1+4) Onsite Service | 2356881 |
| MS811dn, MS811dtn, MS811n | MS811 1-Year Onsite Service Renewal | 2356882 |
| MS812de, MS812dn, MS812dm | MS812 2-Years Total (1+1) Exchange Service | 2356916 |
| MS812de, MS812dn, MS812dm | MS812 3-Years Total (1+2) Exchange Service | 2356917 |
| MS812de, MS812dn, MS812dm | MS812 4-Years Total (1+3) Exchange Service | 2356918 |
| MS812de, MS812dn, MS812dm | MS812 5-Years Total (1+4) Exchange Service | 2356919 |
| MS812de, MS812dn, MS812dm | MS812 1-Year Exchange Service Renewal | 2356920 |
| MS812de, MS812dn, MS812dm | MS812 Upgrade to Onsite Service | 2356923 |
| MS812de, MS812dn, MS812dm | MS812 2-Years Total (1+1) Onsite Service | 2356924 |
| MS812de, MS812dn, MS812dm | MS812 3-Years Total (1+2) Onsite Service | 2356925 |
| MS812de, MS812dn, MS812dm | MS812 4-Years Total (1+3) Onsite Service | 2356926 |
| MS812de, MS812dn, MS812dm | MS812 5-Years Total (1+4) Onsite Service | 2356927 |
| MS812de, MS812dn, MS812dm | MS812 1-Year Onsite Service Renewal | 2356928 |
| T640/dtn/dttn/n/n | 1 Year Exchange Extended Warranty Renewal | 2348027 |
| T640/dtn/dttn/n/n | 1 Year Onsite Exchange Extended Warranty Renewal | 2348030 |
| T640/dtn/dttn/n/n | 1-Year Onsite Service Renewal, Next Business Day | 2348064 |
| T642/dttn/n/n | 1 Year Onsite Exchange Extended Warranty Renewal | 2348021 |
| T642/dttn/n/n | 1 Year Exchange Extended Warranty Renewal | 2348025 |
| T642/dttn/n/n | 1-Year Onsite Service Renewal, Next Business Day | 2348066 |
| T644/dttn/n/n | 1 Year Exchange Extended Warranty Renewal | 2348011 |
| T644/dttn/n/n | 1 Year Onsite Exchange Extended Warranty Renewal | 2348012 |
| T650dn/dttn/n | 1-Year Onsite Service Renewal, Next Business Day | 2348068 |
| T650dn/dttn/n | 2-Years Total Exchange Service, Next Business Day | 2352833 |
| T650dn/dttn/n | 3-Years Total Exchange Service, Next Business Day | 2352835 |
| T650dn/dttn/n | 4-Years Total Exchange Service, Next Business Day | 2352836 |
| T650dn/dttn/n | 5-Years Total Exchange Service, Next Business Day | 2352837 |
| T650dn/dttn/n | 1-Year Exchange Service Renewal, Next Business Day | 2352837 |
| T650dn/dttn/n | Upgrade to Onsite Service, Next Business Day | 2352837 |
| T650dn/dttn/n | 2-Years Total Onsite Service, Next Business Day | 2353002 |
| T650dn/dttn/n | 3-Years Total Onsite Service, Next Business Day | 2353003 |
| T650dn/dttn/n | 4-Years Total Onsite Service, Next Business Day | 2353004 |

Lexmark Standard Service Offerings

| MODEL | DESCRIPTION | PART # |
|-------------------------|---|---------|
| MONOCHROME LASER | | |
| T650dn/dtu/n | 5-Years Total Onsite Service, Next Business Day | 2350305 |
| T650dn/dtu/n | 1-Year Onsite Service Renewal, Next Business Day | 2350306 |
| T652dn/dtu/n | 2-Years Total Exchange Service, Next Business Day | 2350328 |
| T652dn/dtu/n | 3-Years Total Exchange Service, Next Business Day | 2350329 |
| T652dn/dtu/n | 4-Years Total Exchange Service, Next Business Day | 2350330 |
| T652dn/dtu/n | 5-Years Total Exchange Service, Next Business Day | 2350331 |
| T652dn/dtu/n | 1-Year Exchange Service Renewal, Next Business Day | 2350332 |
| T652dn/dtu/n | Upgrade to Onsite Service, Next Business Day | 2350336 |
| T652dn/dtu/n | 2-Years Total Onsite Service, Next Business Day | 2350337 |
| T652dn/dtu/n | 3-Years Total Onsite Service, Next Business Day | 2350338 |
| T652dn/dtu/n | 4-Years Total Onsite Service, Next Business Day | 2350339 |
| T652dn/dtu/n | 5-Years Total Onsite Service, Next Business Day | 2350340 |
| T652dn/dtu/n | 1-Year Onsite Service Renewal, Next Business Day | 2350341 |
| T654dn/dtu/n | 2-Years Total Exchange Service, Next Business Day | 2350363 |
| T654dn/dtu/n | 3-Years Total Exchange Service, Next Business Day | 2350364 |
| T654dn/dtu/n | 4-Years Total Exchange Service, Next Business Day | 2350365 |
| T654dn/dtu/n | 5-Years Total Exchange Service, Next Business Day | 2350366 |
| T654dn/dtu/n | 1-Year Exchange Service Renewal, Next Business Day | 2350367 |
| T654dn/dtu/n | Upgrade to Onsite Service, Next Business Day | 2350371 |
| T654dn/dtu/n | 2-Years Total Onsite Service, Next Business Day | 2350372 |
| T654dn/dtu/n | 3-Years Total Onsite Service, Next Business Day | 2350373 |
| T654dn/dtu/n | 4-Years Total Onsite Service, Next Business Day | 2350374 |
| T654dn/dtu/n | 5-Years Total Onsite Service, Next Business Day | 2350375 |
| T654dn/dtu/n | 1-Year Onsite Service Renewal, Next Business Day | 2350376 |
| T654dn/dtu/n | 2-Years Total (1+1) Onsite Service, Next Business Day | 2352727 |
| T656dn | 3-Years Total (1+2) Onsite Service, Next Business Day | 2352728 |
| T656dn | 4-Years Total (1+3) Onsite Service, Next Business Day | 2352729 |
| T656dn | 5-Years Total (1+4) Onsite Service, Next Business Day | 2352730 |
| T656dn | 1-Year Onsite Service Renewal, Next Business Day | 2352731 |
| W840/dtu/n | 1-Year Onsite Service Renewal, Next Business Day | 2347640 |
| W850dn/n | 2-Years Total (1+1) Onsite Service, Next Business Day | 2351516 |

Lexmark Standard Service Offerings

| MODEL | DESCRIPTION | PART # |
|--|---|---------|
| MONOCHROME LASER | | |
| W8500n/n | 3-Years Total (1+2) Onsite Service, Next Business Day | 2351517 |
| W8500n/n | 4-Years Total (1+3) Onsite Service, Next Business Day | 2351518 |
| W8500n/n | 5-Years Total (1+4) Onsite Service, Next Business Day | 2351519 |
| W8500n/n | 1-Year Onsite Service Renewal, Next Business Day | 2351520 |
| MULTIFUNCTION LASER | | |
| 4600 MFP Option C772n, 4600 MFP Option C782, 4600 MFP Option T642n, C782 XL, T644n | 1-Year Exchange, Next Business Day | 2348335 |
| 4600 MFP Option C772n, 4600 MFP Option C782, 4600 MFP Option T642n, C782 XL, T644n | 2-Year Exchange, Next Business Day | 2348336 |
| 4600 MFP Option C772n, 4600 MFP Option C782, 4600 MFP Option T642n, C782 XL, T644n | 1-Year Renewal Exchange Extended Warranty | 2348344 |
| 4600 MFP Option C772n, 4600 MFP Option C782, 4600 MFP Option T642n, C782 XL, T644n | 1-Year Renewal Onsite Exchange | 2348346 |
| 6500e MFP Option | 2-Years Total Onsite Service, Next Business Day | 2354347 |
| 6500e MFP Option | 3-Years Total Onsite Service, Next Business Day | 2354348 |
| 6500e MFP Option | 4-Years Total Onsite Service, Next Business Day | 2354349 |
| 6500e MFP Option | 5-Years Total Onsite Service, Next Business Day | 2354350 |
| 6500e MFP Option | 1-Year Onsite Service Renewal, Next Business Day | 2354351 |
| CX310dn/n | 2-Years Total (1+1) Onsite Service | 2356210 |
| CX310dn/n | 3-Years Total (1+2) Onsite Service | 2356211 |
| CX310dn/n | 4-Years Total (1+3) Onsite Service | 2356212 |
| CX310dn/n | 5-Years Total (1+4) Onsite Service | 2356213 |
| CX310dn/n | 1-Year Onsite Service Renewal | 2356214 |
| CX410de/dte/e | 2-Years Total (1+1) Onsite Service | 2356246 |
| CX410de/dte/e | 3-Years Total (1+2) Onsite Service | 2356249 |
| CX410de/dte/e | 4-Years Total (1+3) Onsite Service | 2356250 |
| CX410de/dte/e | 5-Years Total (1+4) Onsite Service | 2356251 |
| CX410de/dte/e | 1-Year Onsite Service Renewal | 2356252 |
| CX510de/dte/dthe | 2-Years Total (1+1) Onsite Service | 2356286 |
| CX510de/dte/dthe | 3-Years Total (1+2) Onsite Service | 2356287 |
| CX510de/dte/dthe | 4-Years Total (1+3) Onsite Service | 2356288 |

Lexmark Standard Service Offerings

| MODEL | DESCRIPTION | PART # |
|----------------------------|--------------------------------------|---------|
| MULTIFUNCTION LASER | | |
| CX510de/dtwe/dtfe | 5-Years Total (1+4) Onsite Service | 2356289 |
| CX510de/dtwe/dtfe | 1-Year Onsite Service Renewal | 2356290 |
| MX310dn | 2-Years Total (1+1) Onsite Service | 2355488 |
| MX310dn | 3-Years Total (1+2) Onsite Service | 2355489 |
| MX310dn | 4-Years Total (1+3) Onsite Service | 2355490 |
| MX310dn | 5-Years Total (1+4) Onsite Service | 2355491 |
| MX310dn | 1-Year Onsite Service Renewal | 2355492 |
| MX310dn | 2-Years Total (1+1) Exchange Service | 2356054 |
| MX310dn | 3-Years Total (1+2) Exchange Service | 2356055 |
| MX310dn | 4-Years Total (1+3) Exchange Service | 2356056 |
| MX310dn | 5-Years Total (1+4) Exchange Service | 2356057 |
| MX310dn | 1-Year Exchange Service Renewal | 2356058 |
| MX310dn | Upgrade to Onsite Service | 2356061 |
| MX410de | 2-Years Total (1+1) Onsite Service | 2355526 |
| MX410de | 3-Years Total (1+2) Onsite Service | 2355527 |
| MX410de | 4-Years Total (1+3) Onsite Service | 2355528 |
| MX410de | 5-Years Total (1+4) Onsite Service | 2355529 |
| MX410de | 1-Year Onsite Service Renewal | 2355530 |
| MX410de | 2-Years Total (1+1) Exchange Service | 2356063 |
| MX410de | 3-Years Total (1+2) Exchange Service | 2356064 |
| MX410de | 4-Years Total (1+3) Exchange Service | 2356065 |
| MX410de | 5-Years Total (1+4) Exchange Service | 2356066 |
| MX410de | 1-Year Exchange Service Renewal | 2356067 |
| MX410de | Upgrade to Onsite Service | 2356070 |
| MX510de, MX510de/dtwe/dtfe | 2-Years Total (1+1) Onsite Service | 2355564 |
| MX510de, MX510de/dtwe/dtfe | 3-Years Total (1+2) Onsite Service | 2355565 |
| MX510de, MX510de/dtwe/dtfe | 4-Years Total (1+3) Onsite Service | 2355566 |
| MX510de, MX510de/dtwe/dtfe | 5-Years Total (1+4) Onsite Service | 2355567 |
| MX510de, MX510de/dtwe/dtfe | 1-Year Onsite Service Renewal | 2355568 |
| MX610de, MX610de/dtwe/dtfe | 2-Years Total (1+1) Onsite Service | 2355602 |
| MX610de, MX610de/dtwe/dtfe | 3-Years Total (1+2) Onsite Service | 2355603 |

Lexmark Standard Service Offerings

| MODEL | DESCRIPTION | PART # |
|----------------------------|--|---------|
| MULTIFUNCTION LASER | | |
| X204n | Upgrade to Onsite Service, Next Business Day | 2351465 |
| X204n | 2-Years Total Onsite Service, Next Business Day | 2351466 |
| X204n | 3-Years Total Onsite Service, Next Business Day | 2351467 |
| X204n | 1-Year Onsite Service Renewal, Next Business Day | 2351470 |
| X264dn | 2-Years Total Onsite Service, Next Business Day | 2350932 |
| X264dn | 3-Years Total Onsite Service, Next Business Day | 2350933 |
| X264dn | 1-Year Onsite Service Renewal, Next Business Day | 2350936 |
| X340n | 1-Year Onsite Service Renewal, Next Business Day | 2346735 |
| X342n | 1-Year Onsite Service Renewal, Next Business Day | 2346732 |
| X363dn | 2-Years Total Onsite Service, Next Business Day | 2350974 |
| X363dn | 3-Years Total Onsite Service, Next Business Day | 2350975 |
| X363dn | 1-Year Onsite Service Renewal, Next Business Day | 2350978 |
| X364dn/dw | 2-Years Total Onsite Service, Next Business Day | 2351016 |
| X364dn/dw | 3-Years Total Onsite Service, Next Business Day | 2351017 |
| X364dn/dw | 1-Year Onsite Service Renewal, Next Business Day | 2351020 |
| X4630e | 2-Years Total Onsite Service, Next Business Day | 2350870 |
| X4630e | 3-Years Total Onsite Service, Next Business Day | 2350871 |
| X4630e | 1-Year Onsite Service Renewal, Next Business Day | 2350872 |
| X4630e | 2-Years Total Onsite Service, Next Business Day | 2350873 |
| X4630e | 3-Years Total Onsite Service, Next Business Day | 2350874 |
| X4640e | 1-Year Onsite Service Renewal, Next Business Day | 2350888 |
| X4640e | 2-Years Total Onsite Service, Next Business Day | 2350889 |
| X4640e | 3-Years Total Onsite Service, Next Business Day | 2350890 |
| X4640e | 1-Year Onsite Service Renewal, Next Business Day | 2350891 |
| X4640e | 2-Years Total Onsite Service, Next Business Day | 2350892 |
| X4660e/dte/dwe | 1-Year Onsite Service Renewal, Next Business Day | 2350906 |
| X4660e/dte/dwe | 2-Years Total Onsite Service, Next Business Day | 2350907 |
| X4660e/dte/dwe | 3-Years Total Onsite Service, Next Business Day | 2350908 |
| X4660e/dte/dwe | 4-Years Total Onsite Service, Next Business Day | 2350909 |
| X4660e/dte/dwe | 5-Years Total Onsite Service, Next Business Day | 2350910 |
| X543dn | 1-Year Onsite Service Renewal, Next Business Day | 2350603 |
| X543dn | 2-Years Total Onsite Service, Next Business Day | 2350603 |

Lexmark Standard Service Offerings

| MODEL | DESCRIPTION | PART # |
|-------------------------------|---|---------|
| MULTIFUNCTION LASER | | |
| X543dn | 3-Years Total Onsite Service, Next Business Day | 2350504 |
| X543dn | 1-Year Onsite Service Renewal, Next Business Day | 2350507 |
| X544dn/dtn/dw/n | 2-Years Total Onsite Service, Next Business Day | 2350521 |
| X544dn/dtn/dw/n | 3-Years Total Onsite Service, Next Business Day | 2350522 |
| X544dn/dtn/dw/n | 1-Year Onsite Service Renewal, Next Business Day | 2350525 |
| X546dn | 2-Years Total (1+1) Onsite Service, Next Business Day | 2352754 |
| X546dn | 3-Years Total (1+2) Onsite Service, Next Business Day | 2352755 |
| X546dn | 1-Year Onsite Service Renewal, Next Business Day | 2352758 |
| X548dn/dte | 2-Years Total Onsite Service, Next Business Day | 2354319 |
| X548dn/dte | 3-Years Total Onsite Service, Next Business Day | 2354320 |
| X548dn/dte | 4-Years Total Onsite Service, Next Business Day | 2354321 |
| X548dn/dte | 5-Years Total Onsite Service, Next Business Day | 2354322 |
| X548dn/dte | 1-Year Onsite Service Renewal, Next Business Day | 2354323 |
| X560n | 1-Year Onsite Service Renewal, Next Business Day | 2348758 |
| X642e | 1-Year Onsite Service Renewal, Next Business Day | 2348761 |
| X644e | 1-Year Onsite Service Renewal, Next Business Day | 2348317 |
| X646dn/e | 1-Year Onsite Service Renewal, Next Business Day | 2348330 |
| X646ef | 1-Year Onsite Service Renewal, Next Business Day | 2348304 |
| X651de, X652de | 2-Years Total Onsite Service, Next Business Day | 2350539 |
| X651de, X652de | 3-Years Total Onsite Service, Next Business Day | 2350540 |
| X651de, X652de | 4-Years Total Onsite Service, Next Business Day | 2350541 |
| X651de, X652de | 5-Years Total Onsite Service, Next Business Day | 2350542 |
| X651de, X652de | 1-Year Onsite Service Renewal, Next Business Day | 2350543 |
| X654de, X656de/dte | 2-Years Total Onsite Service, Next Business Day | 2350557 |
| X654de, X656de/dte | 3-Years Total Onsite Service, Next Business Day | 2350558 |
| X654de, X656de/dte | 4-Years Total Onsite Service, Next Business Day | 2350559 |
| X654de, X656de/dte | 5-Years Total Onsite Service, Next Business Day | 2350560 |
| X654de, X656de/dte | 1-Year Onsite Service Renewal, Next Business Day | 2350561 |
| X658de/dte/dtme/dte/dtfe/dtme | 2-Years Total Onsite Service, Next Business Day | 2350575 |
| X658de/dte/dtme/dte/dtfe/dtme | 3-Years Total Onsite Service, Next Business Day | 2350576 |
| X658de/dte/dtme/dte/dtfe/dtme | 4-Years Total Onsite Service, Next Business Day | 2350577 |

Lexmark Standard Service Offerings

| MODEL | DESCRIPTION | PART # |
|-------------------------------|---|---------|
| MULTIFUNCTION LASER | | |
| X6580e/dfe/dtme/dte/dtfe/dtme | 5-Years Total Onsite Service, Next Business Day | 2350578 |
| X6580e/dfe/dtme/dte/dtfe/dtme | 1-Year Onsite Service Renewal, Next Business Day | 2350579 |
| X734de | 2-Years Total Onsite Service, Next Business Day | 2350816 |
| X734de | 3-Years Total Onsite Service, Next Business Day | 2350817 |
| X734de | 4-Years Total Onsite Service, Next Business Day | 2350818 |
| X734de | 5-Years Total Onsite Service, Next Business Day | 2350819 |
| X734de | 1-Year Onsite Service Renewal, Next Business Day | 2350820 |
| X736de | 2-Years Total Onsite Service, Next Business Day | 2350834 |
| X736de | 3-Years Total Onsite Service, Next Business Day | 2350835 |
| X736de | 4-Years Total Onsite Service, Next Business Day | 2350836 |
| X736de | 5-Years Total Onsite Service, Next Business Day | 2350837 |
| X738de/dte | 1-Year Onsite Service Renewal, Next Business Day | 2350838 |
| X738de/dte | 2-Years Total Onsite Service, Next Business Day | 2350852 |
| X738de/dte | 3-Years Total Onsite Service, Next Business Day | 2350853 |
| X738de/dte | 4-Years Total Onsite Service, Next Business Day | 2350854 |
| X738de/dte | 5-Years Total Onsite Service, Next Business Day | 2350855 |
| X746de | 1-Year Onsite Service Renewal, Next Business Day | 2350856 |
| X746de | 2-Years Total (1+1) Onsite Service, Next Business Day | 2355052 |
| X746de | 3-Years Total (1+2) Onsite Service, Next Business Day | 2355053 |
| X746de | 4-Years Total (1+3) Onsite Service, Next Business Day | 2355054 |
| X746de | 5-Years Total (1+4) Onsite Service, Next Business Day | 2355055 |
| X748de/dte | 1-Year Onsite Service Renewal, Next Business Day | 2355056 |
| X748de/dte | 2-Years Total (1+1) Onsite Service, Next Business Day | 2355080 |
| X748de/dte | 3-Years Total (1+2) Onsite Service, Next Business Day | 2355081 |
| X748de/dte | 4-Years Total (1+3) Onsite Service, Next Business Day | 2355082 |
| X748de/dte | 5-Years Total (1+4) Onsite Service, Next Business Day | 2355083 |
| X782e/xl | 1-Year Onsite Service Renewal, Next Business Day | 2355084 |
| X782e/xl | 2-Years Total Onsite Service, Next Business Day | 2349416 |
| X782e/xl | 3-Years Total Onsite Service, Next Business Day | 2349417 |
| X782e/xl | 4-Years Total Onsite Service, Next Business Day | 2349418 |
| X782e/xl | 1-Year Onsite Service Renewal, Next Business Day | 2349420 |

Lexmark Standard Service Offerings

| MODEL | DESCRIPTION | PART # |
|---------------------------------|---|---------|
| MULTIFUNCTION LASER | | |
| X7920e/d/e/dt/e/dt/e/dt/e/dt/se | 2-Years Total Onsite Service, Next Business Day | 2353776 |
| X7920e/d/e/dt/e/dt/e/dt/e/dt/se | 3-Years Total Onsite Service, Next Business Day | 2353777 |
| X7920e/d/e/dt/e/dt/e/dt/e/dt/se | 4-Years Total Onsite Service, Next Business Day | 2353778 |
| X7920e/d/e/dt/e/dt/e/dt/e/dt/se | 5-Years Total Onsite Service, Next Business Day | 2353779 |
| X7920e/d/e/dt/e/dt/e/dt/e/dt/se | 1-Year Onsite Service Renewal, Next Business Day | 2353780 |
| X850e | 1-Year Onsite Service (or 600,000 Impressions) Renewal, Next Business Day | 2348412 |
| X852e | 1-Year Onsite Service (or 600,000 Impressions) Renewal, Next Business Day | 2348425 |
| X854e | 1-Year Onsite Service (or 600,000 Impressions) Renewal, Next Business Day | 2348438 |
| X8600e | X860e 2-Years Total (1+1) Onsite Service, Next Business Day | 2351544 |
| X8600e | X860e 4-Years Total (1+3) Onsite Service, Next Business Day | 2351545 |
| X8600e | X860e 5-Years Total (1+4) Onsite Service, Next Business Day | 2351546 |
| X8600e | X860e 1-Year Onsite Service Renewal, Next Business Day | 2351547 |
| X8620e | X862e 2-Years Total (1+1) Onsite Service, Next Business Day | 2351548 |
| X8620e | X862e 3-Years Total (1+2) Onsite Service, Next Business Day | 2351572 |
| X8620e | X862e 4-Years Total (1+3) Onsite Service, Next Business Day | 2351573 |
| X8620e | X862e 5-Years Total (1+4) Onsite Service, Next Business Day | 2351574 |
| X8620e | X862e 1-Year Onsite Service Renewal, Next Business Day | 2351575 |
| X8640e | X864e 2-Years Total (1+1) Onsite Service, Next Business Day | 2351576 |
| X8640e | X864e 3-Years Total (1+2) Onsite Service, Next Business Day | 2351600 |
| X8640e | X864e 4-Years Total (1+3) Onsite Service, Next Business Day | 2351601 |
| X8640e | X864e 5-Years Total (1+4) Onsite Service, Next Business Day | 2351602 |
| X8640e | X864e 1-Year Onsite Service Renewal, Next Business Day | 2351603 |
| X9250e | 2-Years Total Onsite Service, Next Business Day | 2351604 |
| X9250e | 3-Years Total Onsite Service, Next Business Day | 2353820 |
| X9250e | 4-Years Total Onsite Service, Next Business Day | 2353821 |
| X9250e | 5-Years Total Onsite Service, Next Business Day | 2353822 |
| X9250e | 1-Year Onsite Service Renewal, Next Business Day | 2353823 |
| X940e, X945e | 2-Years Total Onsite Service, Next Business Day | 2353824 |
| X940e, X945e | 3-Years Total Onsite Service, Next Business Day | 2349452 |
| X940e, X945e | 4-Years Total Onsite Service, Next Business Day | 2349453 |
| X940e, X945e | | 2349454 |

Lexmark Standard Service Offerings

| MODEL | DESCRIPTION | PART # |
|----------------------------|--|---------|
| MULTIFUNCTION LASER | | |
| X940e, X946e | | |
| X9500e | 1-Year Onsite Service Renewal, Next Business Day | 2349456 |
| X9500e | 2-Years Total Onsite Service, Next Business Day | 2354235 |
| X9500e | 3-Years Total Onsite Service, Next Business Day | 2354236 |
| X9500e | 4-Years Total Onsite Service, Next Business Day | 2354237 |
| X9500e | 5-Years Total Onsite Service, Next Business Day | 2354238 |
| X9500e | 1-Year Onsite Service Renewal, Next Business Day | 2354239 |
| X9520e | 2-Years Total Onsite Service, Next Business Day | 2354263 |
| X9520e | 3-Years Total Onsite Service, Next Business Day | 2354264 |
| X9520e | 4-Years Total Onsite Service, Next Business Day | 2354265 |
| X9520e | 5-Years Total Onsite Service, Next Business Day | 2354266 |
| X9540e | 1-Year Onsite Service Renewal, Next Business Day | 2354267 |
| X9540e | 2-Years Total Onsite Service, Next Business Day | 2354291 |
| X9540e | 3-Years Total Onsite Service, Next Business Day | 2354292 |
| X9540e | 4-Years Total Onsite Service, Next Business Day | 2354293 |
| X9540e | 5-Years Total Onsite Service, Next Business Day | 2354294 |
| X9540e | 1-Year Onsite Service Renewal, Next Business Day | 2354295 |

*This recycled paper was selected by Lexmark in its concern for environment protection and biodiversity.
Document printed with vegetable inks.
Specifications are subject to change without notice. Lexmark, Lexmark with diamond design is trademark of Lexmark International, Inc.
registered in the United States and or other countries. All other trademarks are the properties of their respective owners.*



NTW00213.US_EN - 05/04/2013